



US00D945161S

(12) **United States Design Patent**
Cooper et al.

(10) **Patent No.:** **US D945,161 S**
(45) **Date of Patent:** **** Mar. 8, 2022**

(54) **CONTAINER**

(71) Applicant: **WVC Holdings, Inc.**, Denver, CO (US)

(72) Inventors: **Jeremy Cooper**, Denver, CO (US);
Jeremiah Buck, Denver, CO (US);
Timothy Hanley, Denver, CO (US);
Zachariah Johnson, Denver, CO (US)

(73) Assignee: **WVC Holdings, Inc.**, Denver, CO (US)

(**) Term: **15 Years**

(21) Appl. No.: **29/749,767**

(22) Filed: **Sep. 9, 2020**

Related U.S. Application Data

(63) Continuation of application No. 29/670,431, filed on Nov. 15, 2018, now Pat. No. Des. 896,515.

(51) **LOC (13) Cl.** **03-01**

(52) **U.S. Cl.**
USPC **D3/302**; D3/273; D9/772; D28/82

(58) **Field of Classification Search**
USPC D3/201, 203.1, 203.2, 273, 276, 294,
D3/295, 298, 302, 318, 901, 902, 903;
D9/772, 425, 537; D27/189, 190, 191;
D28/82, 7
CPC A45C 5/00; A45C 11/16; A45C 11/24;
A45C 2200/05; A45C 2200/10; B65D
50/04

See application file for complete search history.

(56) **References Cited**

U.S. PATENT DOCUMENTS

D406,396 S	3/1999	Granwehr
D452,151 S	12/2001	Scott
D573,794 S	7/2008	Izen et al.
D581,809 S	12/2008	Wichowski
D595,899 S	7/2009	Krause-Neufeldt
D686,513 S	7/2013	Henriksson

D816,994 S	5/2018	Fischer et al.
D828,749 S	9/2018	Swegle et al.
D834,302 S	11/2018	Paz
D834,303 S	11/2018	Paz
D860,779 S	9/2019	Sutton et al.
D933,301 S *	10/2021	Lee D28/82
2017/0305601 A1	10/2017	Hall

(Continued)

OTHER PUBLICATIONS

Leafy, "Wax/shatter container by Stash Fresh", Accessed Jan. 29, 2020, (<https://www.leafly.com/products/details/stash-fresh-waxshatter-container>) (Year: 2020).

(Continued)

Primary Examiner — April Rivas

(74) *Attorney, Agent, or Firm* — Morgan, Lewis & Bockius LLP

(57) **CLAIM**

The ornamental design for a container, as shown and described.

DESCRIPTION

FIG. 1 is a front perspective view of a container showing our new design;

FIG. 2 is a rear perspective view thereof;

FIG. 3 is a front elevational view thereof;

FIG. 4 is a rear elevational view thereof;

FIG. 5 is a left-side elevational view thereof;

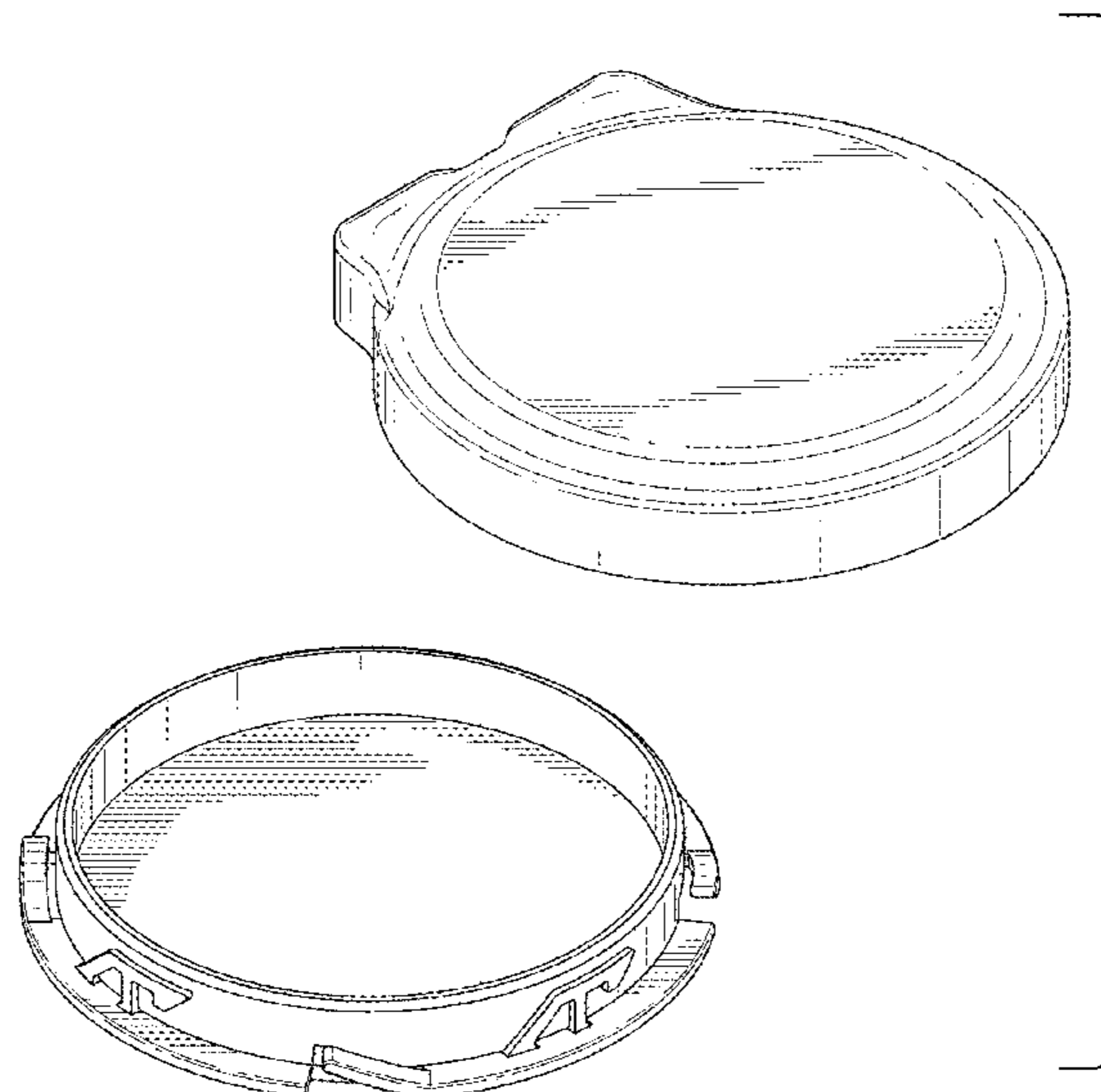
FIG. 6 is a right-side elevational view thereof;

FIG. 7 is a top plan view thereof; and,

FIG. 8 is a bottom plan view thereof.

The broken lines immediately adjacent the shaded area represent the bounds of the claimed design while all other broken lines are directed to environment and are for illustrative purposes only; the broken lines form no part of the claimed design.

1 Claim, 7 Drawing Sheets



(56)

References Cited

U.S. PATENT DOCUMENTS

2018/0086518 A1 3/2018 Charm
2021/0276769 A1* 9/2021 Dzurik B65D 50/04

OTHER PUBLICATIONS

Amazon, "Non-Stick Silicone Wax Dab Concentrate Compact Clamshell Containers 10 ml Multi Use Storage Jars (Green 3)", first on sale Dec. 7, 2019. (<https://www.amazon.com/Non-Stick-Silicone-Containers-Storage-Green/dp/B0814FPFXS?th=1> (Year: 2019).

Collective Supply, Dragon Chewer black/White Press n Pull Box Small, 2019, available at <https://Collectivesupply.com/product/dragon-chewer-white-press-n-pull-box-small/>, accessed on Jul. 3, 2018.

Leafs by Snoop, 2015, https://www.google.com/search?q=leafs+by+snoop+image&source=lnms&tbm=isch&sa=X&ved=0ahUKEwj1-avyoqPkAhWN1lkKHUMPDWoQ_AUIEigC&biw=1362&bih=824#imgrc=RE3xyHOe7wloGM:&spf=1566916562145, accessed on Jul. 3, 2018.

* cited by examiner

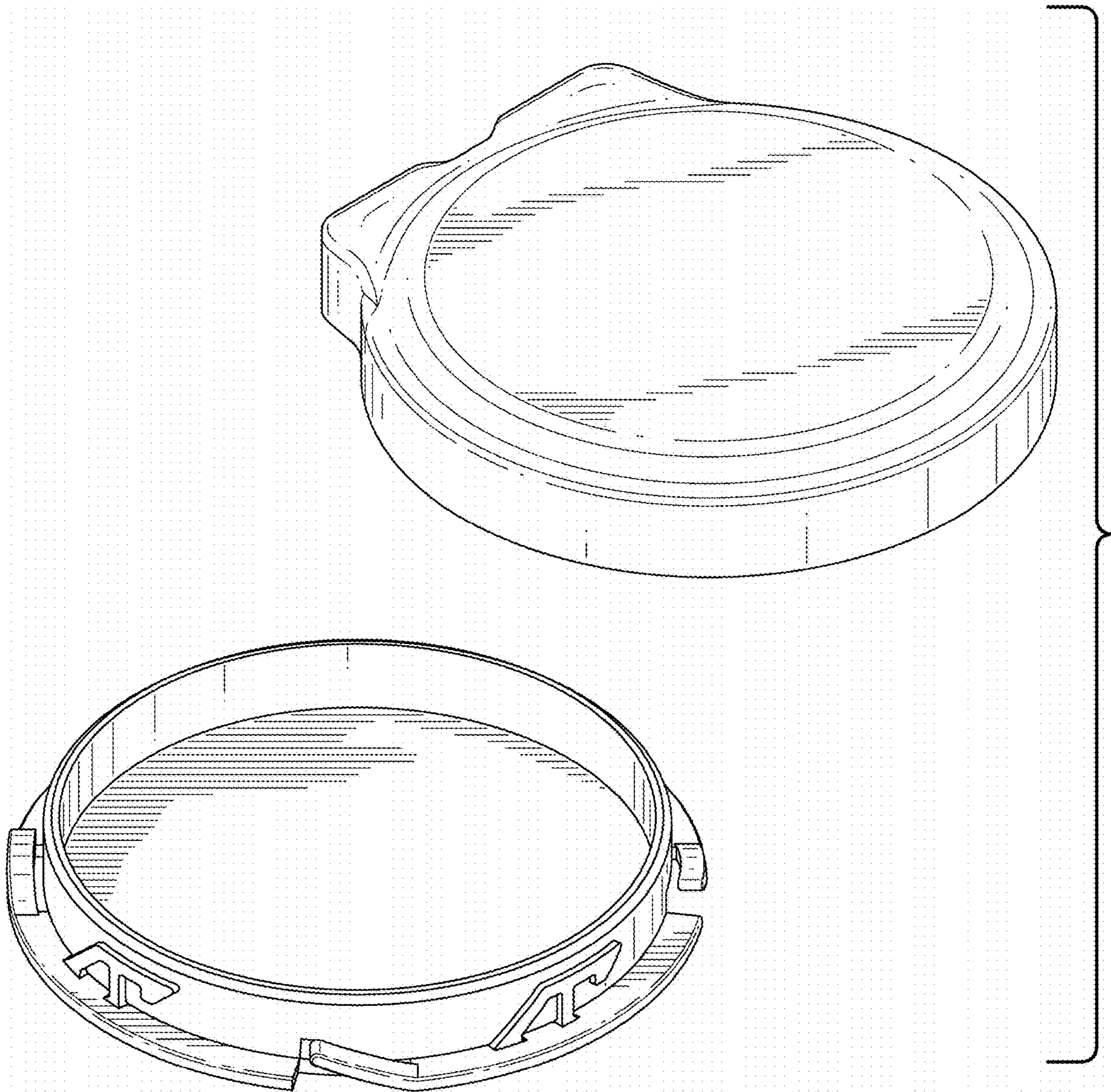


FIG. 1

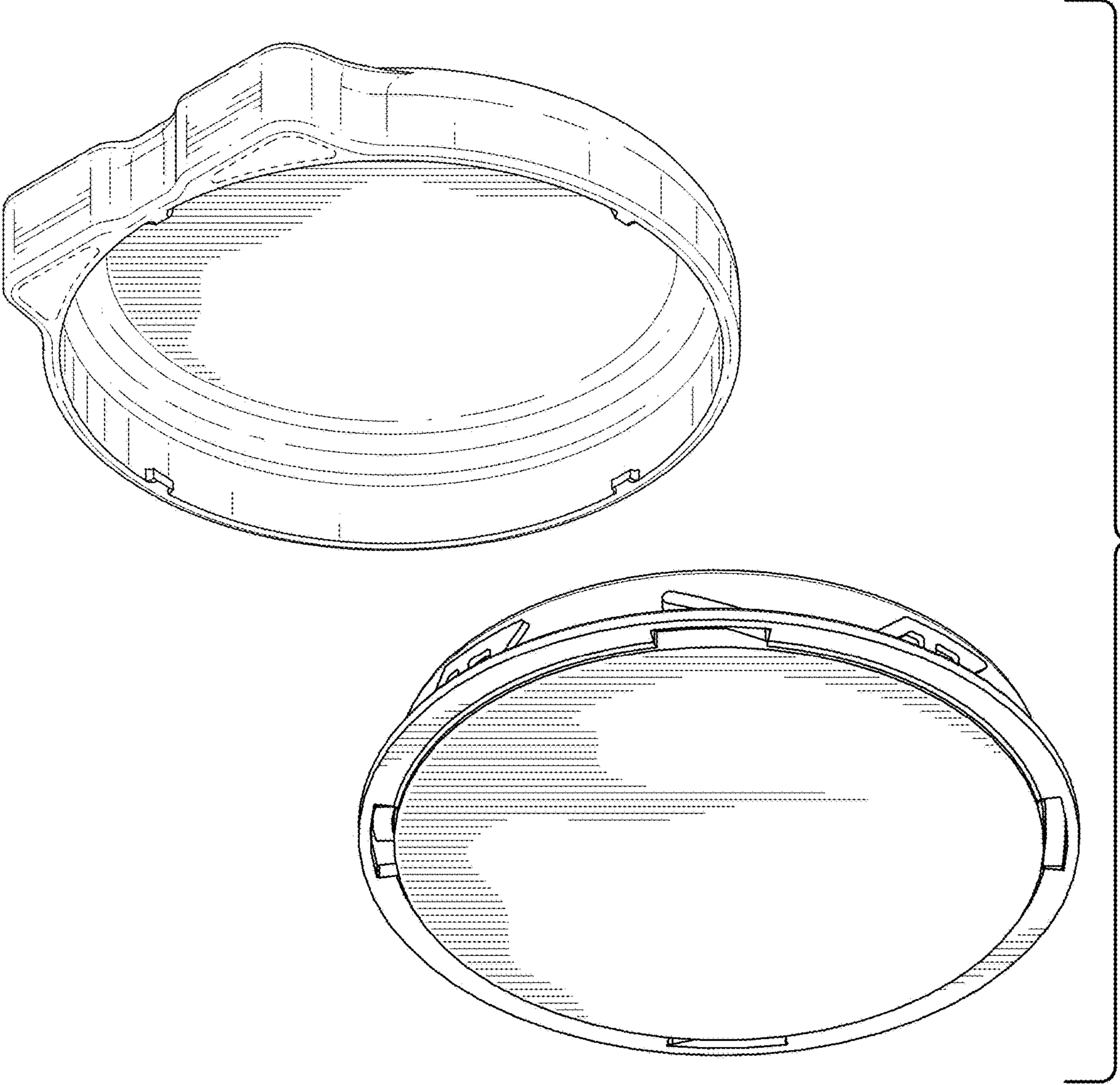


FIG. 2

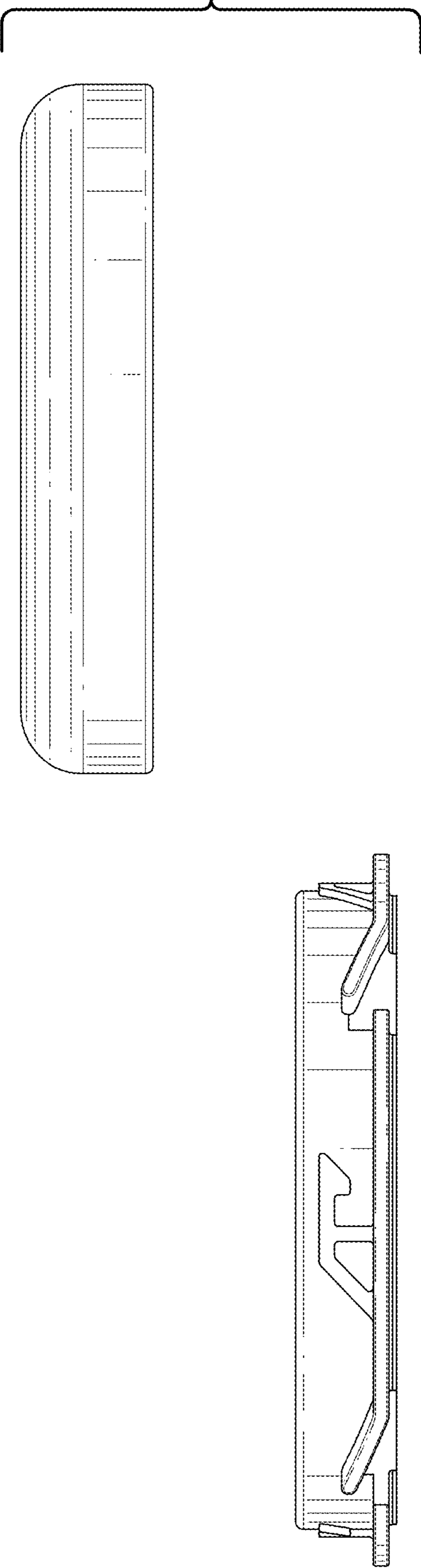


FIG. 3

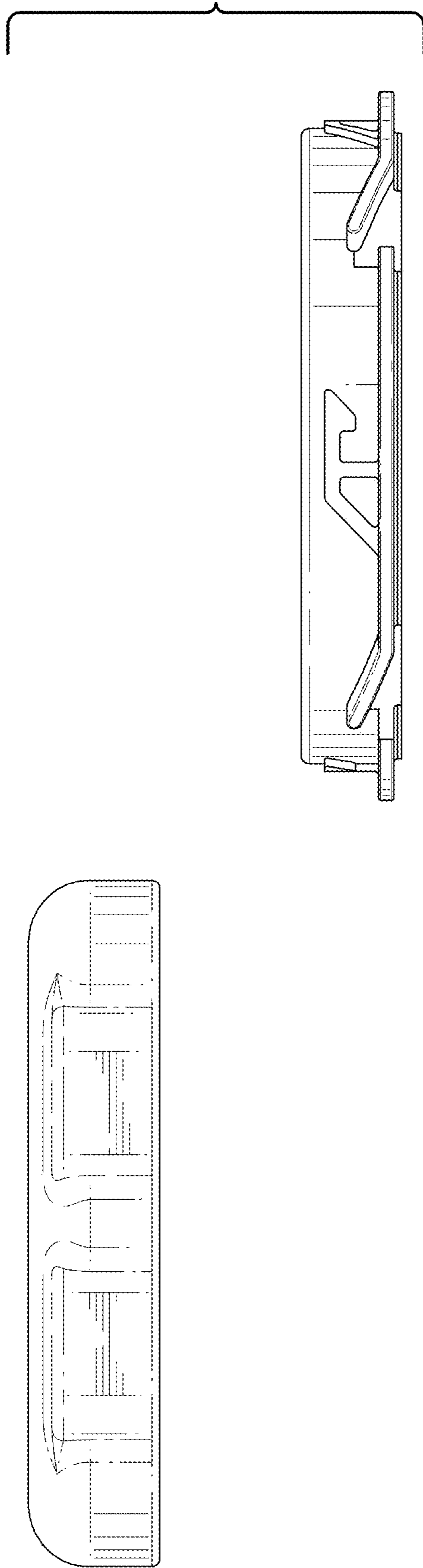


FIG. 4

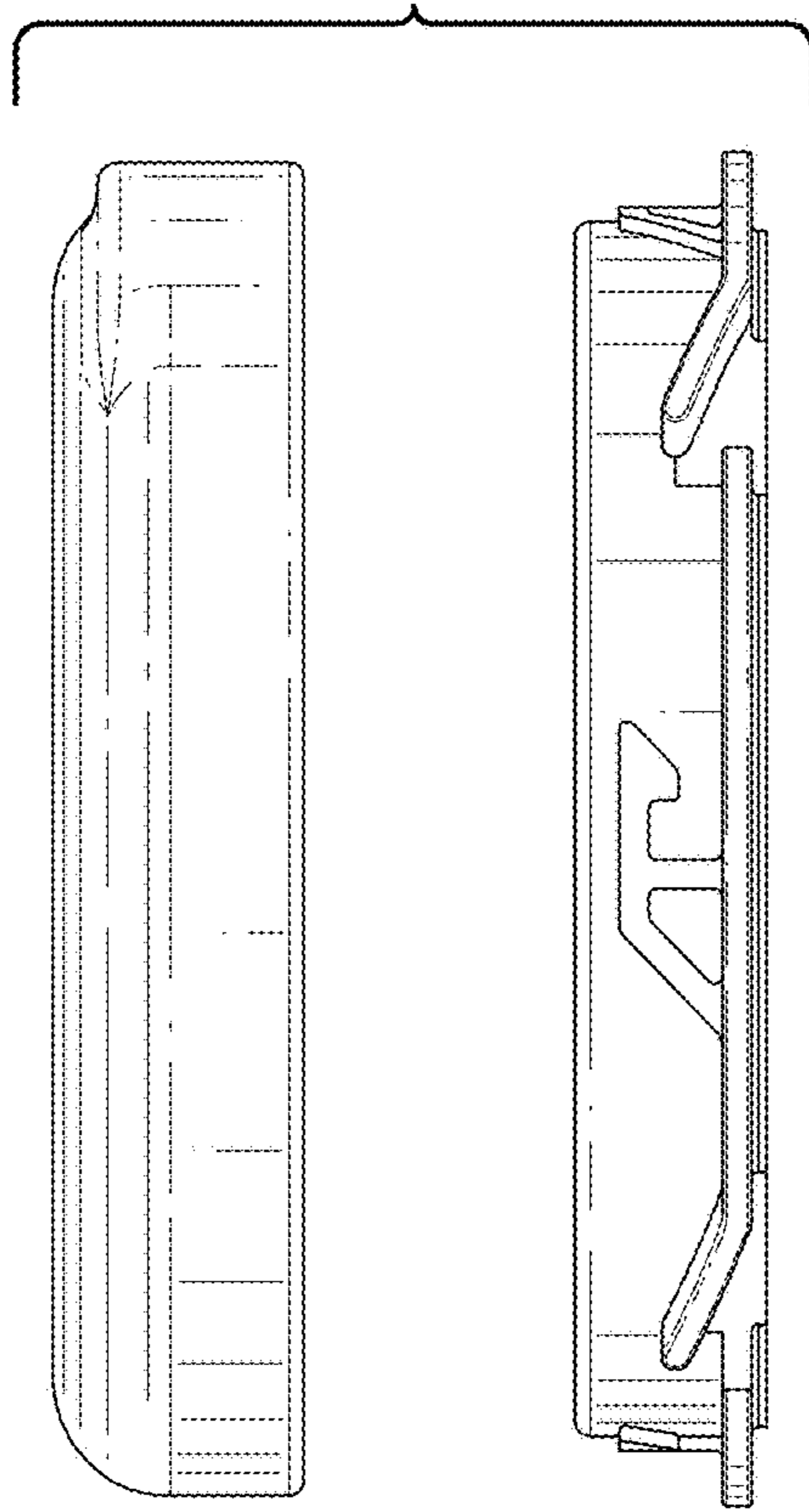


FIG. 6

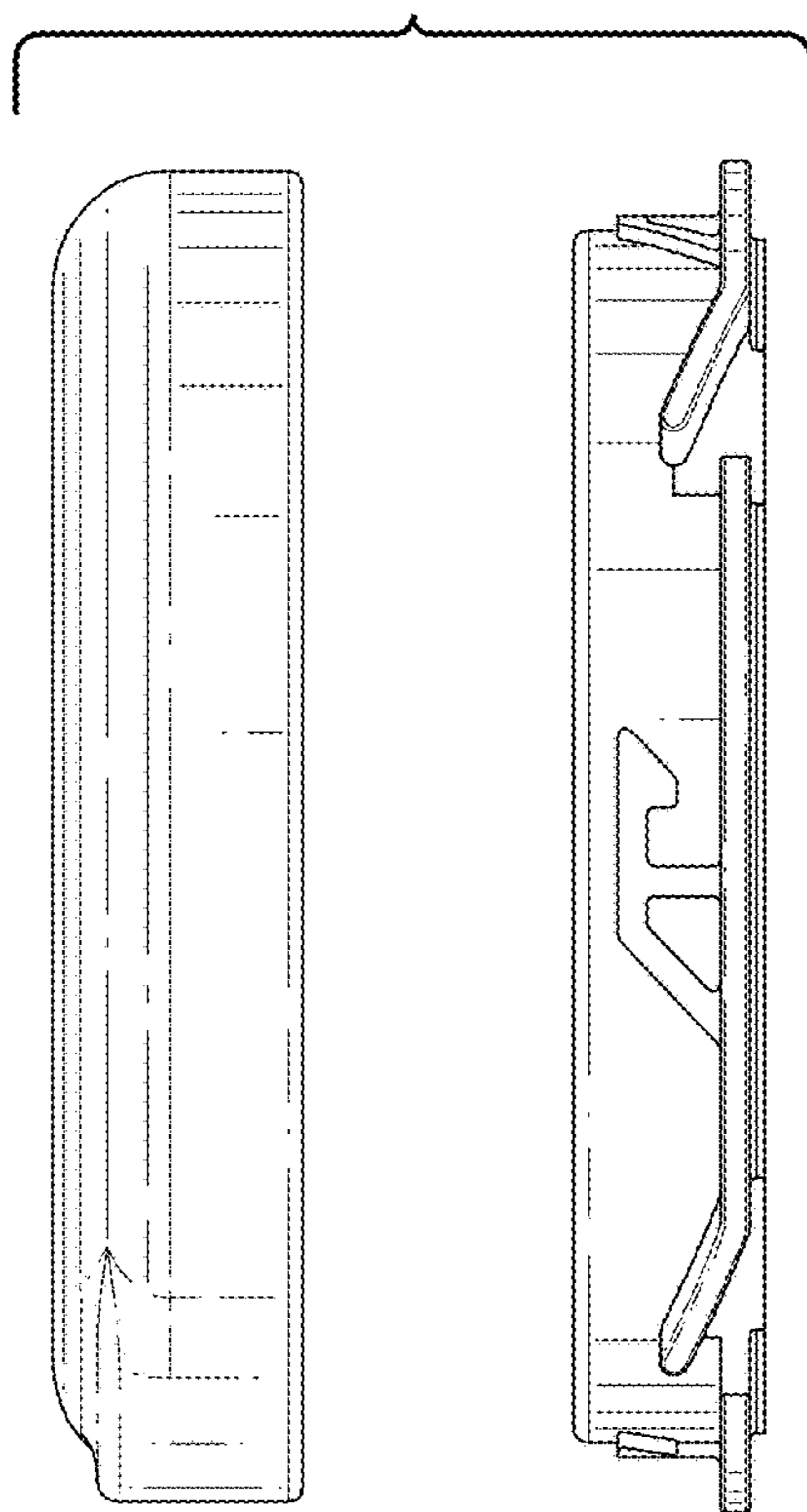


FIG. 5

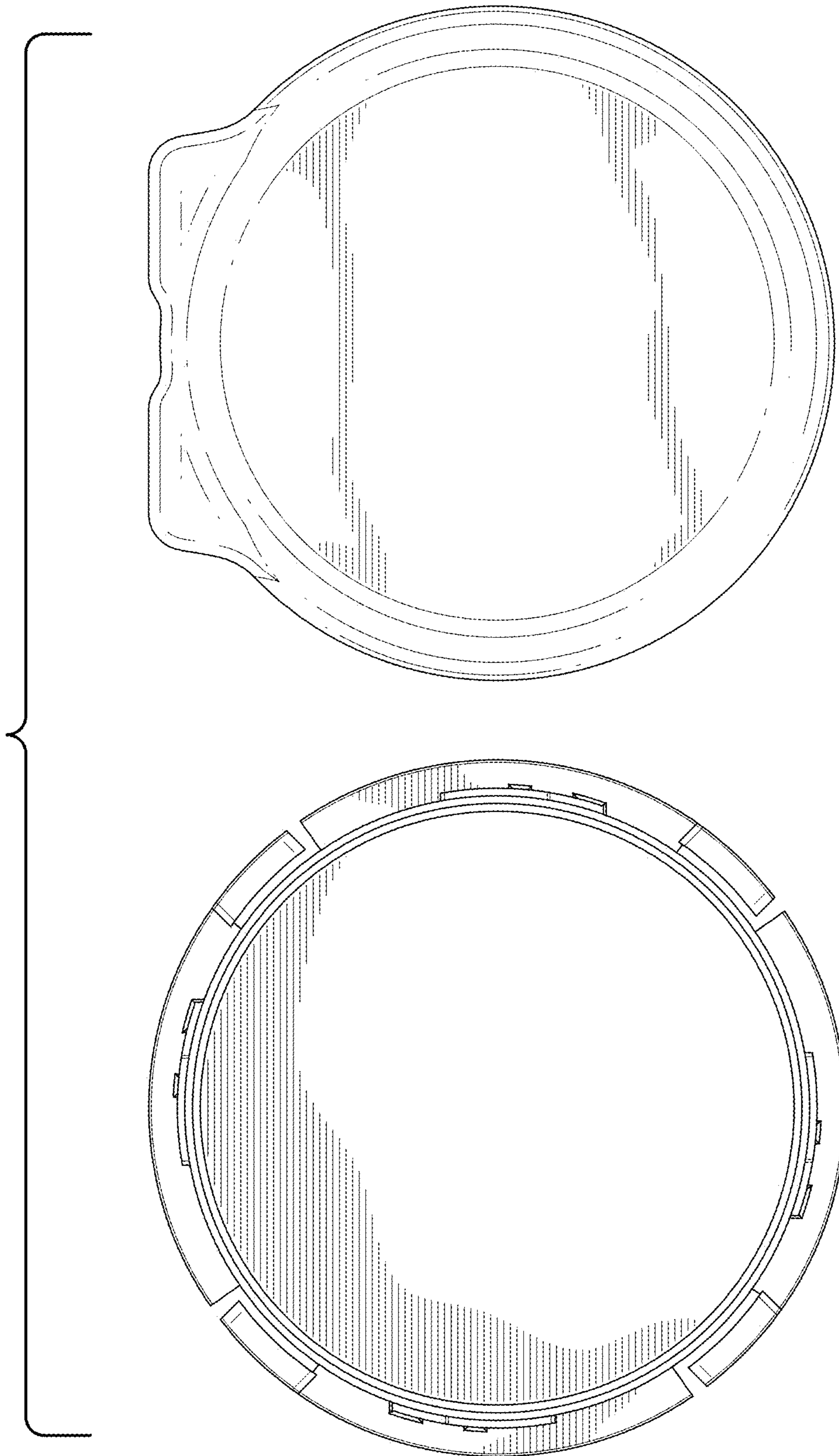


FIG. 7

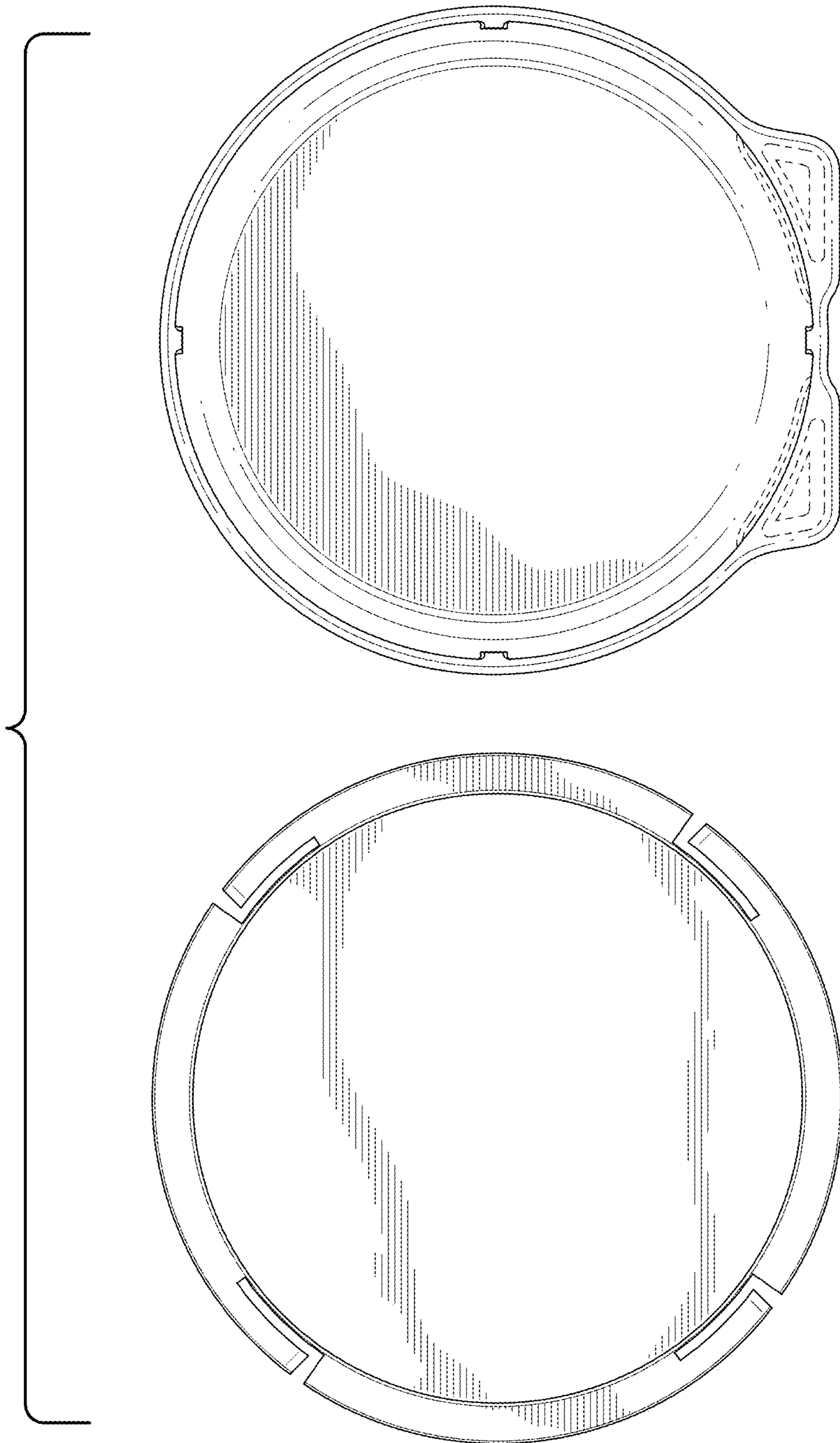


FIG. 8