



US00D945159S

(12) **United States Design Patent** (10) **Patent No.:** **US D945,159 S**
Cooper et al. (45) **Date of Patent:** **** Mar. 8, 2022**

(54) **CONTAINER**
(71) Applicant: **WVC Holdings, Inc.**, Denver, CO (US)
(72) Inventors: **Jeremy Cooper**, Denver, CO (US);
Jeremiah Buck, Denver, CO (US);
Timothy Hanley, Denver, CO (US);
Zachariah Johnson, Denver, CO (US)
(73) Assignee: **WVC Holdings, Inc.**, Denver, CO (US)

D563,596 S 3/2008 Neias
D636,260 S 4/2011 Abolfazlian et al.
D644,507 S 9/2011 Lee et al.
8,359,816 B2 1/2013 Guschke et al.
D720,525 S 1/2015 Magno
D731,309 S 6/2015 Lee et al.
9,938,042 B1 4/2018 Aryanpanah et al.
D818,195 S 5/2018 Burger
D873,555 S 1/2020 Wurm
D896,519 S * 9/2020 Cooper D3/298

(**) Term: **15 Years**
(21) Appl. No.: **29/749,765**
(22) Filed: **Sep. 9, 2020**

Related U.S. Application Data

(63) Continuation of application No. 29/670,449, filed on Nov. 15, 2018, now Pat. No. Des. 896,519.
(51) **LOC (13) Cl.** **03-01**
(52) **U.S. Cl.**
USPC **D3/298**; D27/189
(58) **Field of Classification Search**
USPC D3/201, 203.1, 203.2, 273, 276, 294,
D3/295, 298, 302, 318, 901, 902, 903;
D9/432, 425; D27/189, 190, 191
CPC A45C 5/00; A45C 11/16; A45C 11/24;
A45C 2200/05; A45C 2200/10; B65D
50/04
See application file for complete search history.

(56) **References Cited**

U.S. PATENT DOCUMENTS

D174,300 S 3/1955 Waterman
D332,347 S 1/1993 Raadt et al.
D379,552 S 5/1997 Vokebe
D465,729 S 11/2002 Nishimura

OTHER PUBLICATIONS

Instagram @dragonchewer, "Sample photo of our childproof shatter boxes #dragonchewer #shatter", posted Dec. 1, 2016, (<https://www.instagram.com/p/BNfJUt-jxoX/>) (Year: 2016).
Marijuana Packaging, "Child-Resistant 5 Slot Plastic Joint Box—250 Count", Accessed Jan. 29, 2020. (<https://marijuanapackaging.com/products/child-resistant-5-slot-plastic-joint-box>) (Year: 2020).

(Continued)

Primary Examiner — April Rivas
(74) *Attorney, Agent, or Firm* — Morgan, Lewis & Bockius LLP

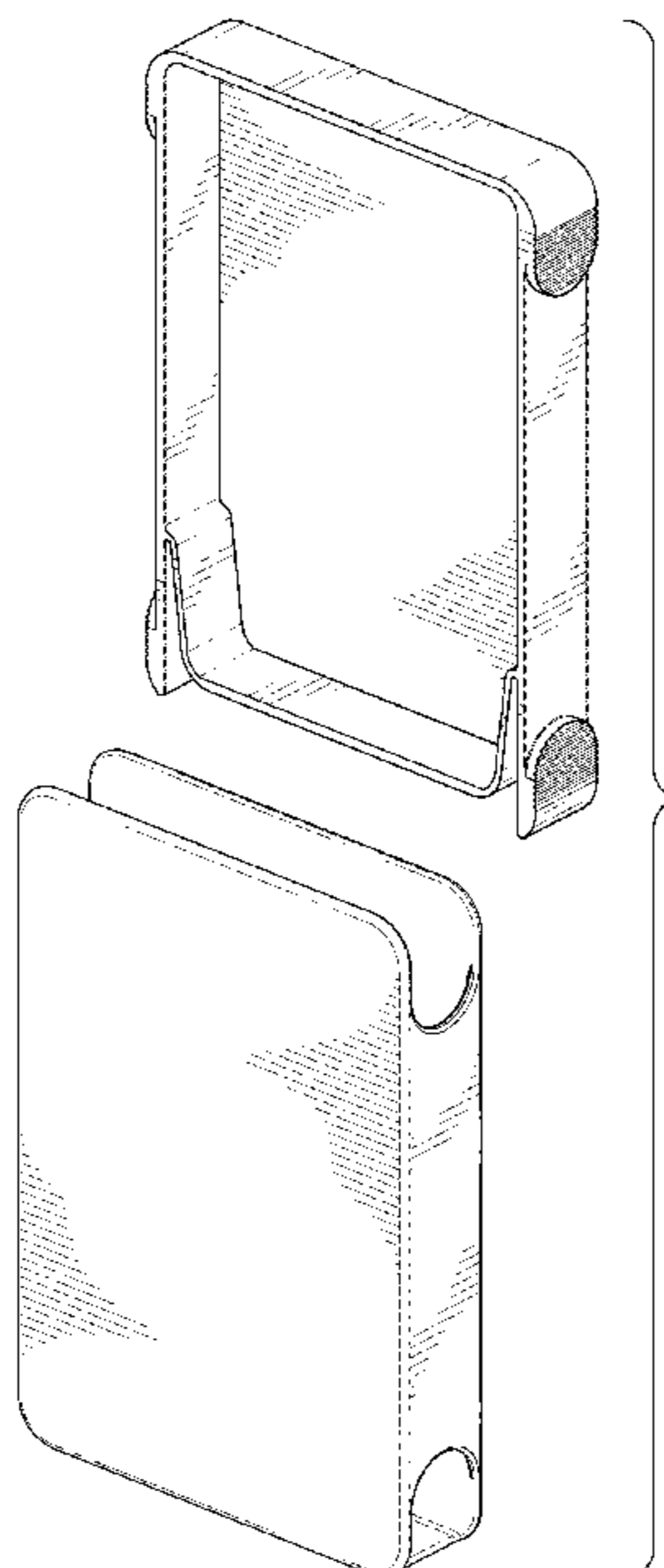
(57) **CLAIM**

The ornamental design for a container, as shown and described.

DESCRIPTION

FIG. 1 is a front perspective view of a container showing our new design;
FIG. 2 is a front elevational view thereof;
FIG. 3 is a rear elevational view thereof;
FIG. 4 is a left-side elevational view thereof;
FIG. 5 is a right-side elevational view thereof;
FIG. 6 is a top plan view thereof; and,
FIG. 7 is a bottom plan view thereof.

1 Claim, 6 Drawing Sheets



(56)

References Cited

OTHER PUBLICATIONS

Alibaba, "Child Proof Airtight Pre roll Tin Box For Different Cones", accessed Jan. 29, 2020. (https://www.alibaba.com/product-detail/Child-Proof-Airtight-Pre-roll-Tin_60836583604.html) (Year:2020).

Collective Supply, Dragon Chewer black/White Press n Pull Box Small, 2019, available at <https://Collectivesupply.com/product/dragon-chewer-white-press-n-pull-box-small/>, accessed on Jul. 3, 2018.

Leafs by Snoop, 2015, https://www.google.com/search?q=leafs+by+snoop+image&source=lnms&tbm=isch&sa=X&ved=0ahUKEwj1-avyoqPkAhWN1kKHUMPDWoQ_AUIEigC&biw=1362&bih=824#imgrc=RE3xyHOe7wloGM:&spf=1566916562145, accessed on Jul. 3, 2018.

* cited by examiner

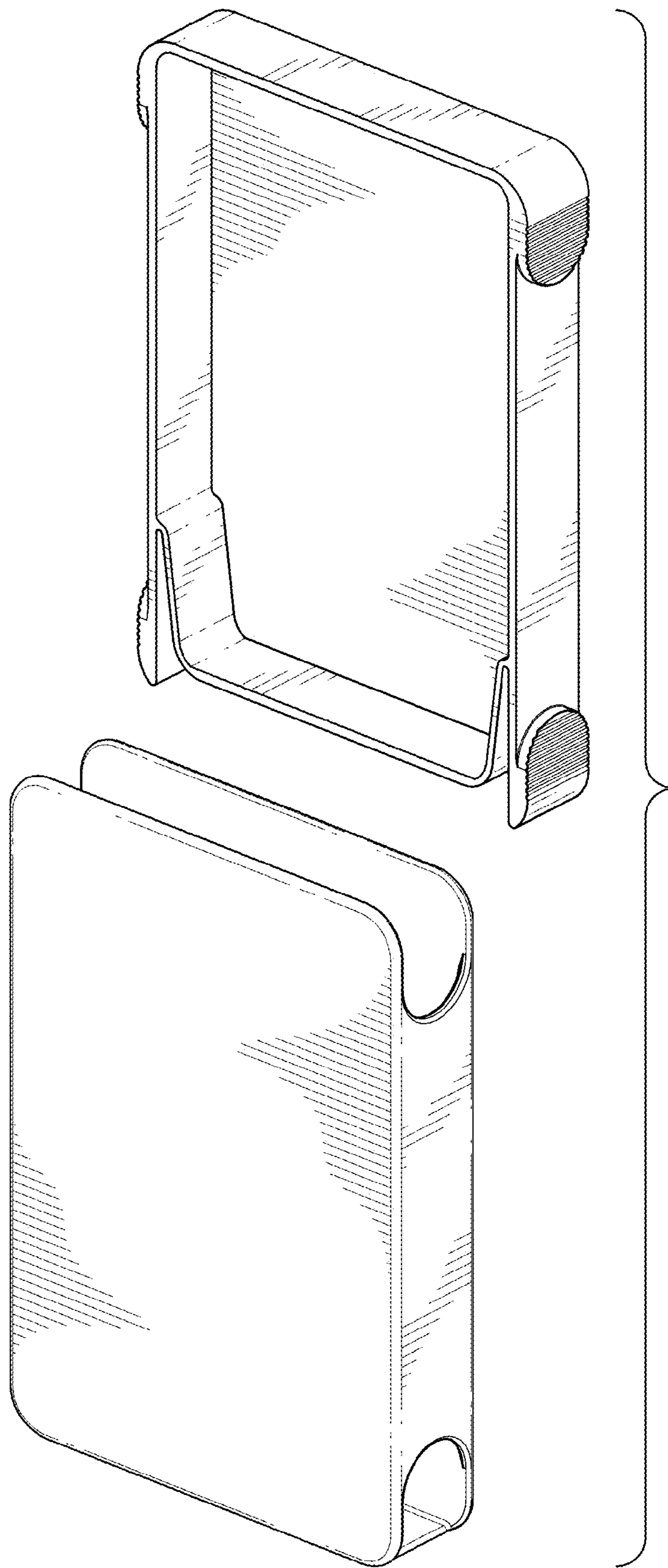


FIG. 1

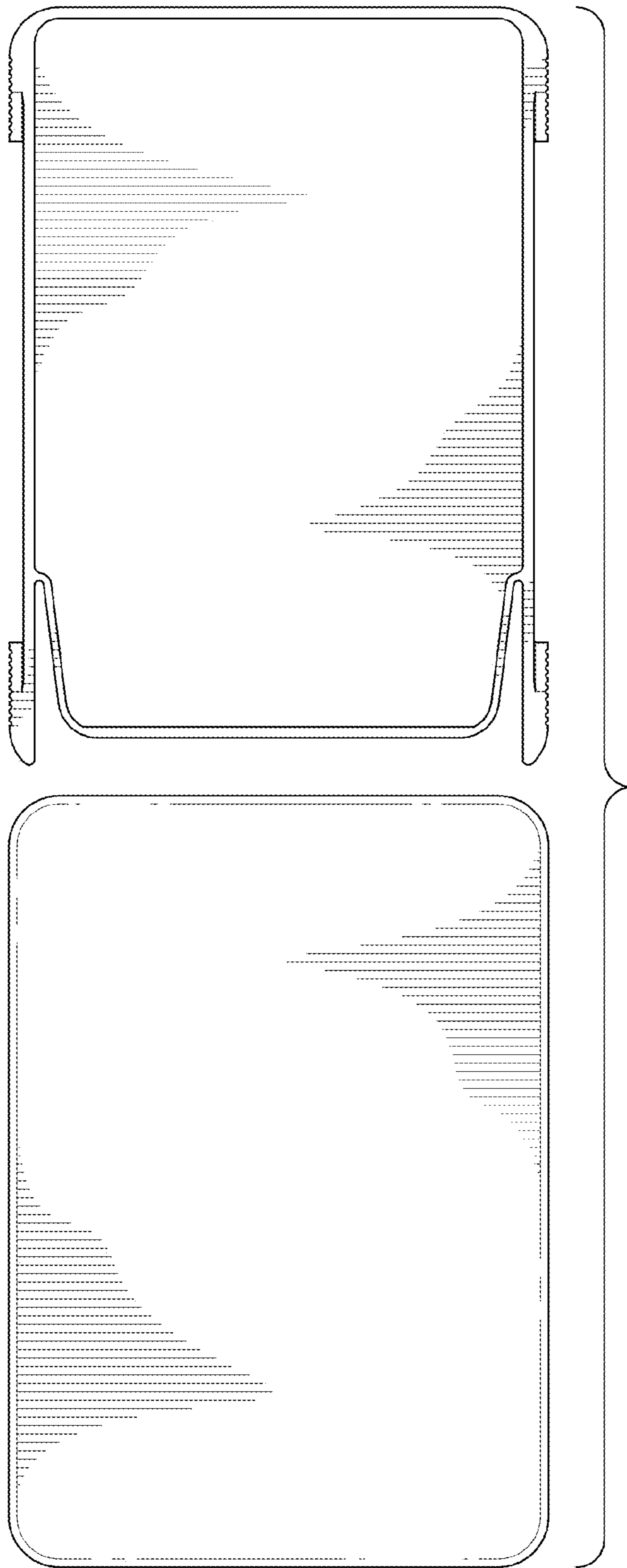


FIG. 2

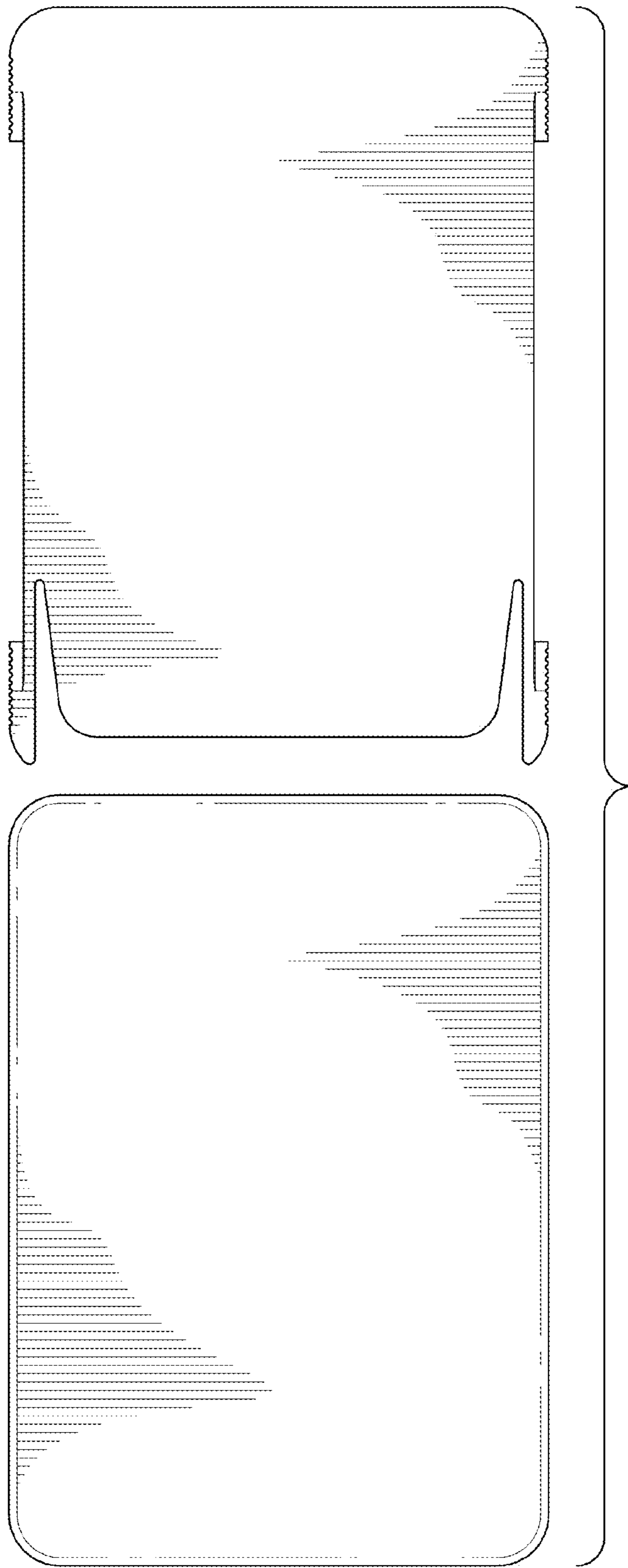


FIG. 3

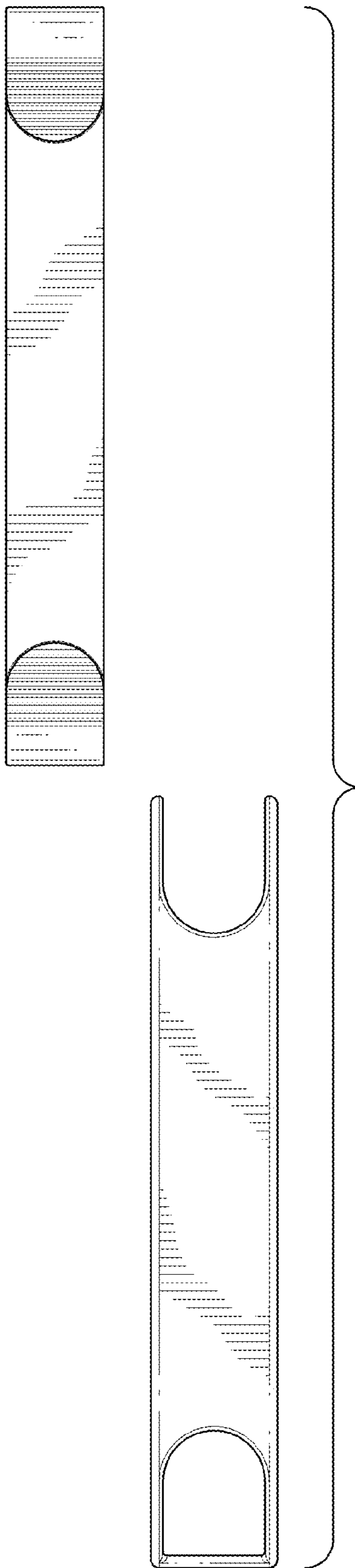


FIG. 4

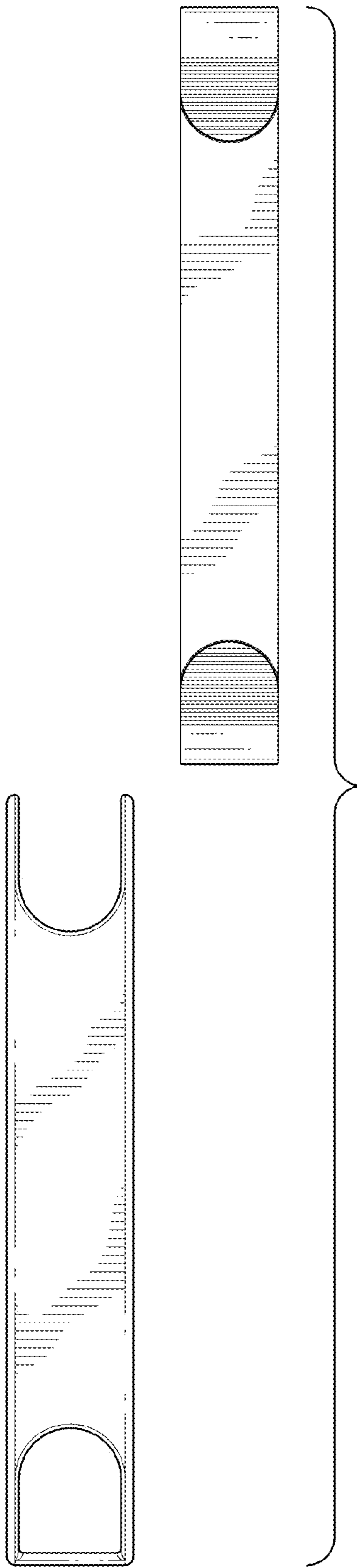


FIG. 5

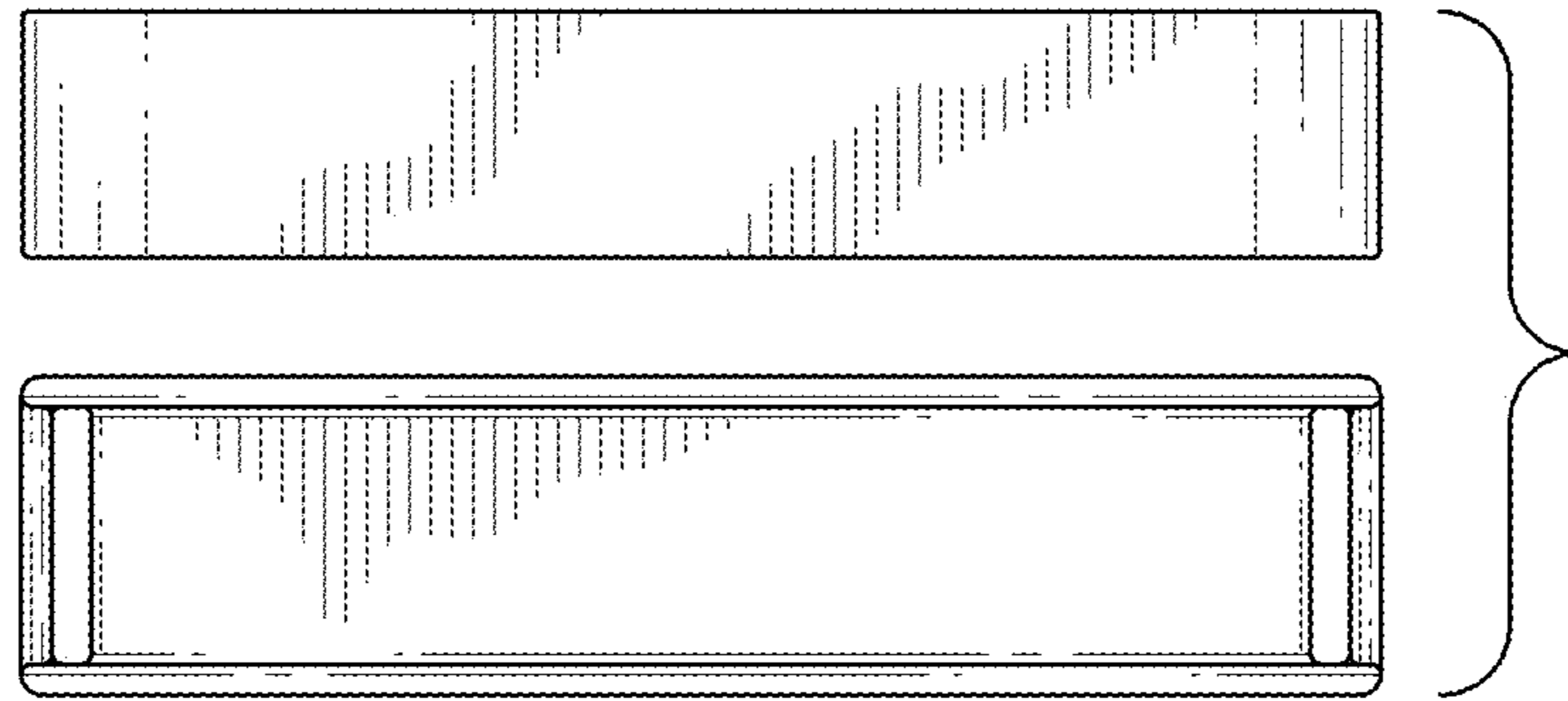


FIG. 6

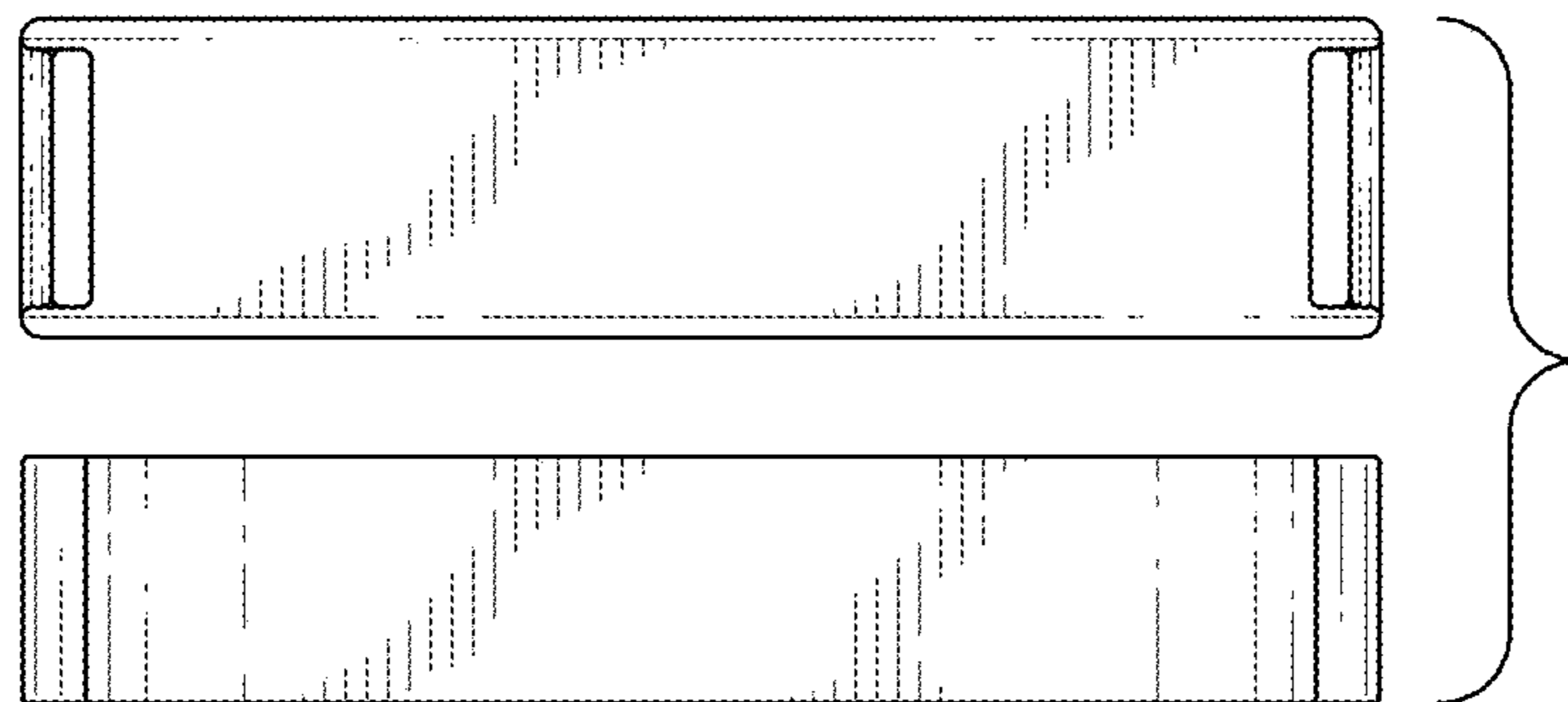


FIG. 7