



US00D945158S

(12) **United States Design Patent** (10) **Patent No.:** **US D945,158 S**
Holme et al. (45) **Date of Patent:** **** Mar. 8, 2022**

- (54) **WATCH BOX ORGANIZER**
- (71) Applicant: **Holme & Hadfield LLC**, London (GB)
- (72) Inventors: **Ian James Holme**, London (GB);
Philip Hadfield, London (GB)
- (73) Assignee: **Holme & Hadfield LLC**, London (GB)
- (**) Term: **15 Years**
- (21) Appl. No.: **29/757,527**
- (22) Filed: **Nov. 6, 2020**
- (51) **LOC (13) Cl.** **03-01**
- (52) **U.S. Cl.**
USPC **D3/297**
- (58) **Field of Classification Search**
USPC D3/273, 294, 295, 297, 298, 901, 903;
D6/671.1
CPC A45D 33/006; A45C 11/16; A47F 7/02
See application file for complete search history.

- (56) **References Cited**
U.S. PATENT DOCUMENTS
2,103,241 A * 12/1937 Bell B65D 5/505
206/391
D108,580 S * 2/1938 Pilliod D3/302
D139,201 S * 10/1944 Yarcho D3/302
D330,818 S * 11/1992 Brandt B65D 5/505
D3/294
9,573,742 B1 * 2/2017 Schmid E05G 1/024

OTHER PUBLICATIONS
Glenor Co Watch Box with Valet Drawer, announced Oct. 8, 2016, [online], [site visited Jan. 1, 2022]. Available from internet, URL:

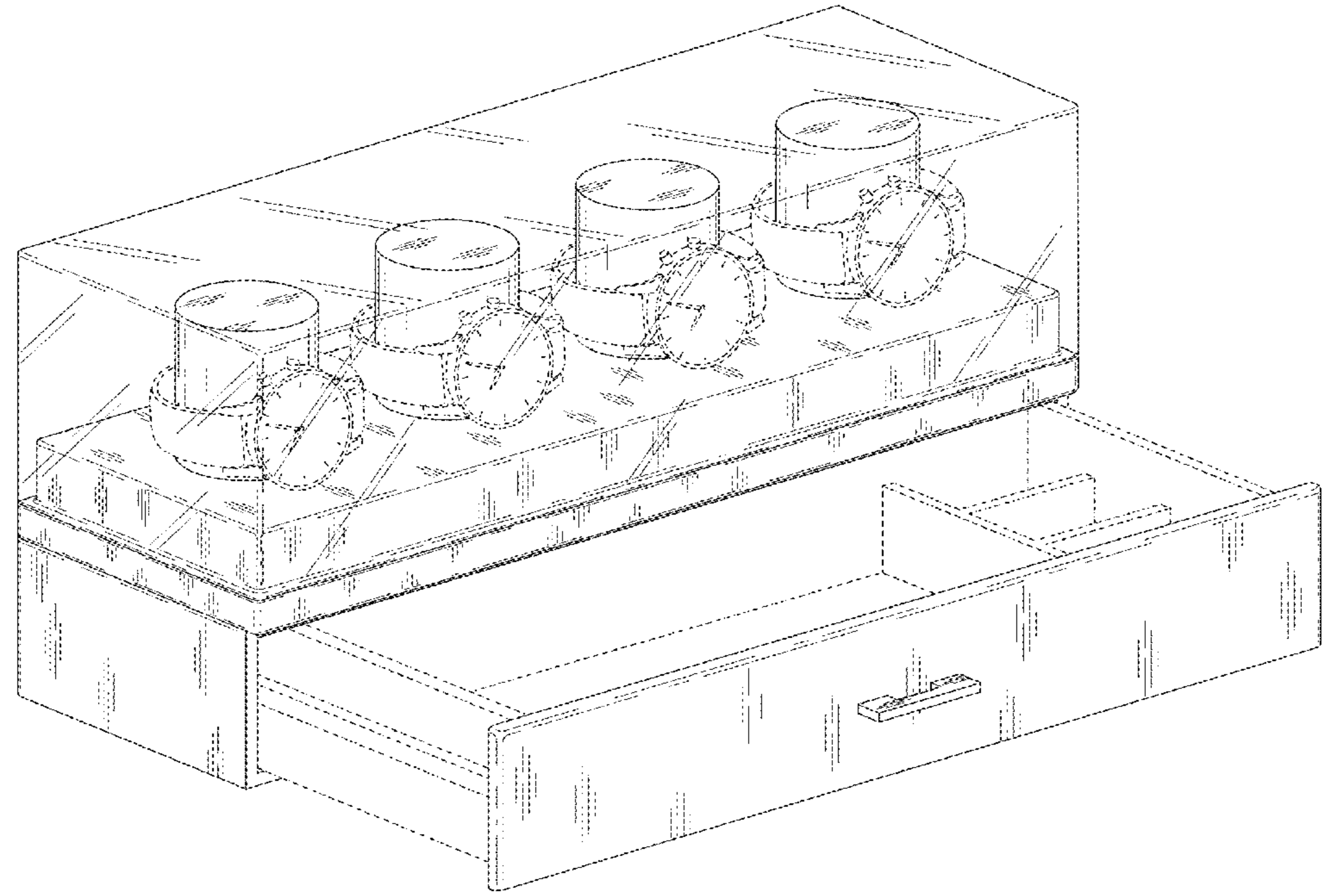
<<https://www.amazon.ca/Glenor-Co-Watch-Valet-Drawer/dp/B01D0MRXCC/>> (Year: 2016).*
AKAMOS Rustic Oak Wooden watch box display case, announced Jul. 13, 2020, [site visited Jan. 1, 2022]. Available from internet, URL: <<https://www.amazon.com/dp/B08CVT4SVJ/>> (Year: 2020).*

* cited by examiner
Primary Examiner — Kevin K Rudzinski
Assistant Examiner — Amber J Rabie
(74) *Attorney, Agent, or Firm* — Eric Karich; Karich & Associates

(57) **CLAIM**
The ornamental design for a watch box organizer, as shown and described.

DESCRIPTION
FIG. 1 is a perspective view of a watch box organizer, in an open configuration, showing the new design;
FIG. 2 is a perspective view of the watch box organizer, in a closed configuration, showing the new design;
FIG. 3 is a front elevational view thereof;
FIG. 4 is a rear elevational view thereof;
FIG. 5 is a left side elevational view thereof;
FIG. 6 is a right side elevational view thereof;
FIG. 7 is a top plan view thereof; and,
FIG. 8 is a bottom plan view thereof.
The broken line showing of watches is for the purpose of illustrating environmental structure that form no part of the claimed design. The broken line showing of the inside drawer is for the purpose of illustrating portions of the watch box organizer that form no part of the claimed design.

1 Claim, 5 Drawing Sheets



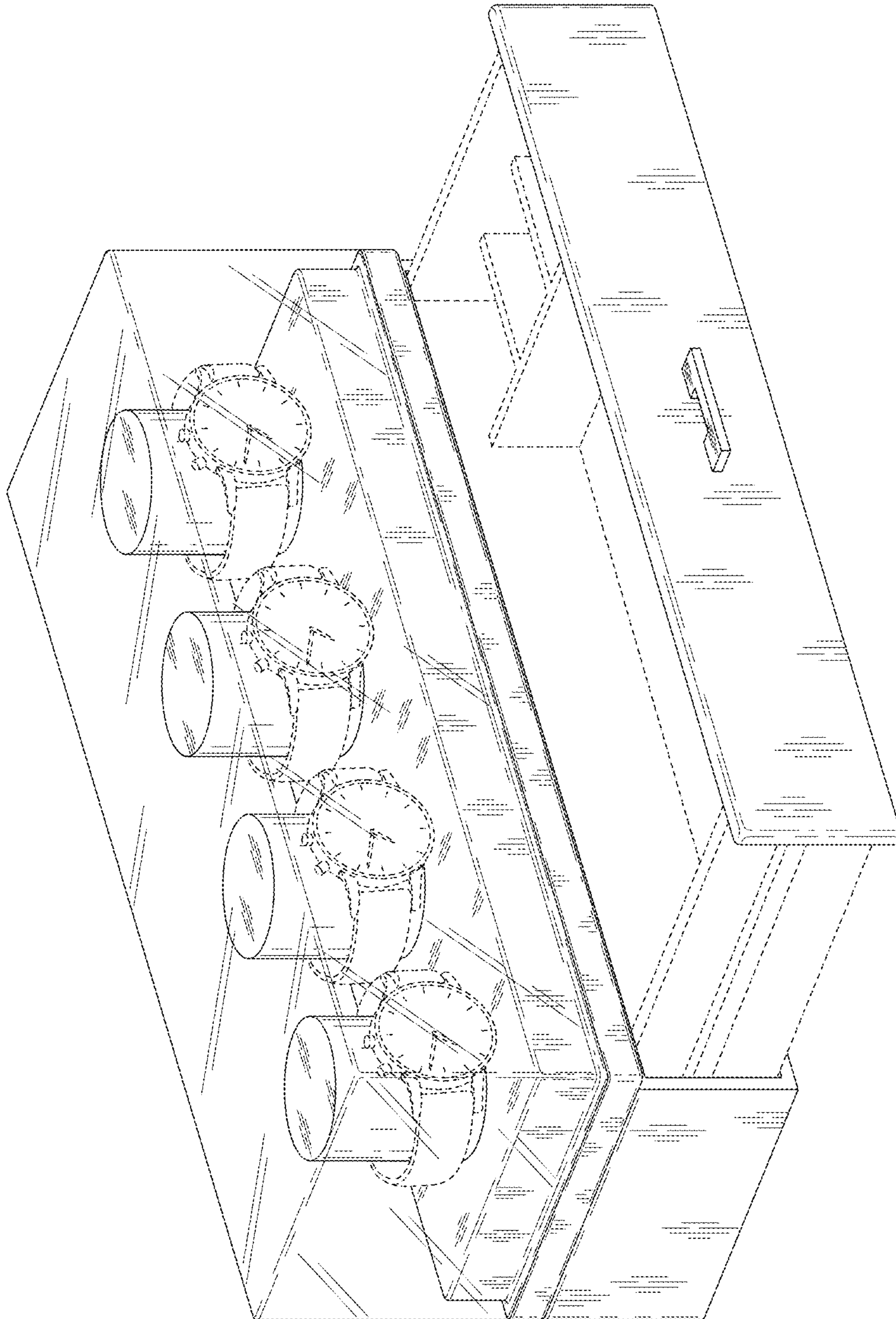


Fig. 1

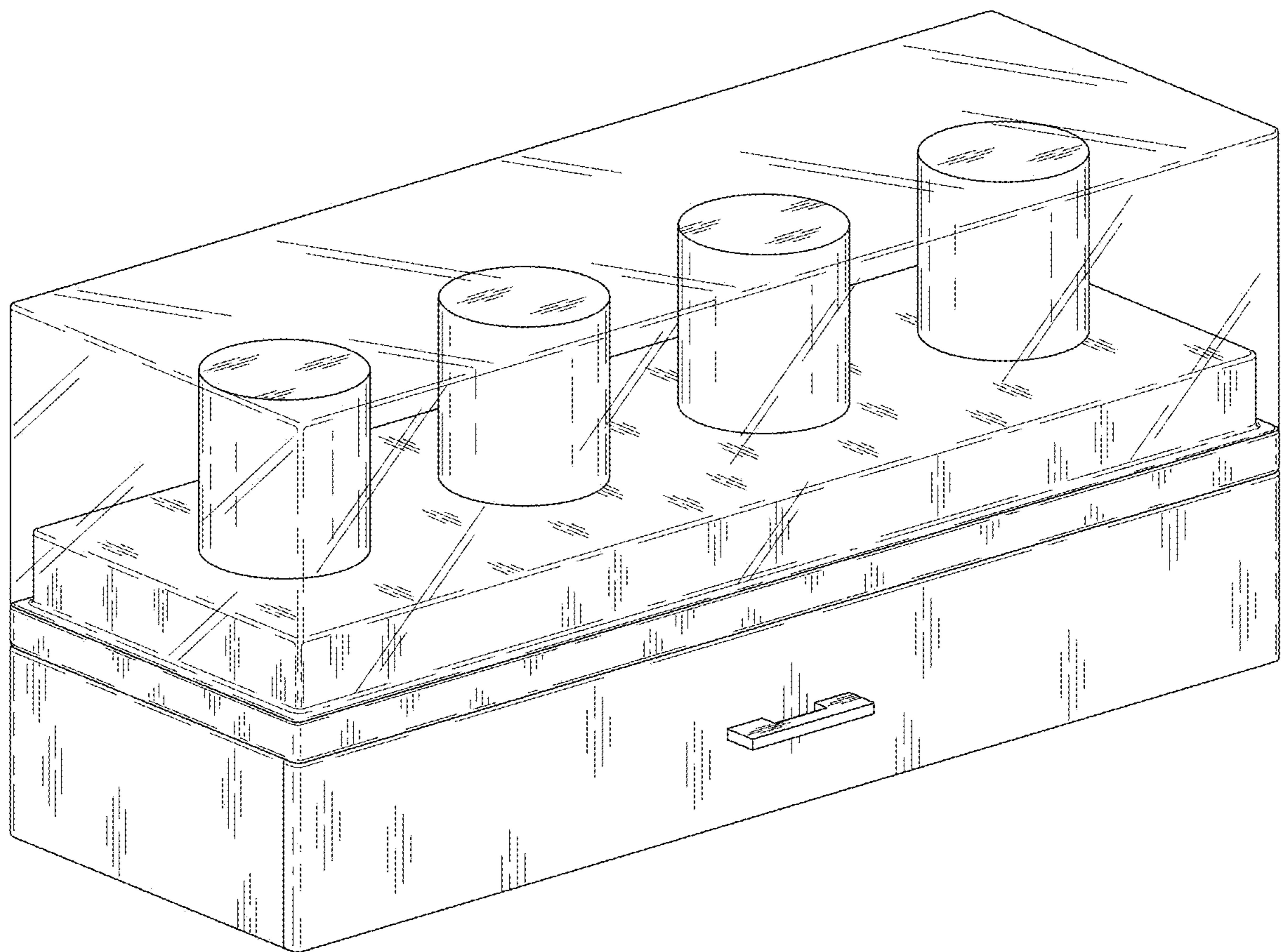


Fig. 2

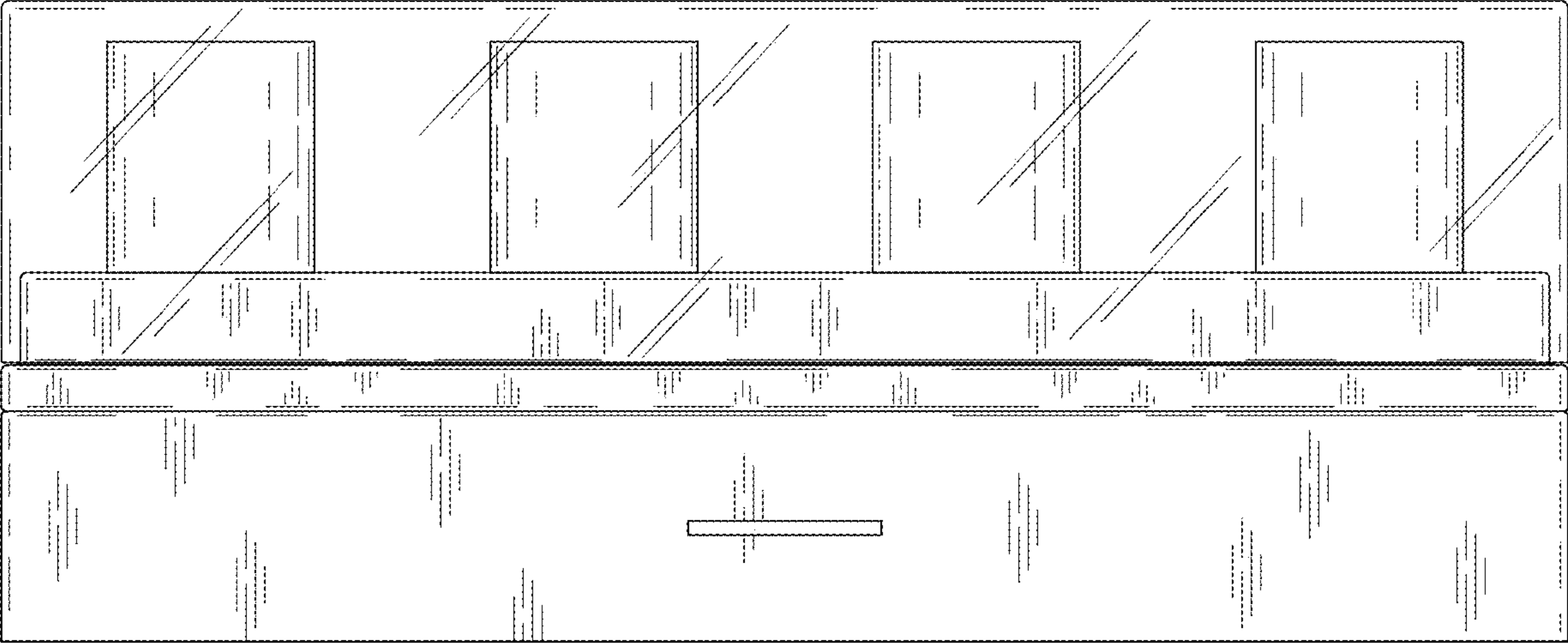


Fig. 3

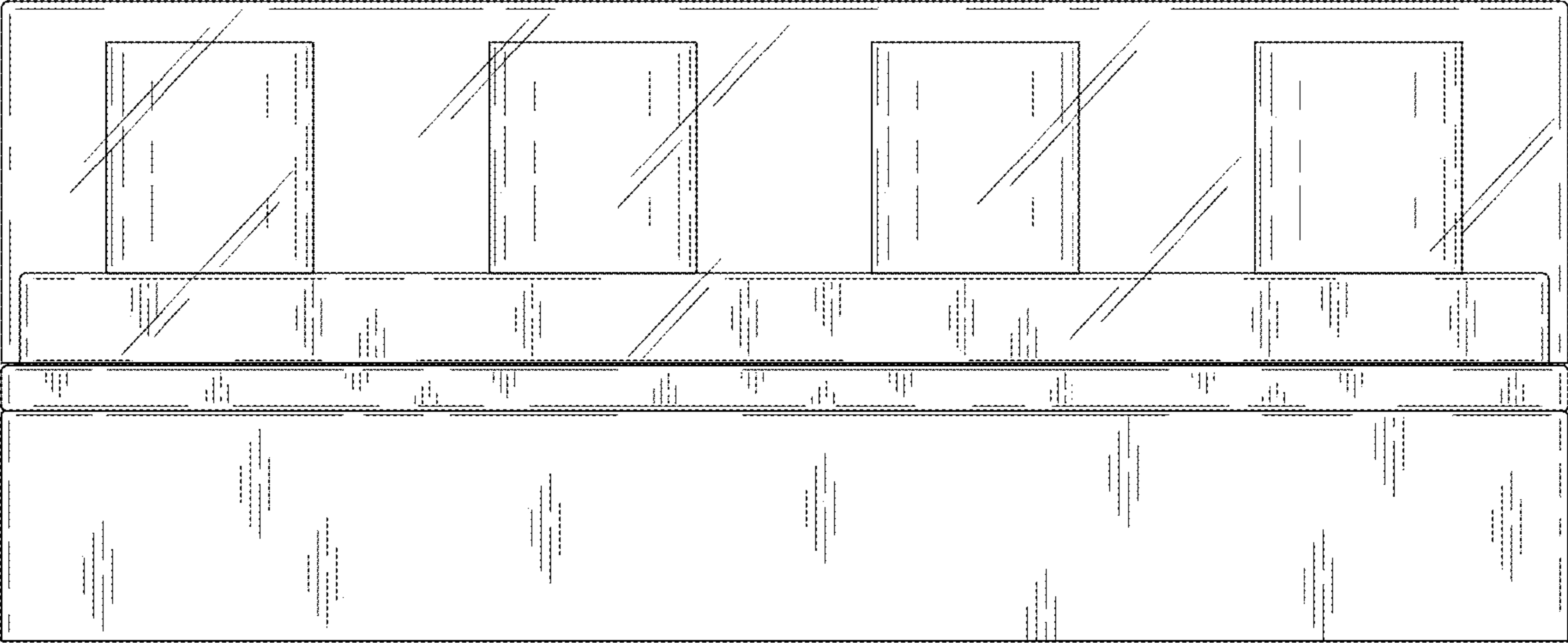


Fig. 4

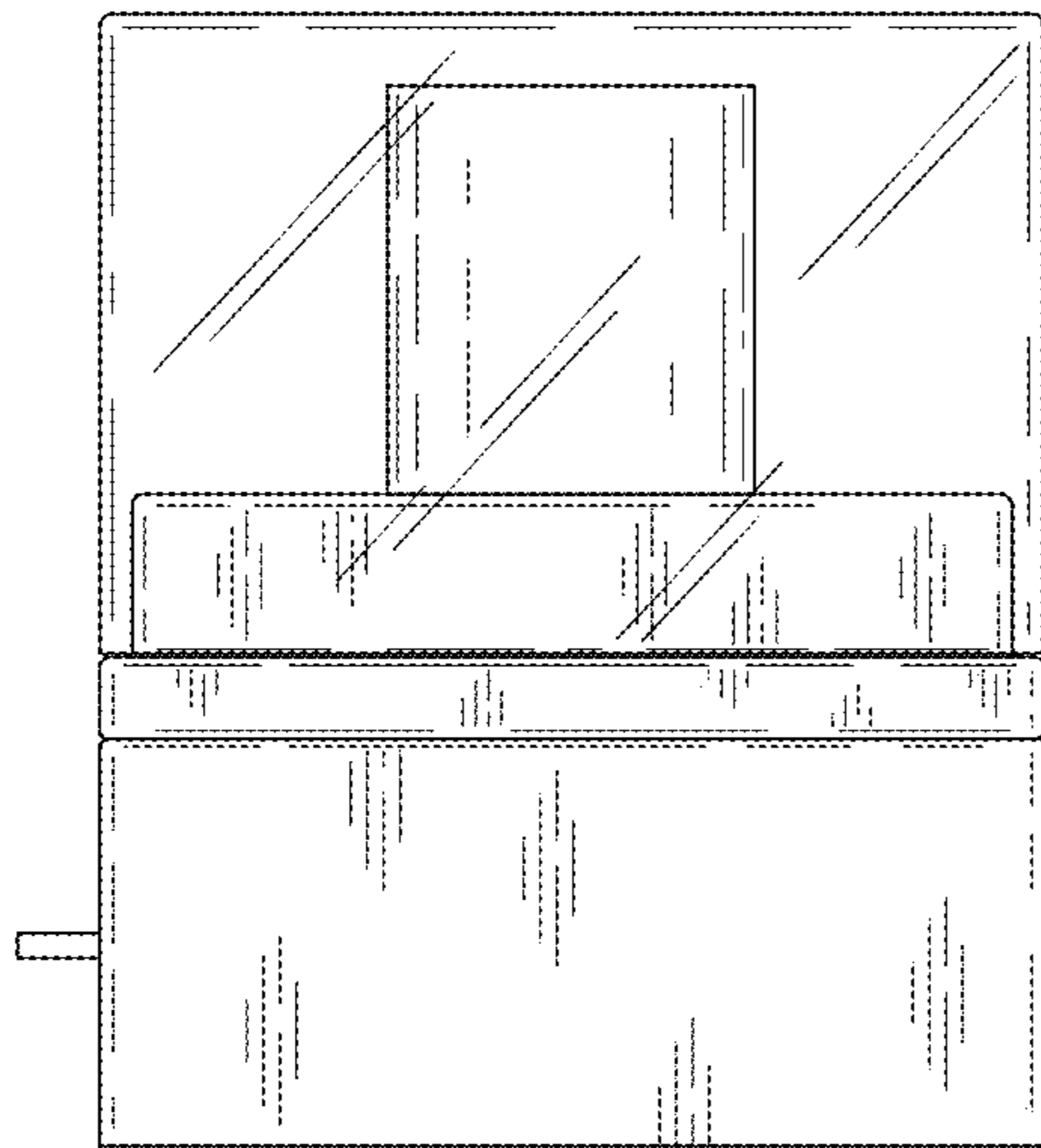


Fig. 5

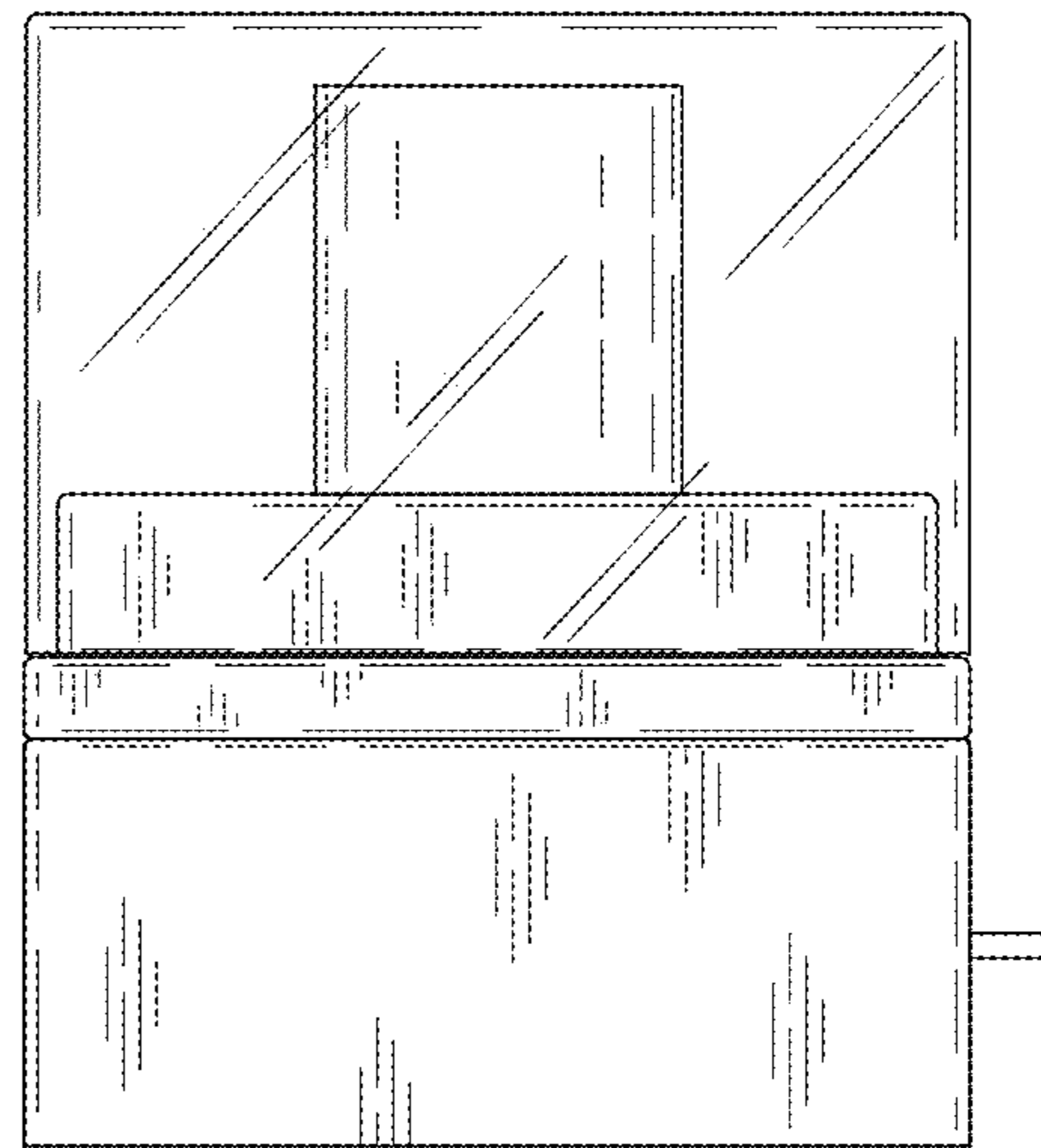


Fig. 6

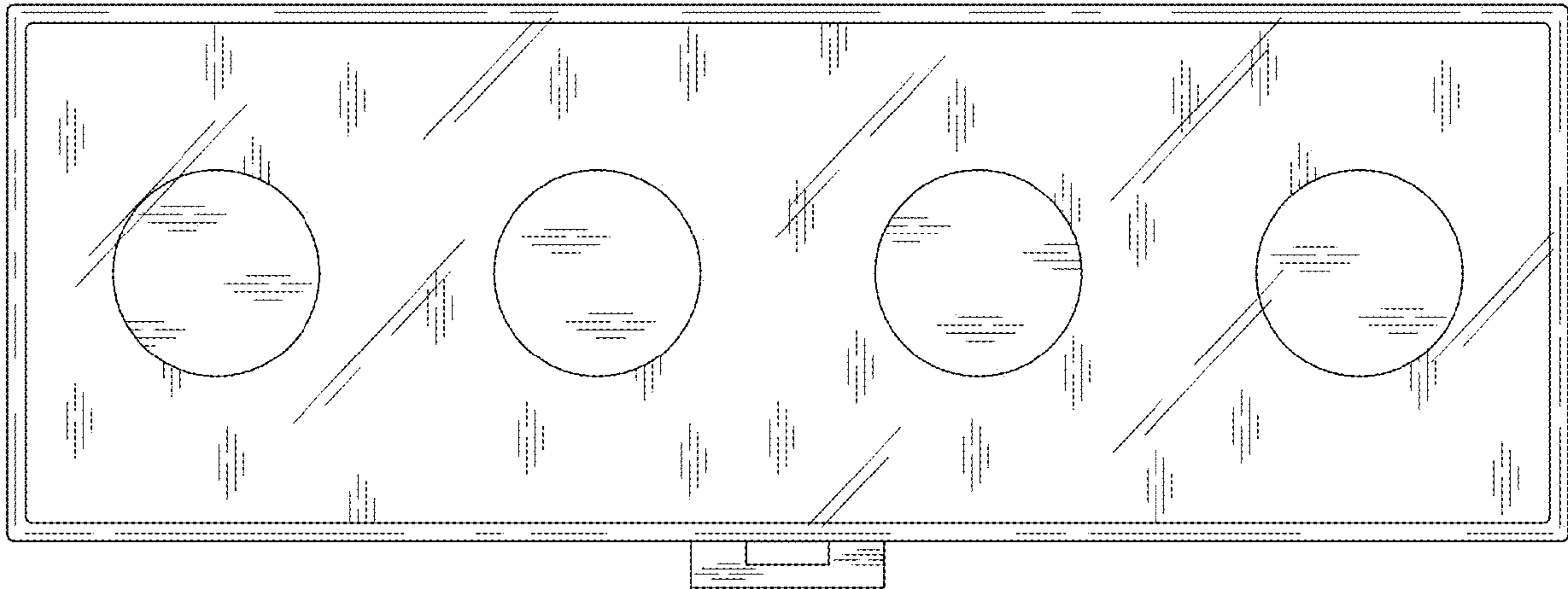


Fig. 7

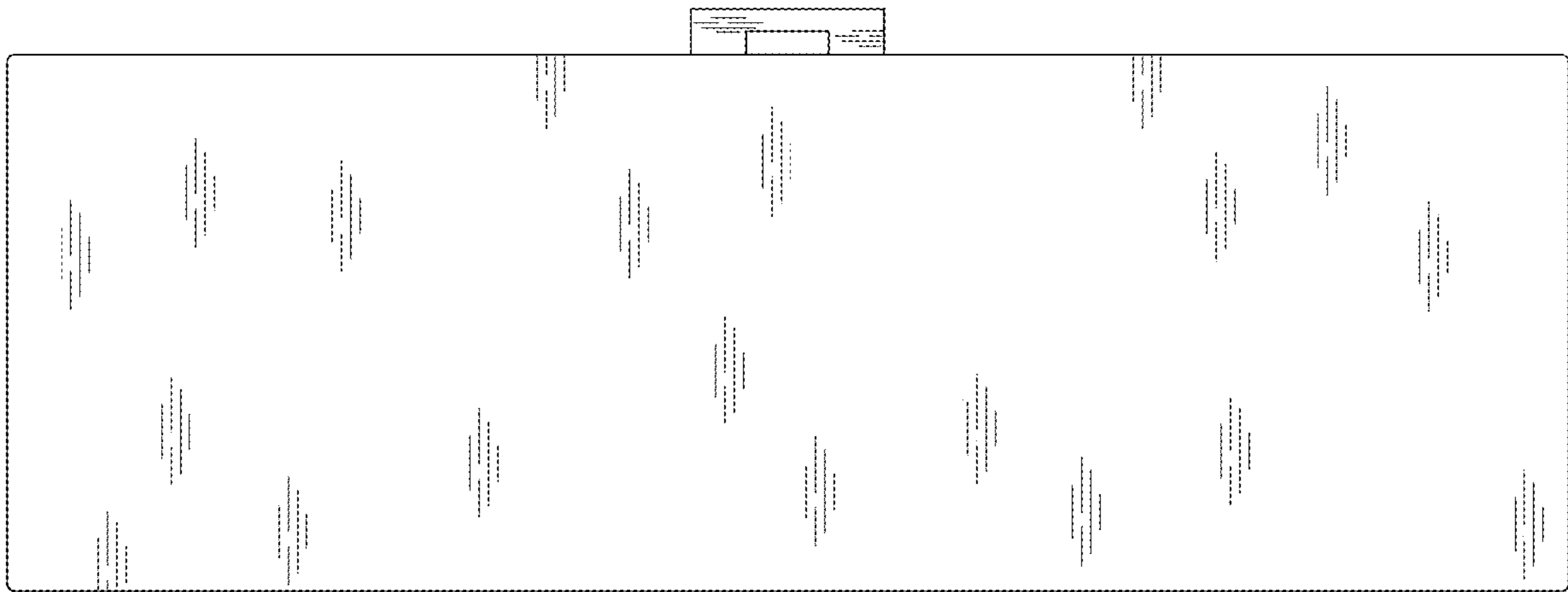


Fig. 8