



US00D945157S

(12) **United States Design Patent** (10) **Patent No.:** **US D945,157 S**
Park (45) **Date of Patent:** **** Mar. 8, 2022**

(54) **STORAGE BOX**

D752,290 S * 3/2016 Beilman D28/73
D874,332 S * 2/2020 Lowy D11/131

(71) Applicant: **Umbra LLC**, Buffalo, NY (US)

* cited by examiner

(72) Inventor: **Sung Wook Park**, Toronto (CA)

Primary Examiner — Kevin K Rudzinski

(73) Assignee: **UMBRA LLC**, Buffalo, NY (US)

Assistant Examiner — Amber J Rabie

(**) Term: **15 Years**

(74) *Attorney, Agent, or Firm* — Simpson & Simpson, PLLC

(21) Appl. No.: **29/743,726**

(57) **CLAIM**

The ornamental design for a storage box, as shown and described.

(22) Filed: **Jul. 23, 2020**

DESCRIPTION

(51) **LOC (13) Cl.** **03-01**

(52) **U.S. Cl.**
USPC **D3/297**

(58) **Field of Classification Search**
USPC D3/273, 294, 295, 297, 298, 901, 903;
D6/671.1
CPC A45D 33/006; A45C 11/16; A47F 7/02
See application file for complete search history.

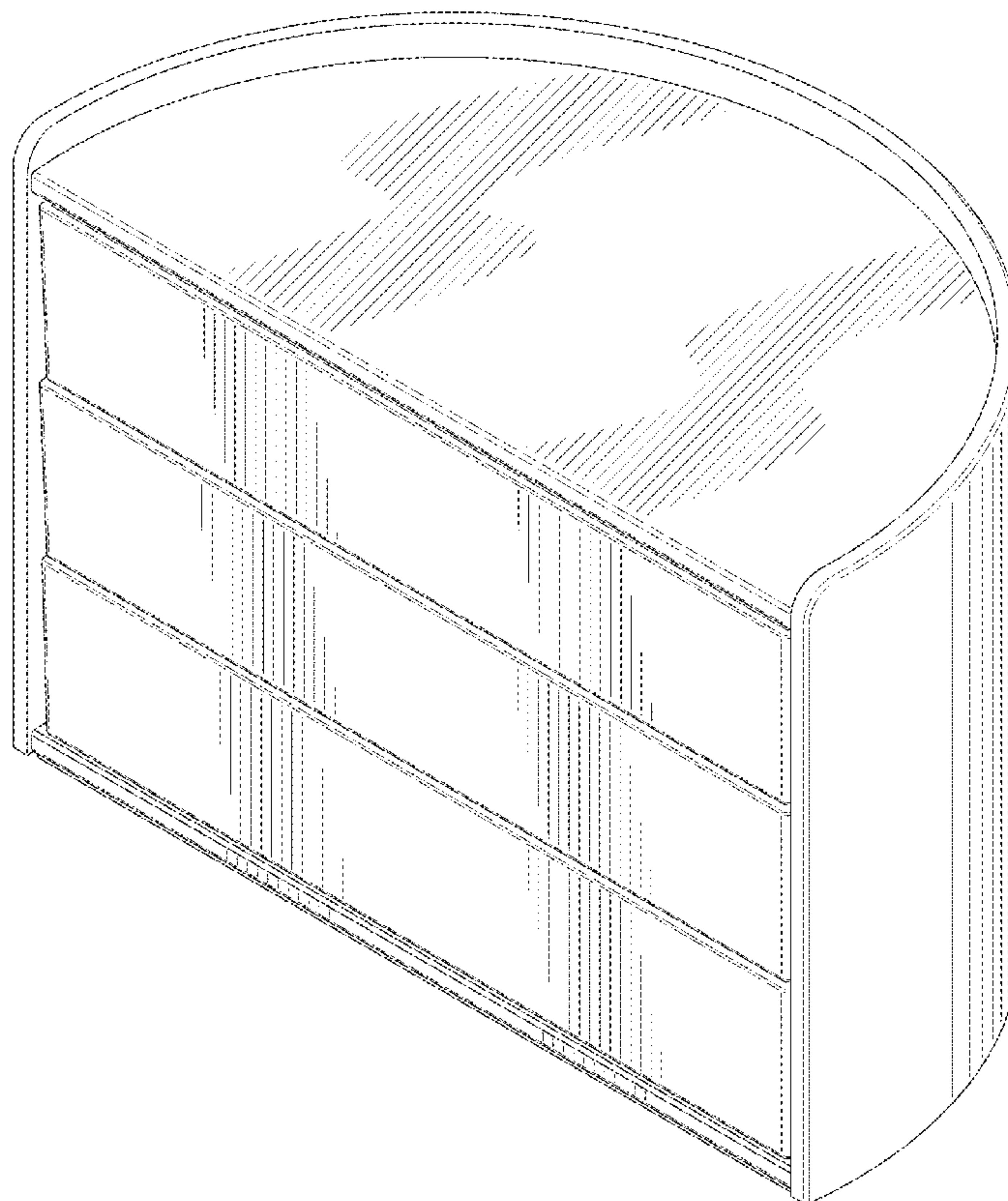
FIG. 1 is a front top perspective view of the storage box of the present invention;
FIG. 2 is a bottom perspective view of the storage box shown in FIG. 1;
FIG. 3 is a front view of the storage box shown in FIG. 1;
FIG. 4 is a rear view of the storage box shown in FIG. 1;
FIG. 5 is a right side view of the storage box shown in FIG. 1;
FIG. 6 is a left side view of the storage box shown in FIG. 1;
FIG. 7 is a top view of the storage box shown in FIG. 1; and,
FIG. 8 is a bottom view of the storage box shown in FIG. 1.
The drawings illustrate a storage box as shown in the drawings. Stippling and/or contoured lines are included in FIGS. 1 through 8 to depict surface curvature, flatness, texture, or other shapes.

(56) **References Cited**

U.S. PATENT DOCUMENTS

D147,482 S *	9/1947	Winterfeld	D6/668.1
D157,362 S *	2/1950	Francis	D6/668.2
D230,332 S *	2/1974	Boeri	D6/697
D268,240 S *	3/1983	Crespi	D6/686
D433,326 S *	11/2000	Srinaul	D3/294
D461,637 S *	8/2002	Kaplan	D3/290
D524,989 S *	7/2006	Lombardi	D28/82

1 Claim, 8 Drawing Sheets



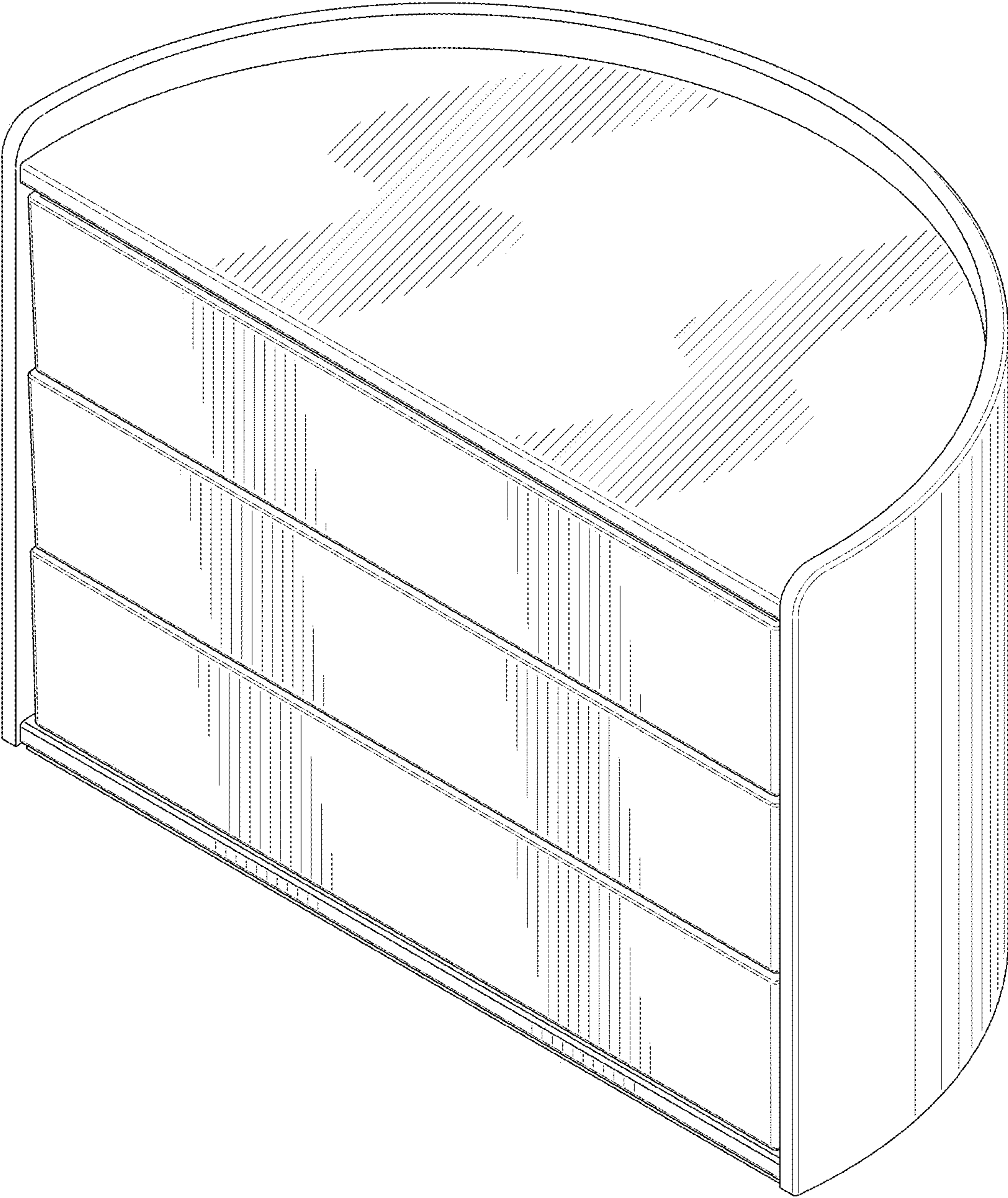


Fig. 1

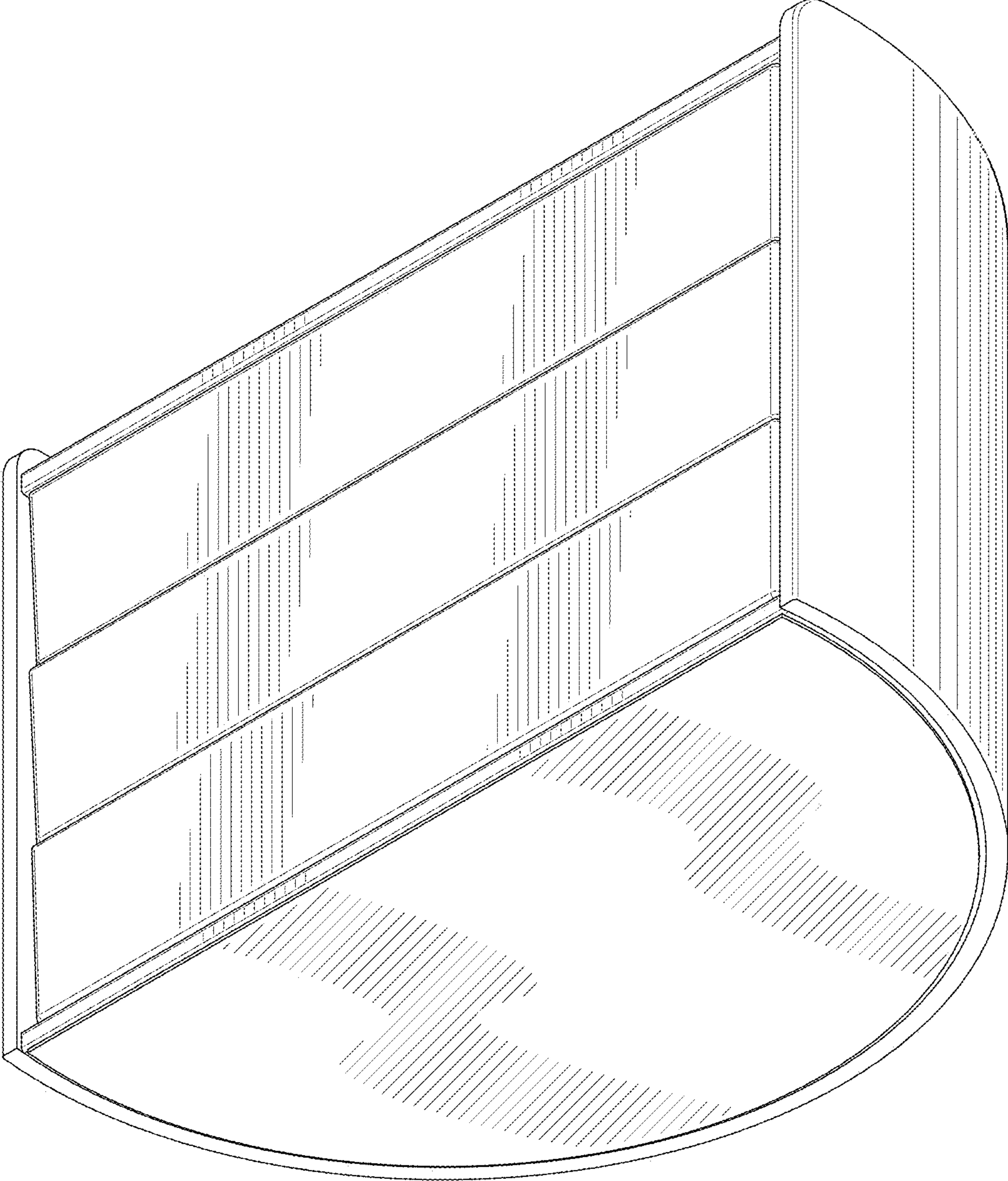


Fig. 2

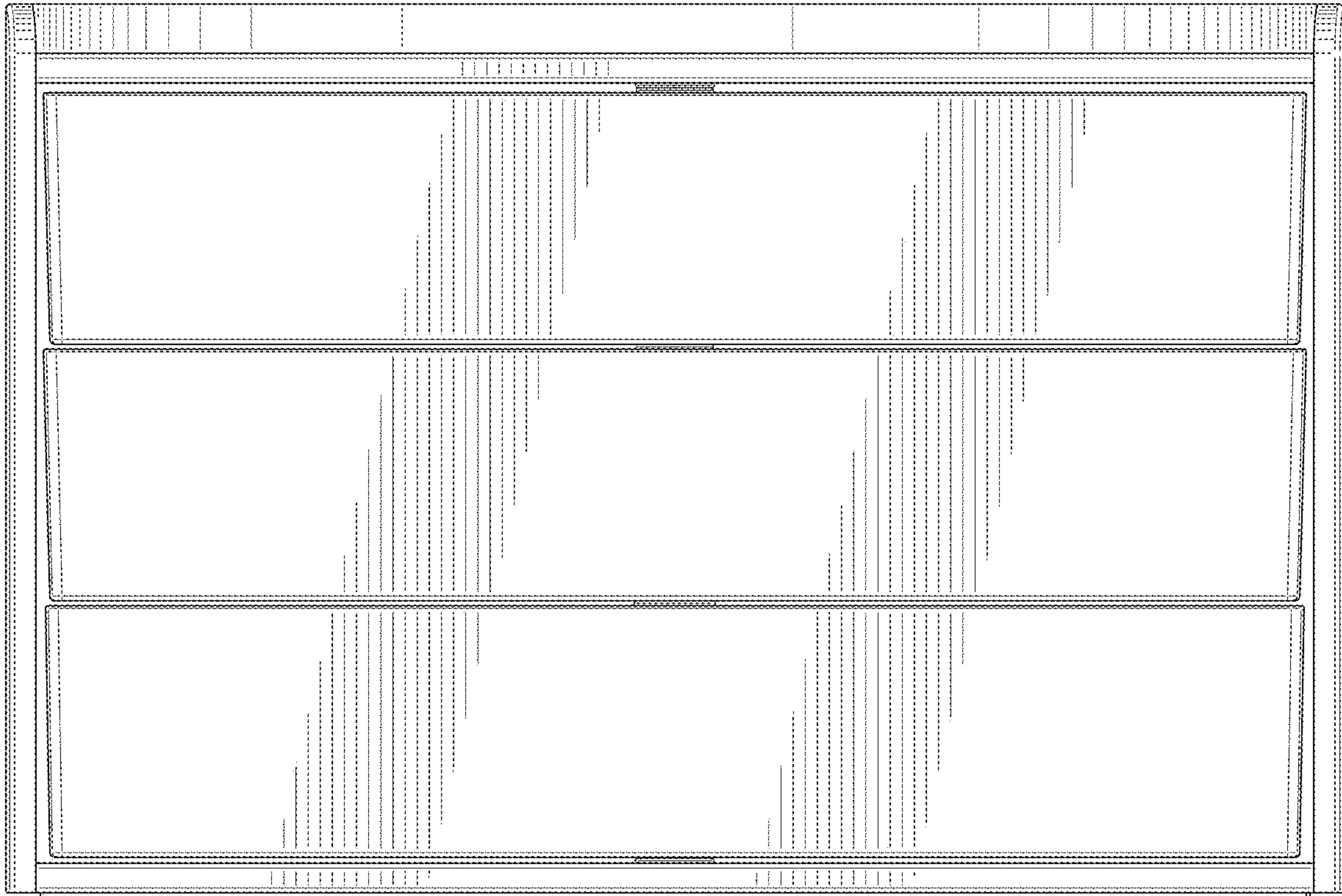


Fig. 3

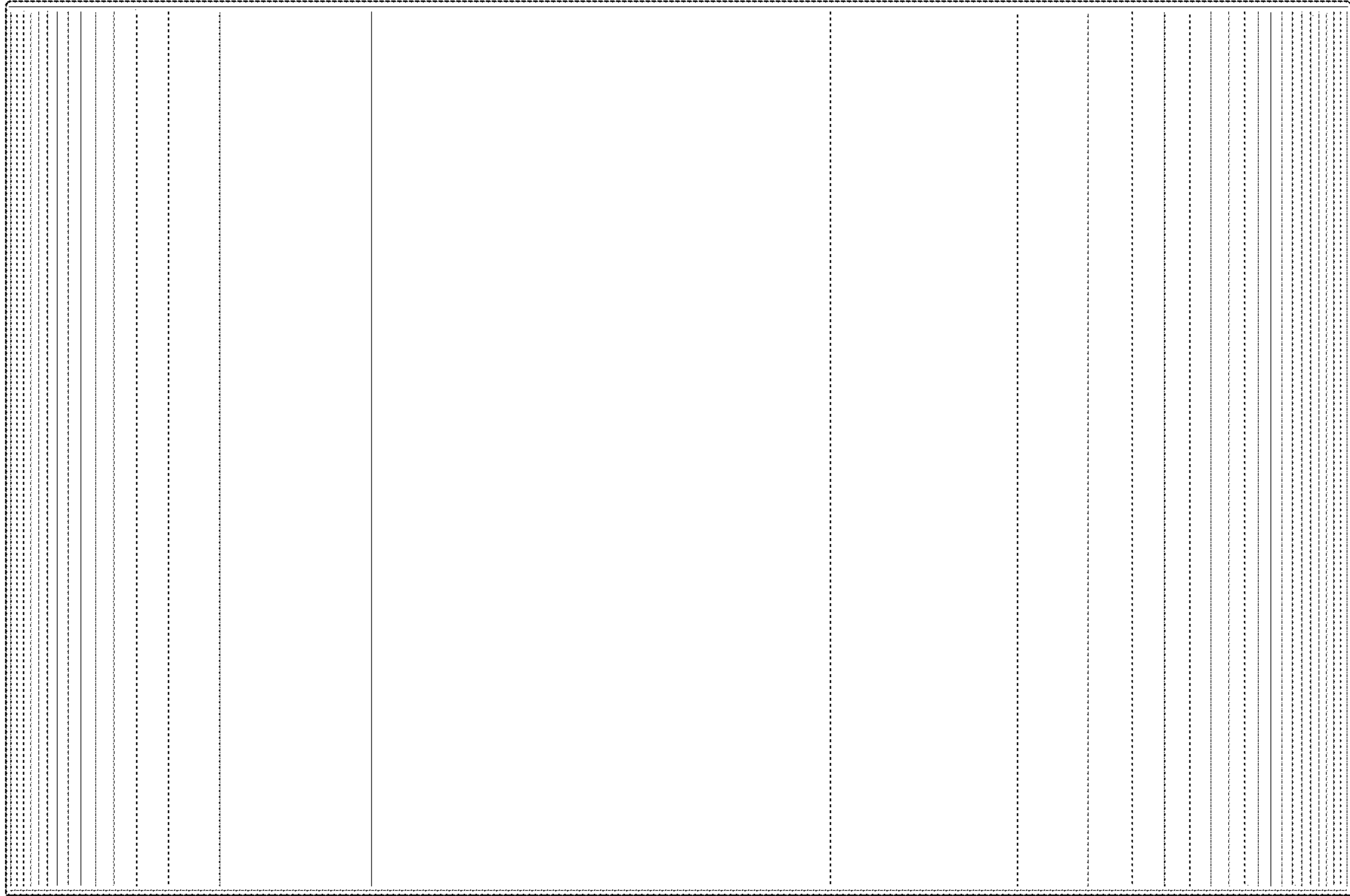


Fig. 4

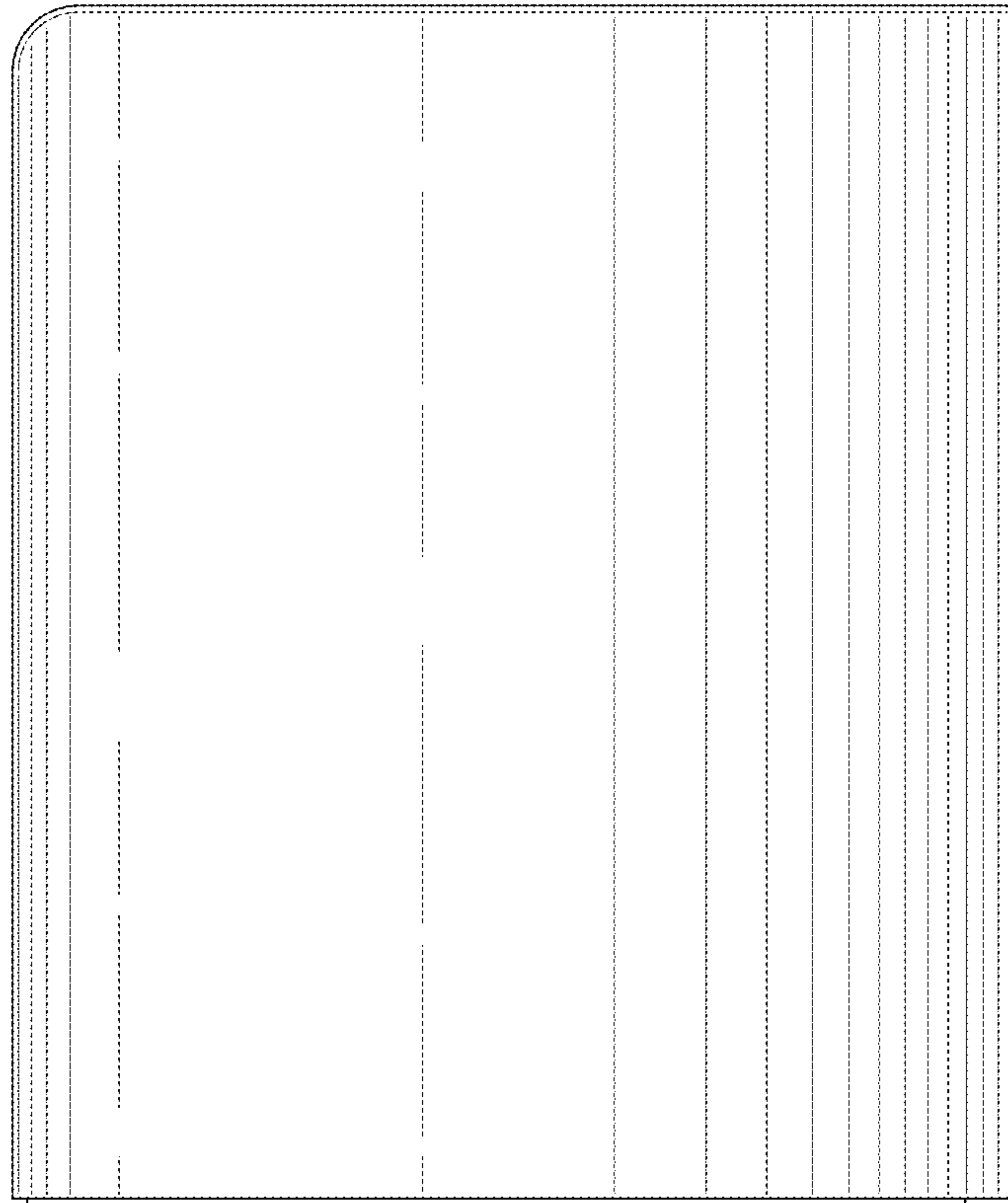


Fig. 5

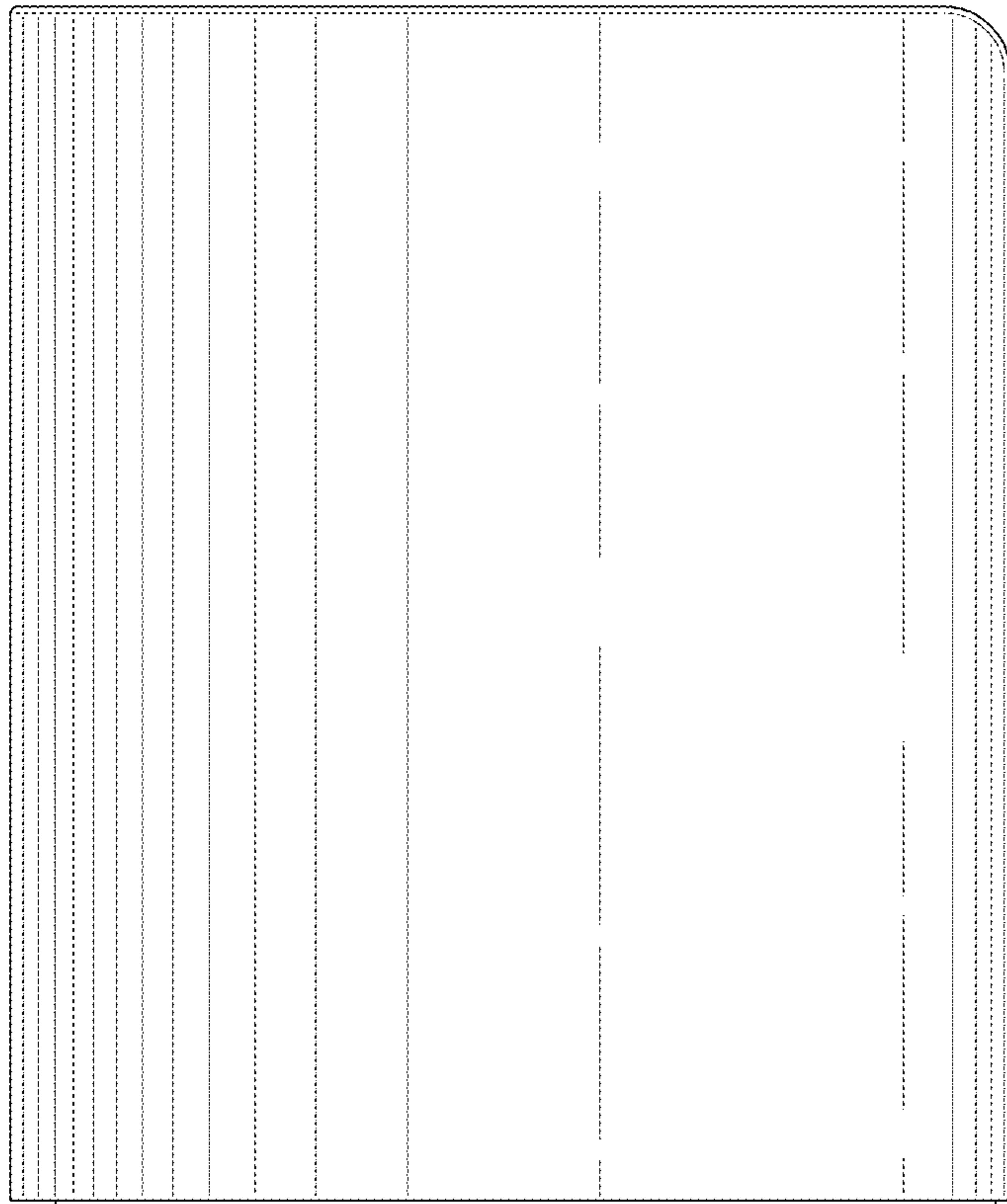


Fig. 6

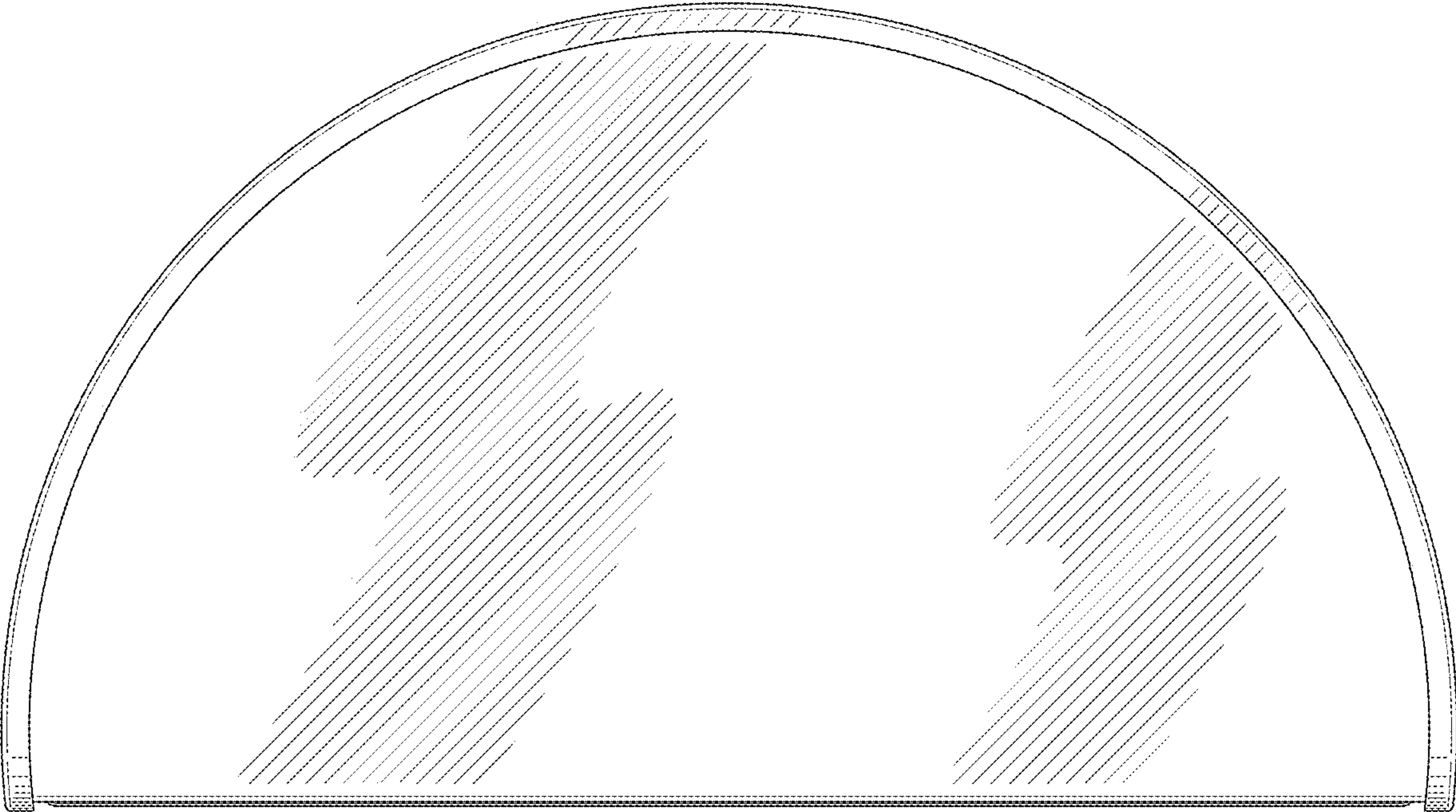


Fig. 7

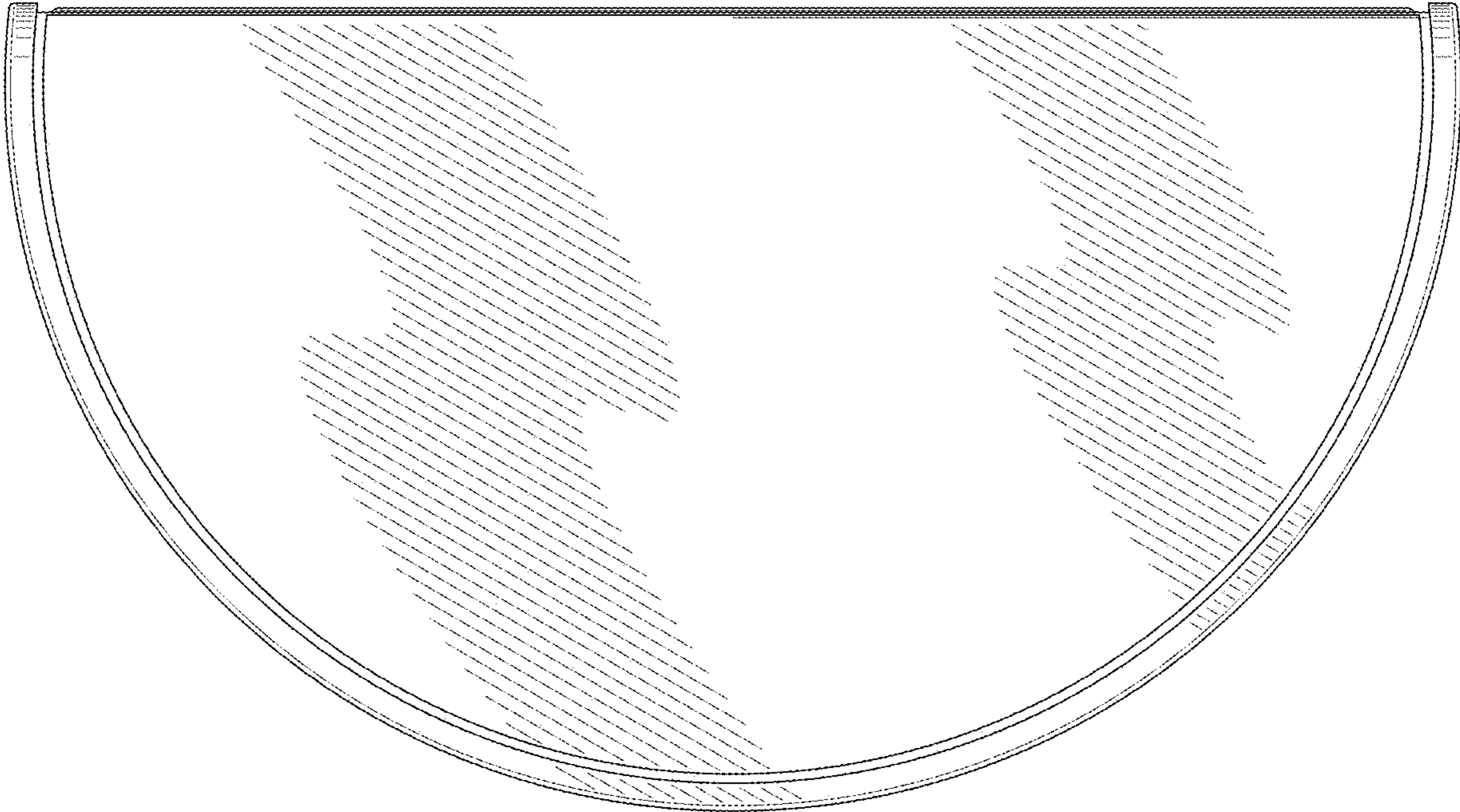


Fig. 8