



US00D945152S

(12) **United States Design Patent**
Wu

(10) **Patent No.:** **US D945,152 S**
(45) **Date of Patent:** **** Mar. 8, 2022**

(54) **MAGNETIC HOLDER FOR PISTOL**

(71) Applicant: **Shenzhen Tactop Industrial Co., LTD,**
ShenZhen (CN)

(72) Inventor: **Kaichang Wu,** ShenZhen (CN)

(**) Term: **15 Years**

(21) Appl. No.: **29/768,671**

(22) Filed: **Jan. 31, 2021**

(51) **LOC (13) Cl.** **03-01**

(52) **U.S. Cl.**
USPC **D3/222**

(58) **Field of Classification Search**

USPC D3/222-223, 224, 226, 228, 269
CPC A45F 3/14; A45F 5/00; A45F 5/021; A45F
5/022; A45F 2200/05; A45F 2005/05;
A45F 2200/025; A45F 2200/0591; F41C
33/02; F41C 33/06; F41C 33/0209; F41C
33/0236; F41C 33/041; F41C 33/045;
F41C 33/046; F41C 33/0227; F41C
33/0254; F41C 33/0263; F41C 33/0218

See application file for complete search history.

(56) **References Cited**

U.S. PATENT DOCUMENTS

D567,501 S *	4/2008	Zusman	D3/222
D592,850 S *	5/2009	Shen	D3/222
D681,943 S *	5/2013	Beard	D3/222
D713,365 S	9/2014	Green		
D724,314 S *	3/2015	Faifer	D3/222
D740,021 S *	10/2015	Faifer	D3/222
D776,424 S *	1/2017	Faifer	D3/222
D828,019 S *	9/2018	Dara	D3/222
D841,320 S *	2/2019	Tang	D3/222

10,274,296 B2 *	4/2019	Tedder	F42B 39/02
10,302,391 B1 *	5/2019	Akar	F41C 33/0263
D860,642 S *	9/2019	Dara	D3/222
10,619,974 B2 *	4/2020	Smith	A45F 5/021
D895,274 S *	9/2020	Dara	D3/222
D906,665 S *	1/2021	Wilson	D3/222
D912,399 S *	3/2021	Sun	D3/222
10,996,024 B2 *	5/2021	Smith	F41C 33/0263
D925,216 S *	7/2021	Wu	D3/222
D928,503 S *	8/2021	Cai	D3/222
11,098,979 B2 *	8/2021	Hellweg	F41C 33/0263
11,209,240 B2 *	12/2021	Treto	F41C 33/0263
11,209,241 B2 *	12/2021	Pellegrini	F41C 33/0263
2005/0268518 A1 *	12/2005	Pikielny	F41C 33/0236 42/90
2011/0101063 A1 *	5/2011	Zusman	F41C 33/0254 224/682
2015/0247701 A1 *	9/2015	Faifer	F41C 33/02 224/244

* cited by examiner

Primary Examiner — Darlington Ly

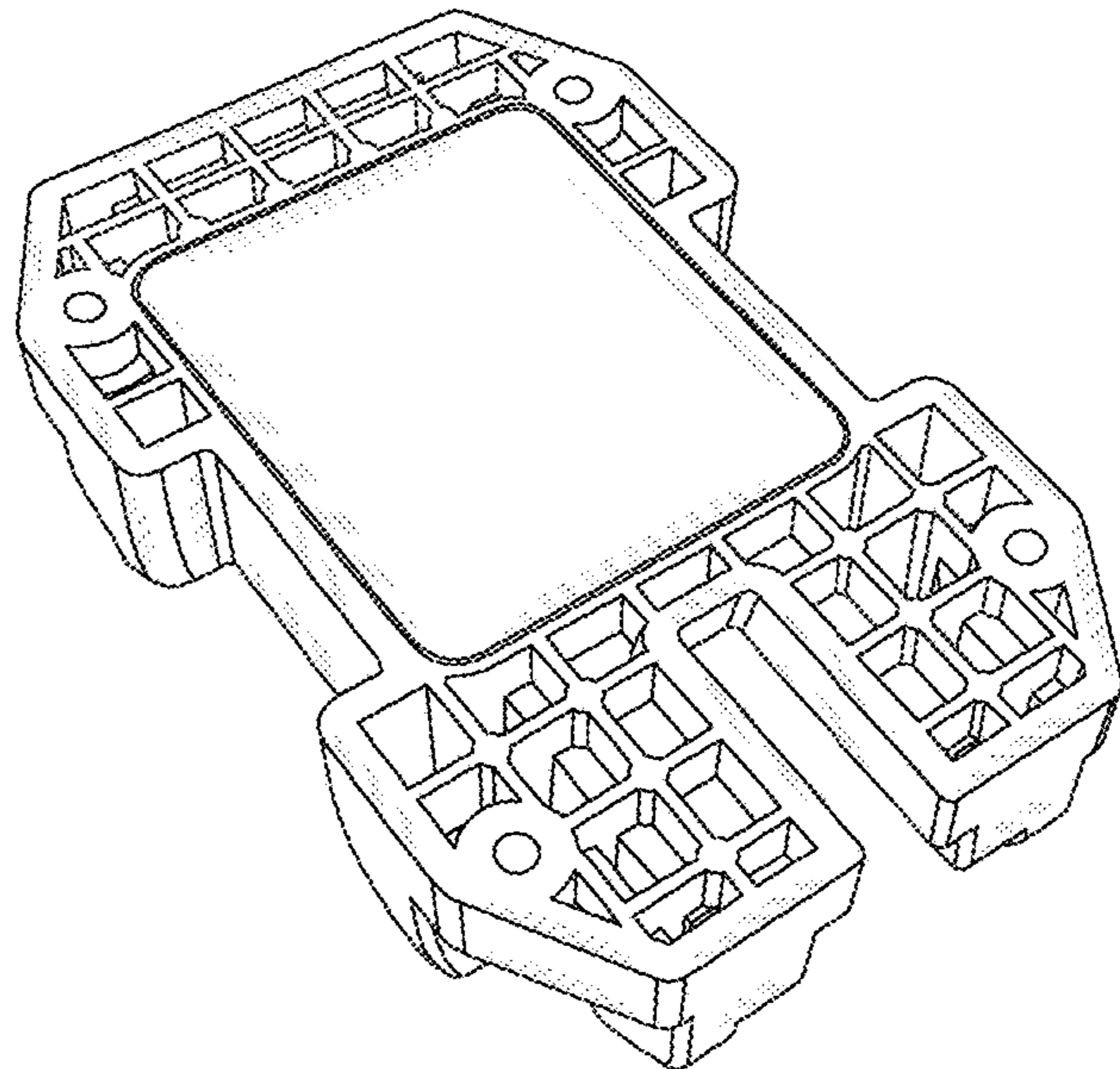
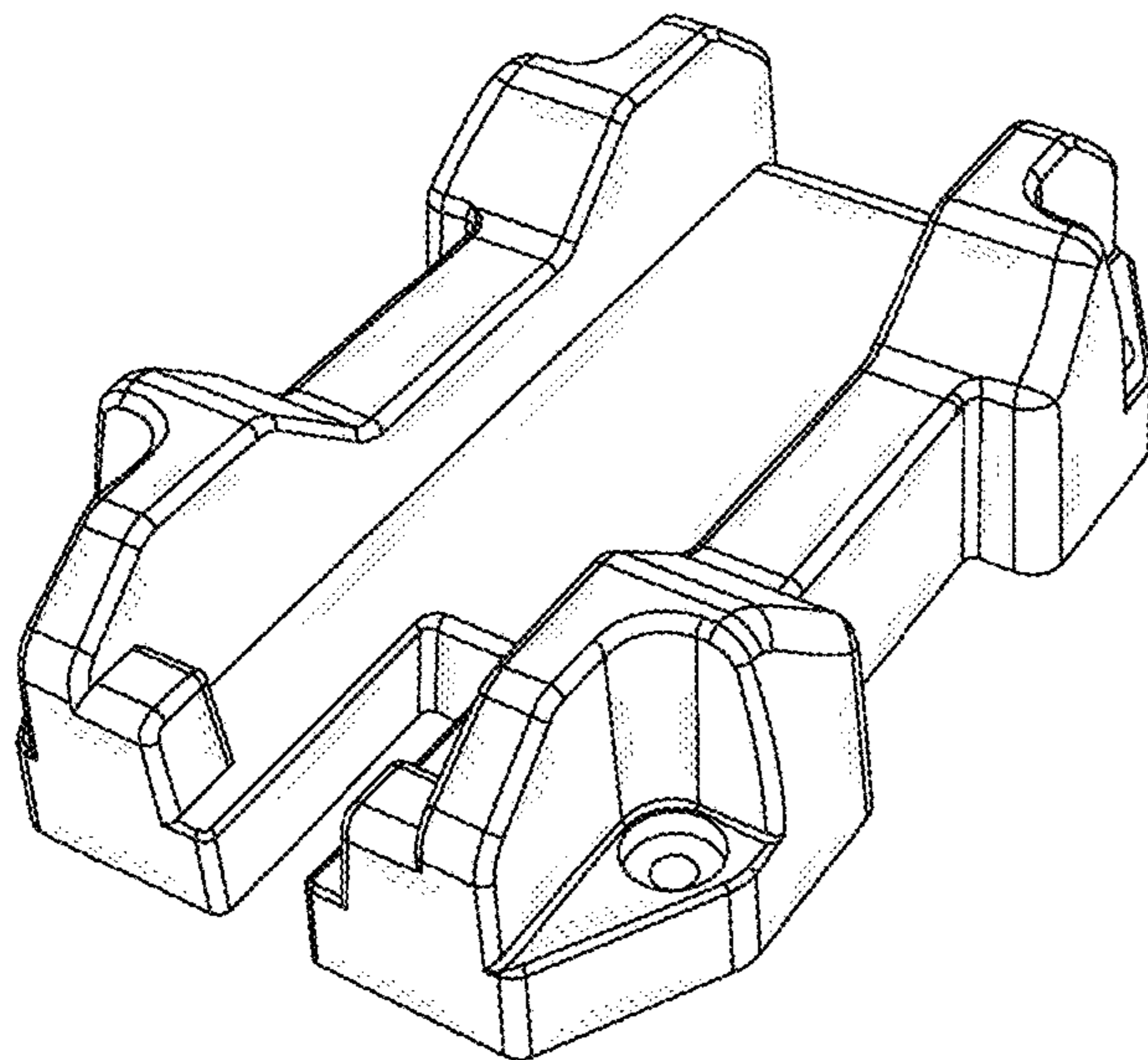
(57) **CLAIM**

The ornamental design for a magnetic holder for pistol, as shown and described.

DESCRIPTION

FIG. 1 is a front elevation view of a magnetic holder for pistol, showing my new design;
FIG. 2 is a rear elevation view thereof;
FIG. 3 is a left side elevation view thereof;
FIG. 4 is a right side elevation view thereof;
FIG. 5 is a top plan view thereof;
FIG. 6 is a bottom plan view thereof;
FIG. 7 is a front and top perspective view thereof; and,
FIG. 8 is a rear and bottom perspective view thereof.

1 Claim, 8 Drawing Sheets



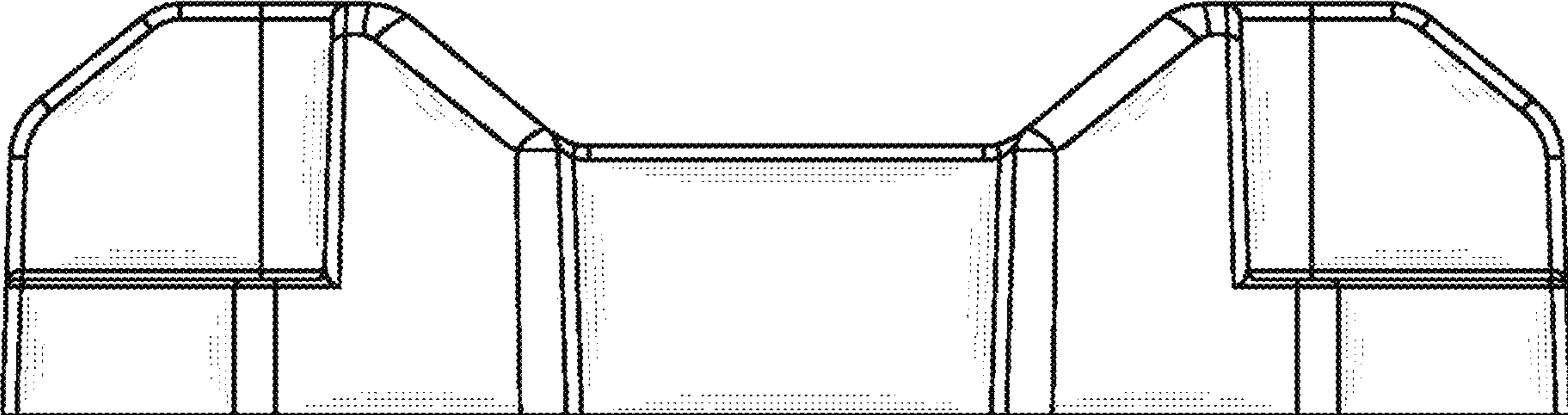


FIG. 1

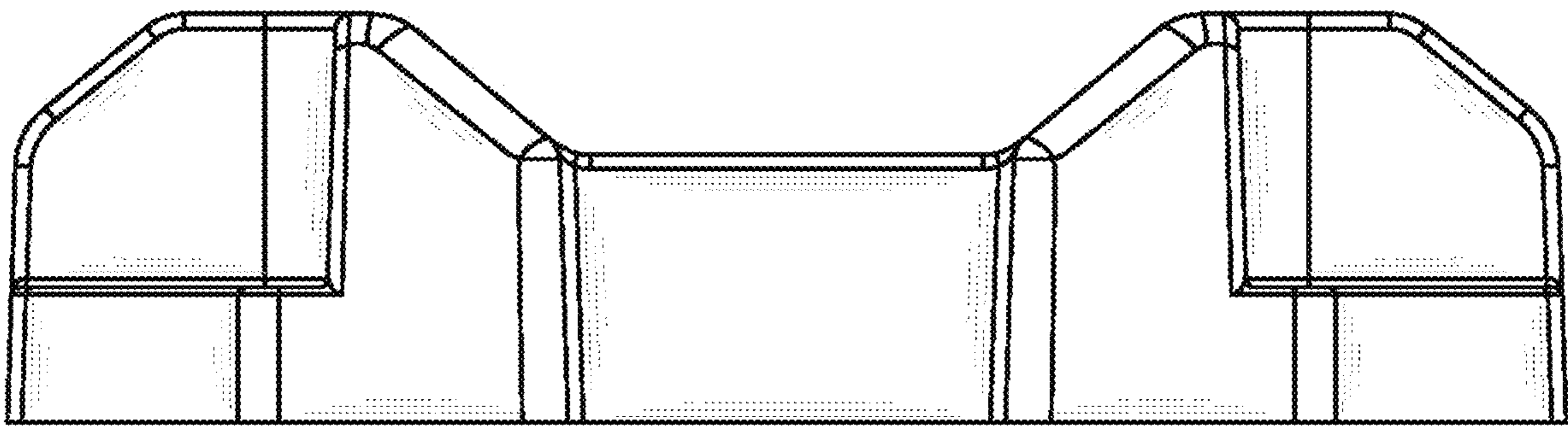


FIG. 2

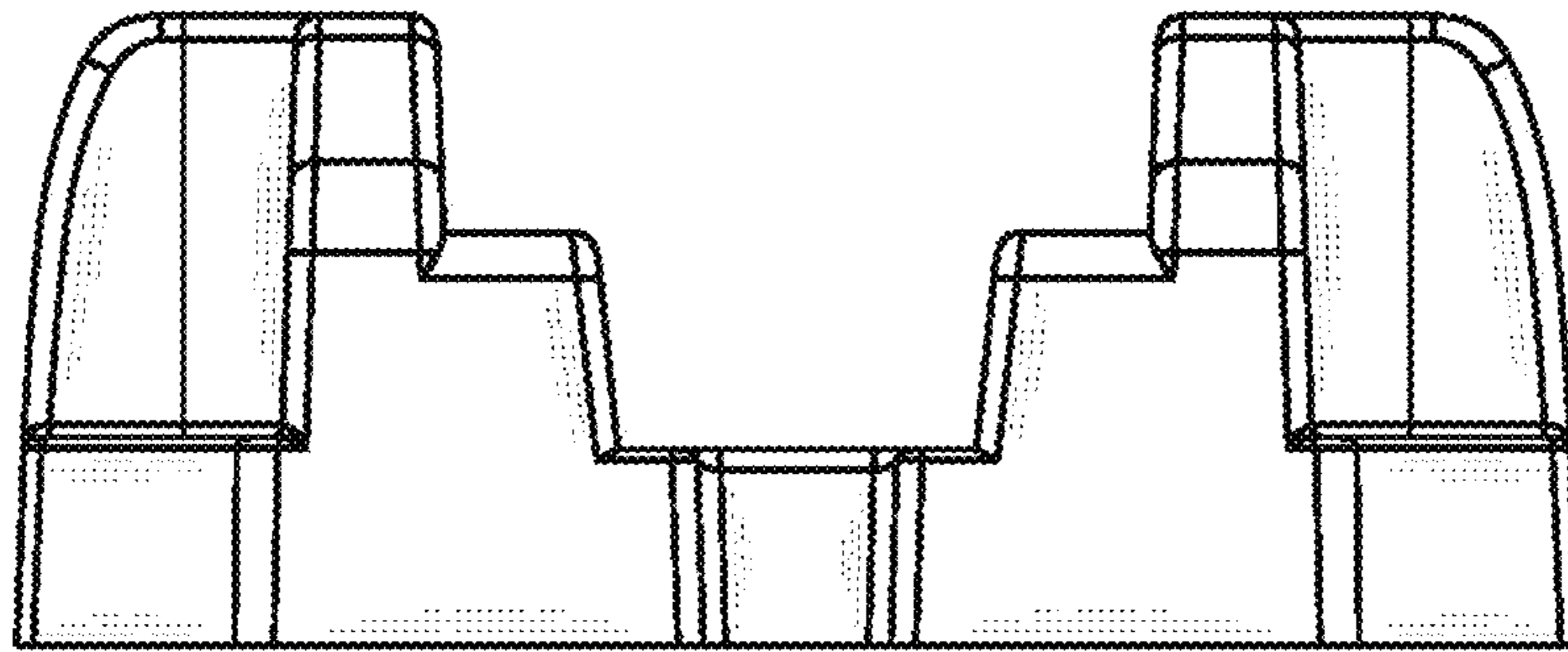


FIG. 3

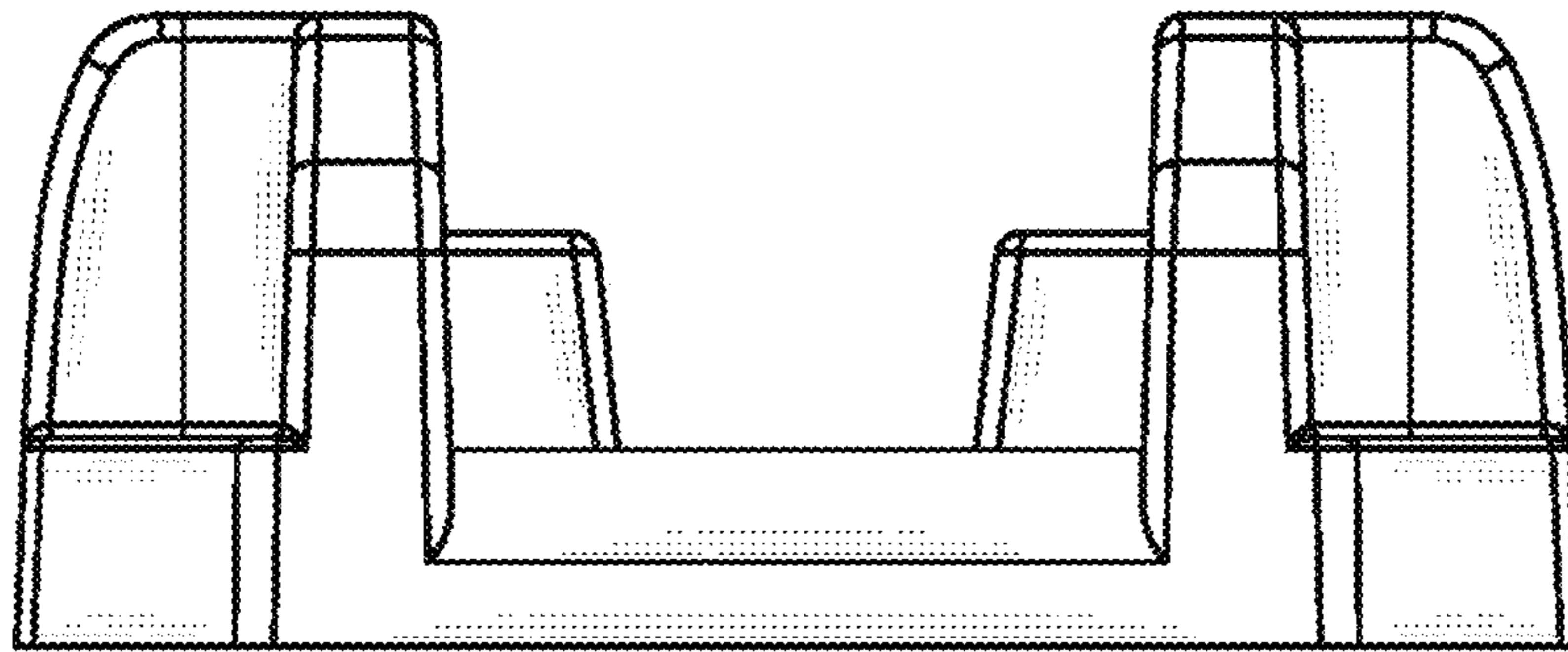


FIG. 4

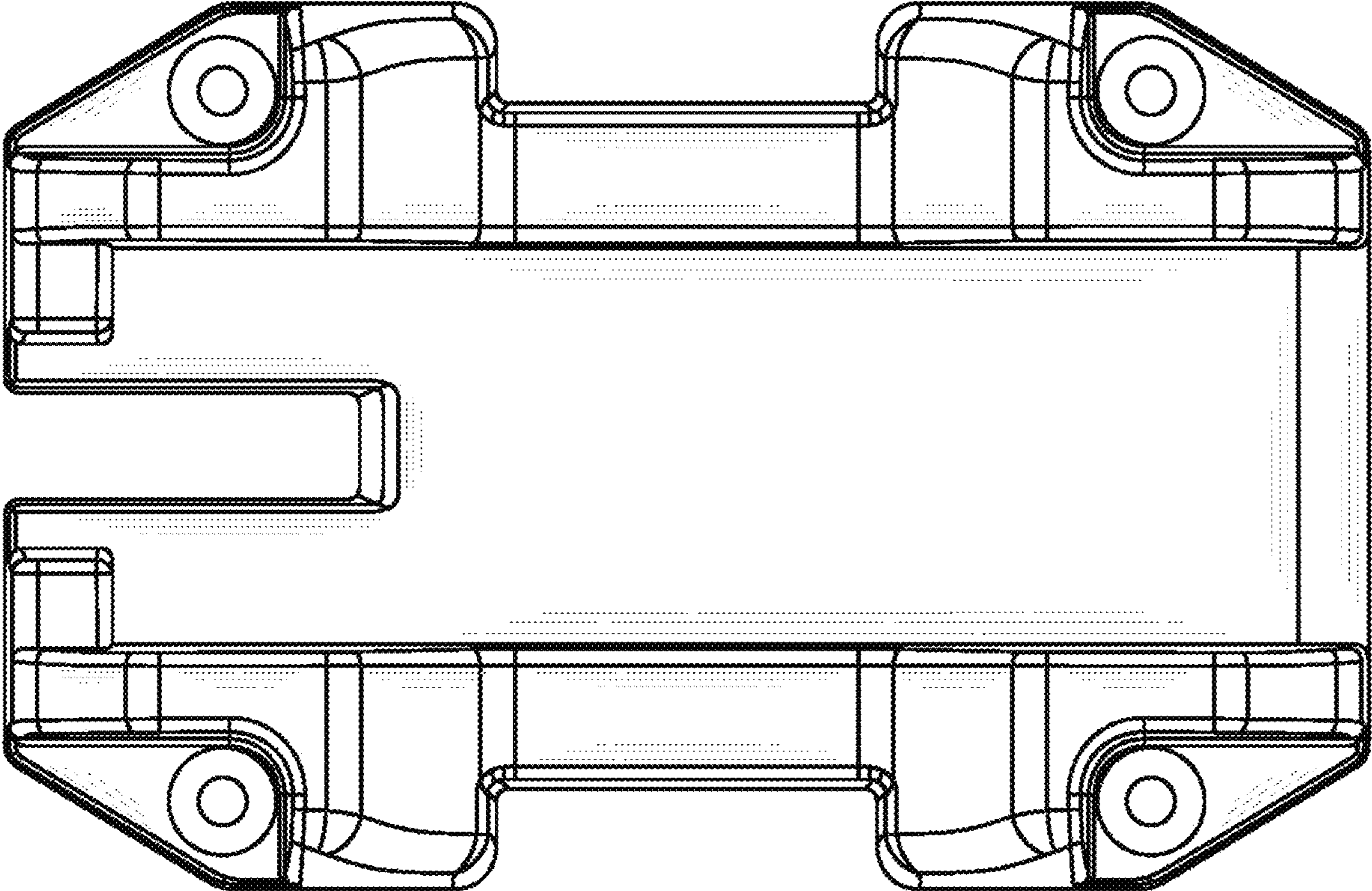


FIG. 5

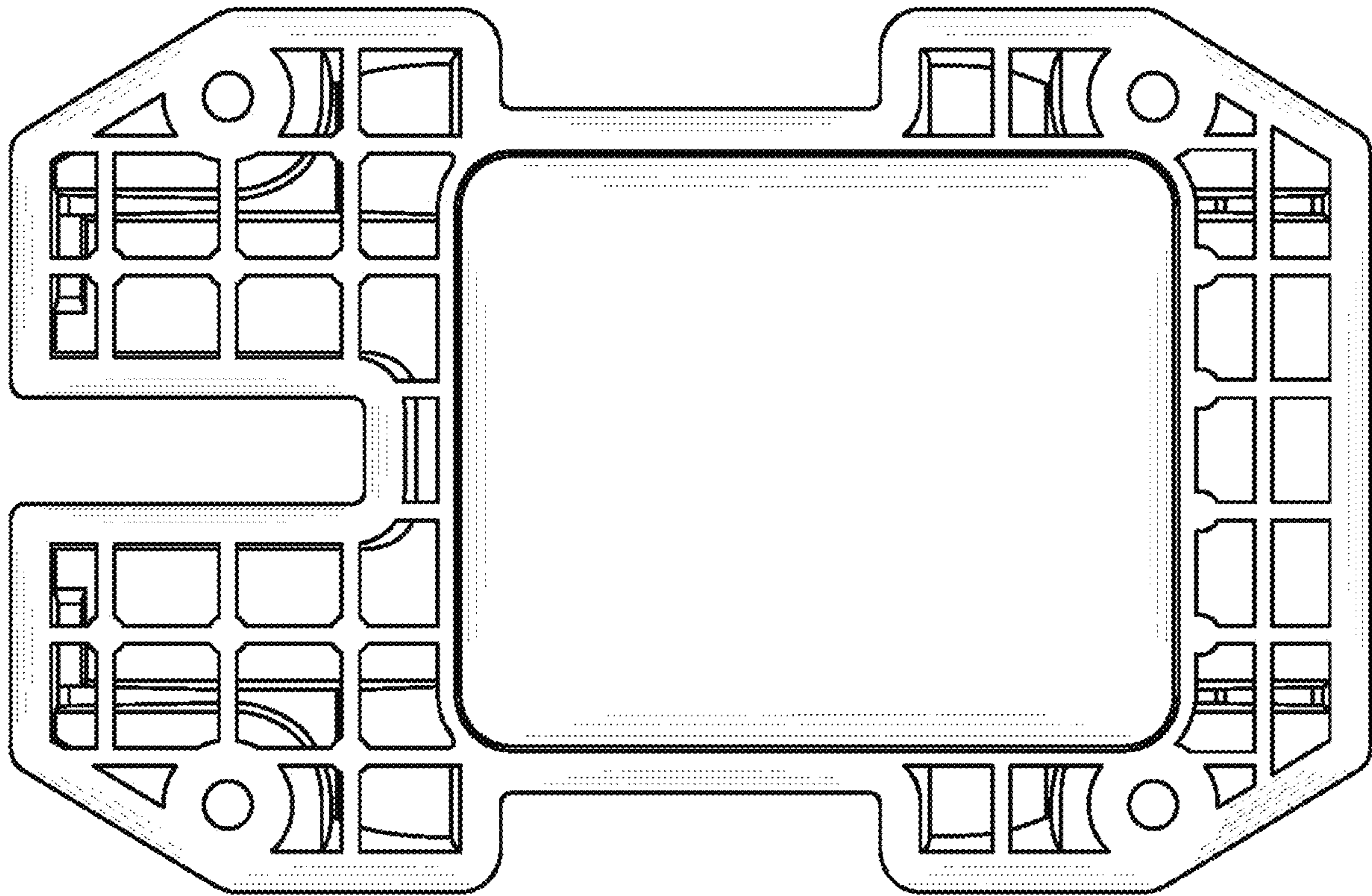


FIG. 6

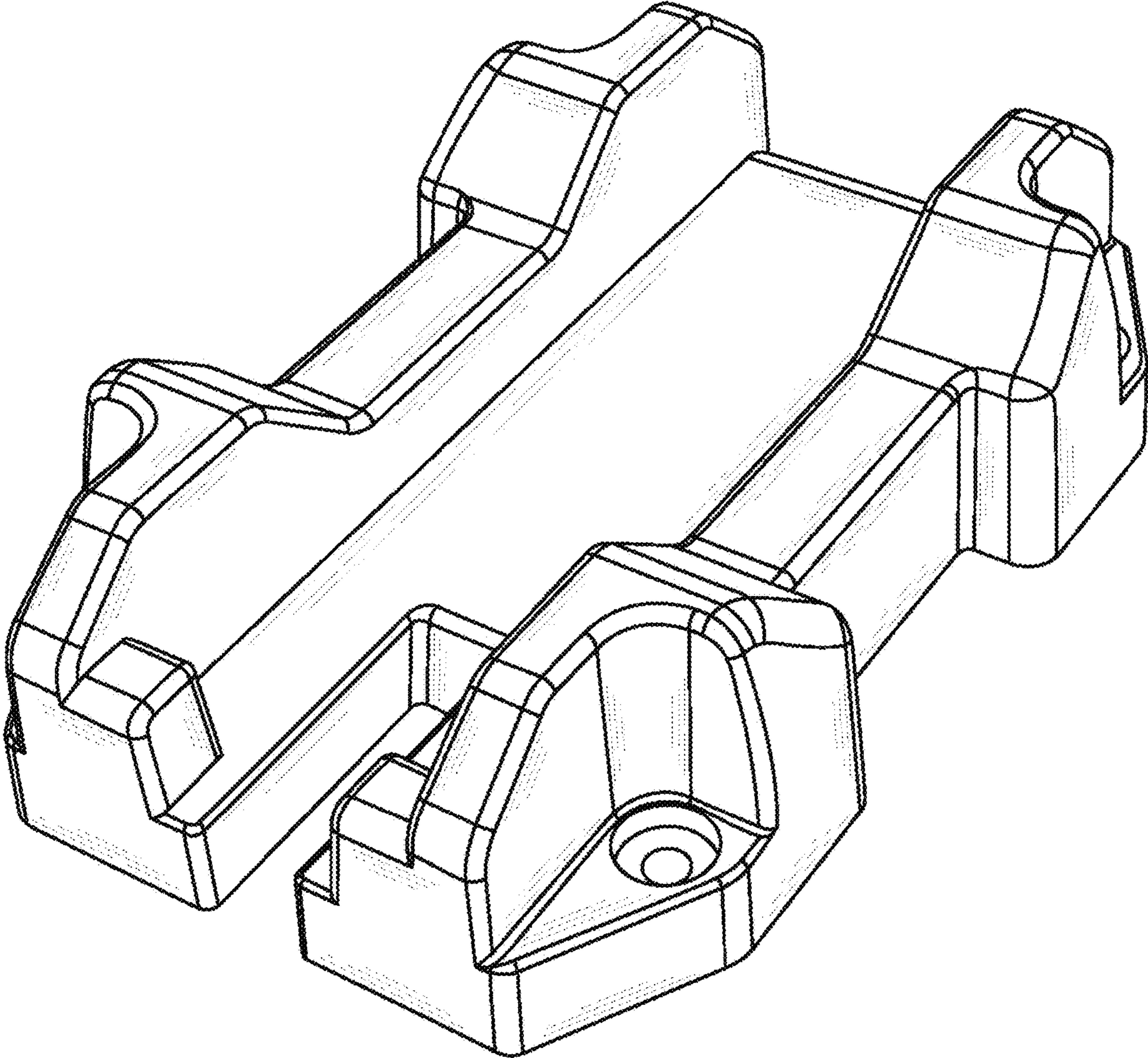


FIG. 7

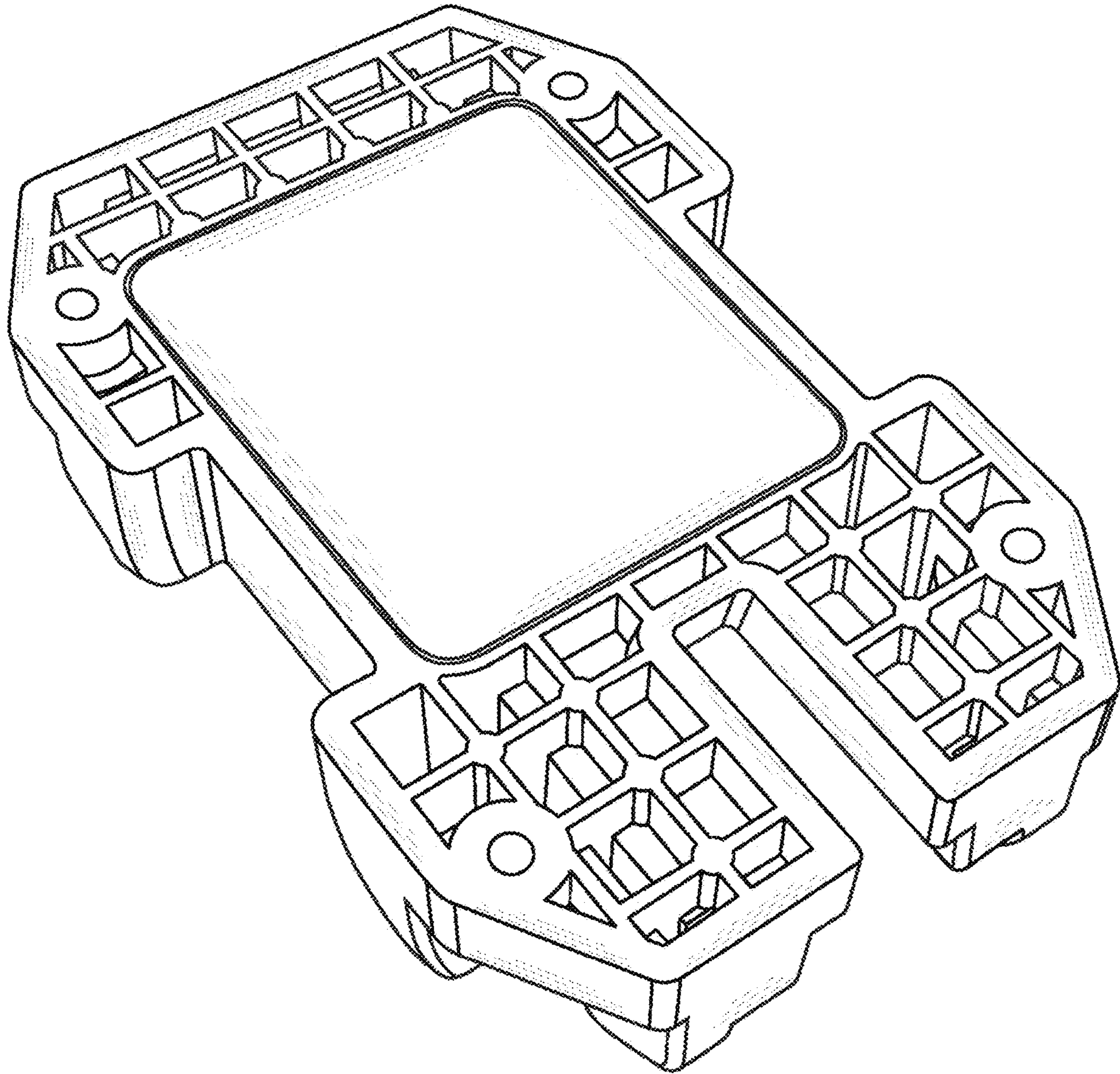


FIG. 8