



US00D945150S

(12) **United States Design Patent** (10) **Patent No.:** **US D945,150 S**
Silva (45) **Date of Patent:** **** Mar. 8, 2022**

(54) **M320 AND M320A1 GRENADE LAUNCHER
HOLSTER**

(71) Applicant: **John Silva**, Fayetteville, NC (US)

(72) Inventor: **John Silva**, Fayetteville, NC (US)

(**) Term: **15 Years**

(21) Appl. No.: **29/737,025**

(22) Filed: **Jun. 4, 2020**

(51) **LOC (13) Cl.** **03-01**

(52) **U.S. Cl.**

USPC **D3/222**

(58) **Field of Classification Search**

USPC D2/627, 629, 639; D3/215, 220–226,
D3/228–230, 262, 269, 303–304, 318,
D3/327–328, 218; D8/71; D22/108–109,
D22/117–118, 199; D19/75, 77, 81,
D19/84–85, 102, 107

CPC F41C 33/001; F41C 33/002; F41C 33/003;
F41C 33/01; F41C 33/0209; F41C
33/0227; F41C 33/0236; F41C 33/0254;
F41C 33/0263; F41C 33/041; F41C
33/043; F41C 33/045; F41C 33/046;
F41C 33/048; F41C 33/06; A45F 3/005;
A45F 3/02; A45F 3/06; A45F 3/14; A45F
2003/001; A45F 2003/006; A45F
2003/007; A45F 2003/045; A45F
2003/047; A45F 2003/148; A45F 5/00;
A45F 5/02; A45F 5/021; A45F 2005/025;
A45F 2200/025; A45F 2200/05; A45F
2200/0525; A45F 2200/0508; A45F

(Continued)

(56) **References Cited**

U.S. PATENT DOCUMENTS

D383,826 S * 9/1997 Weigand D22/109
6,497,349 B1 * 12/2002 Ramirez A45F 5/00
224/200

(Continued)

OTHER PUBLICATIONS

S&S Precision Old Gen HK GLM Grenade Launcher Holster, unknown available date, worthpoint.com [online], [site visited Oct. 5, 2021], Available at internet URL: <https://www.worthpoint.com/worthopedia/s-precision-gen-hk-glm-grenade-1876292879> (Year: 2021).*

(Continued)

Primary Examiner — Jeffrey D Asch

Assistant Examiner — Caitlin A Laverty

(74) *Attorney, Agent, or Firm* — Ashley D. Johnson;
Dogwood Patent and Trademark Law

(57) **CLAIM**

The ornamental design for a M320 and M320A1 grenade launcher holster, as shown and described.

DESCRIPTION

FIG. 1 is a front perspective view of a new design for a M320 and M320A1 grenade launcher holster.

FIG. 2 is a front view of a new design for a M320 and M320A1 grenade launcher holster.

FIG. 3 is a rear view of a new design for a M320 and M320A1 grenade launcher holster.

FIG. 4 is a left side view of a new design for a M320 and M320A1 grenade launcher holster.

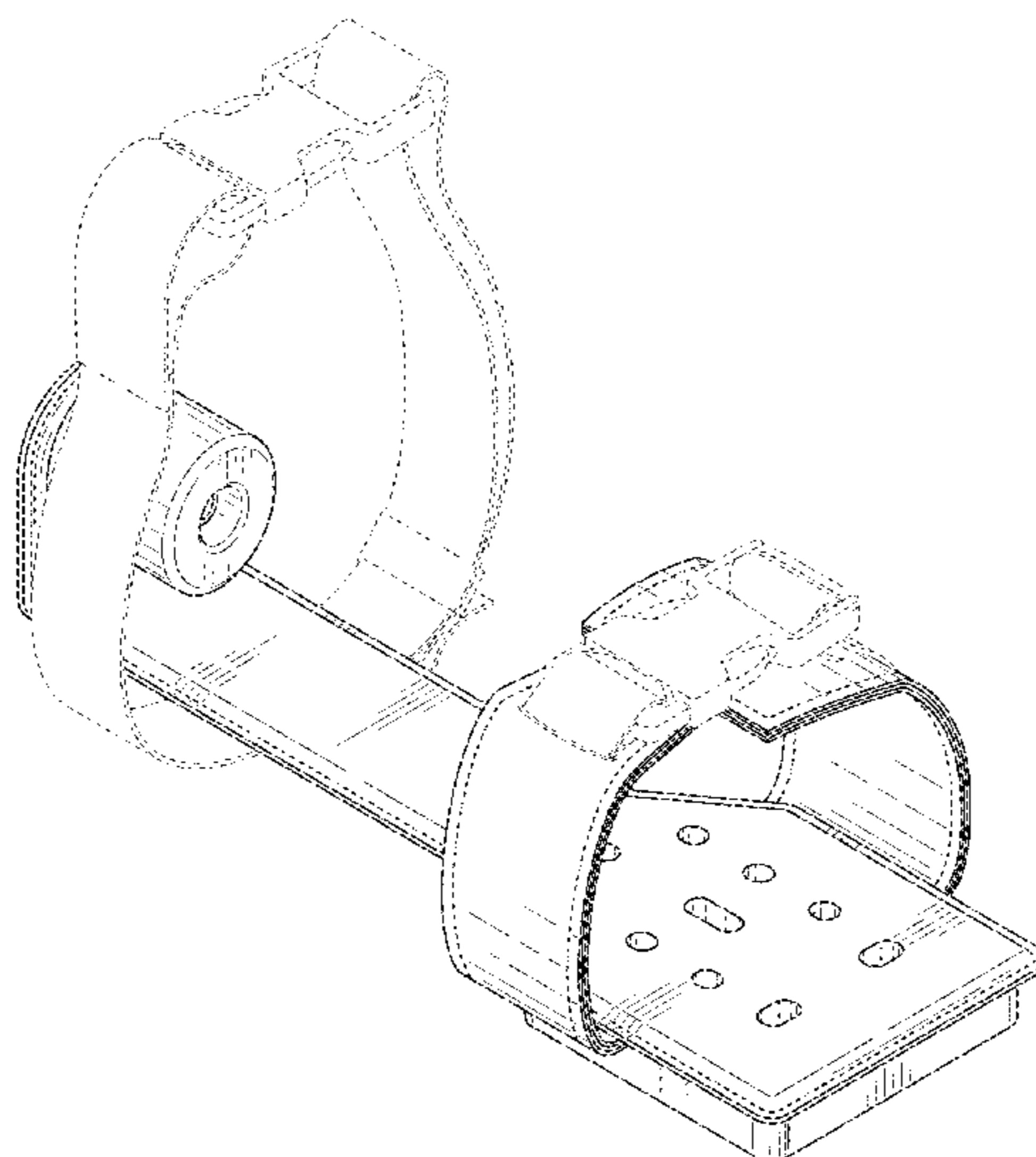
FIG. 5 is a right side view of a new design for a M320 and M320A1 grenade launcher holster.

FIG. 6 is a top view of a new design for a M320 and M320A1 grenade launcher holster; and,

FIG. 7 is a bottom view of a new design for a M320 and M320A1 grenade launcher holster.

The broken lines in the drawing with no shading within the boundary represent portions of the M320 and M320A1 grenade launcher holster and form no part of the claimed design. The broken lines in the drawings with shading adjacent represent stitching and do not form part of the claimed design.

1 Claim, 7 Drawing Sheets



(58) **Field of Classification Search**

CPC 2200/0516; A45F 2200/0575; A45F
2200/0591; A45C 11/04; A41F 11/00;
A41F 11/16; Y10S 224/911

See application file for complete search history.

(56) **References Cited**

U.S. PATENT DOCUMENTS

D554,730 S * 11/2007 Coggins D22/110
D556,290 S * 11/2007 Swan D22/108
D754,277 S * 4/2016 Wisecup D22/117
D836,179 S * 12/2018 Mezynski D22/108
D881,682 S * 4/2020 Yang D8/367
11,029,126 B1 * 6/2021 Silva F41C 33/0245
11,129,465 B1 * 9/2021 Goslin A45F 5/00
2019/0017777 A1 * 1/2019 Wilson F41C 23/04

OTHER PUBLICATIONS

YouTube user S&S Precision, Grenade Launcher Holster, video
posted Jan. 2, 2015, youtube.com [online], [site visited Oct. 5,
2021], Available at internet URL: [https://www.youtube.com/watch?
v=TQvdd3GHDEg](https://www.youtube.com/watch?v=TQvdd3GHDEg) (Year: 2015).*

* cited by examiner

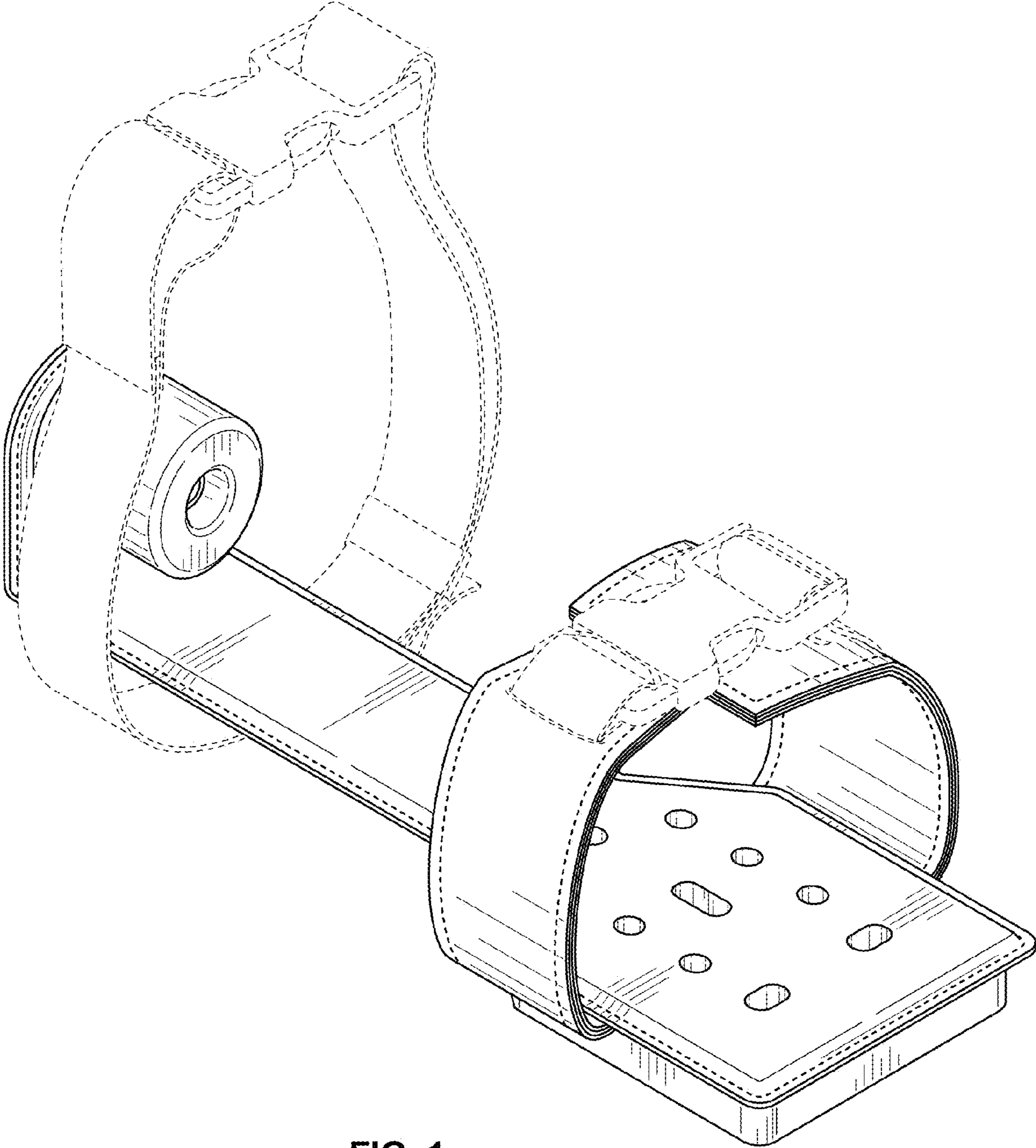


FIG. 1

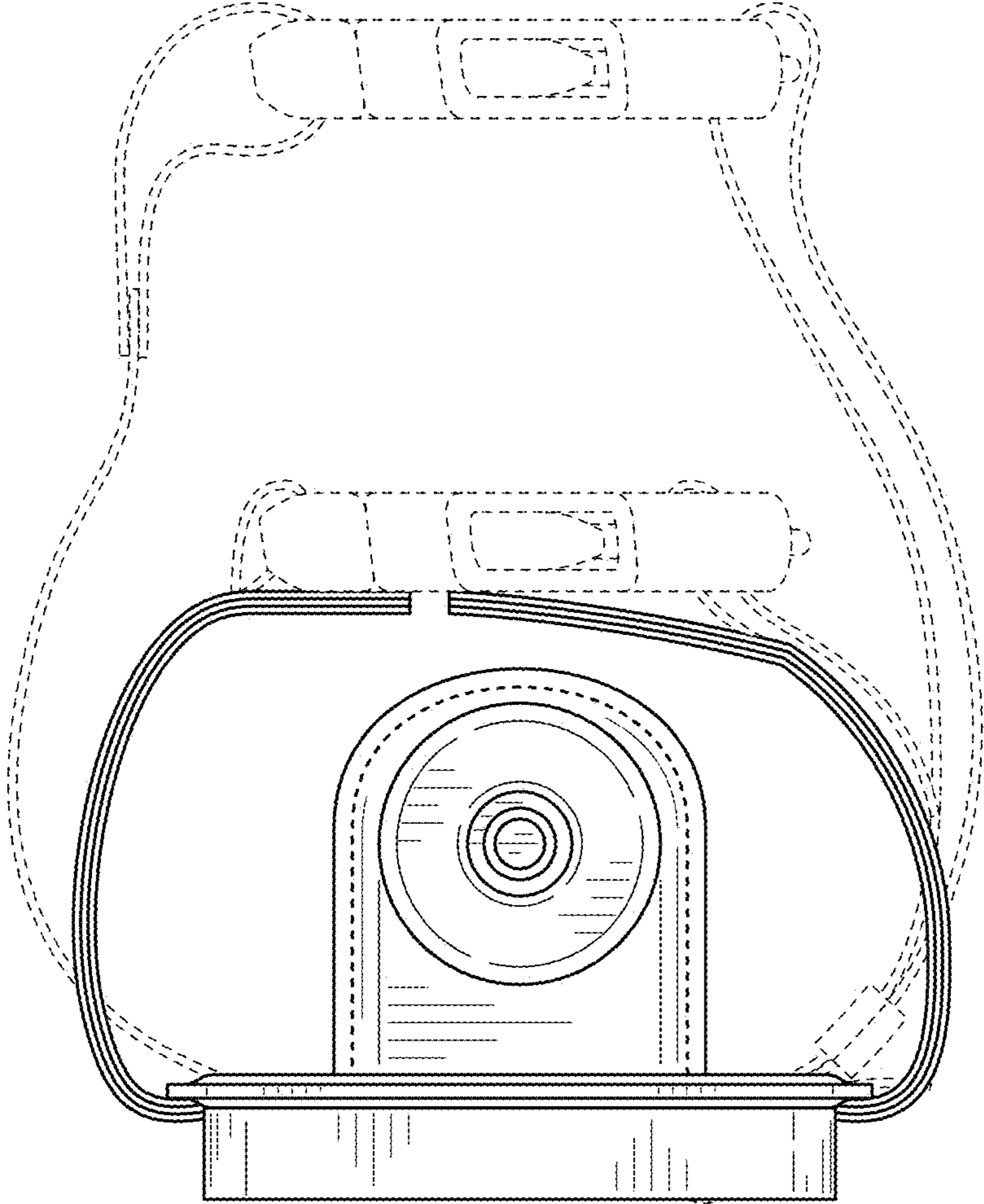


FIG. 2

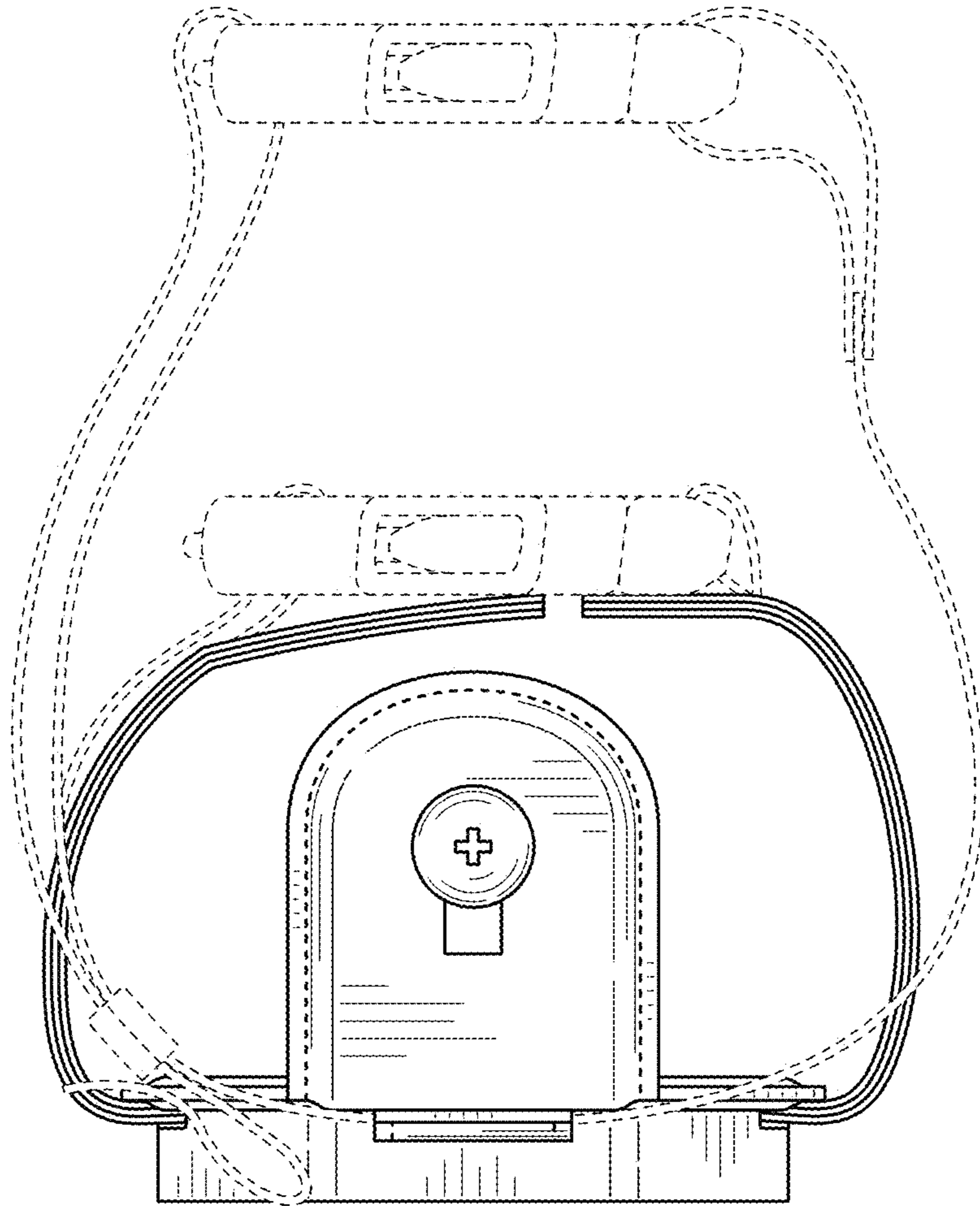


FIG. 3

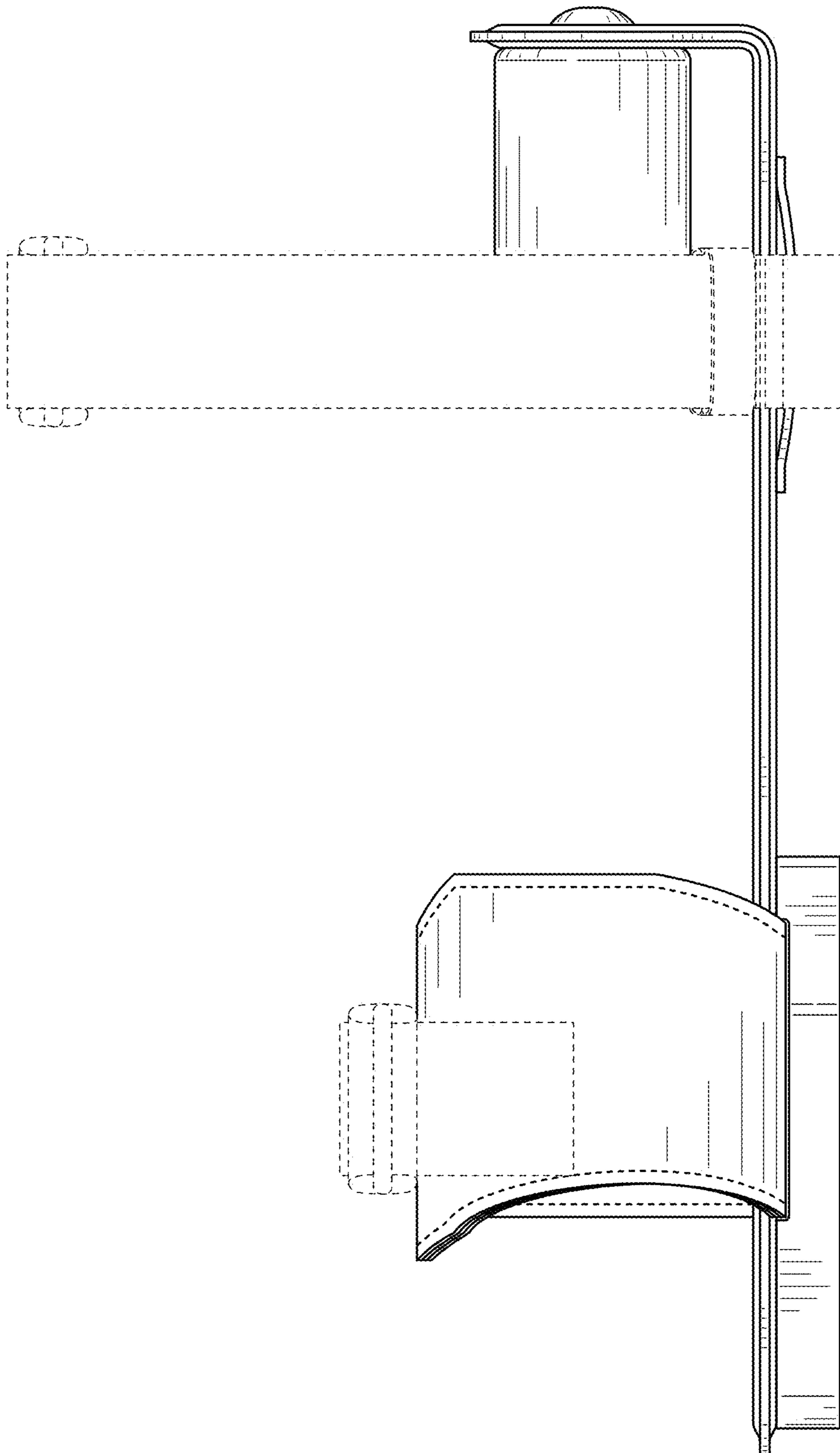


FIG. 4

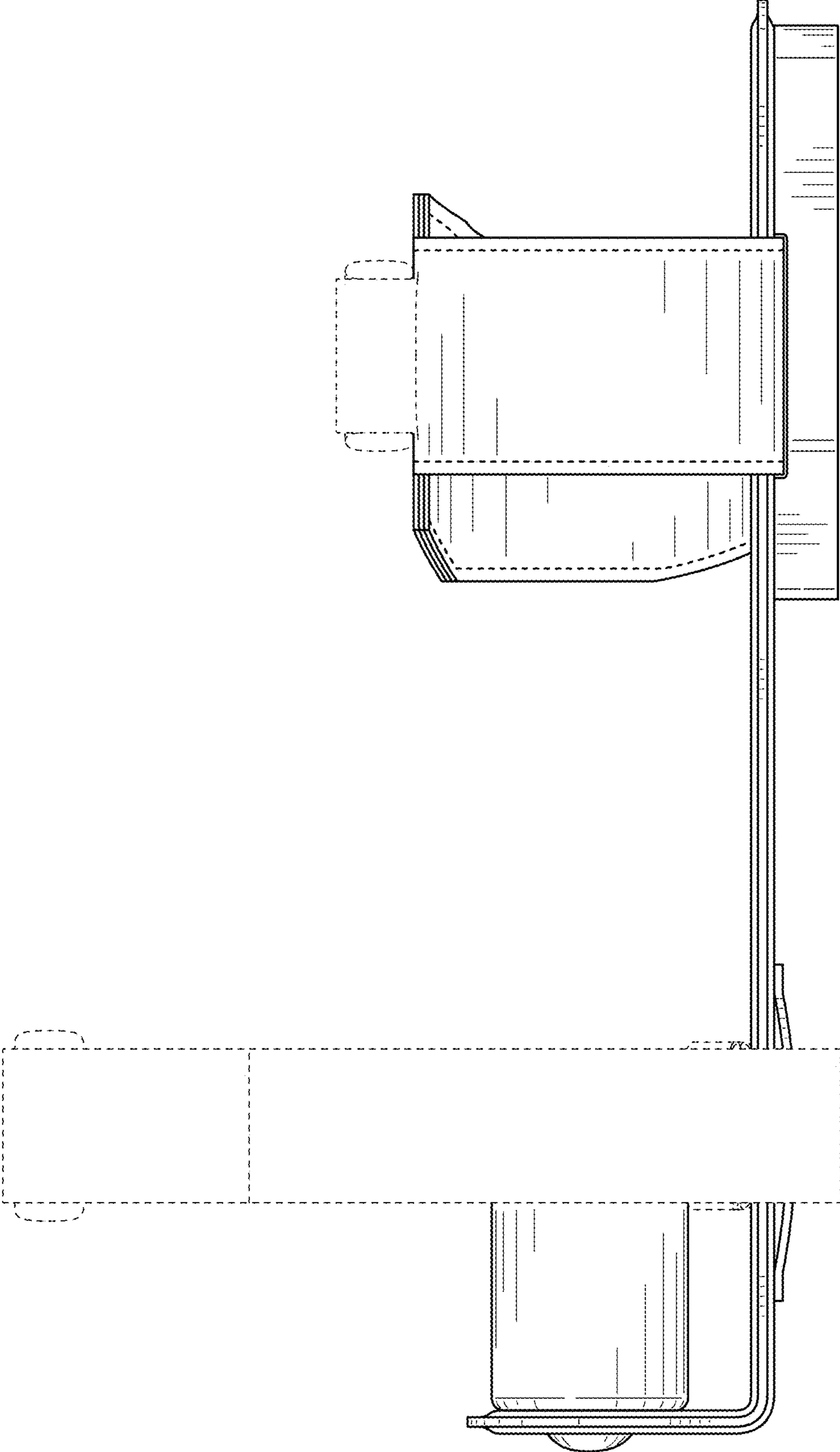


FIG. 5

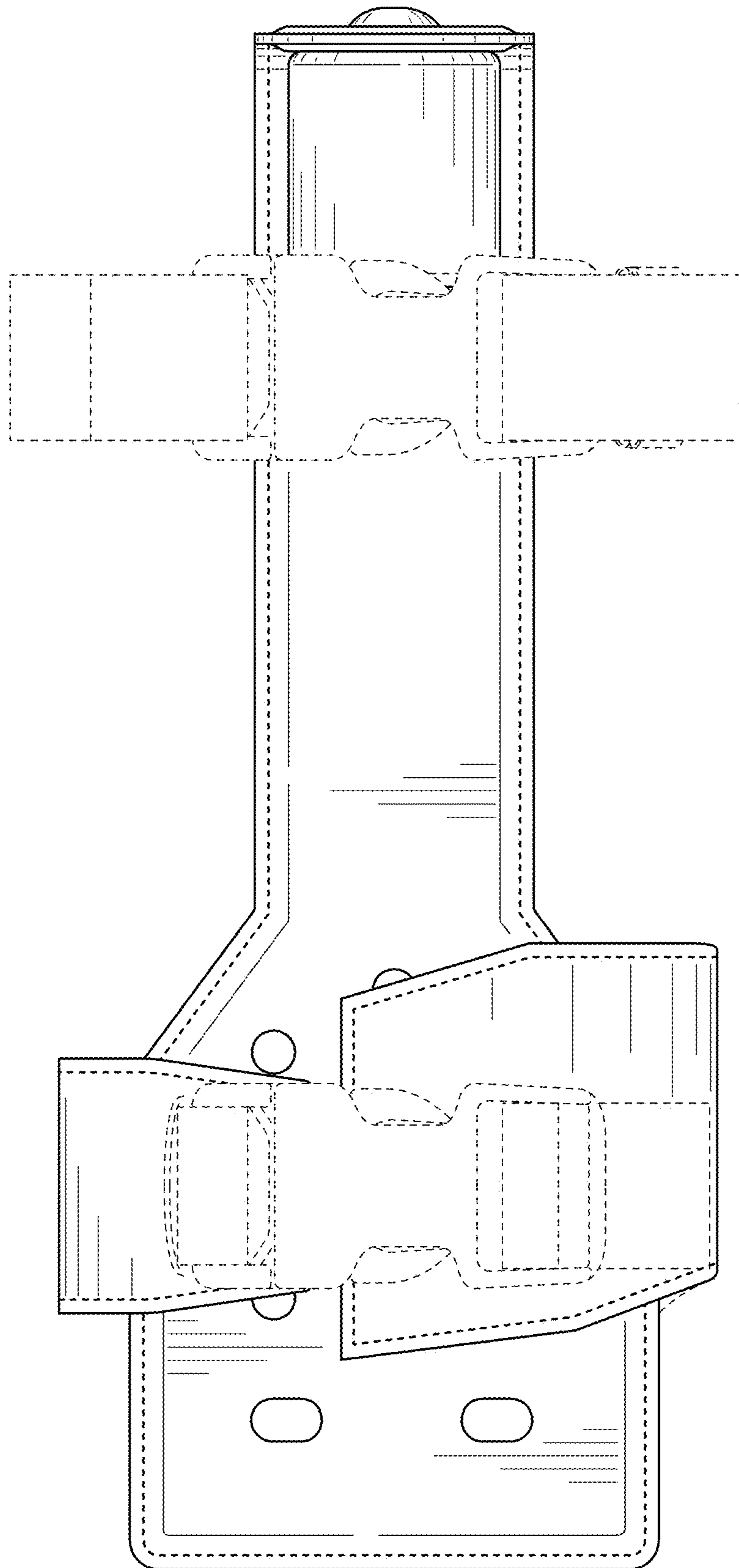


FIG. 6

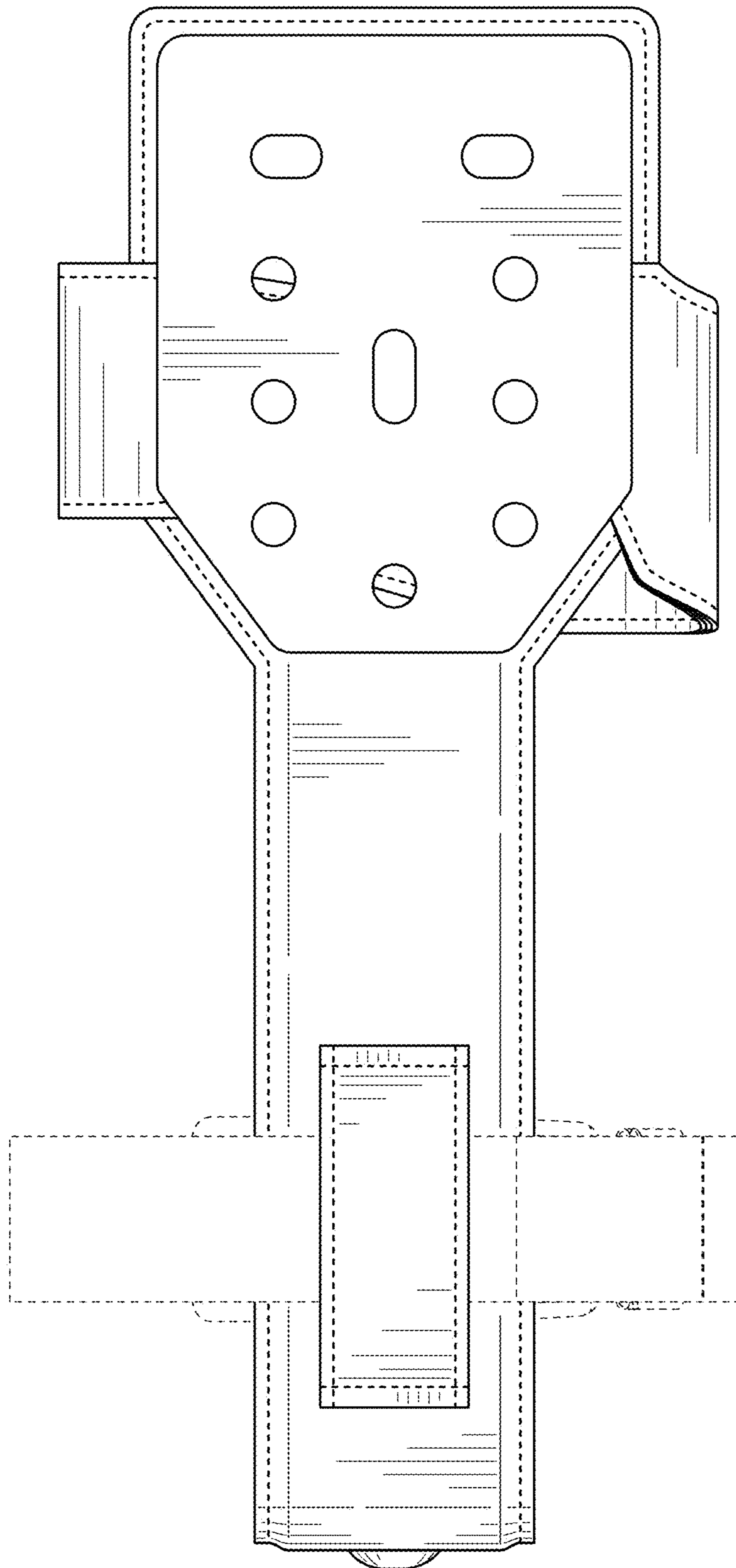


FIG. 7