

US00D945149S

(12) **United States Design Patent** (10) **Patent No.:** **US D945,149 S**
Zhang (45) **Date of Patent:** **** Mar. 8, 2022**

(54) **GUN HOLSTER**
(71) Applicant: **CYTAC TECHNOLOGY LIMITED**,
Shenzhen (CN)
(72) Inventor: **Yong Zhang**, Shenzhen (CN)
(73) Assignee: **CYTAC TECHNOLOGY LIMITED**,
Shenzhen (CN)
(**) Term: **15 Years**
(21) Appl. No.: **29/732,430**
(22) Filed: **Apr. 24, 2020**
(30) **Foreign Application Priority Data**
Nov. 5, 2019 (CN) 201930606304.6
(51) **LOC (13) Cl.** **03-01**
(52) **U.S. Cl.**
USPC **D3/222**
(58) **Field of Classification Search**
USPC D2/627, 629, 639; D3/215, 220–226,
D3/228–230, 262, 269, 303–304, 318,
D3/327–328, 218; D8/71; D22/108–109,
D22/117–118, 199; D19/75, 77, 81,
D19/84–85, 102, 107
CPC F41C 33/001; F41C 33/002; F41C 33/003;
F41C 33/01; F41C 33/0209; F41C
33/0227; F41C 33/0236; F41C 33/0254;
F41C 33/0263; F41C 33/041; F41C
33/043; F41C 33/045; F41C 33/046;
F41C 33/048; F41C 33/06; A45F 3/005;
A45F 3/02; A45F 3/06; A45F 3/14; A45F
2003/001; A45F 2003/006; A45F
2003/007; A45F 2003/045; A45F
2003/047; A45F 2003/148; A45F 5/00;
A45F 5/02; A45F 5/021; A45F 2005/025;
A45F 2200/025; A45F 2200/05; A45F
2200/0525; A45F 2200/0508; A45F
2200/0516; A45F 2200/0575; A45F
(Continued)

(56) **References Cited**
U.S. PATENT DOCUMENTS
D601,339 S * 10/2009 Zusman D3/222
D603,159 S * 11/2009 Zusman D3/222
(Continued)

FOREIGN PATENT DOCUMENTS
CN 305309556 * 8/2019

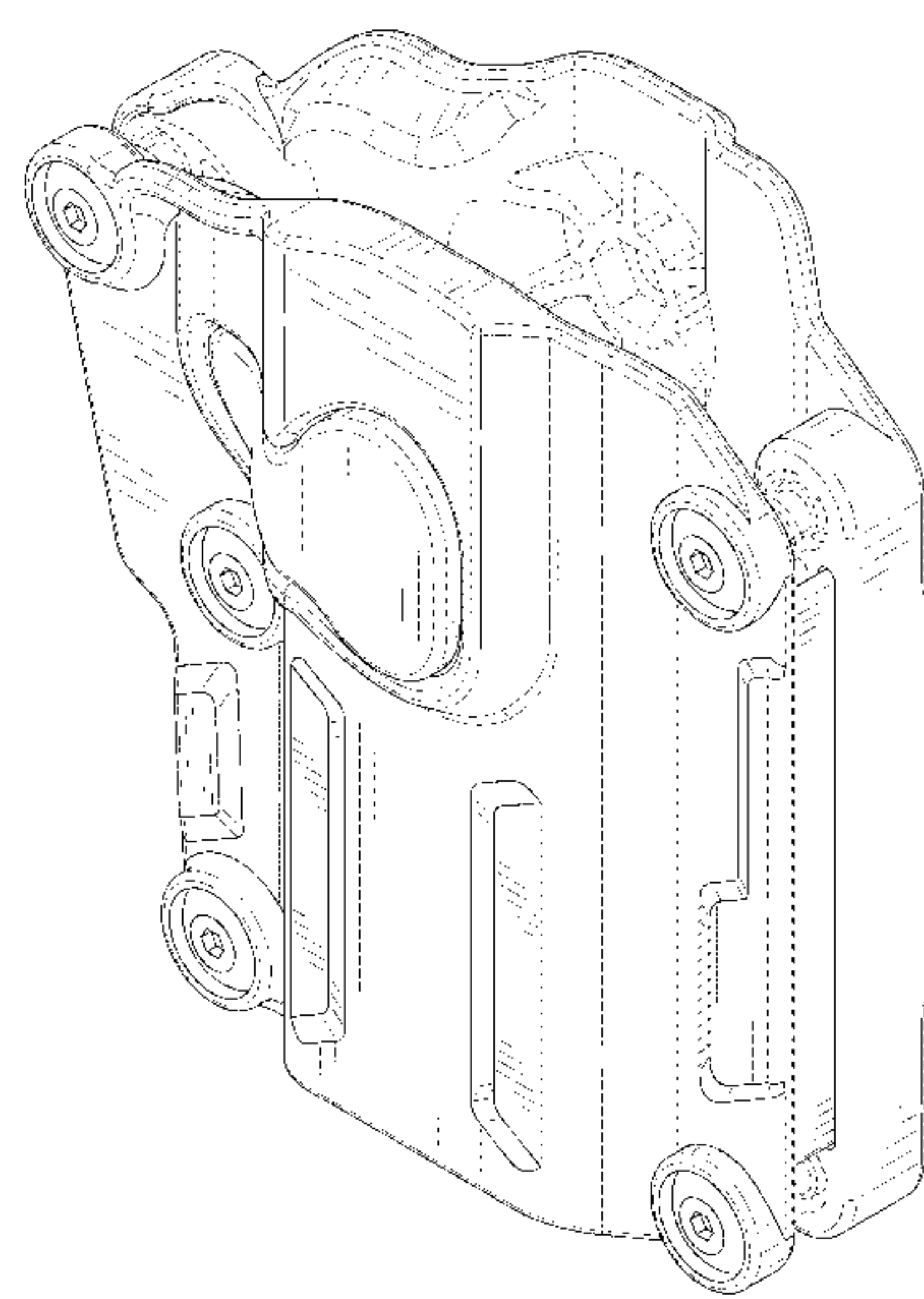
OTHER PUBLICATIONS
Universal OWB Holster for Berreta, first available Jun. 3, 2020,
amazon.com [online], [site visited Sep. 24, 2021], Available at
internet URL: <https://www.amazon.com/dp/B07YZ13Q2S/?th=1> (Year:
2020).*
(Continued)

Primary Examiner — Michelle E. Wilson
Assistant Examiner — Caitlin A Laverty

(57) **CLAIM**
The ornamental design for a gun holster, as shown and
described.

DESCRIPTION
FIG. 1 is a perspective view of a gun holster showing my
new design;
FIG. 2 is another perspective view thereof;
FIG. 3 is a front elevational view thereof;
FIG. 4 is a rear elevational view thereof;
FIG. 5 is a left side elevational view thereof;
FIG. 6 is a right side elevational view thereof;
FIG. 7 is a top plan view thereof;
FIG. 8 is a bottom plan view thereof; and,
FIG. 9 is a perspective view of the gun holster where the gun
holster is in a configuration of use.
The broken lines in the drawings depict portions of the gun
holster, and additional environment matter in FIG. 9, that
form no part of the claimed design.

1 Claim, 9 Drawing Sheets



(58) **Field of Classification Search**
 CPC .. 2200/0591; A45C 11/04; A41F 11/00; A41F
 11/16; Y10S 224/911
 See application file for complete search history.

(56) **References Cited**

U.S. PATENT DOCUMENTS

| | | | |
|--------------|---------|---------------|--------|
| D776,918 S * | 1/2017 | Madrid | D3/222 |
| D835,399 S * | 12/2018 | Sereday | D3/222 |
| D838,102 S * | 1/2019 | Sereday | D3/222 |
| D838,474 S * | 1/2019 | Tang | D3/222 |
| D841,320 S * | 2/2019 | Tang | D3/222 |
| D853,110 S * | 7/2019 | Sereday | D3/222 |
| D874,131 S * | 2/2020 | Zhang | D3/222 |
| D881,557 S * | 4/2020 | Houck | D3/222 |
| D913,686 S * | 3/2021 | Houck | D3/222 |
| D917,878 S * | 5/2021 | Huang | D3/222 |
| D919,965 S * | 5/2021 | Xia | D3/222 |
| D928,503 S * | 8/2021 | Cai | D3/222 |
| D928,504 S * | 8/2021 | Li | D3/222 |
| D930,979 S * | 9/2021 | Tang | D3/222 |
| D933,952 S * | 10/2021 | Sun | D3/222 |

| | | | |
|------------------|---------|-------------------------|-------------------------|
| 2005/0205624 A1* | 9/2005 | French | F41C 33/0263 224/244 |
| 2019/0316876 A1* | 10/2019 | Zhang | F41C 33/045 |
| 2020/0393214 A1* | 12/2020 | De Oliveira Ribas | F41C 33/0209 |
| 2021/0278171 A1* | 9/2021 | Su | F41C 33/0263 |
| 2021/0333065 A1* | 10/2021 | Aral | F41C 33/0263 |
| 2021/0348880 A1* | 11/2021 | Zhang | F41C 33/0272 |
| 2021/0389082 A1* | 12/2021 | Smith | F41C 33/0236 |

OTHER PUBLICATIONS

Amomax Per-Fit OWB Universal Holster, first available Nov. 23, 2020, amazon.com [online], [site visited Sep. 24, 2021], Available at internet URL: <https://www.amazon.com/Amomax-Universal-Holster-Handguns-Rotation/dp/B08P1YMMBT> (Year: 2020).*

ADAPTX Universal Level 2 Retention Holster—Is it really Universal?, video by YouTube user AirsoftStation.com, posted on Dec. 14, 2018, youtube.com [online], [site visited Sep. 24, 2021], Available at internet URL: <https://www.youtube.com/watch?v=9wWdk49fzaA> (Year: 2018).*

* cited by examiner

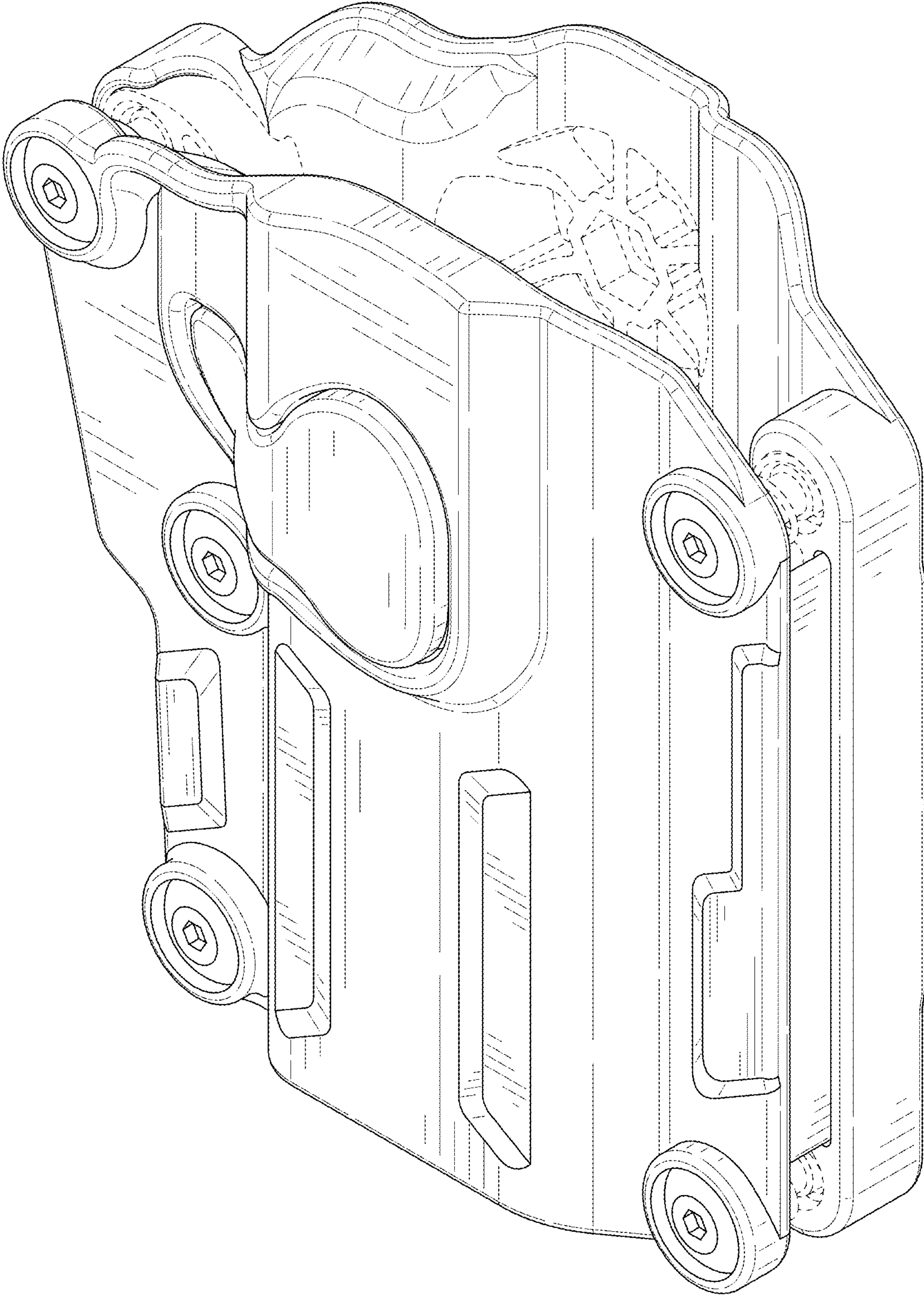


FIG. 1

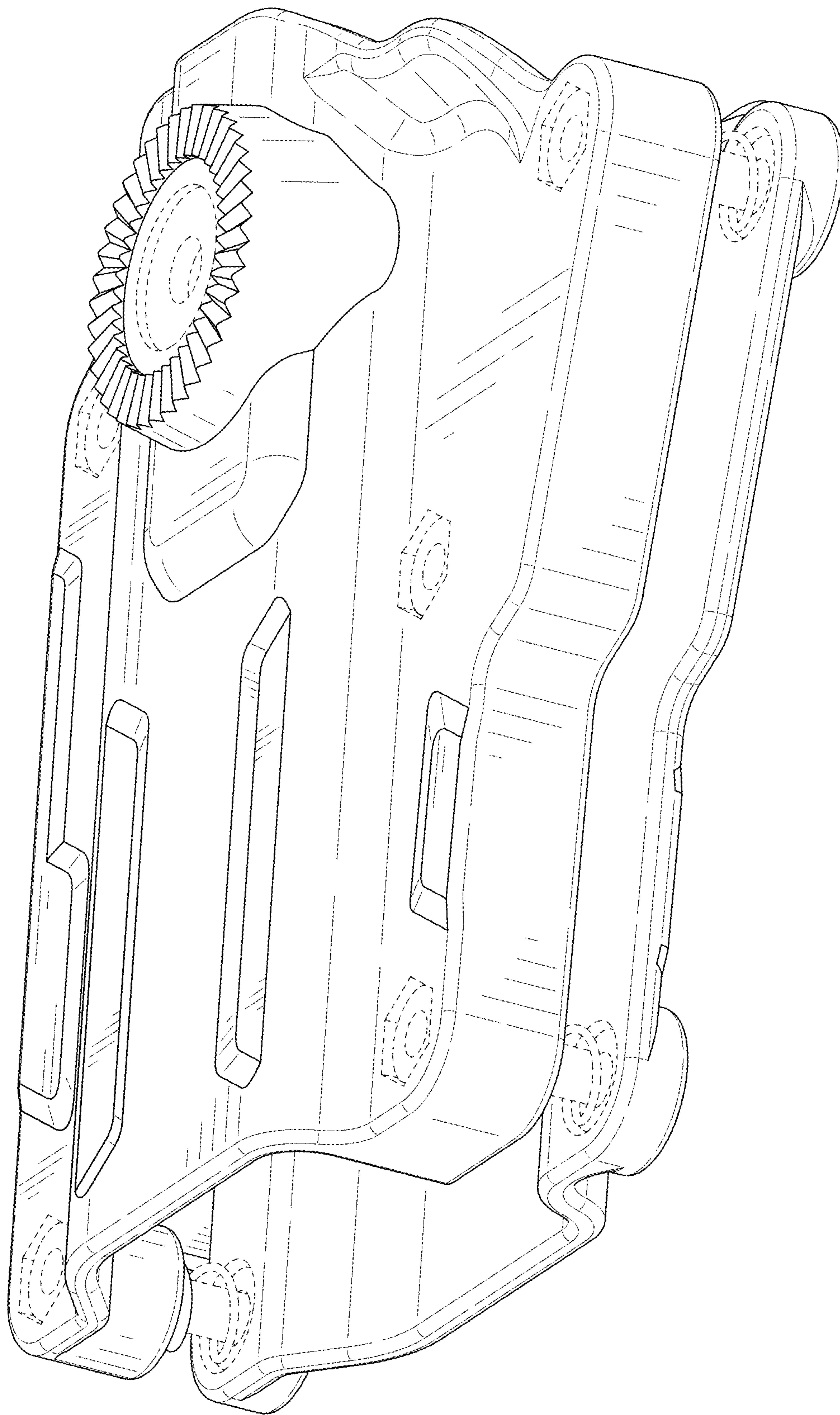


FIG. 2

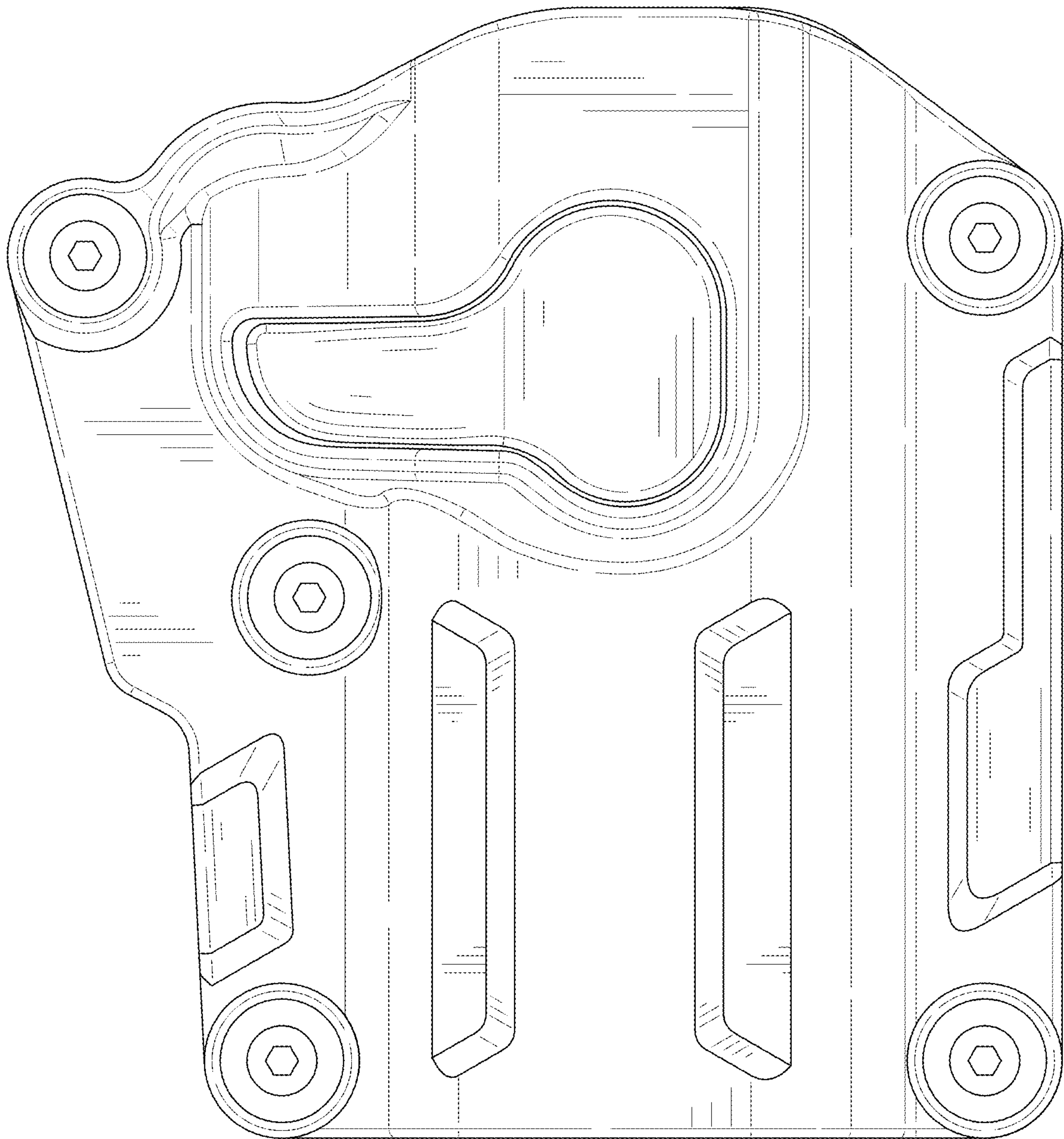


FIG. 3

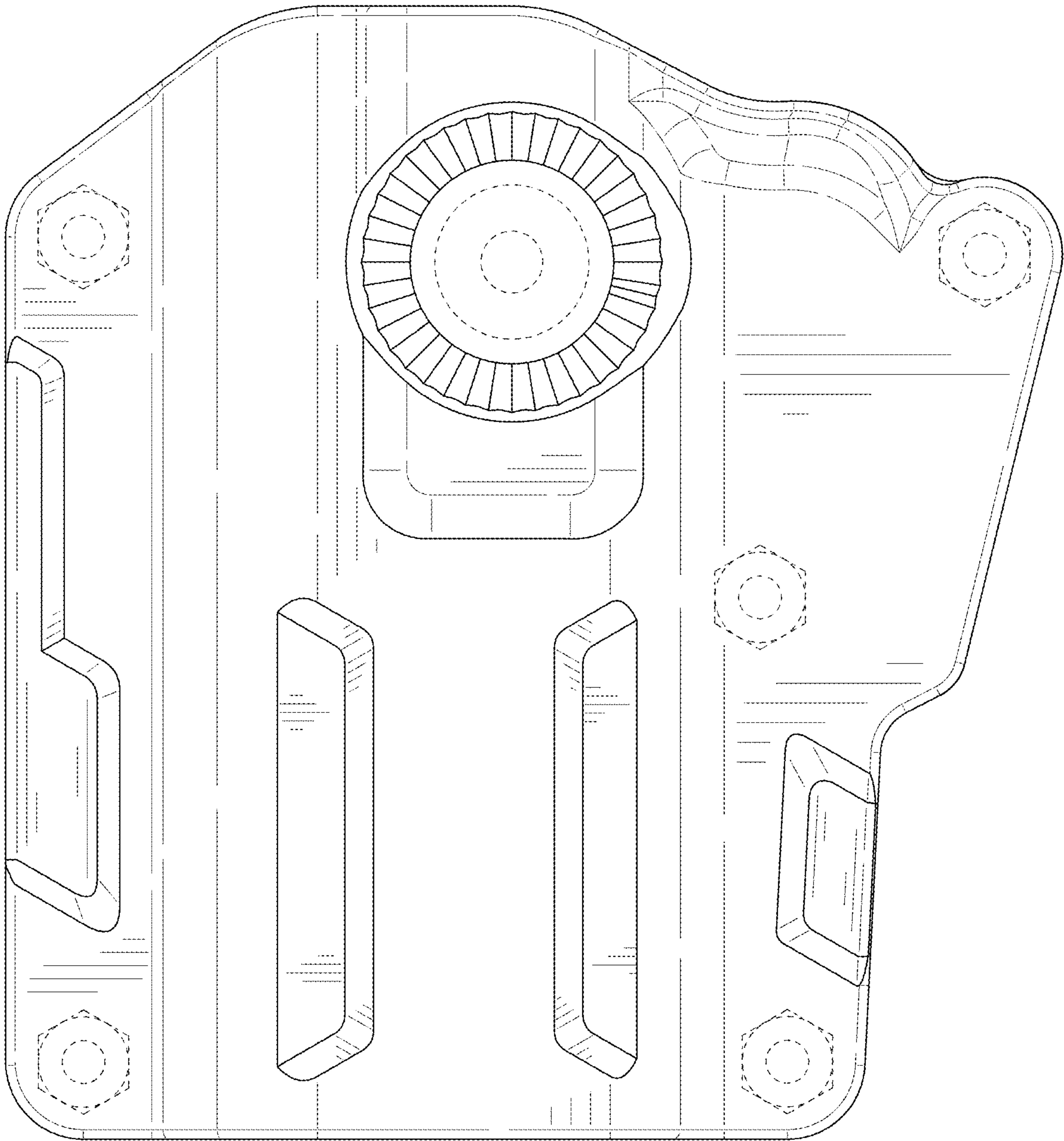


FIG. 4

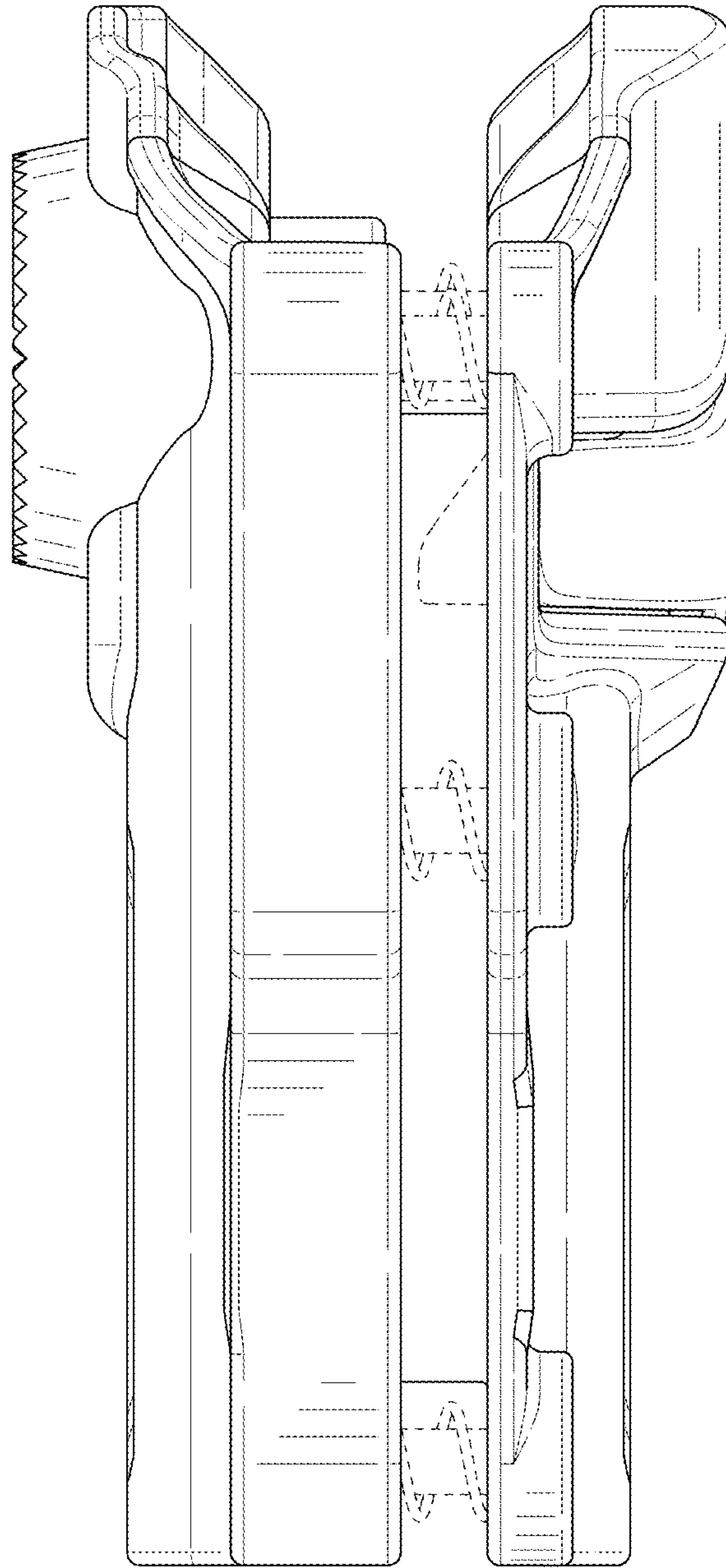


FIG. 5

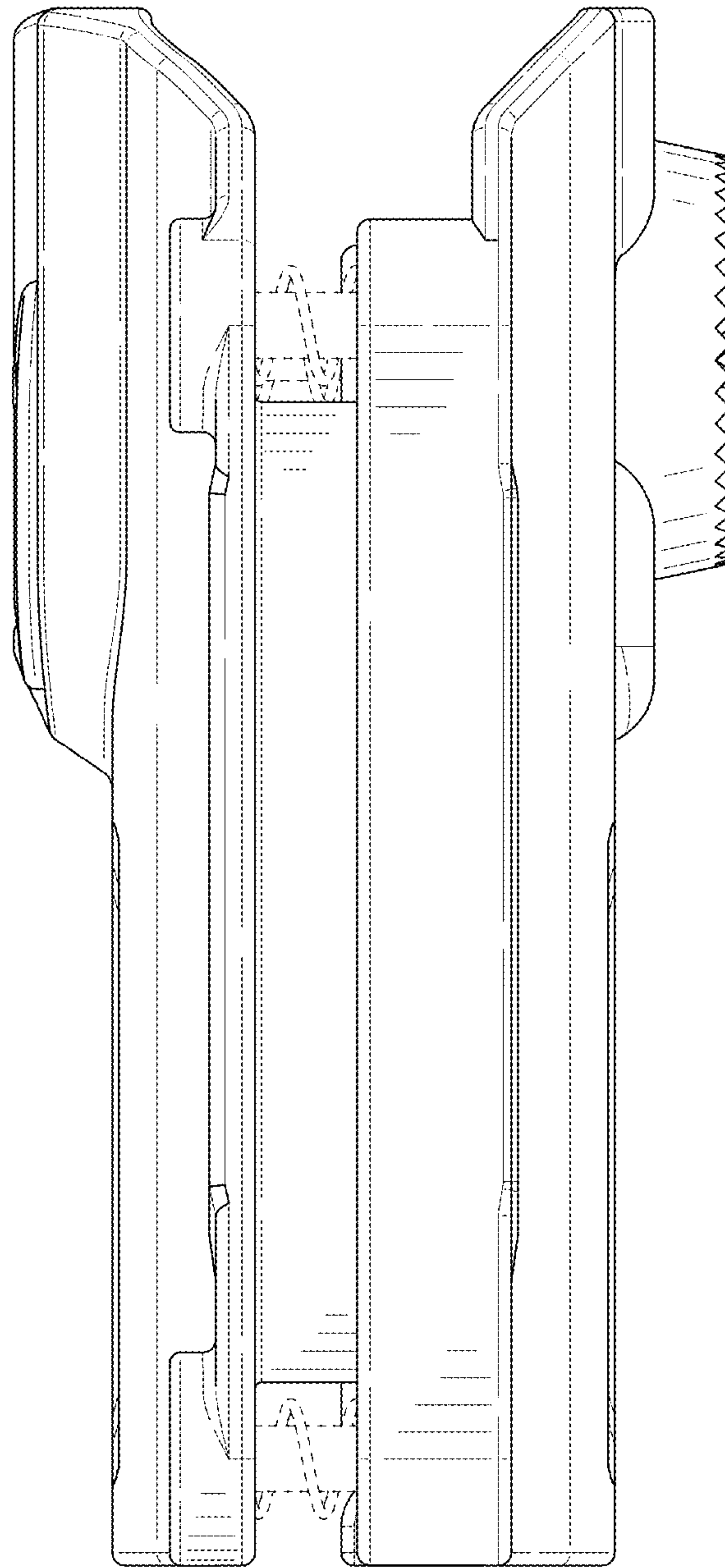


FIG. 6

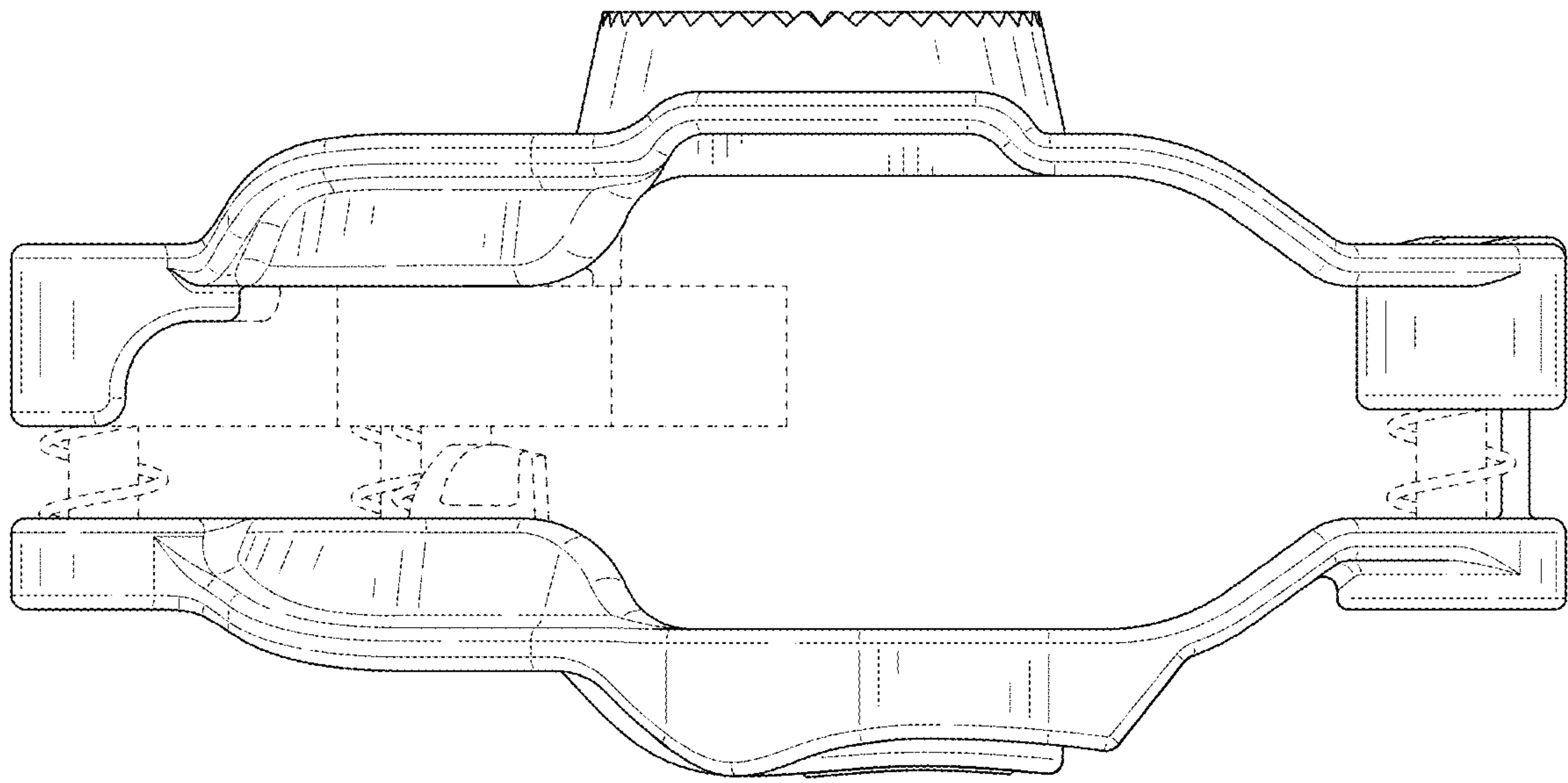


FIG. 7

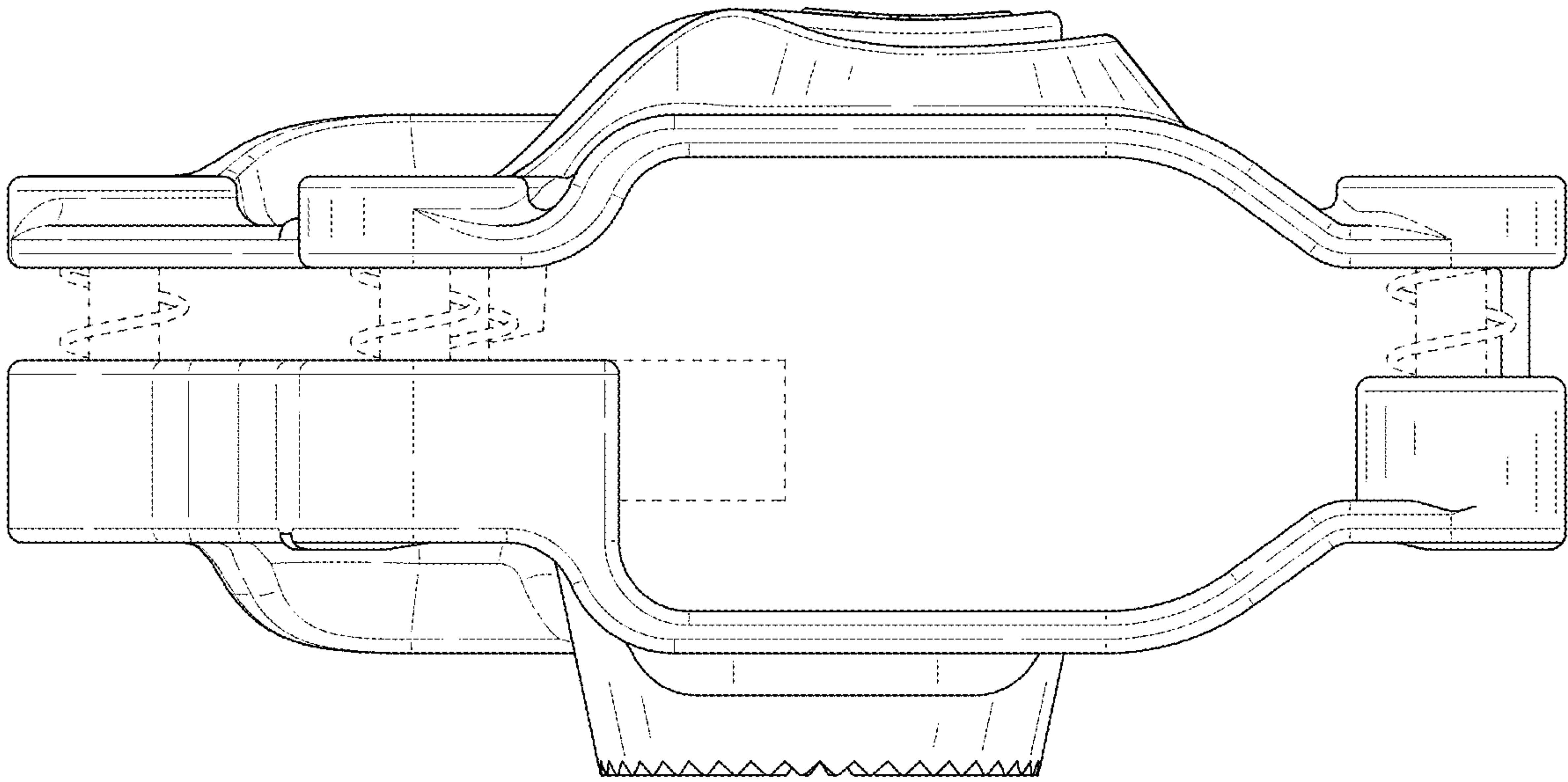


FIG. 8

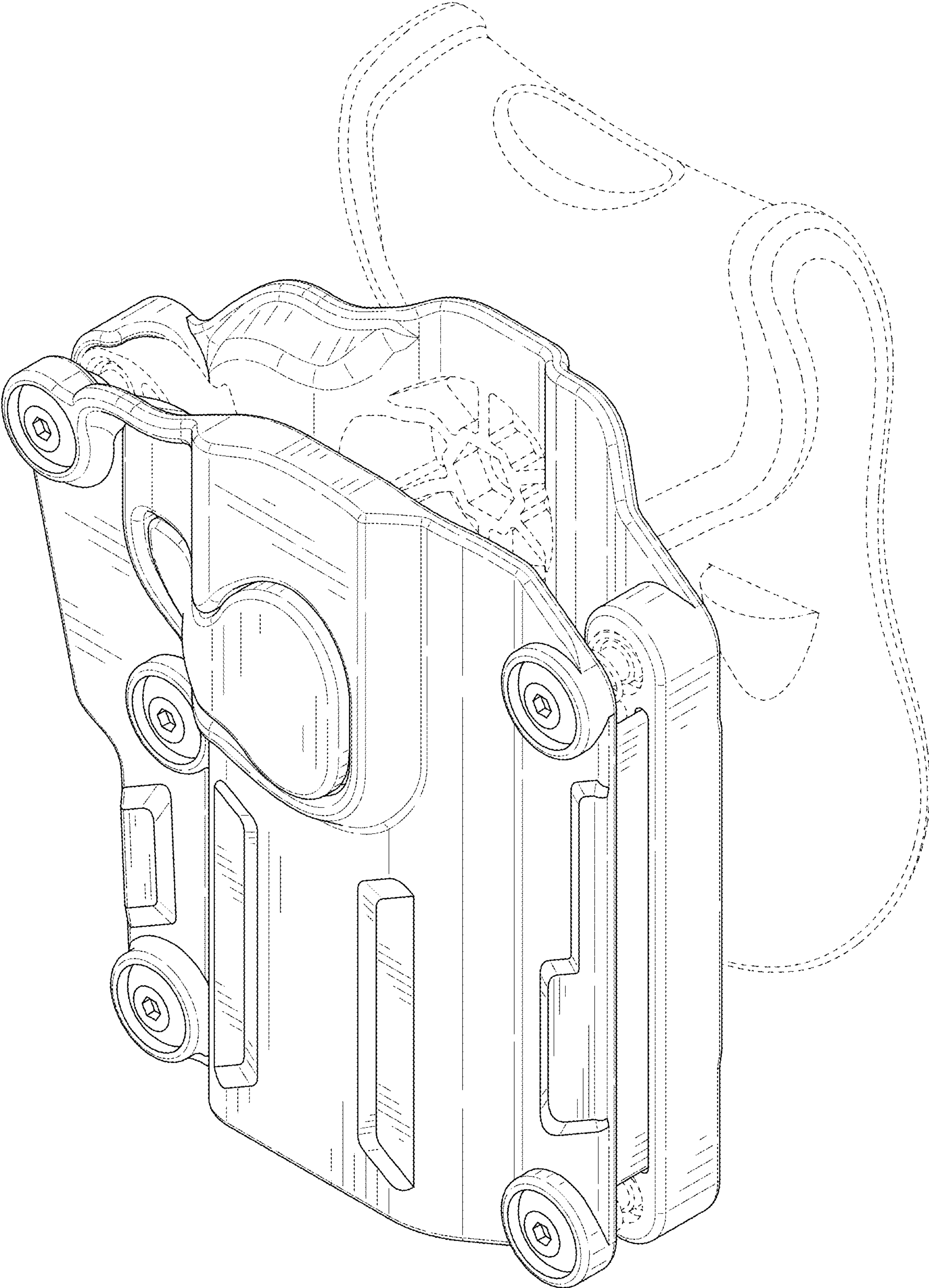


FIG. 9