



US00D945148S

(12) **United States Design Patent**
Liao

(10) **Patent No.:** **US D945,148 S**
(45) **Date of Patent:** **** Mar. 8, 2022**

(54) **BACKPACK**

(71) Applicant: **Shenzhen Migugu Technology Co., Ltd.**, Shenzhen (CN)

(72) Inventor: **Wenjun Liao**, Shenzhen (CN)

(**) Term: **15 Years**

(21) Appl. No.: **29/779,765**

(22) Filed: **Apr. 21, 2021**

(51) **LOC (13) Cl.** **03-01**

(52) **U.S. Cl.**
USPC **D3/217**

(58) **Field of Classification Search**
USPC D3/216-217, 246
CPC .. A45C 3/08; A45C 3/06; A45C 13/08; A45C 13/02; A45C 7/0086; A45C 3/00; A45C 13/26; A45F 3/04; A45F 3/02
See application file for complete search history.

(56) **References Cited**

U.S. PATENT DOCUMENTS

5,706,992 A *	1/1998	Moor	A45F 3/04
				190/102
D453,874 S *	2/2002	Frase	D3/246
D714,546 S *	10/2014	Joo	D3/245
D787,816 S *	5/2017	Slimane	D3/217
D819,959 S *	6/2018	Choi	D3/217
D819,967 S *	6/2018	Carter	D3/246
D851,393 S *	6/2019	Carter	D3/217

D861,329 S *	10/2019	Wei	D3/217
D912,974 S	3/2021	Breines		
D924,561 S *	7/2021	Gilbert	D3/243
D927,174 S *	8/2021	Dai	D3/217

* cited by examiner

Primary Examiner — Jennifer L Watkins

(57) **CLAIM**

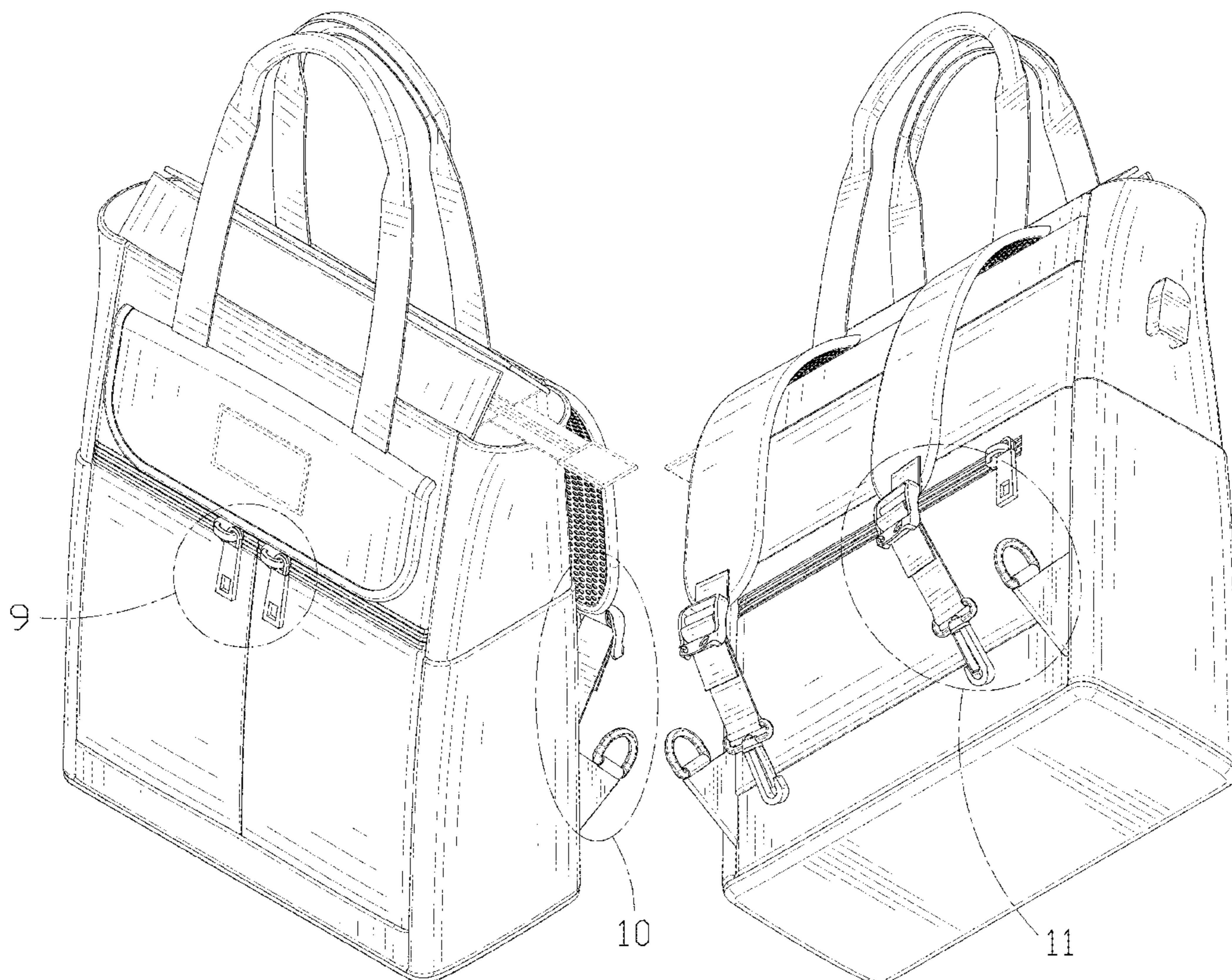
The ornamental design for a backpack, as shown and described.

DESCRIPTION

FIG. 1 is a front and top perspective view of a backpack, showing my new design;
 FIG. 2 is a rear and bottom perspective view thereof;
 FIG. 3 is a front elevation view thereof;
 FIG. 4 is a rear elevation view thereof;
 FIG. 5 is a left side elevation view thereof;
 FIG. 6 is a right side elevation view thereof;
 FIG. 7 is a top plan view thereof;
 FIG. 8 is a bottom plan view thereof;
 FIG. 9 is an enlarged view of a portion indicated with numeric 9 in FIG. 1;
 FIG. 10 is an enlarged view of a portion indicated with numeric 10 in FIG. 1; and,
 FIG. 11 is an enlarged view of a portion indicated with numeric 11 in FIG. 2.

The broken lines in the figures illustrate portions of the backpack that form no part of the claimed design. The dash dot dash lines in FIGS. 1, 2, 9, 10 and 11 are for the purpose of depicting the cut line of the enlarged view and form no part of the claim.

1 Claim, 11 Drawing Sheets



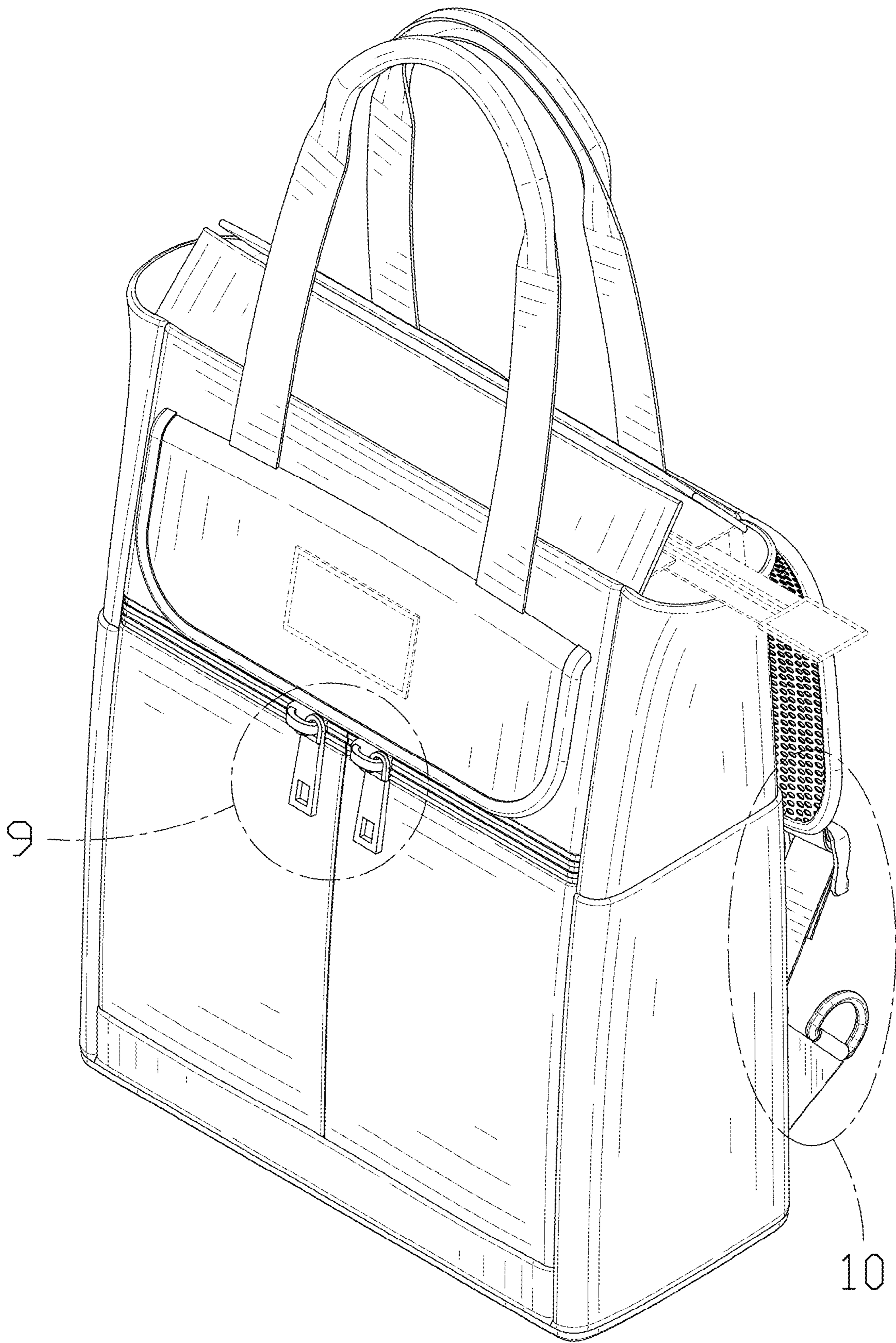


FIG. 1



FIG. 2

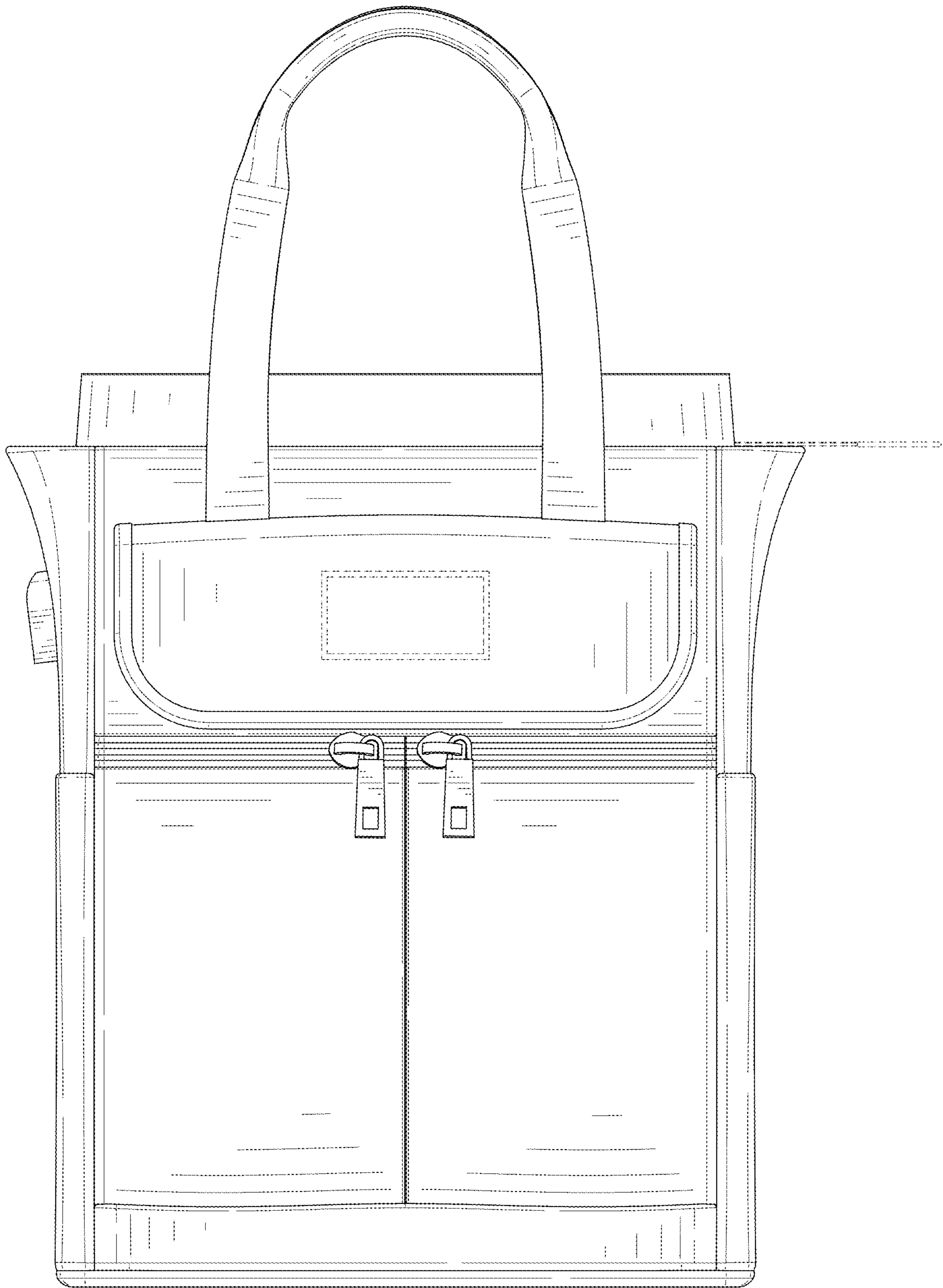


FIG. 3

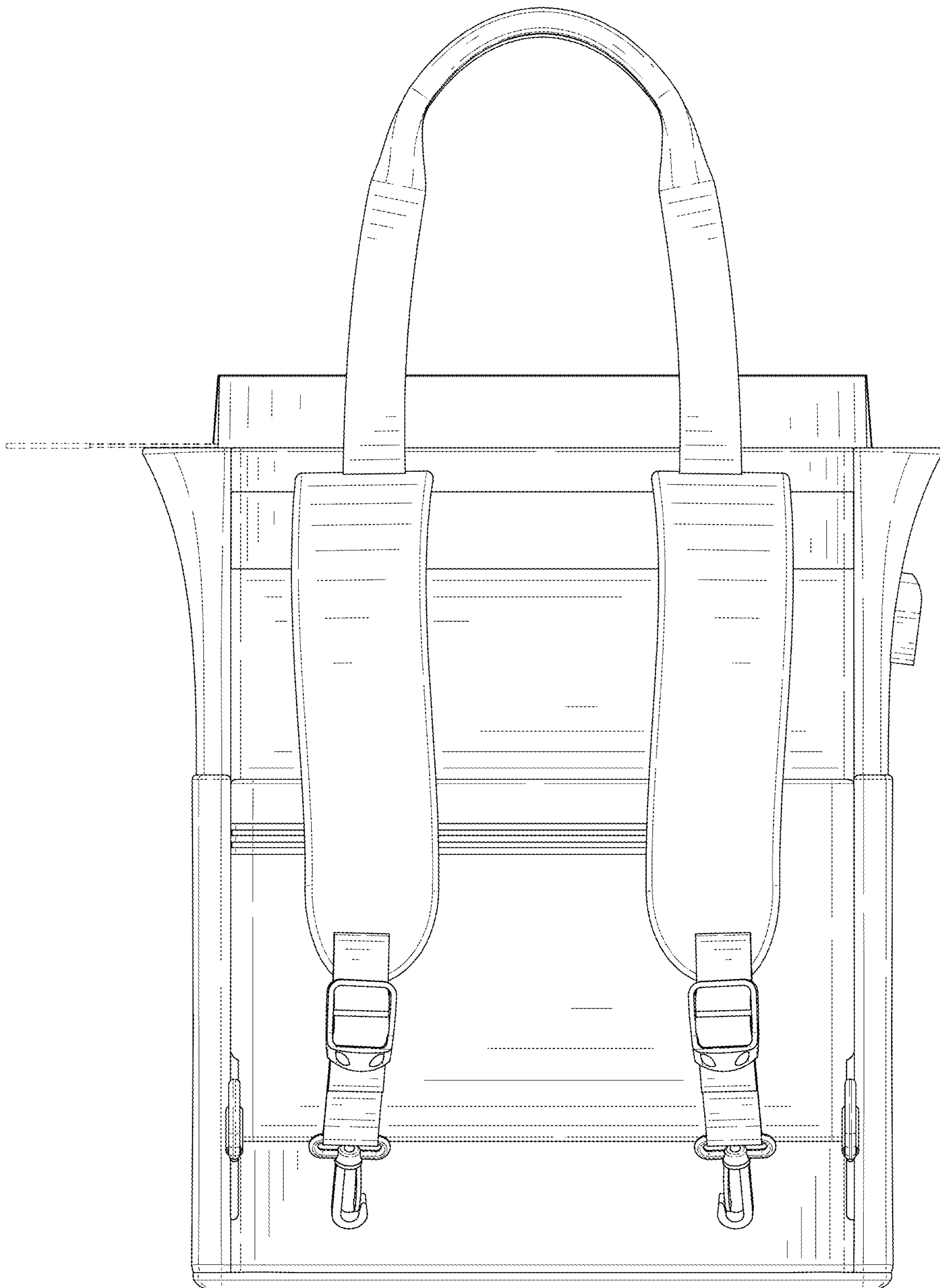


FIG. 4

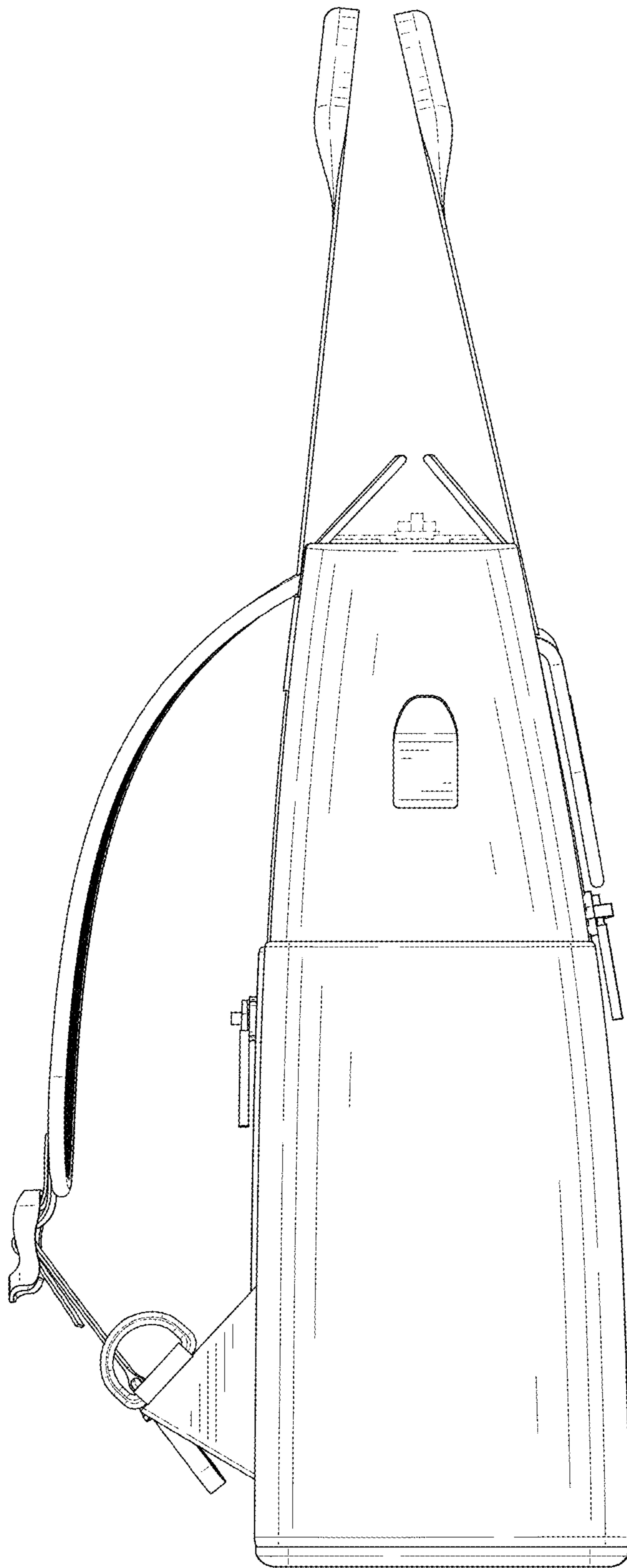


FIG. 5

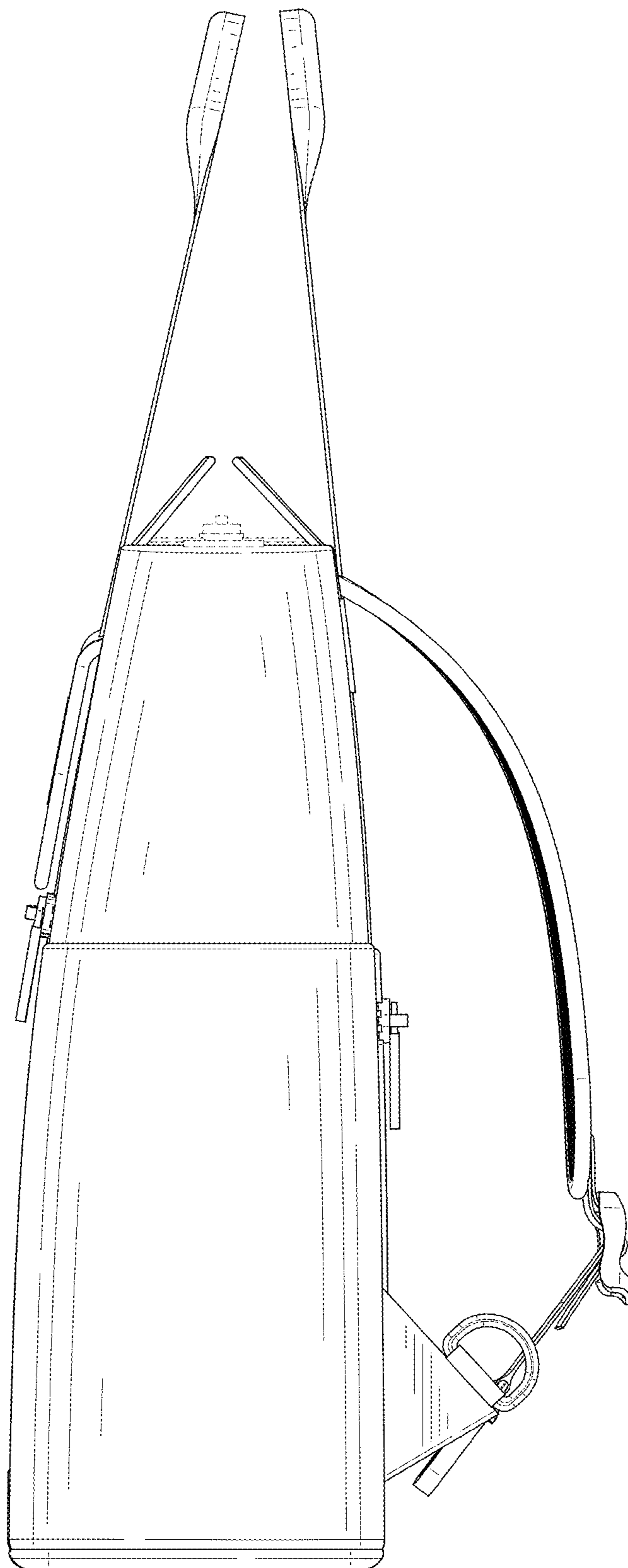


FIG. 6

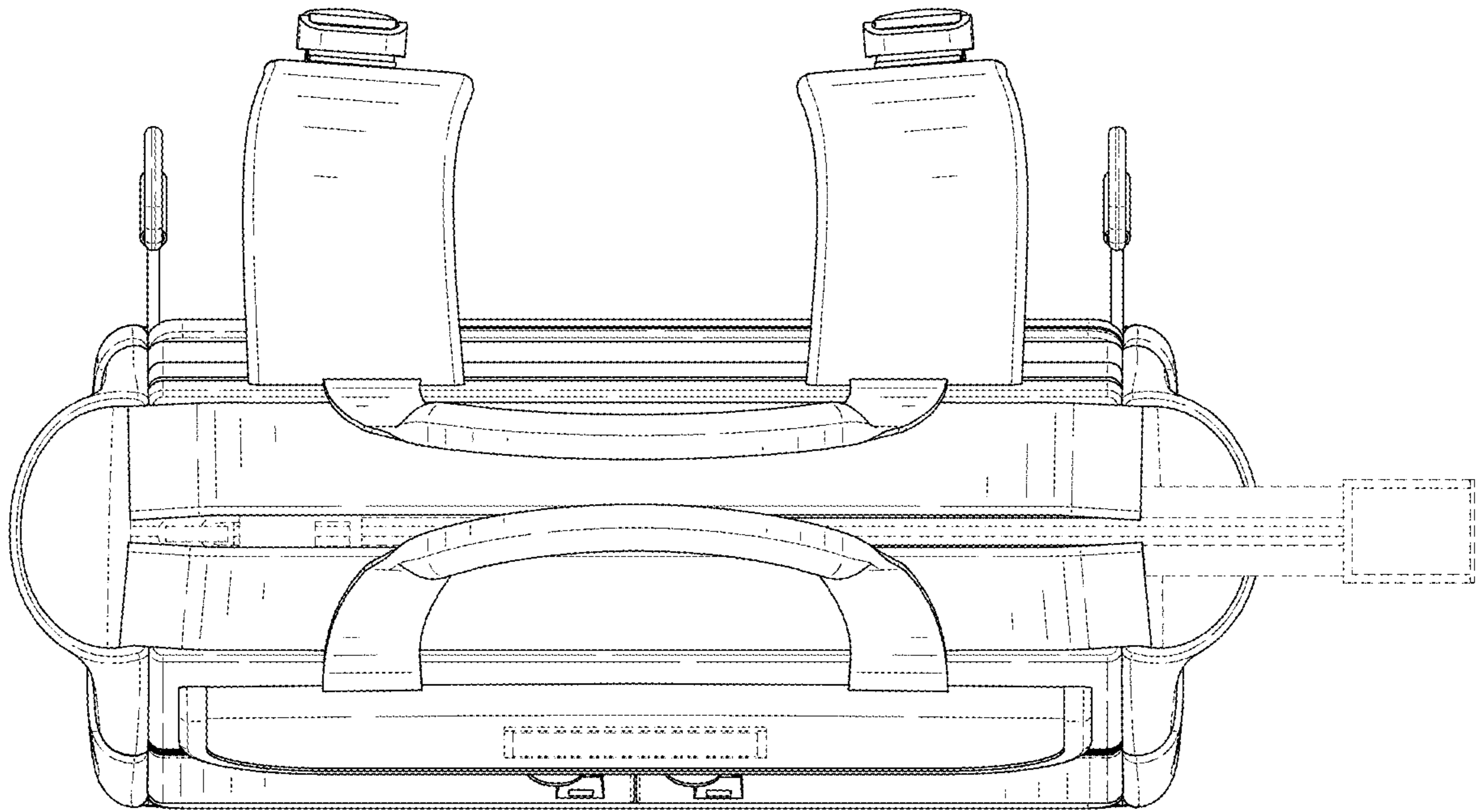


FIG. 7

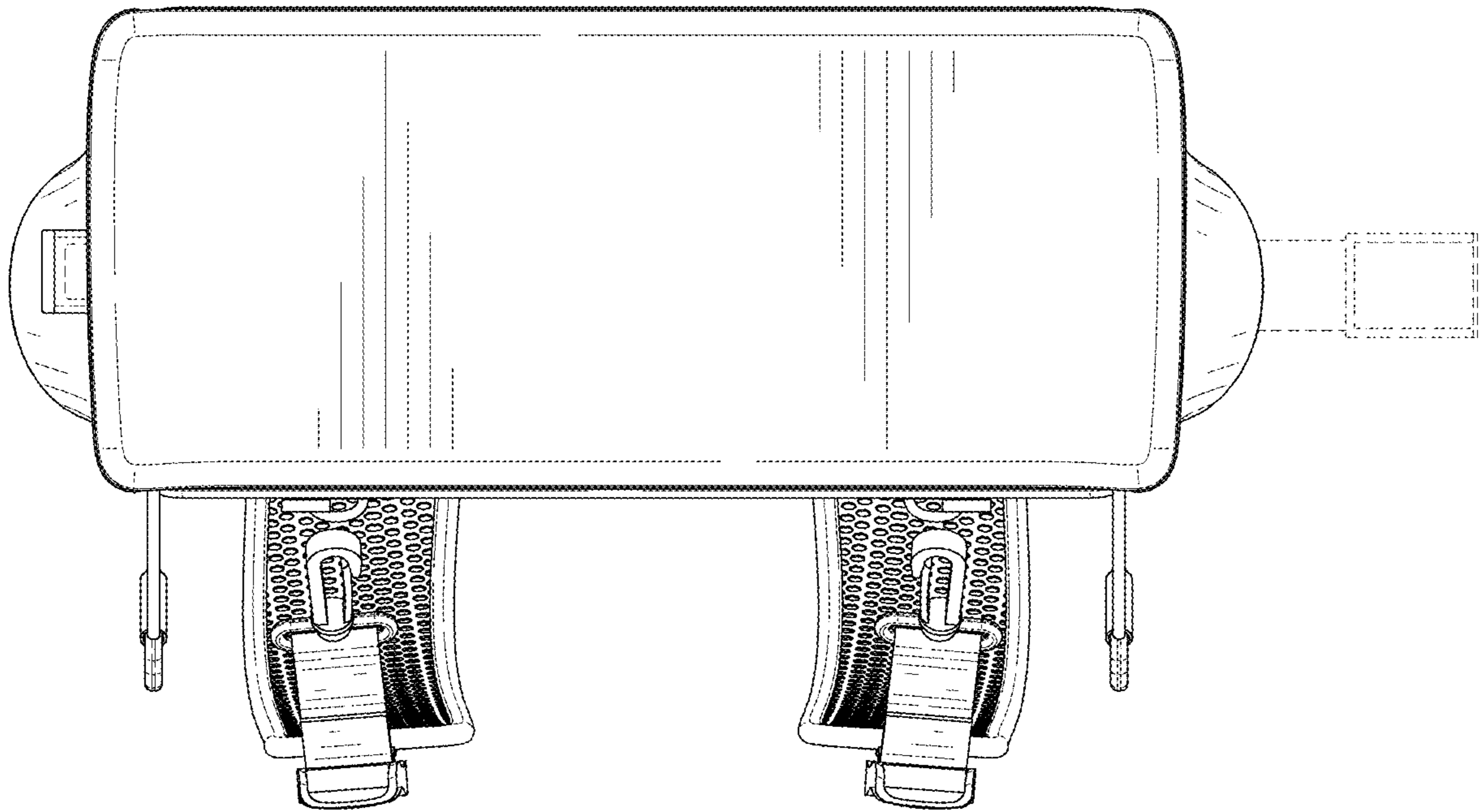


FIG. 8

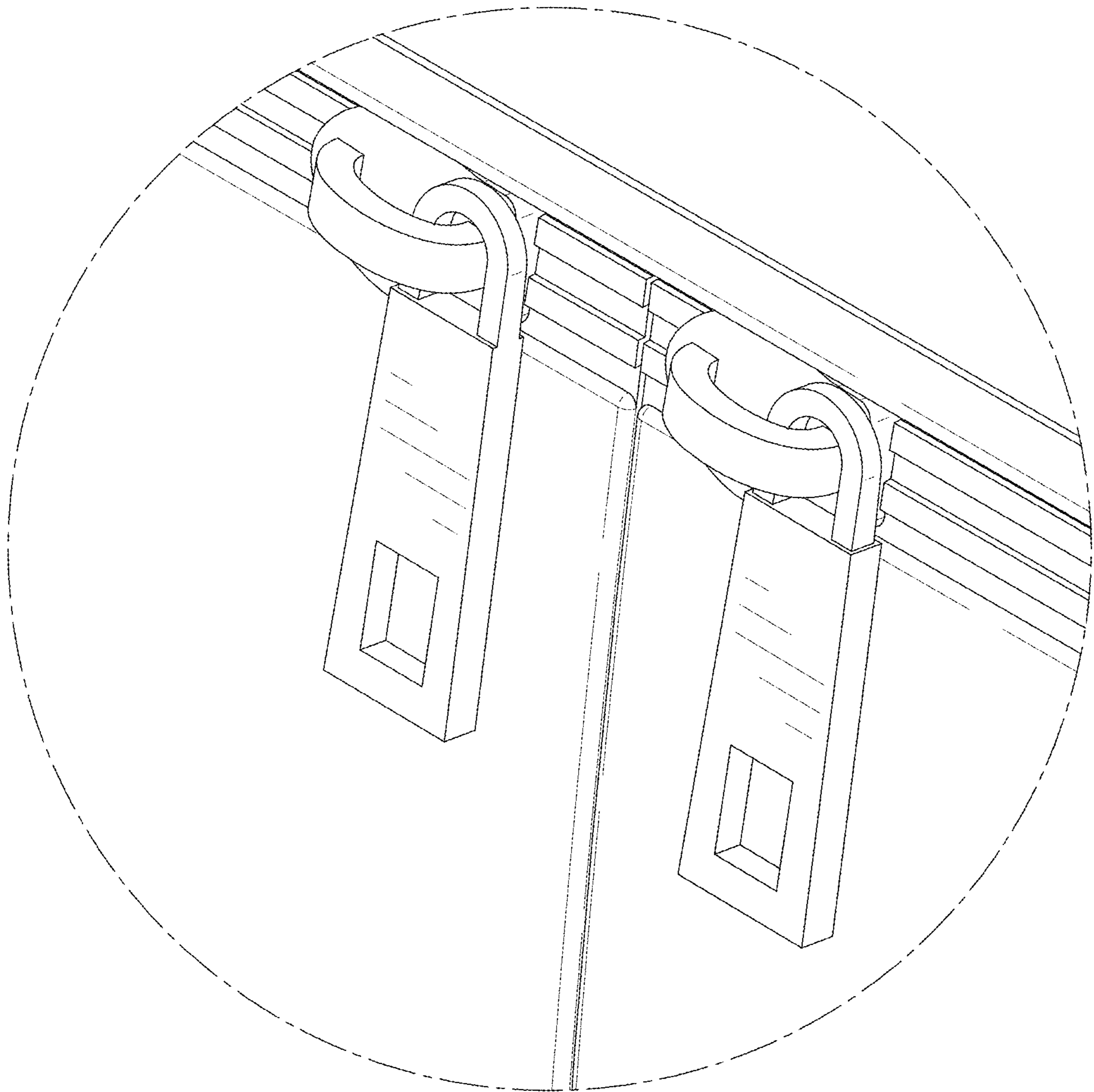


FIG. 9

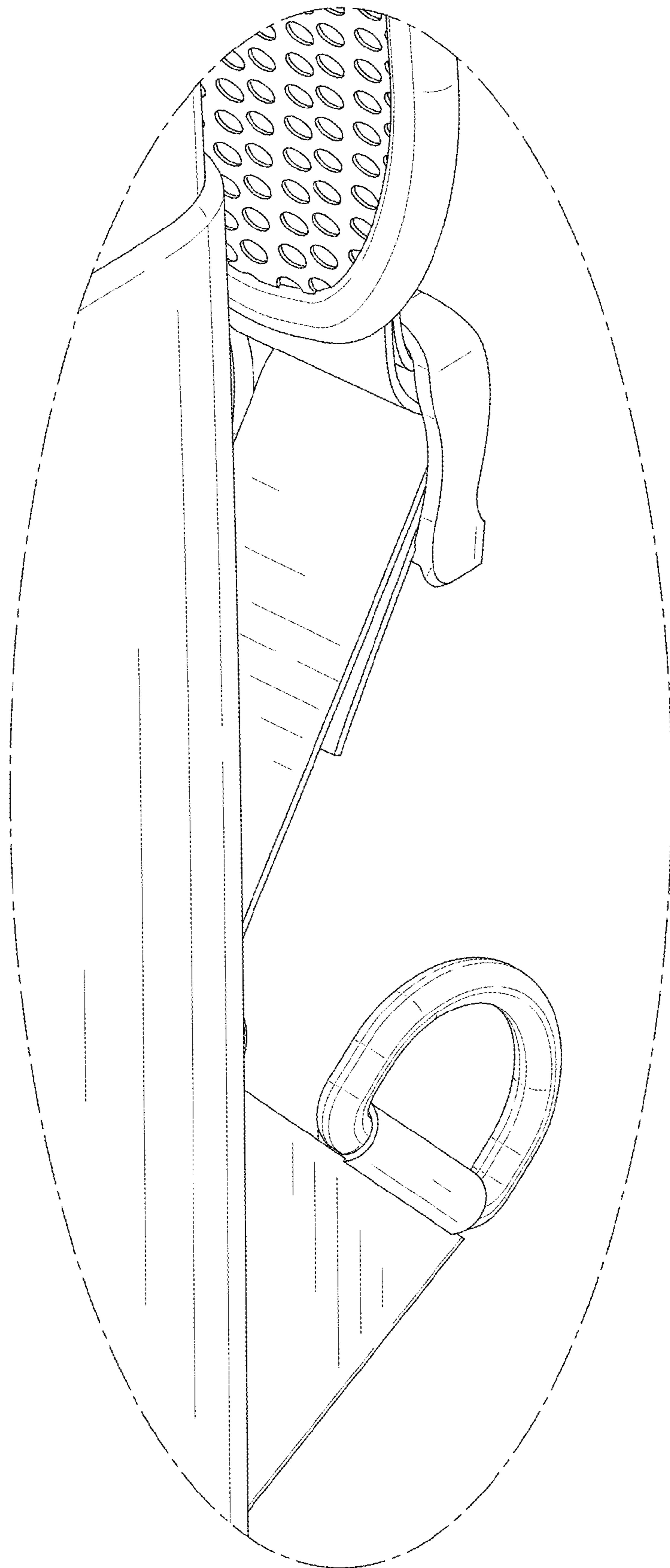


FIG. 10

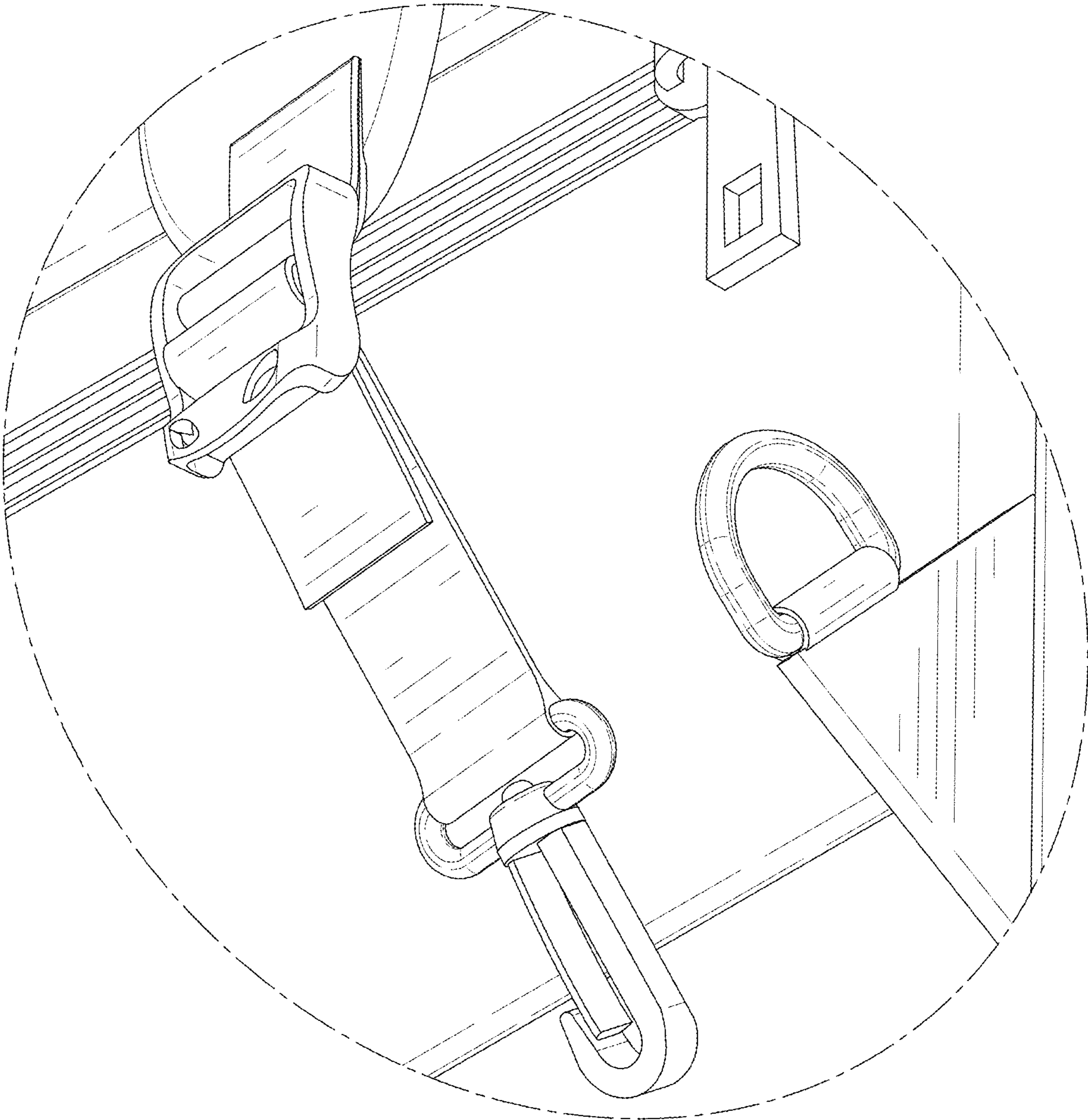


FIG. 11