



US00D945146S

(12) **United States Design Patent**  
**Qian et al.**

(10) **Patent No.:** **US D945,146 S**  
(45) **Date of Patent:** **\*\* Mar. 8, 2022**

(54) **PILL BOX**

FOREIGN PATENT DOCUMENTS

(71) Applicant: **Nexusera LLC**, Overland Park, KS (US)

CN 304423190 \* 12/2017

(72) Inventors: **Haiyang Qian**, Beijing (CN); **Ge Gao**, Overland Park, KS (US); **Zhixuan Piao**, Beijing (CN); **Lin Lin**, Overland Park, KS (US)

OTHER PUBLICATIONS

(73) Assignee: **Nexusera LLC**, Overland Park, KS (US)

O'kase by Nexusera, unknown post date, nexusear.com [online], [site visited Sep. 8, 2021], Available at internet URL: <https://nexusera.com/okase> (Year: 2021).\*

(\*\*) Term: **15 Years**

(Continued)

(21) Appl. No.: **29/734,499**

(22) Filed: **May 13, 2020**

*Primary Examiner* — Michelle E. Wilson

*Assistant Examiner* — Caitlin A Laverty

(30) **Foreign Application Priority Data**

(74) *Attorney, Agent, or Firm* — Duane Morris LLP

Jan. 2, 2020 (CN) ..... 202030000239.5

(51) **LOC (13) Cl.** ..... **03-01**

(52) **U.S. Cl.**  
USPC ..... **D3/203.2; D3/294**

(58) **Field of Classification Search**  
USPC ..... D3/201, 203.1–203.8, 206, 273–274, D3/294–298, 304, 314, 901, 903; D7/589; D9/730, 732, 737, 756, D9/759–760; D21/369, 372–373, D21/392–397; D28/73, 227–230

CPC ..... A61J 1/00; A61J 1/03; A61J 7/00; A61J 7/02; A61J 7/04; A61J 7/0481; A61J 7/0084; B65B 1/04; B65D 1/00; B65D 1/36; B65D 83/04; B65D 83/0445; B65D 83/0481; B65D 43/16; B65D 43/161; B65D 43/162; B65D 2583/04; A63F 9/04; A63F 11/00; A63F 2003/00772–00791; A63F 2003/00943; F21V 33/00

See application file for complete search history.

(56) **References Cited**

U.S. PATENT DOCUMENTS

D292,626 S \* 11/1987 Chevassus ..... D28/78  
D324,819 S \* 3/1992 Eisenberg ..... D24/229  
D403,158 S \* 12/1998 Au ..... D3/294  
D516,801 S \* 3/2006 Jones, III ..... D3/203.2

(Continued)

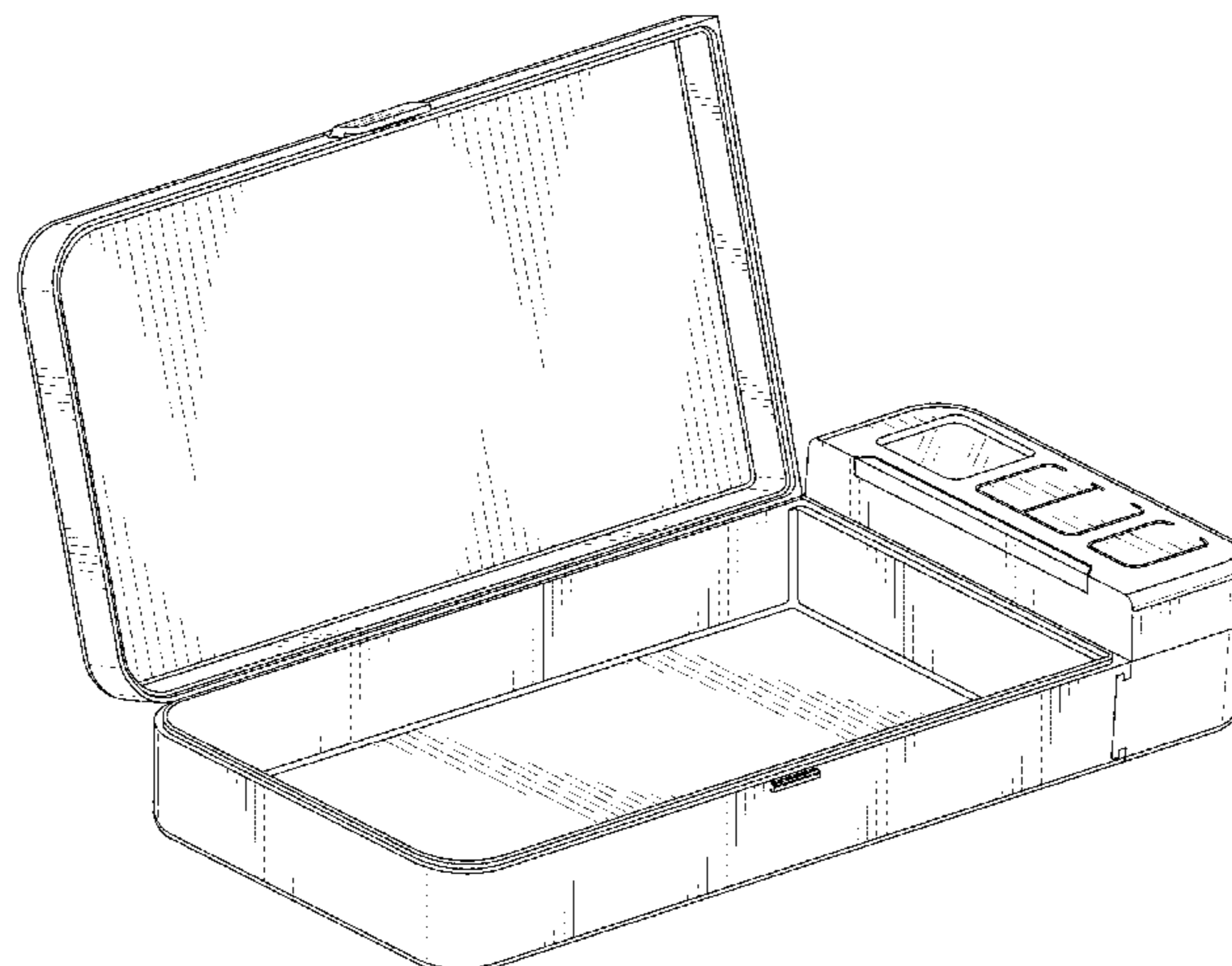
(57) **CLAIM**

The ornamental design for a pill box, as shown and as described.

**DESCRIPTION**

FIG. 1 is a front-top perspective view of the pill box showing our new design;  
FIG. 2 is a top plan view thereof;  
FIG. 3 is a bottom plan view thereof;  
FIG. 4 is a front elevational view thereof;  
FIG. 5 is a rear elevational view thereof;  
FIG. 6 is a right side view thereof;  
FIG. 7 is a left side view thereof;  
FIG. 8 is a front-top perspective view of the pill box in an open configuration; and,  
FIG. 9 is a front-top perspective view of the pill box in an open configuration with divided compartments therein.  
The broken lines in the FIGURES represent a portion of the pill case that forms no part of the claimed design.

**1 Claim, 9 Drawing Sheets**



(56)

**References Cited**

## U.S. PATENT DOCUMENTS

D527,182 S \* 8/2006 Ham ..... D3/274  
D633,712 S \* 3/2011 Everette ..... D3/203.1  
D634,538 S \* 3/2011 Dumas ..... D3/203.5  
D666,811 S \* 9/2012 Yang ..... D3/247  
D672,952 S \* 12/2012 Yang ..... D3/247  
D688,654 S \* 8/2013 Stevinson ..... D14/250  
D837,070 S \* 1/2019 Fukui ..... D9/756  
D845,615 S \* 4/2019 Mehregany ..... D3/203.3  
D850,097 S \* 6/2019 Mehregany ..... D3/203.3  
D882,262 S \* 4/2020 Zhang ..... D3/294  
D889,118 S \* 7/2020 Lee ..... D3/203.2  
D911,020 S \* 2/2021 Lee ..... D3/203.2  
2015/0283036 A1 \* 10/2015 Aggarwal ..... A61J 7/0069  
206/534  
2016/0101909 A1 \* 4/2016 Schennum ..... B65D 43/16  
206/266  
2020/0317392 A1 \* 10/2020 Stahl ..... B65D 25/04

## OTHER PUBLICATIONS

Facebook user Nexusera, photo posted Jul. 26, 2020, facebook.com [online], [site visited Sep. 8, 2021], Available at internet URL: <https://www.facebook.com/NexuseraTech/photos/a.296821051750012/296818881750229/?type=3&theater> (Year: 2020).\*

“With Xiaomi’s crowdfunded HiPee Smart Pill Box, you won’t skim your medication again”, article by Jed John Ikoba, published Jun. 6, 2019, gizmochina.com [online], [site visited Sep. 8, 2021], Available at internet URL: <https://www.gizmochina.com/2019/06/06/with-xiaomis-crowdfunded-hipee-smart-pill-box-you-wont-skip-your-medication-again/>. (Year: 2019).\*

\* cited by examiner

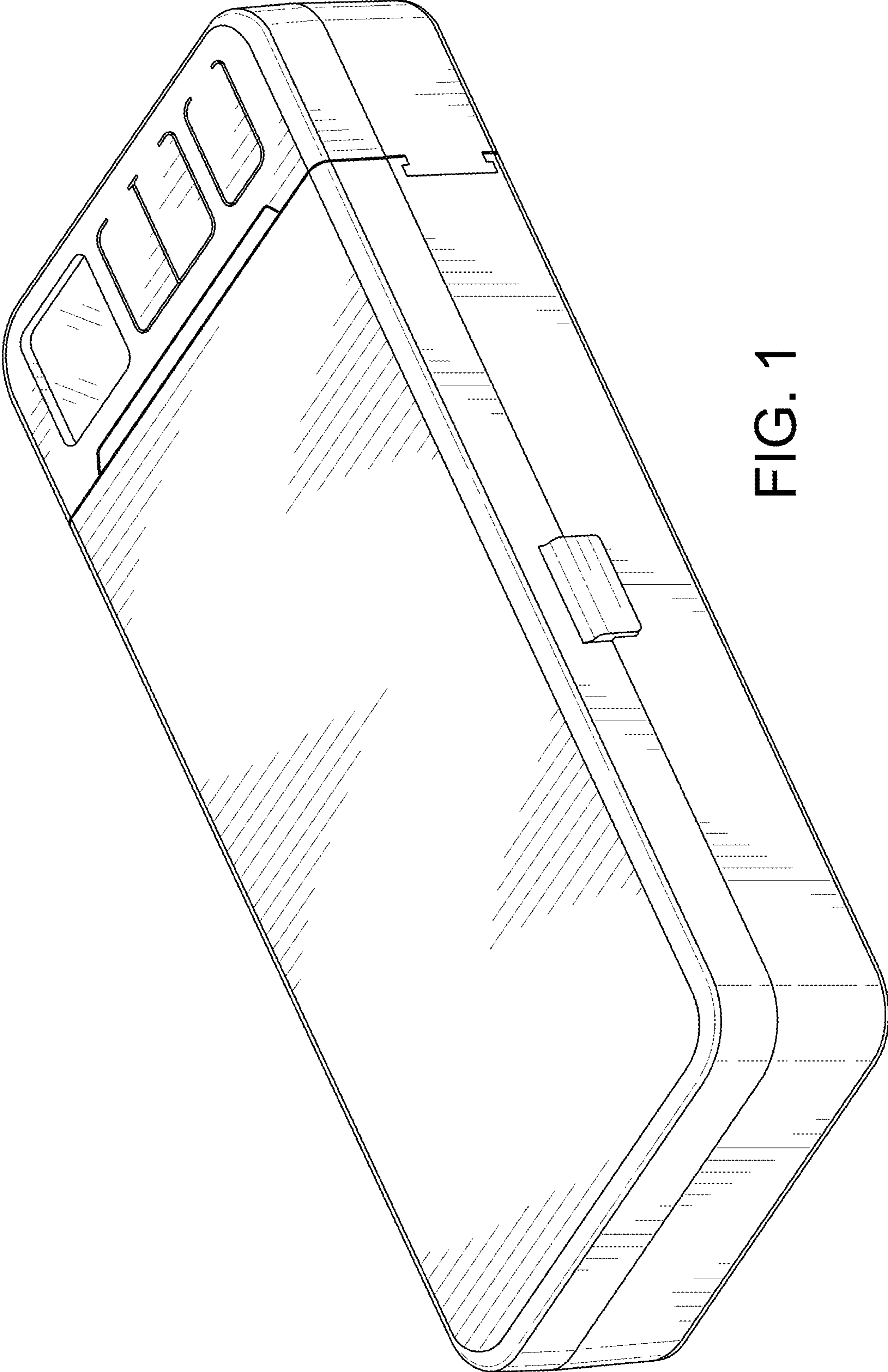


FIG. 1

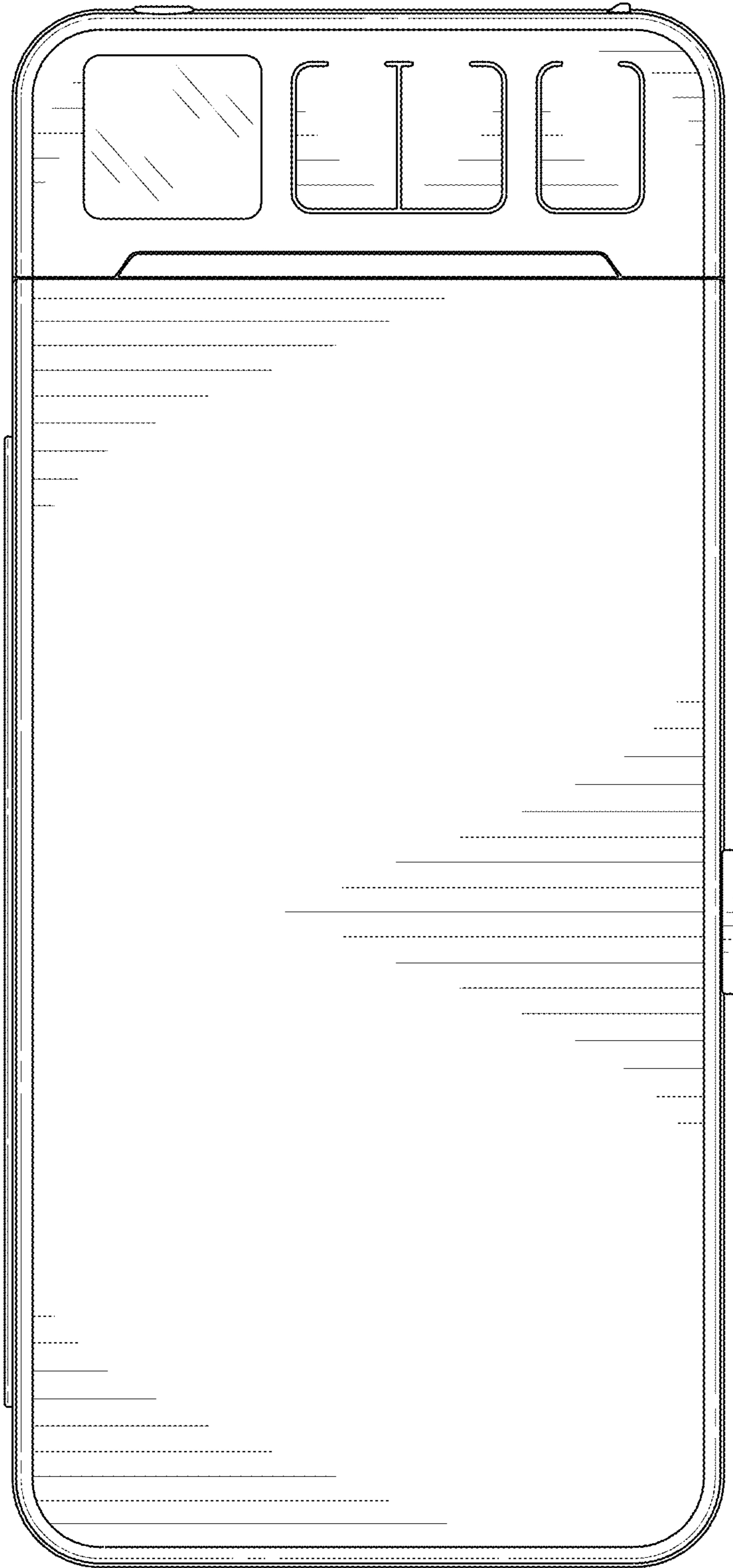


FIG. 2

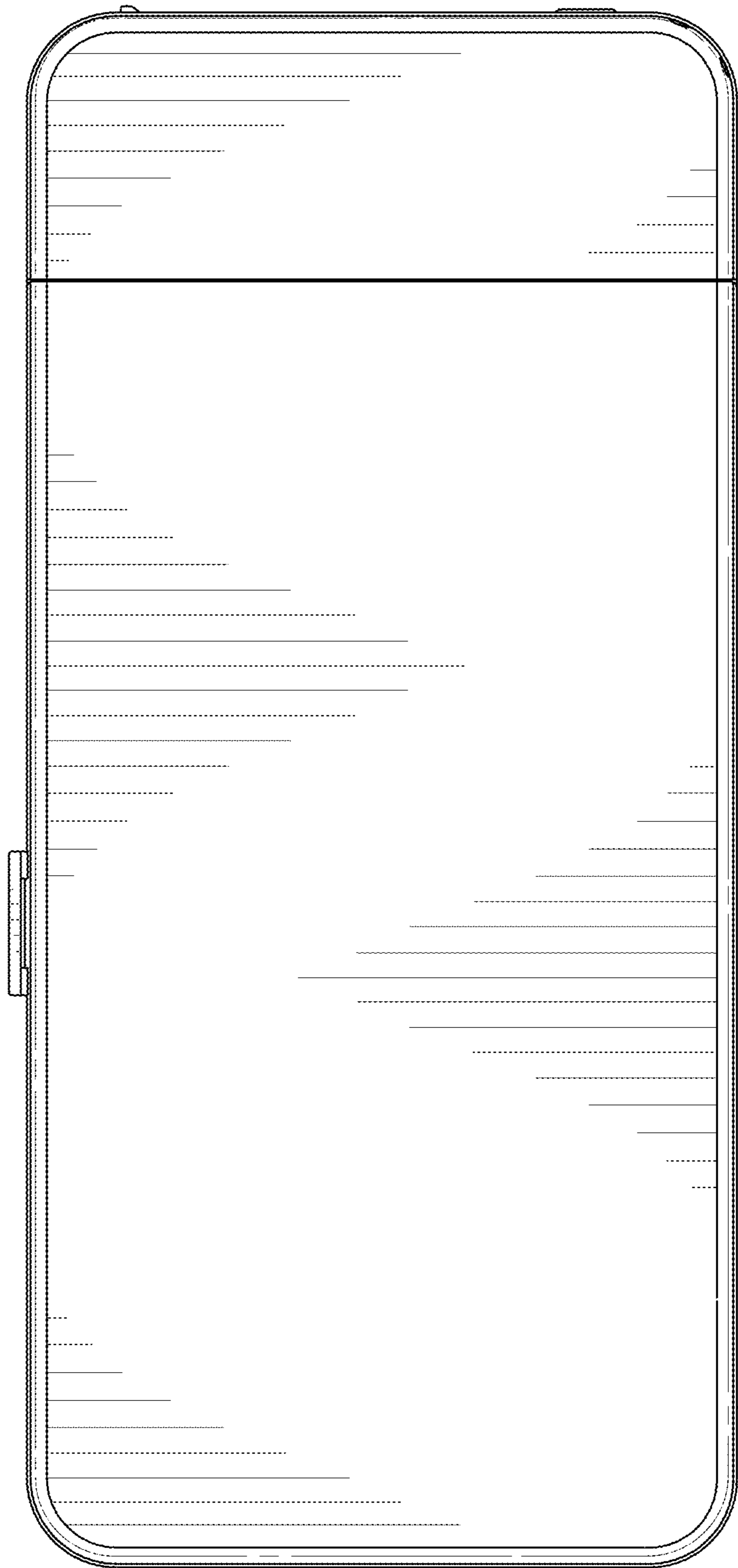


FIG. 3

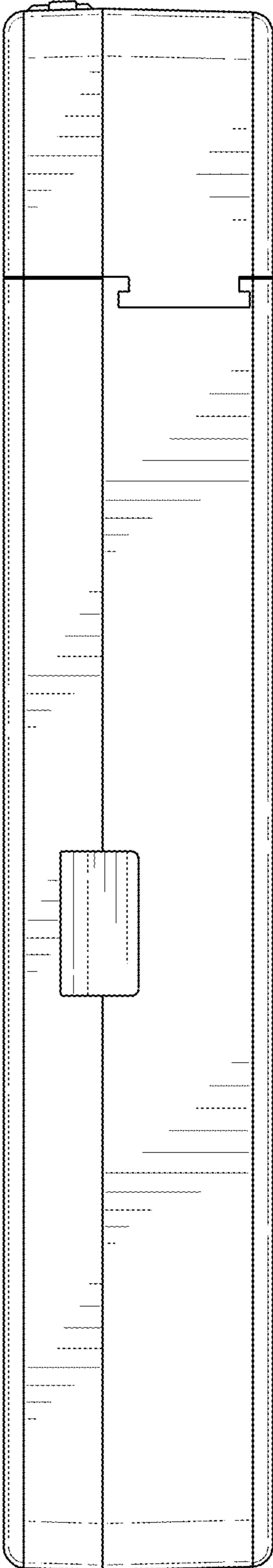


FIG. 4

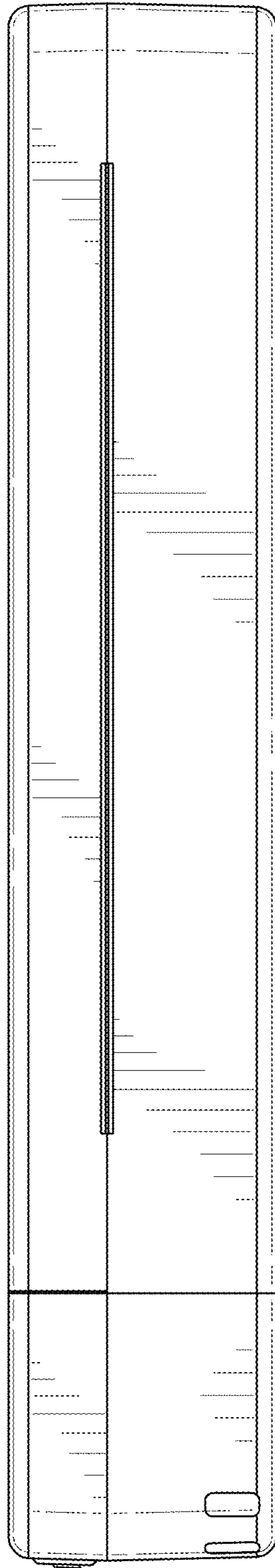


FIG. 5

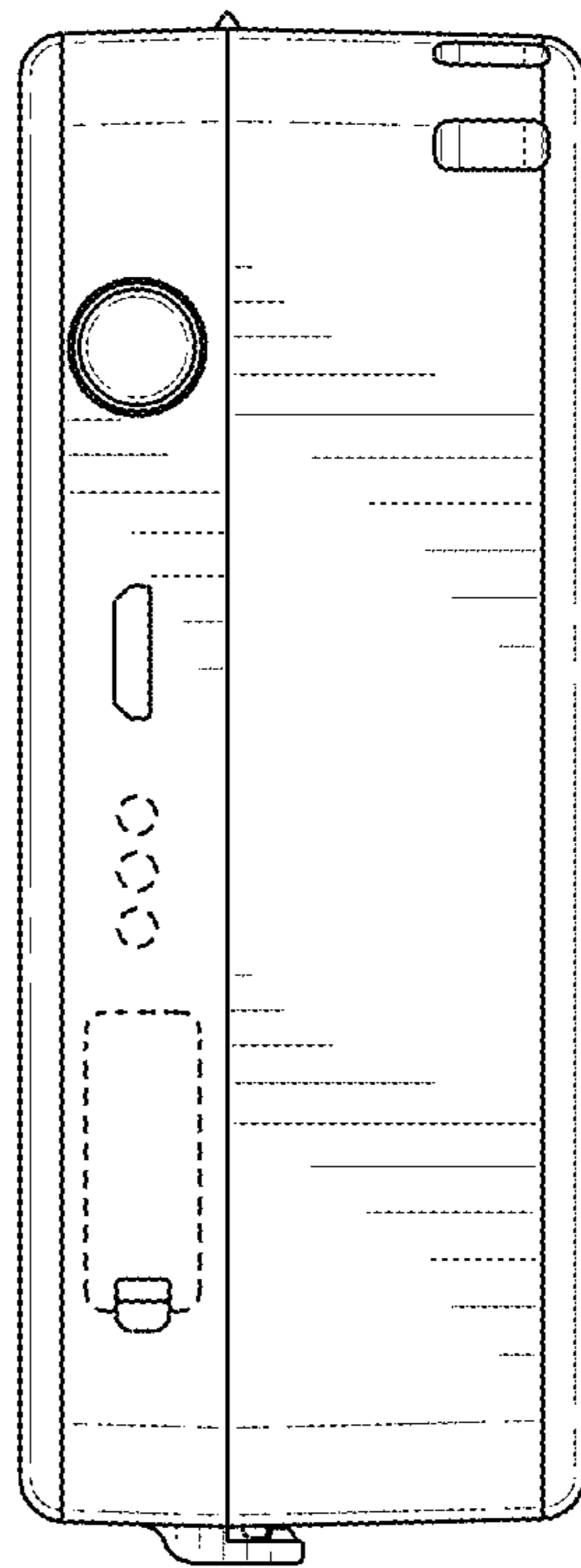


FIG. 6



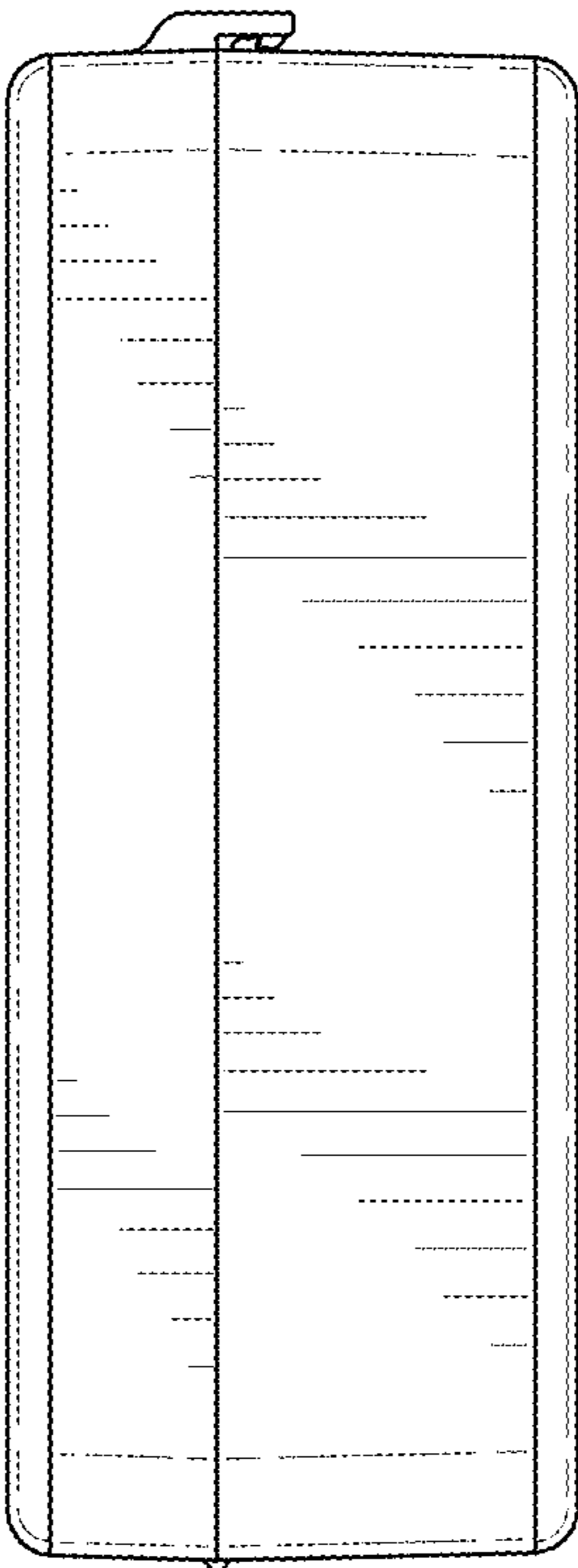


FIG. 7

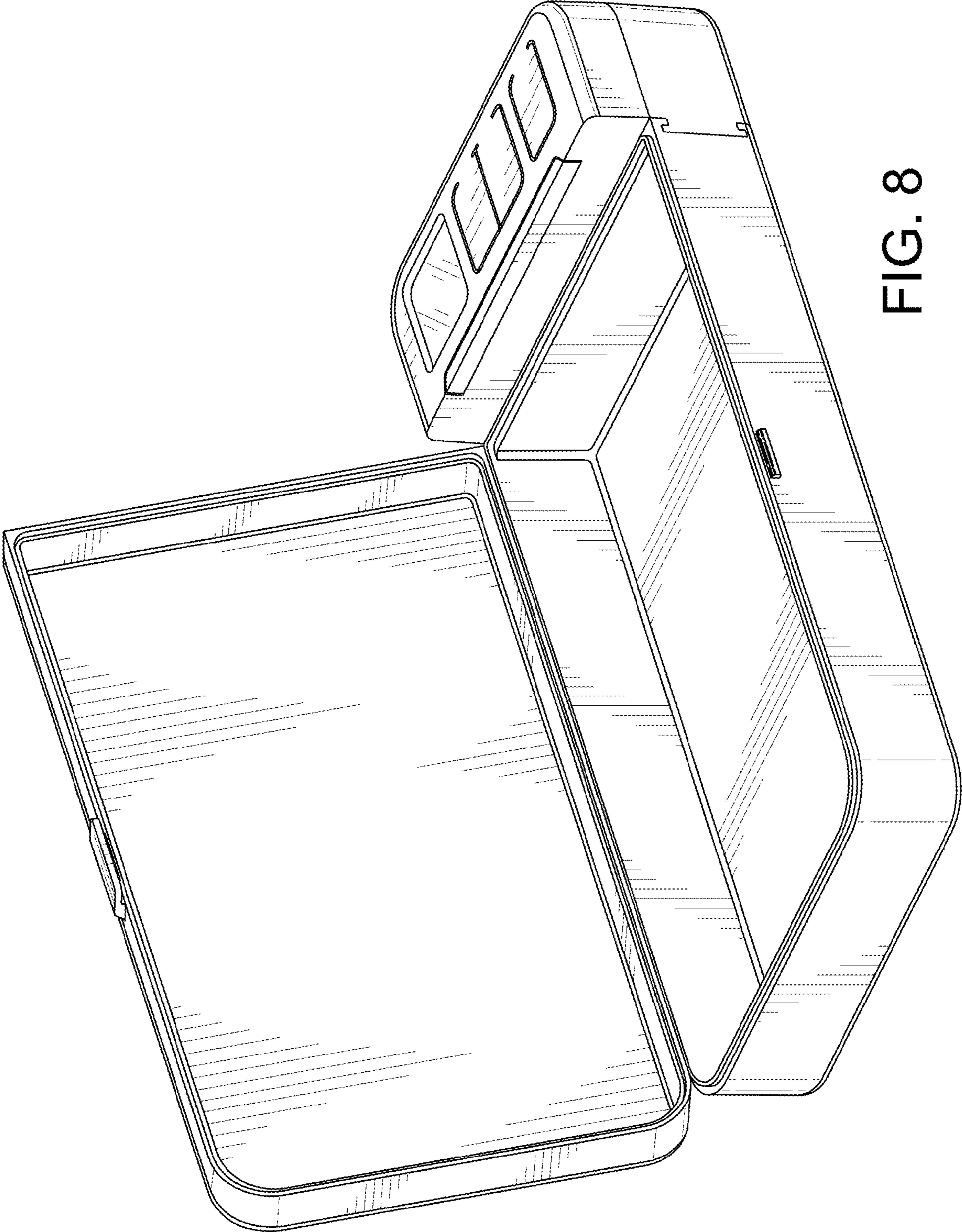


FIG. 8

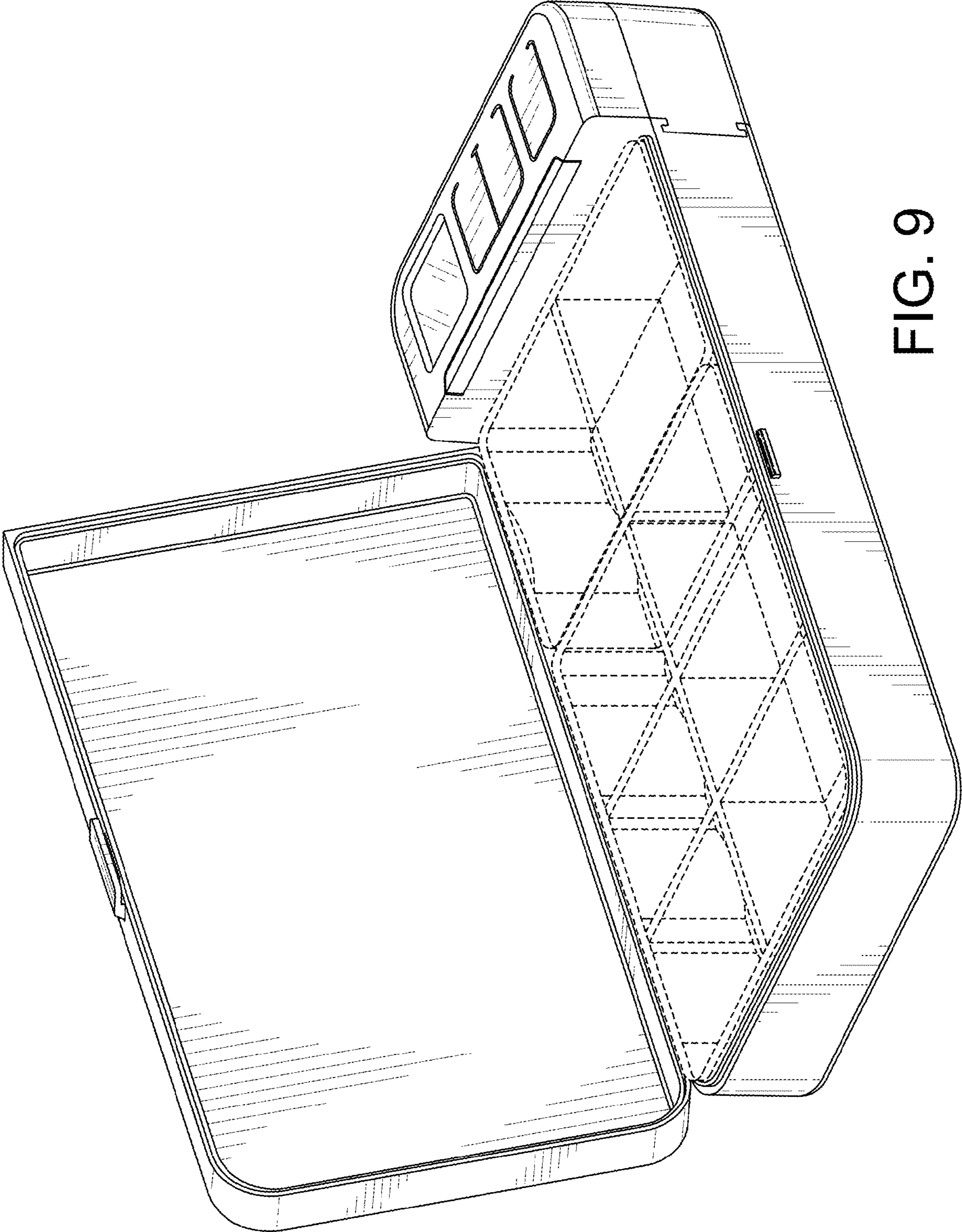


FIG. 9