



US00D945143S

(12) **United States Design Patent**
Casadei

(10) **Patent No.:** **US D945,143 S**
(45) **Date of Patent:** **** Mar. 8, 2022**

(54) **FASHION ORNAMENT**
(71) Applicant: **J. Choo Limited**, London (GB)
(72) Inventor: **Alfredo Casadei**, London (GB)
(73) Assignee: **J. Choo Limited**, London (GB)
(**) Term: **15 Years**

2,171,984 A * 9/1939 Mariani A44B 11/24
24/178
D513,860 S 1/2006 Choi
D542,020 S 5/2007 Choi
D577,479 S * 9/2008 Weitzman D2/926
D883,842 S * 5/2020 Avni D11/34
D888,397 S * 6/2020 Andrews D2/971
D893,350 S * 8/2020 Della Valle D11/231
D913,151 S * 3/2021 Della Valle D11/231
D935,778 S * 11/2021 Cardenas D3/318

(21) Appl. No.: **29/713,249**
(22) Filed: **Nov. 14, 2019**

* cited by examiner

(30) **Foreign Application Priority Data**

Primary Examiner — Garth Rademaker
Assistant Examiner — Laura H Yu
(74) *Attorney, Agent, or Firm* — Fross Zelnick Lehrman & Zissu, P.C.; Lawrence E. Apolzon, Esq.

Jul. 24, 2019 (EM) 006645669-0018
Jul. 24, 2019 (EM) 006645669-0020

(51) **LOC (13) Cl.** **02-07**
(52) **U.S. Cl.**
USPC **D2/976; D11/200**

(57) **CLAIM**

The ornamental design for a fashion ornament, as shown and described.

(58) **Field of Classification Search**
USPC D2/976, 896, 902, 906–908, 969, 972;
D11/1, 2, 206–210, 214–218, 230, 231,
D11/200
CPC ... A43B 13/141; A43B 23/0235; A43B 13/16;
A43B 13/184; A43B 13/187; A43B
13/188; A43B 1/0027; A43B 23/25; F16G
3/04; F16G 3/16; F16G 3/003; F16G
3/02; F16G 3/00; F16G 3/08; F16G 3/09;
A44B 11/04; A44B 11/02; A44B 11/001;
A44B 11/006
See application file for complete search history.

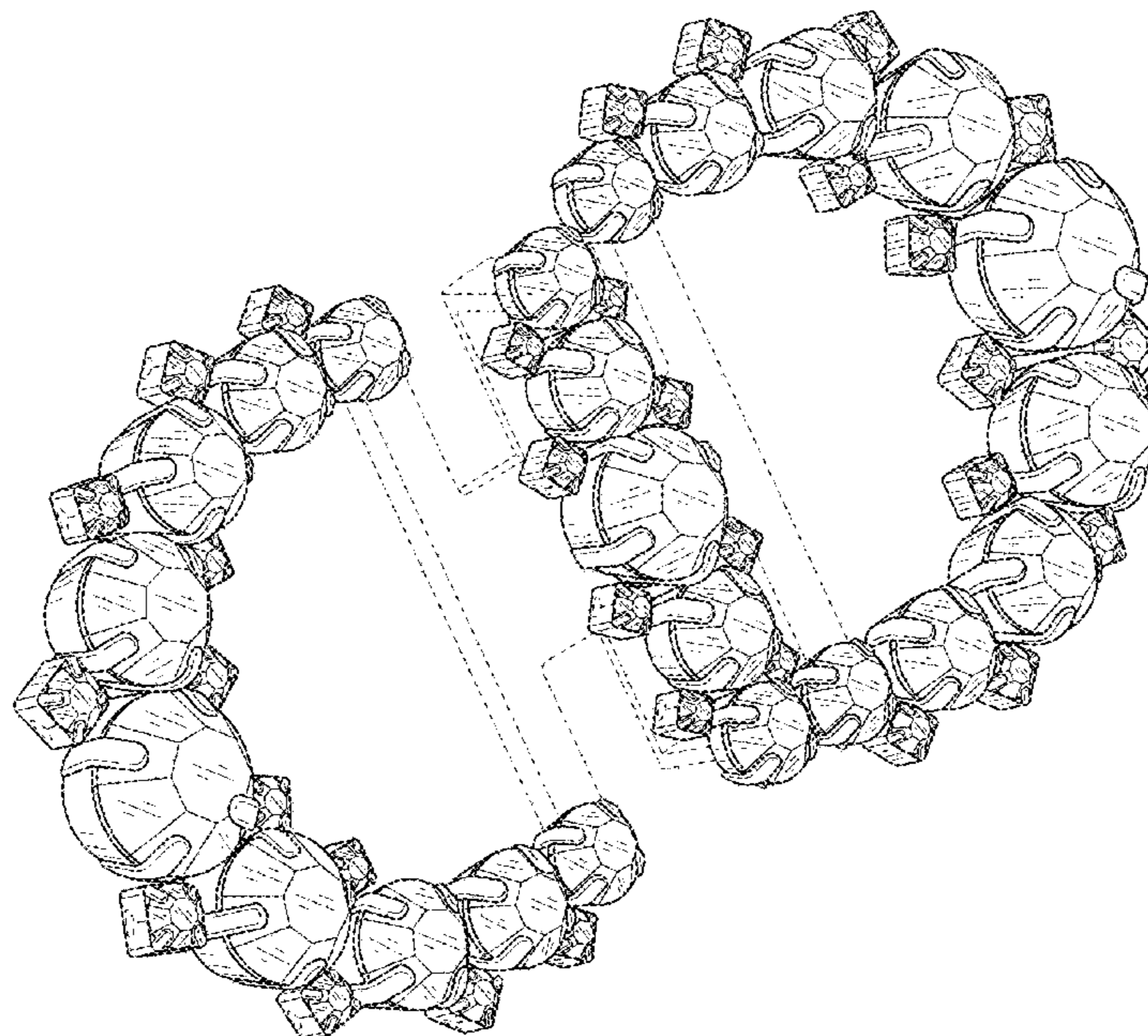
DESCRIPTION

FIG. 1 is a front perspective view of a fashion ornament showing my new design;
FIG. 2 is a front view thereof;
FIG. 3 is a left side view thereof;
FIG. 4 is a right side view thereof;
FIG. 5 is a top view thereof;
FIG. 6 is a bottom view thereof; and,
FIG. 7 is a front perspective view of the fashion ornament shown in FIG. 1, shown in the environment of a shoe.
The broken lines showing a shoe in FIG. 7 illustrate environment and form no part of the claimed design. All other broken lines in the drawings illustrate portions of the article which form no part of the claimed design.

(56) **References Cited**
U.S. PATENT DOCUMENTS

D101,152 S * 9/1936 Weinstat D2/933
D103,585 S * 3/1937 Oswell D2/976

1 Claim, 6 Drawing Sheets



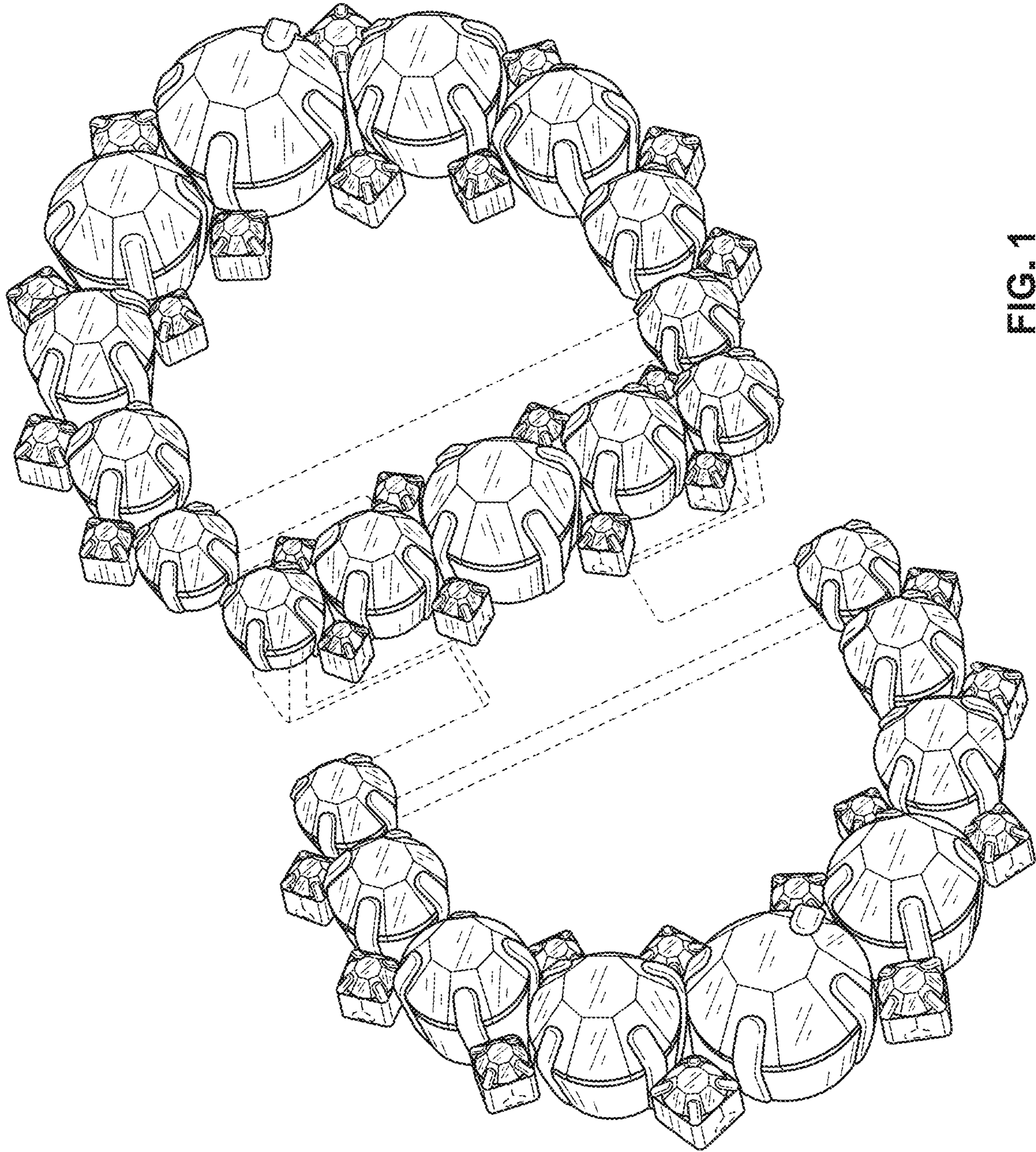


FIG. 1

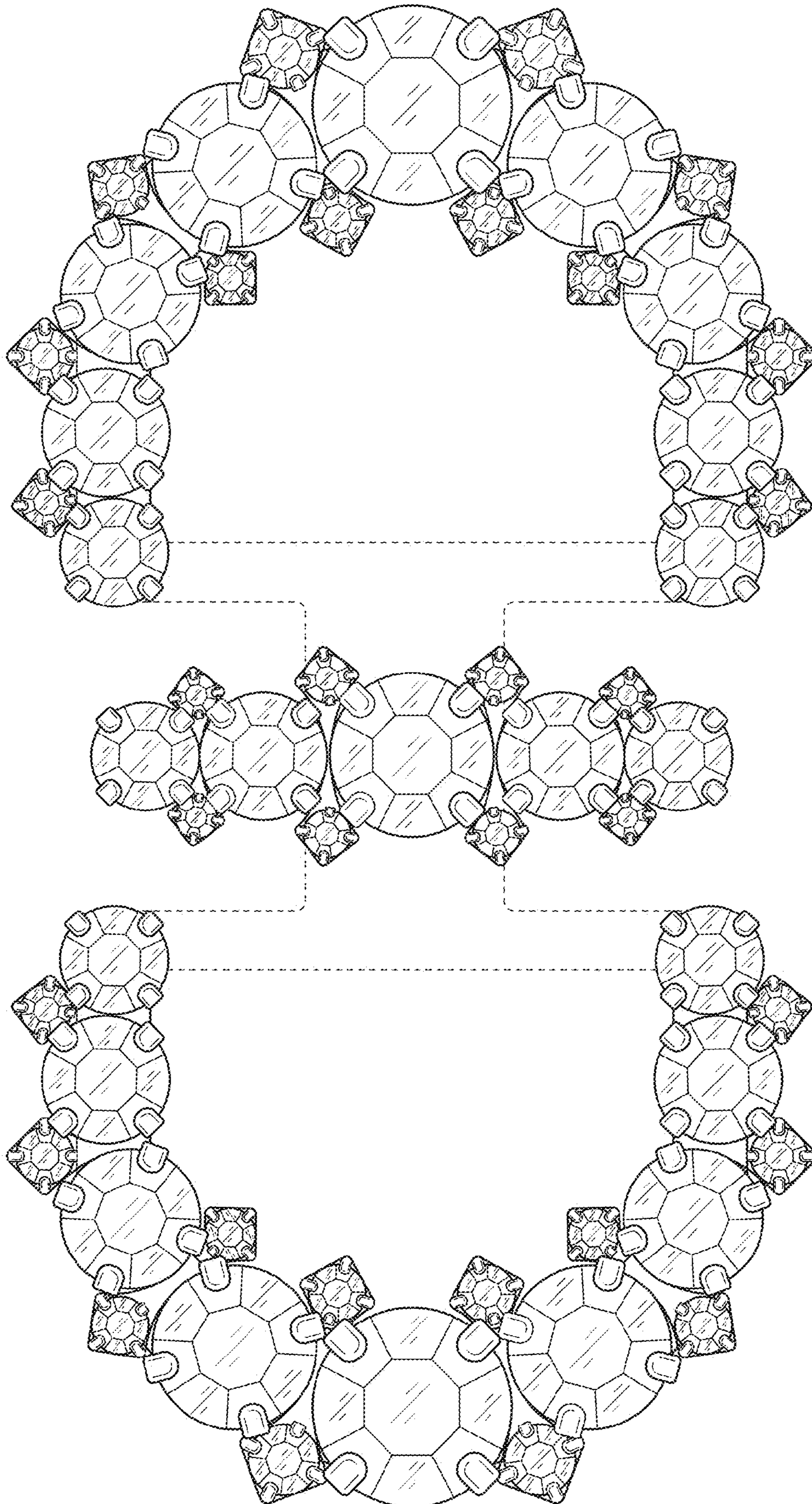


FIG. 2

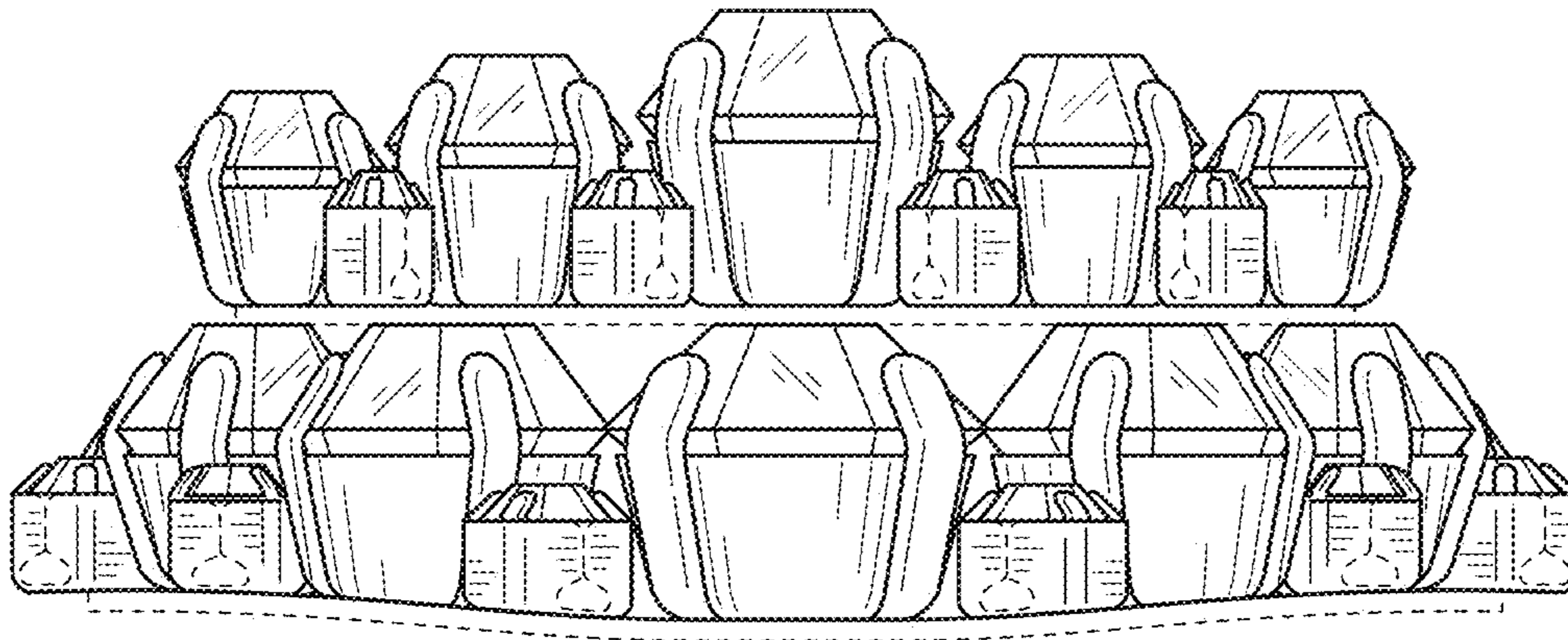


FIG. 4

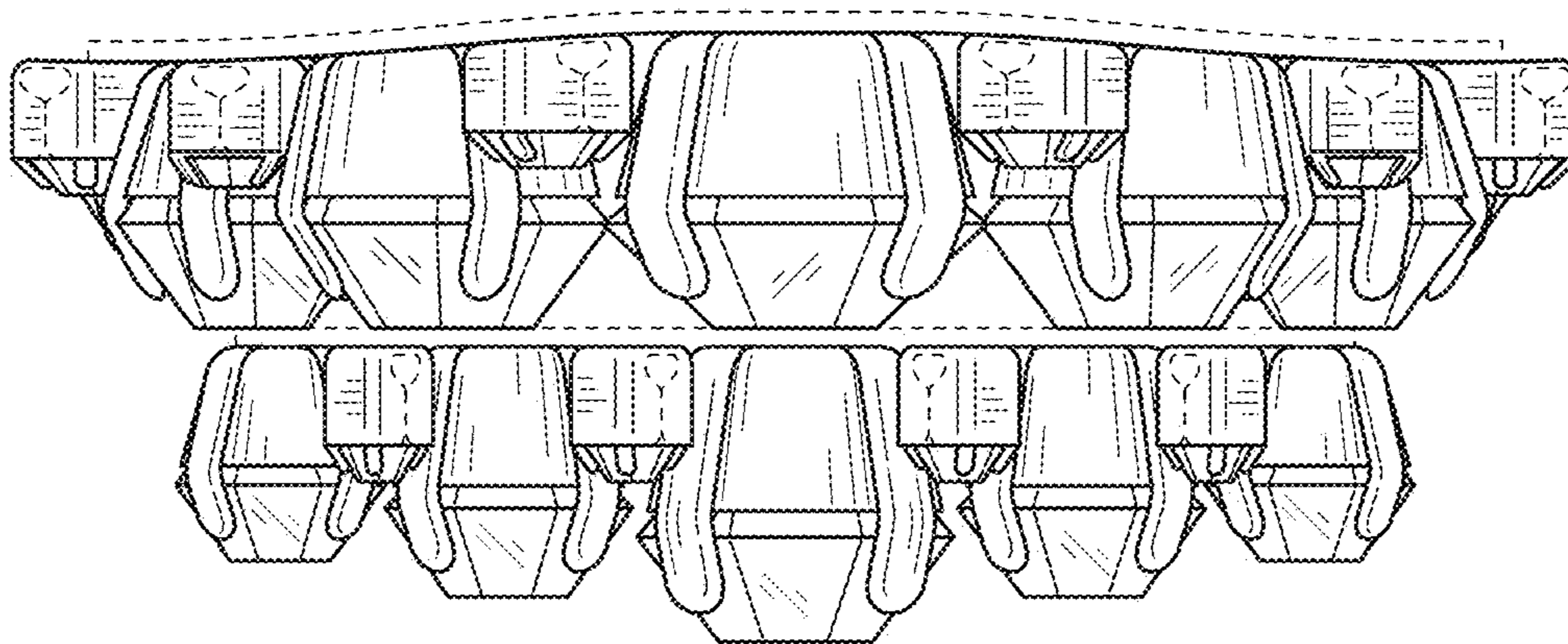


FIG. 3

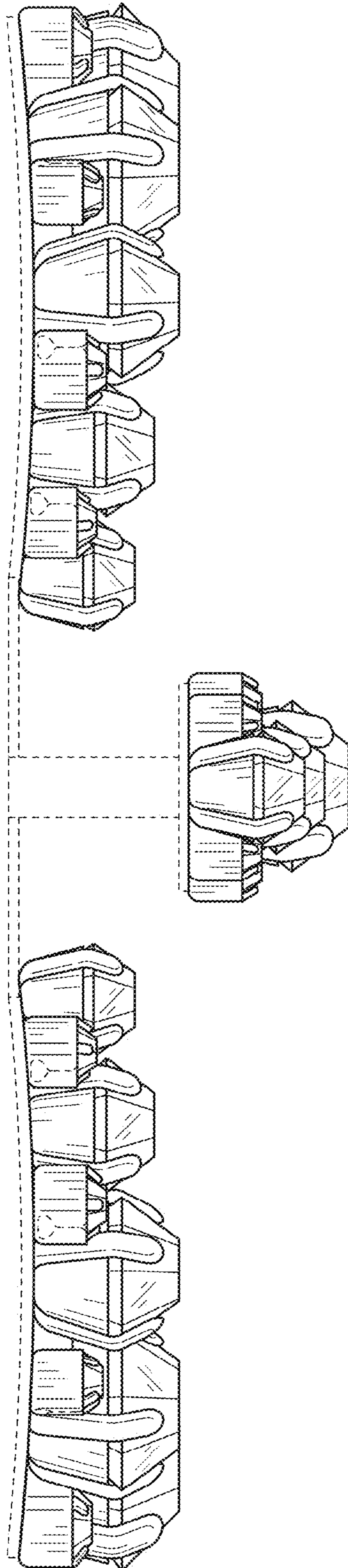


FIG. 5

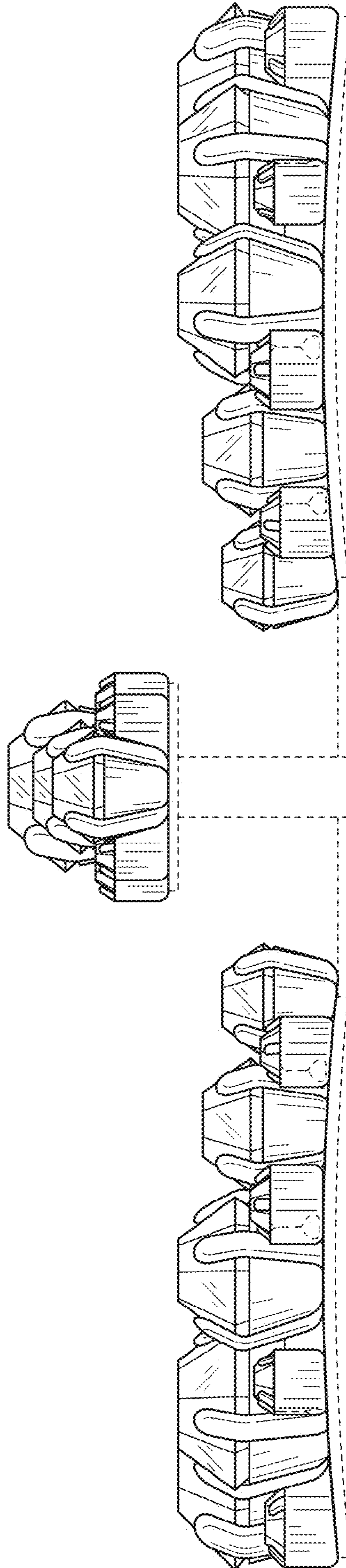


FIG. 6

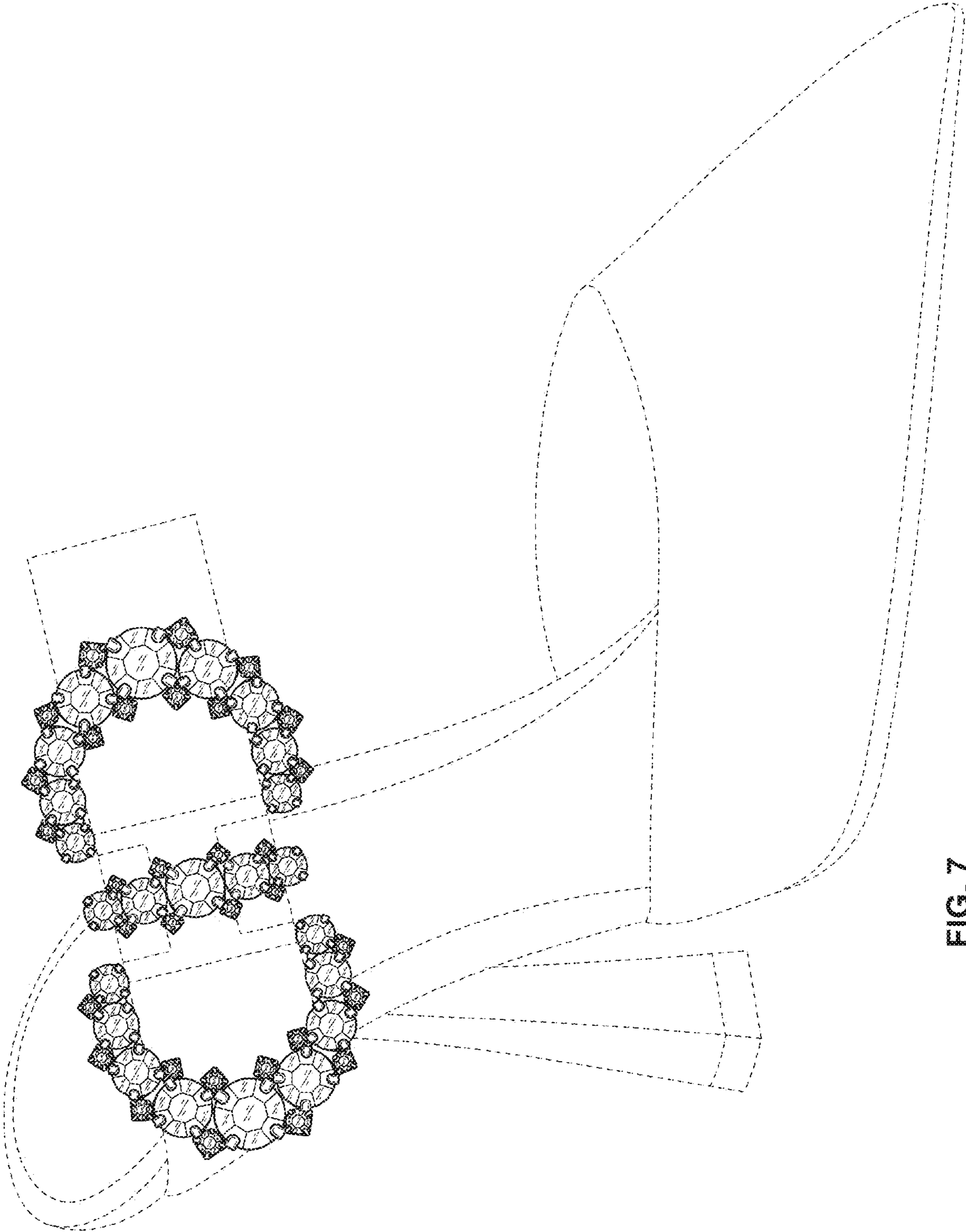


FIG. 7