



US00D945129S

(12) **United States Design Patent**  
**Daiber**

(10) **Patent No.:** **US D945,129 S**

(45) **Date of Patent:** **\*\* Mar. 8, 2022**

(54) **SHOE**

(71) Applicant: **adidas AG**, Herzogenaurach (DE)

(72) Inventor: **Nicholas John Daiber**, Highland, IL (US)

(73) Assignee: **adidas AG**, Herzogenaurach (DE)

(\*\*) Term: **15 Years**

(21) Appl. No.: **29/723,251**

(22) Filed: **Feb. 5, 2020**

**Related U.S. Application Data**

(63) Continuation of application No. 29/637,309, filed on Feb. 15, 2018, now Pat. No. Des. 876,053.

(51) **LOC (13) Cl.** ..... **02-04**

(52) **U.S. Cl.**  
USPC ..... **D2/947; D2/951; D2/953; D2/957; D2/960**

(58) **Field of Classification Search**

USPC ..... D2/902, 906, 908, 916, 918, 925, D2/946-962, 977; 36/3 B, 22 R, 24.5, 36/25 R, 28, 32 R, 34 R, 59 C, 67 A, 103  
CPC ..... A43B 13/00; A43B 13/02; A43B 13/023; A43B 13/026; A43B 13/04; A43B 13/08; A43B 13/10; A43B 13/12; A43B 13/14; A43B 13/141; A43B 13/143; A43B 13/16; A43B 13/18; A43B 13/181; A43B 13/187; A43B 13/189; A43B 13/20; A43B 13/22; A43B 13/223; A43B 13/24; A43B 13/28; A43B 13/30; A43B 13/32; A43B 13/34; A43B 13/36

See application file for complete search history.

(56) **References Cited**

**U.S. PATENT DOCUMENTS**

D107,977 S \* 1/1938 Tousley ..... D2/953  
D249,298 S \* 9/1978 Senter ..... D2/908

D257,075 S \* 9/1980 Amicone ..... D2/953  
D259,150 S \* 5/1981 Cesare ..... D2/953  
D265,605 S \* 8/1982 Batra ..... D2/953  
4,438,573 A 3/1984 McBarron  
D298,683 S 11/1988 Kelley et al.  
D316,324 S \* 4/1991 Rogers ..... D2/953  
D327,165 S \* 6/1992 Hatfield ..... D2/953  
D330,972 S \* 11/1992 Hatfield ..... D2/953  
D331,147 S \* 11/1992 Smith ..... D2/953  
D339,461 S 9/1993 Kayano  
D345,046 S \* 3/1994 Avar ..... D2/953  
D356,665 S \* 3/1995 Lucarelli ..... D2/953  
D408,972 S \* 5/1999 Greenberg ..... D2/953  
D412,237 S \* 7/1999 Hatfield ..... D2/947  
D474,591 S \* 5/2003 Clegg ..... D2/972  
D498,904 S 11/2004 Lee  
D501,071 S \* 1/2005 Bailey ..... D2/969

(Continued)

*Primary Examiner* — T Chase Nelson

(74) *Attorney, Agent, or Firm* — Sterne, Kessler, Goldstein & Fox P.L.L.C.

(57) **CLAIM**

The ornamental design for a shoe, as shown and described.

**DESCRIPTION**

FIG. 1 is a bottom rear perspective view of a shoe showing the claimed design;

FIG. 2 is a front view thereof;

FIG. 3 is a rear view thereof;

FIG. 4 is a left side view thereof;

FIG. 5 is a right side view thereof;

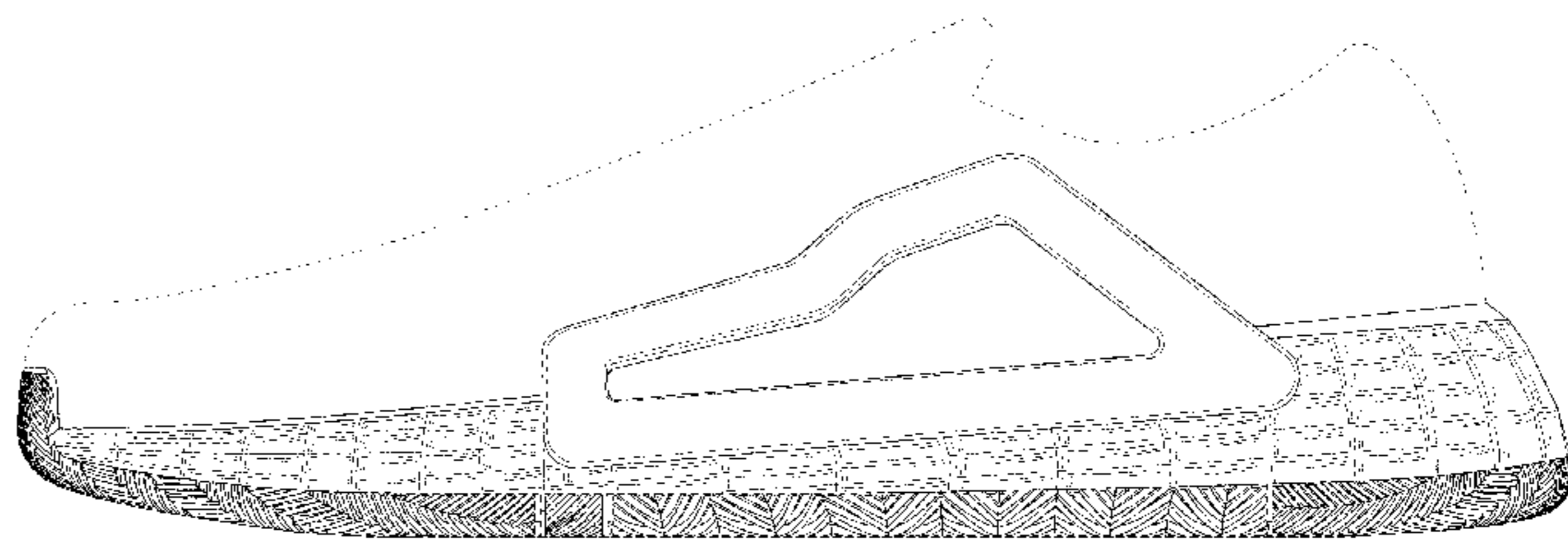
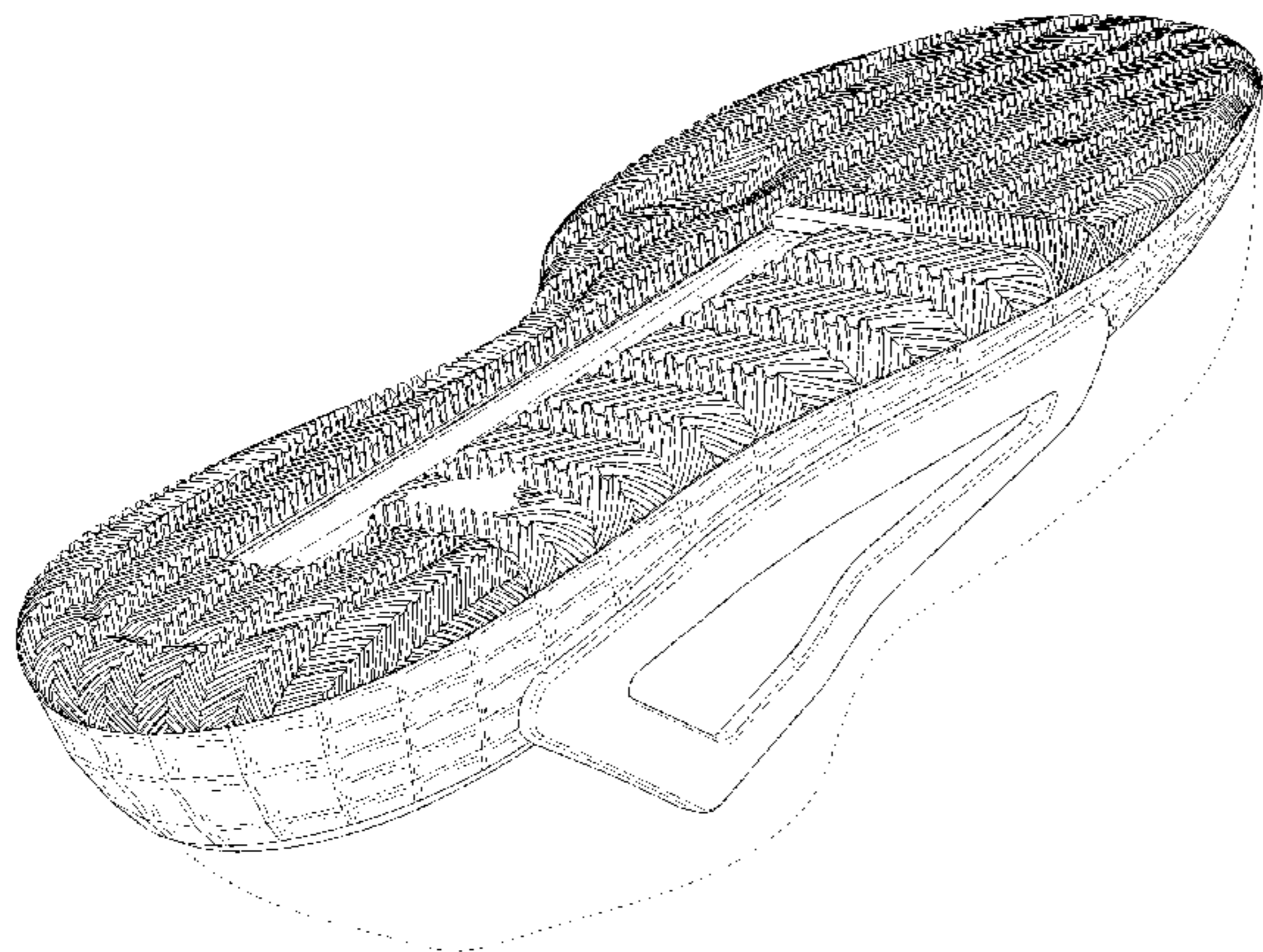
FIG. 6 is a top view thereof; and,

FIG. 7 is a bottom view thereof.

The broken lines in the figures show portions of the shoe that form no part of the claimed design.

The shade lines in the figures show contour and not surface ornamentation.

**1 Claim, 6 Drawing Sheets**



(56)

References Cited

U.S. PATENT DOCUMENTS

|                |         |                  |       |                       |                   |         |                   |       |                        |
|----------------|---------|------------------|-------|-----------------------|-------------------|---------|-------------------|-------|------------------------|
| D519,268 S *   | 4/2006  | Choi             | ..... | D2/946                | D882,228 S *      | 4/2020  | Yu                | ..... | D2/953                 |
| 7,124,520 B2 * | 10/2006 | Galbraith        | ..... | A43B 7/144<br>36/43   | D882,925 S *      | 5/2020  | Cobb              | ..... | D2/960                 |
| D561,438 S     | 2/2008  | Belley           |       |                       | D885,032 S *      | 5/2020  | Durand            | ..... | D2/960                 |
| D581,641 S     | 12/2008 | Bethke, Jr.      |       |                       | D887,690 S *      | 6/2020  | Blimel            | ..... | D2/947                 |
| D584,036 S *   | 1/2009  | Selbiger         | ..... | A43B 13/223<br>D2/953 | D891,062 S *      | 7/2020  | Jenkins           | ..... | A43B 11/00<br>D2/957   |
| D584,493 S     | 1/2009  | Avar             |       |                       | D891,745 S *      | 8/2020  | Han               | ..... | D2/947                 |
| D596,385 S     | 7/2009  | McDade et al.    |       |                       | D901,150 S *      | 11/2020 | Kuerbis           | ..... | D2/953                 |
| D633,697 S *   | 3/2011  | Mann             | ..... | D2/923                | D913,664 S *      | 3/2021  | Gibson            | ..... | D2/953                 |
| D710,078 S     | 8/2014  | Joseph           |       |                       | D915,055 S *      | 4/2021  | Herath            | ..... | D2/972                 |
| D712,645 S     | 9/2014  | Bove             |       |                       | D917,144 S *      | 4/2021  | Jensen            | ..... | D2/960                 |
| D751,797 S *   | 3/2016  | Slimane          | ..... | A43B 7/144<br>D2/908  | D919,266 S *      | 5/2021  | Cui               | ..... | D2/953                 |
| D770,742 S     | 11/2016 | Reiser           |       |                       | D923,296 S *      | 6/2021  | Small             | ..... | D2/947                 |
| D781,040 S     | 3/2017  | Scofield         |       |                       | D932,159 S *      | 10/2021 | Petrie            | ..... | D2/953                 |
| D790,175 S     | 6/2017  | Pulli            |       |                       | 2009/0083996 A1 * | 4/2009  | Clancy            | ..... | A43C 15/00<br>36/88    |
| D790,818 S     | 7/2017  | Mondesir         |       |                       | 2009/0188132 A1 * | 7/2009  | Fujikawa          | ..... | A43B 13/223<br>36/103  |
| D795,540 S     | 8/2017  | Nishimura et al. |       |                       | 2014/0026438 A1 * | 1/2014  | Cortez            | ..... | A43B 13/184<br>36/28   |
| D797,418 S     | 9/2017  | Lee et al.       |       |                       | 2014/0223779 A1 * | 8/2014  | Elder             | ..... | A43B 23/0245<br>36/103 |
| D801,660 S     | 11/2017 | Young            |       |                       | 2015/0089841 A1 * | 4/2015  | Smaldone          | ..... | A43B 13/181<br>36/103  |
| D816,961 S     | 5/2018  | Bardea           |       |                       | 2015/0181976 A1 * | 7/2015  | Cooper            | ..... | A43B 13/181<br>36/28   |
| 10,130,144 B1  | 11/2018 | Shiao            |       |                       | 2016/0029743 A1 * | 2/2016  | Cavaliere         | ..... | A43B 5/00<br>36/105    |
| D840,663 S *   | 2/2019  | Flanagan         | ..... | A43B 11/00<br>D2/972  | 2016/0219980 A1 * | 8/2016  | Taylor            | ..... | A43B 13/223            |
| D841,304 S *   | 2/2019  | DeAlmeida        | ..... | D2/972                | 2016/0219981 A1 * | 8/2016  | Taylor            | ..... | A43C 11/14             |
| D845,597 S     | 4/2019  | Barnes           |       |                       | 2016/0219983 A1 * | 8/2016  | Taylor            | ..... | A43C 1/00              |
| D858,964 S     | 9/2019  | Vestuti et al.   |       |                       | 2018/0160768 A1 * | 6/2018  | Clifton           | ..... | A43B 3/0031            |
| D862,059 S     | 10/2019 | de Montgolfier   |       |                       | 2018/0192736 A1 * | 7/2018  | Luedecke          | ..... | A43B 23/0255           |
| D866,135 S *   | 11/2019 | Durflinger       | ..... | D2/947                | 2019/0091895 A1   | 3/2019  | Knappworst et al. |       |                        |
| D866,157 S *   | 11/2019 | Behr             | ..... | D2/972                | 2019/0365044 A1 * | 12/2019 | Cross             | ..... | A43B 13/122            |
| D872,433 S *   | 1/2020  | O'Connor         | ..... | D2/947                | 2020/0037704 A1 * | 2/2020  | Marshall          | ..... | A43B 13/18             |
| D874,801 S *   | 2/2020  | Hartmann         | ..... | D2/947                | 2020/0146397 A1 * | 5/2020  | Coupe             | ..... | G06T 19/00             |
| D876,053 S *   | 2/2020  | Daiber           | ..... | D2/947                | 2021/0059349 A1 * | 3/2021  | Luedecke          | ..... | B32B 5/14              |
| D876,763 S *   | 3/2020  | Petrenka         | ..... | D2/947                |                   |         |                   |       |                        |
| D876,767 S *   | 3/2020  | Petrenka         | ..... | D2/947                |                   |         |                   |       |                        |

\* cited by examiner

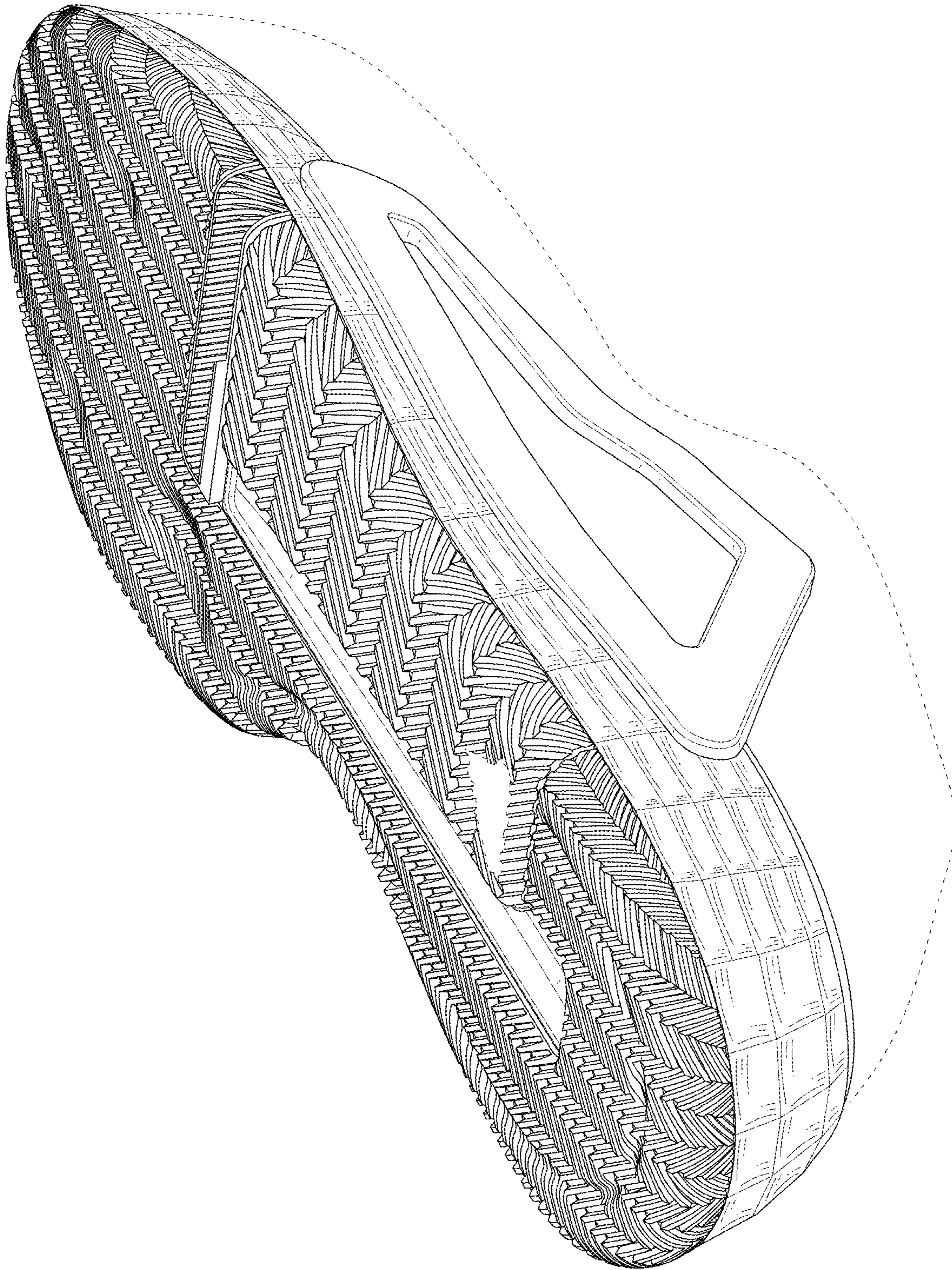


FIG. 1

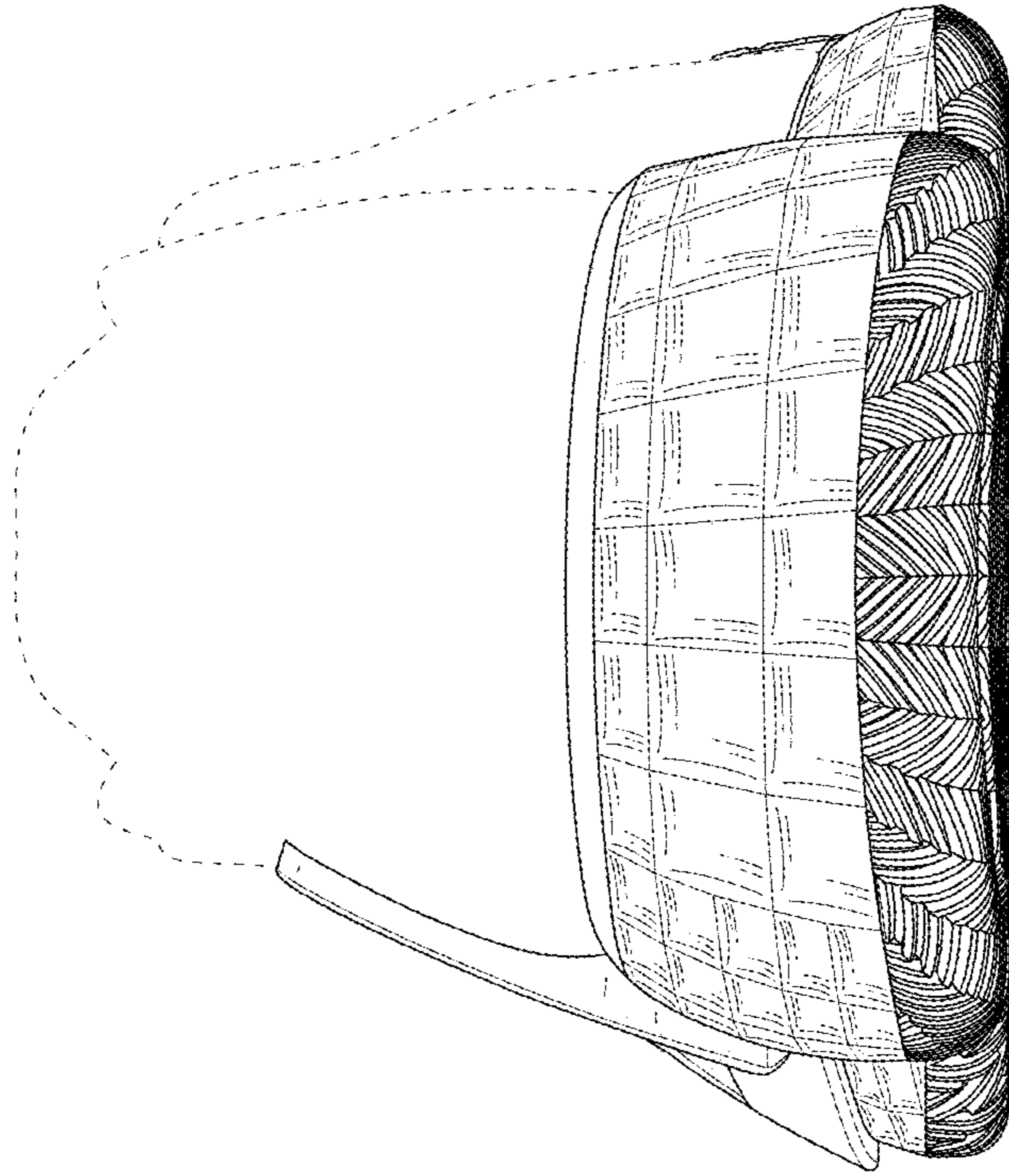


FIG. 3

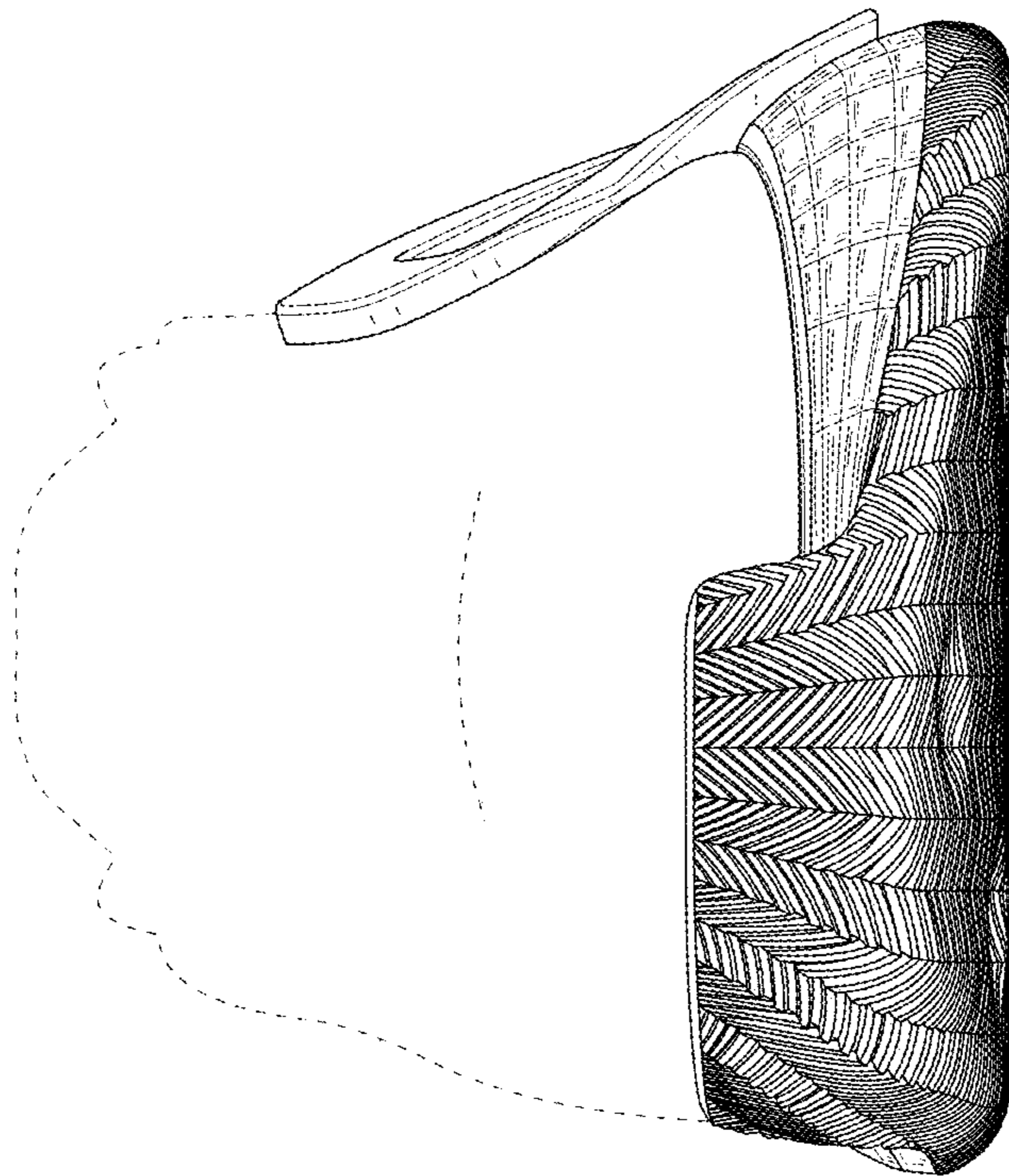


FIG. 2

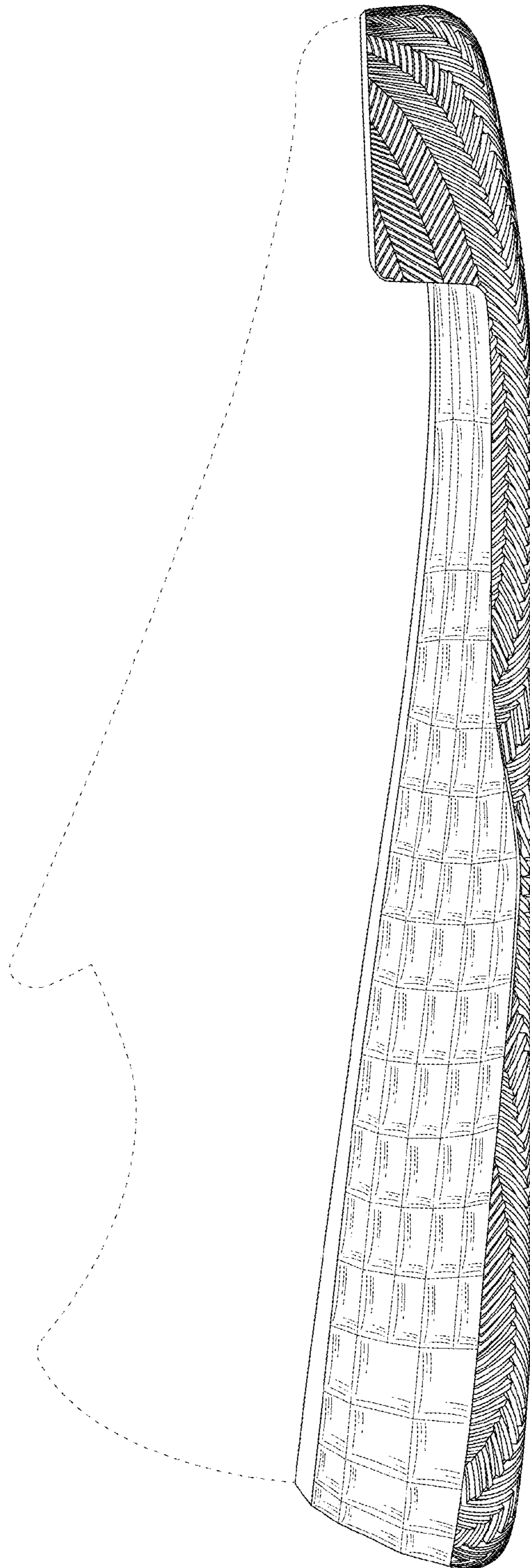


FIG. 4

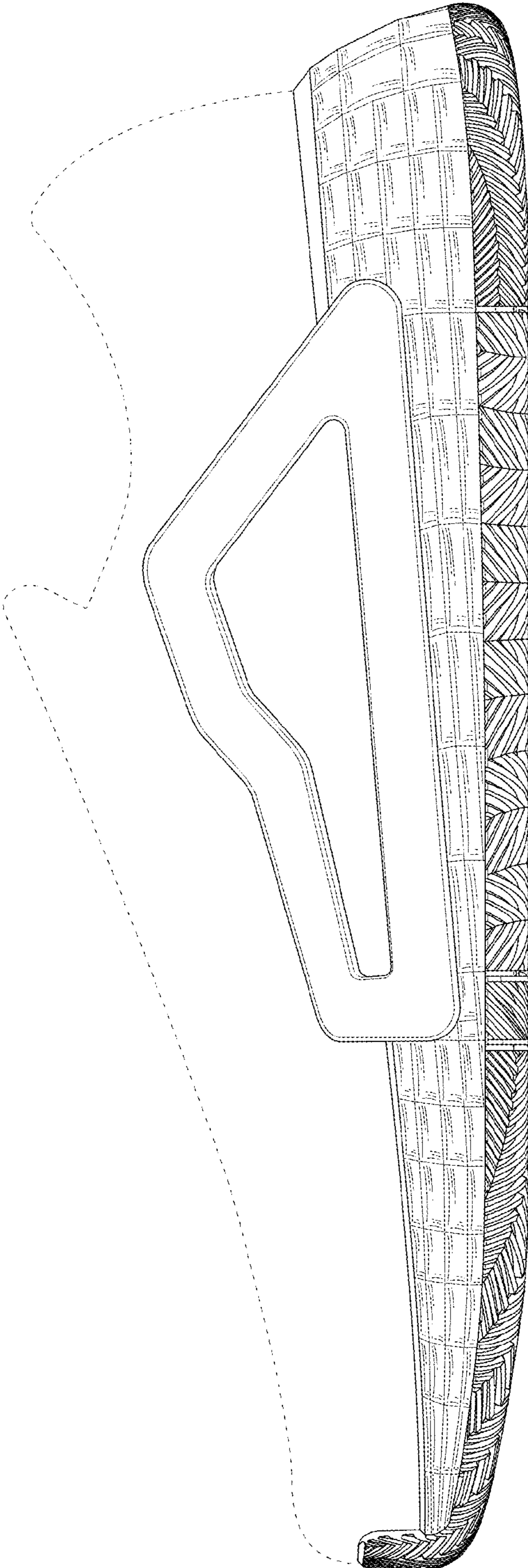


FIG. 5

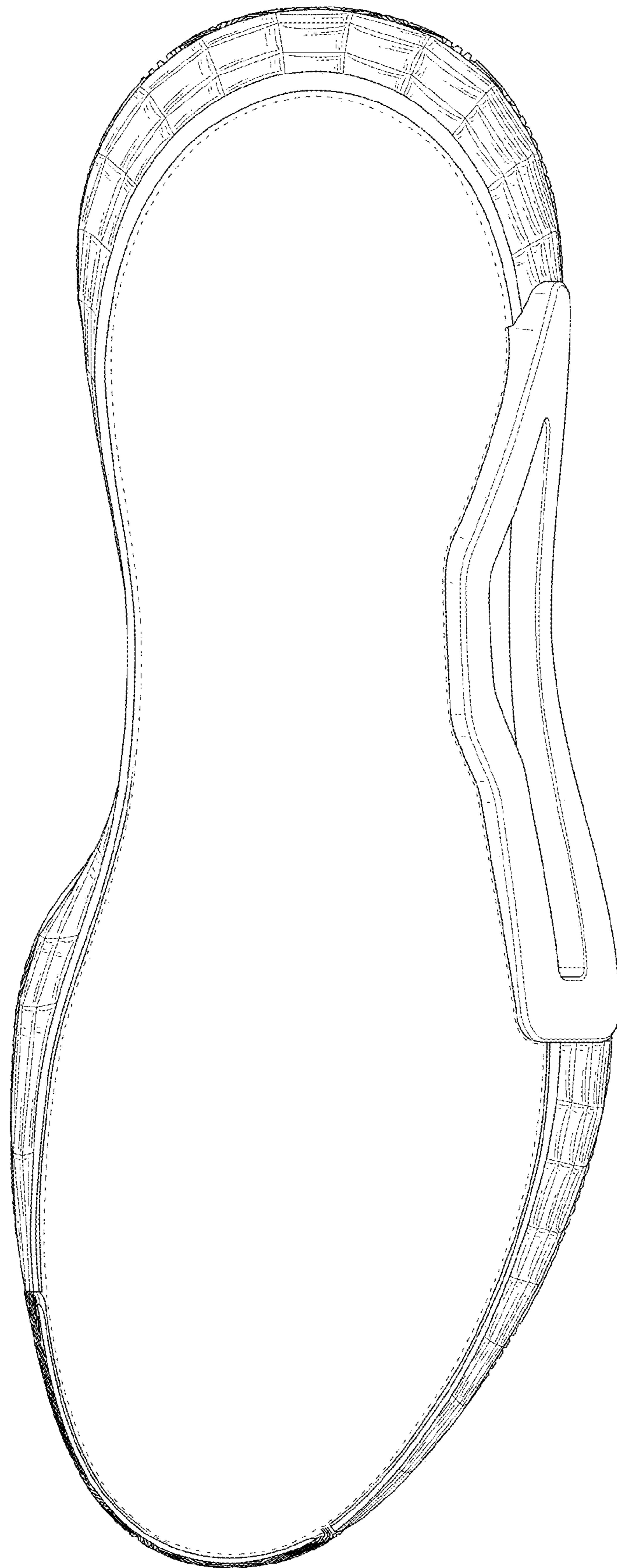


FIG. 6

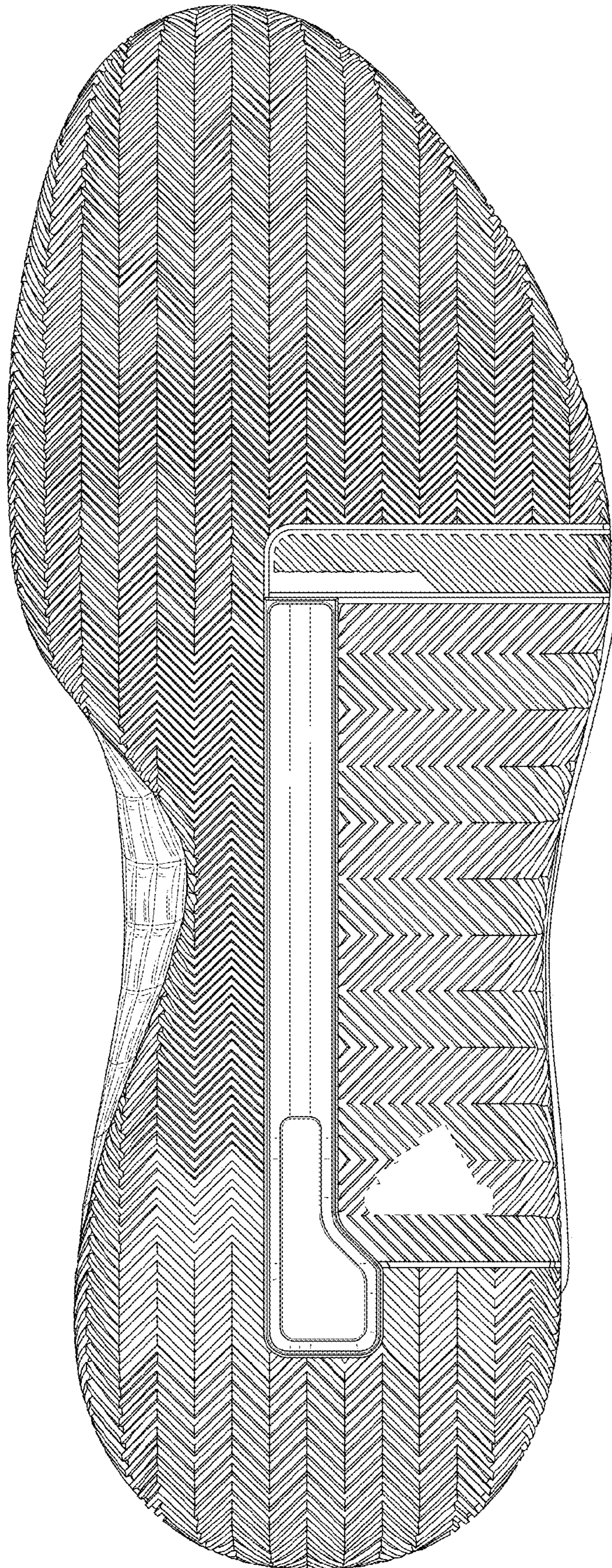


FIG. 7