



US00D945125S

(12) **United States Design Patent** (10) **Patent No.:** **US D945,125 S**
Scott (45) **Date of Patent:** **** Mar. 8, 2022**

(54) **APRON**
(71) Applicant: **Sherryl Lee Lorraine Scott**, Etobicoke (CA)
(72) Inventor: **Sherryl Lee Lorraine Scott**, Etobicoke (CA)
(**) Term: **15 Years**
(21) Appl. No.: **29/706,436**
(22) Filed: **Sep. 20, 2019**

Primary Examiner — Kevin K Rudzinski
Assistant Examiner — Amber J Rabie
(74) *Attorney, Agent, or Firm* — Robert S. Silver; Langer, Grogan and Diver, P.C.

(30) **Foreign Application Priority Data**

Aug. 26, 2019 (CA) CA 189504
(51) **LOC (13) Cl.** **02-02**
(52) **U.S. Cl.**
USPC **D2/861**
(58) **Field of Classification Search**
USPC D2/500, 501, 502, 740, 757, 775, 796,
D2/823, 824, 826, 827, 860, 861, 862,
D2/863, 864

(Continued)

(56) **References Cited**

U.S. PATENT DOCUMENTS

2,364,258 A * 12/1944 Wallace A41D 13/04
2/92
2,607,040 A * 8/1952 Zaleski A41D 13/04
2/51

(Continued)

FOREIGN PATENT DOCUMENTS

EP 2519833 B1 8/2015
KR 101590557 B1 2/2016
WO 2017036507 A1 3/2017

OTHER PUBLICATIONS

Chen et al., "Smart Clothing: Connecting Human with Clouds and Big Data for Sustainable Health Monitoring", *Mobile Netw. Appl.*, vol. 21, pp. 825-845 (2016).

(Continued)

(57) **CLAIM**

The ornamental design for an apron, as shown and described.

DESCRIPTION

FIG. 1 is a front plan view of one embodiment of the apron in accordance with my new design, with the straps of the apron being shown in an exemplary folded orientation, it being understood that each of the straps is linear when extended and laid flat;

FIG. 2 is a front view of the apron shown in FIG. 1, but in the state where it is shown worn on a mannequin;

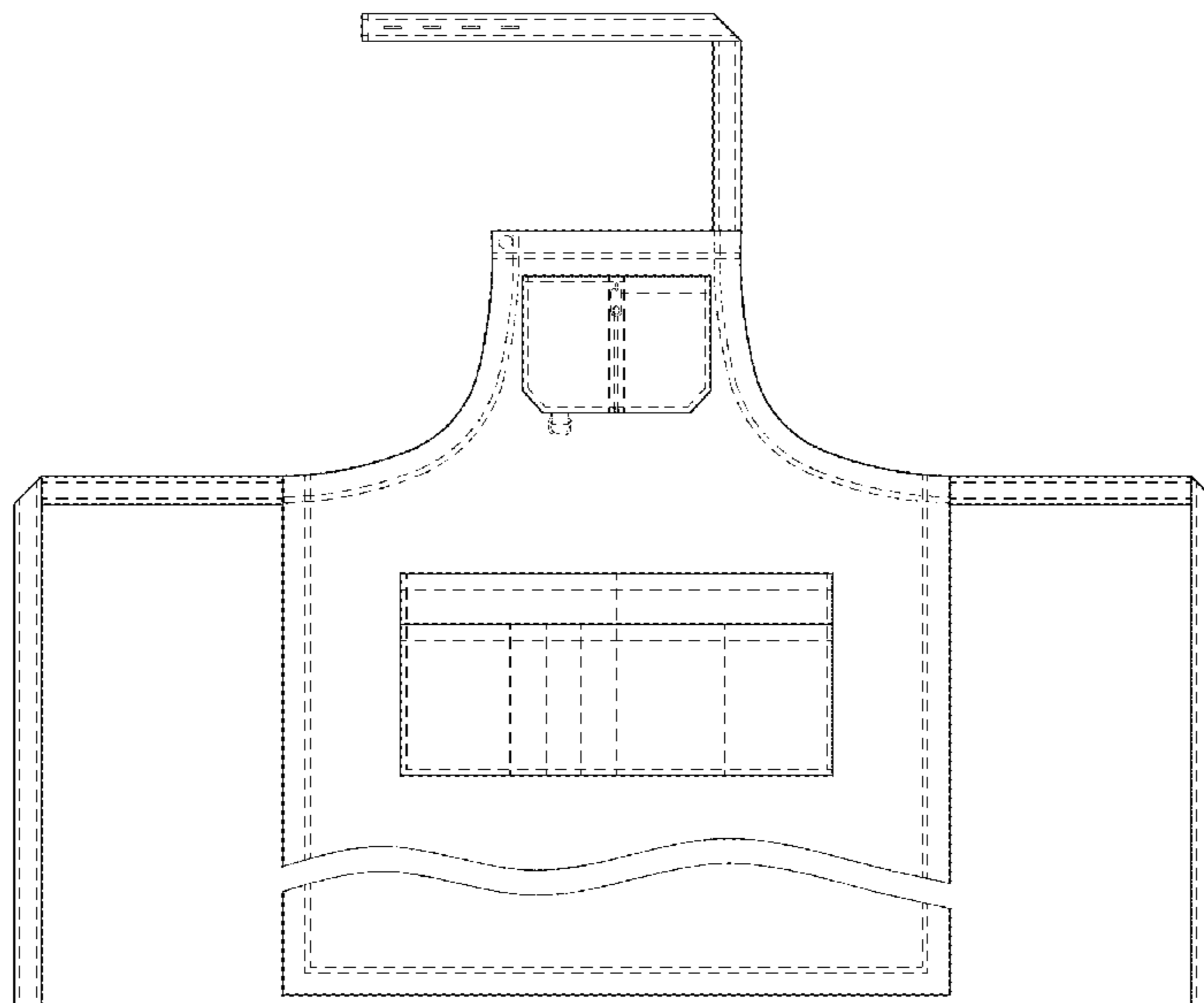
FIG. 3 is a front plan view of a second embodiment of the apron in accordance with my new design, with the straps of the apron being shown in an exemplary folded orientation, it being understood that each of the straps is linear when extended and laid flat; and,

FIG. 4 is a front view of the apron shown in FIG. 3, but in the state where it is shown worn on a mannequin.

The stippled stitching pattern along the periphery of the apron form part of the design. The remaining broken dashed lines in the various figures are directed to unclaimed portions of the apron and form no part of the claimed design. The broken dotted lines in the various figures are directed to a mannequin on which the apron is shown in a state like that when worn by a person. The mannequin does not form any part of the claimed design.

The apron is shown with a symbolic break in length. The appearance of any portion of the article between the break lines forms no part of the claimed design.

1 Claim, 4 Drawing Sheets



- (58) **Field of Classification Search**
 CPC A41D 13/04; A41D 13/043; A41D 13/046;
 A41D 13/11; A41D 31/30; A41B 13/106;
 A41B 13/10
 See application file for complete search history.

(56) **References Cited**

U.S. PATENT DOCUMENTS

2,755,480 A * 7/1956 Jones A41D 13/0012
 2/94
 2,846,685 A * 8/1958 Ehrich A41D 13/0012
 2/51
 2,964,755 A * 12/1960 Priebe A41D 13/04
 2/51
 4,060,853 A 12/1977 Gabarro
 D259,673 S * 6/1981 Ruszczyński D2/864
 D305,827 S * 2/1990 Flowers D2/864
 5,054,127 A 10/1991 Zevchak
 D364,726 S * 12/1995 Kose D2/860
 D461,945 S * 8/2002 Byrd D2/860
 6,561,814 B2 5/2003 Tilbury et al.
 D527,869 S * 9/2006 Knigge D2/860
 D581,137 S * 11/2008 Mathis D2/857
 7,541,922 B2 6/2009 Matsumoto et al.
 D598,182 S * 8/2009 Vossoughi D2/861
 D603,143 S * 11/2009 Walsh A41D 13/04
 D2/861
 D608,530 S * 1/2010 Williams D2/864
 D621,136 S * 8/2010 Williams A41D 13/04
 D2/864

D627,953 S * 11/2010 Sammon D2/864
 D691,783 S * 10/2013 Vifquain D2/864
 9,043,004 B2 5/2015 Casillas et al.
 9,086,215 B2 7/2015 Timmerberg
 9,402,429 B2 8/2016 Nordstrom
 D870,422 S * 12/2019 Bernstein D2/857
 D871,724 S * 1/2020 Stamps D2/861
 2001/0024949 A1 9/2001 Yanagida et al.
 2012/0060261 A1 3/2012 Raviv
 2012/0186000 A1 7/2012 Raviv
 2014/0270698 A1 9/2014 Luna et al.
 2016/0058079 A1 3/2016 Sexton
 2016/0100641 A1 4/2016 Payne
 2016/0128632 A1 5/2016 Wiebe et al.
 2016/0306940 A1 10/2016 Farhoud
 2017/0070078 A1 3/2017 Hwang et al.

OTHER PUBLICATIONS

Chen et al., "Wearable 2.0: Enabling Human-Cloud Integration in Next Generation Healthcare Systems", IEEE Communications Magazine, pp. 54-61 (2017).
 Shi et al., "Cloud-Assisted Mood Fatigue Detection System", Mobile Netw. Appl., vol. 21, pp. 744-752 (2016).
 Villar et al., "Validation of the Hexoskin wearable vest during lying, sitting, standing, and walking activities", Appl. Physiol. Nutr. Metab., vol. 40, pp. 1-6 (2015).
 English-language abstract of KR 101590557B1 (2015).

* cited by examiner

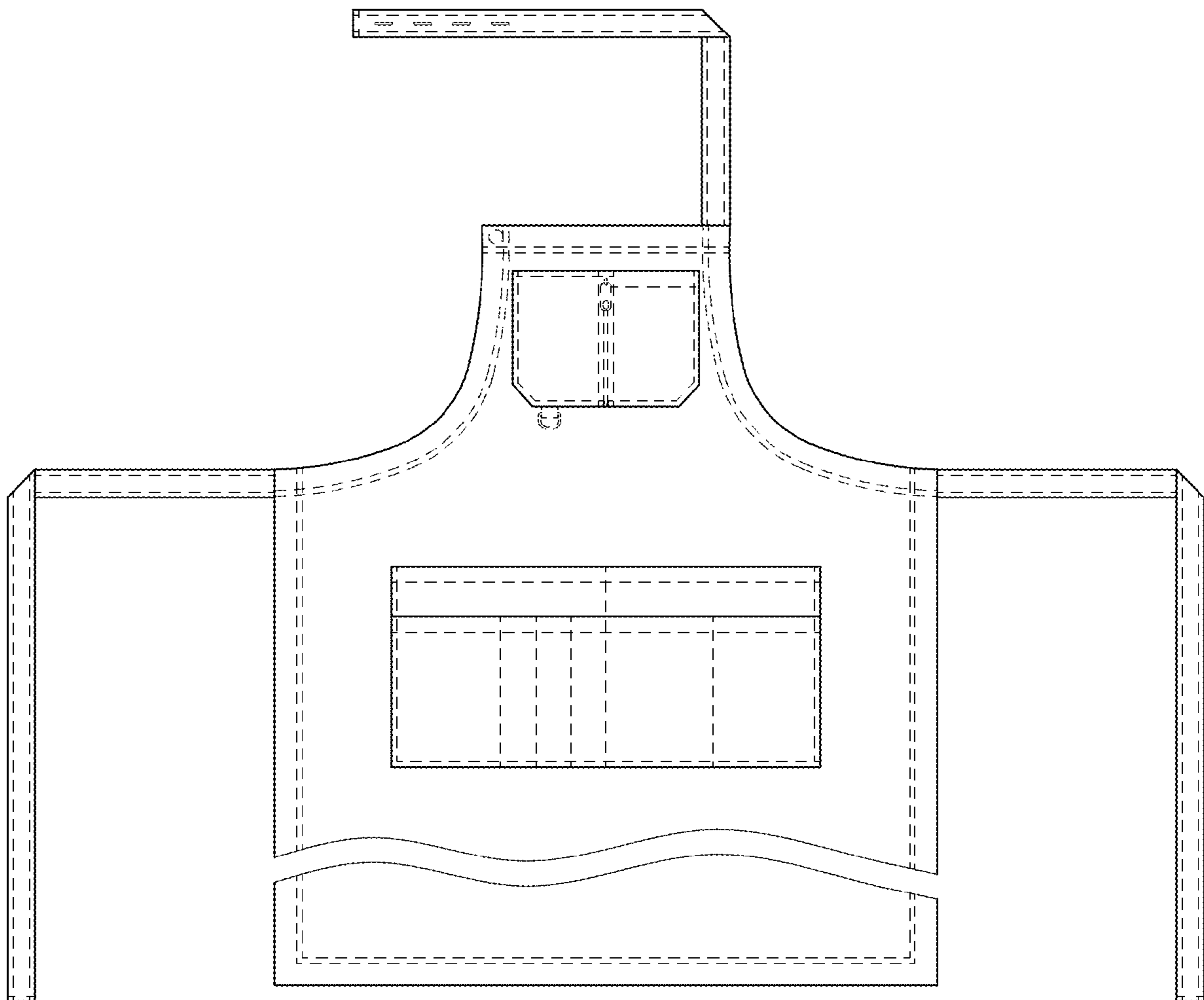


FIG. 1

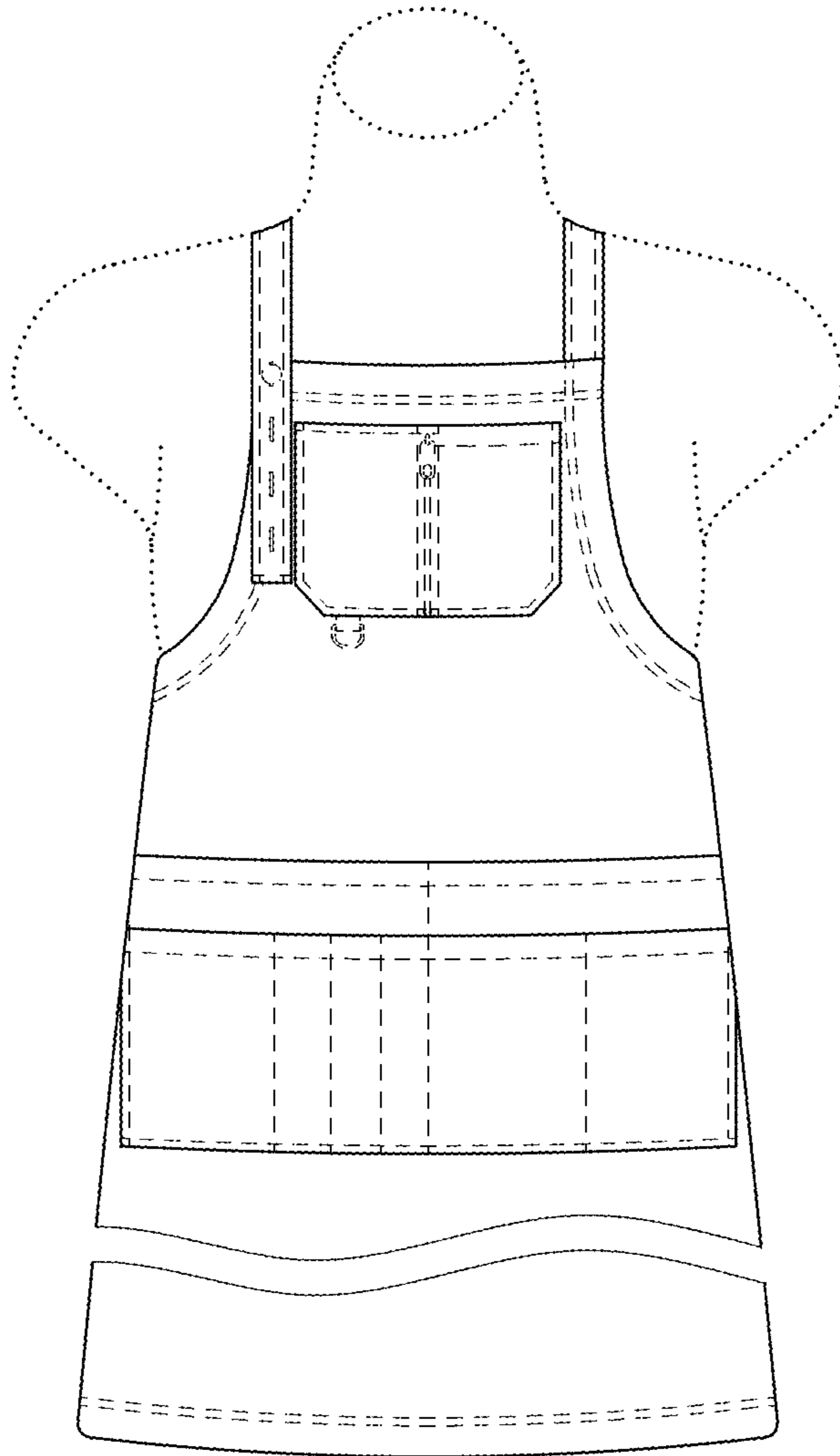


FIG. 2

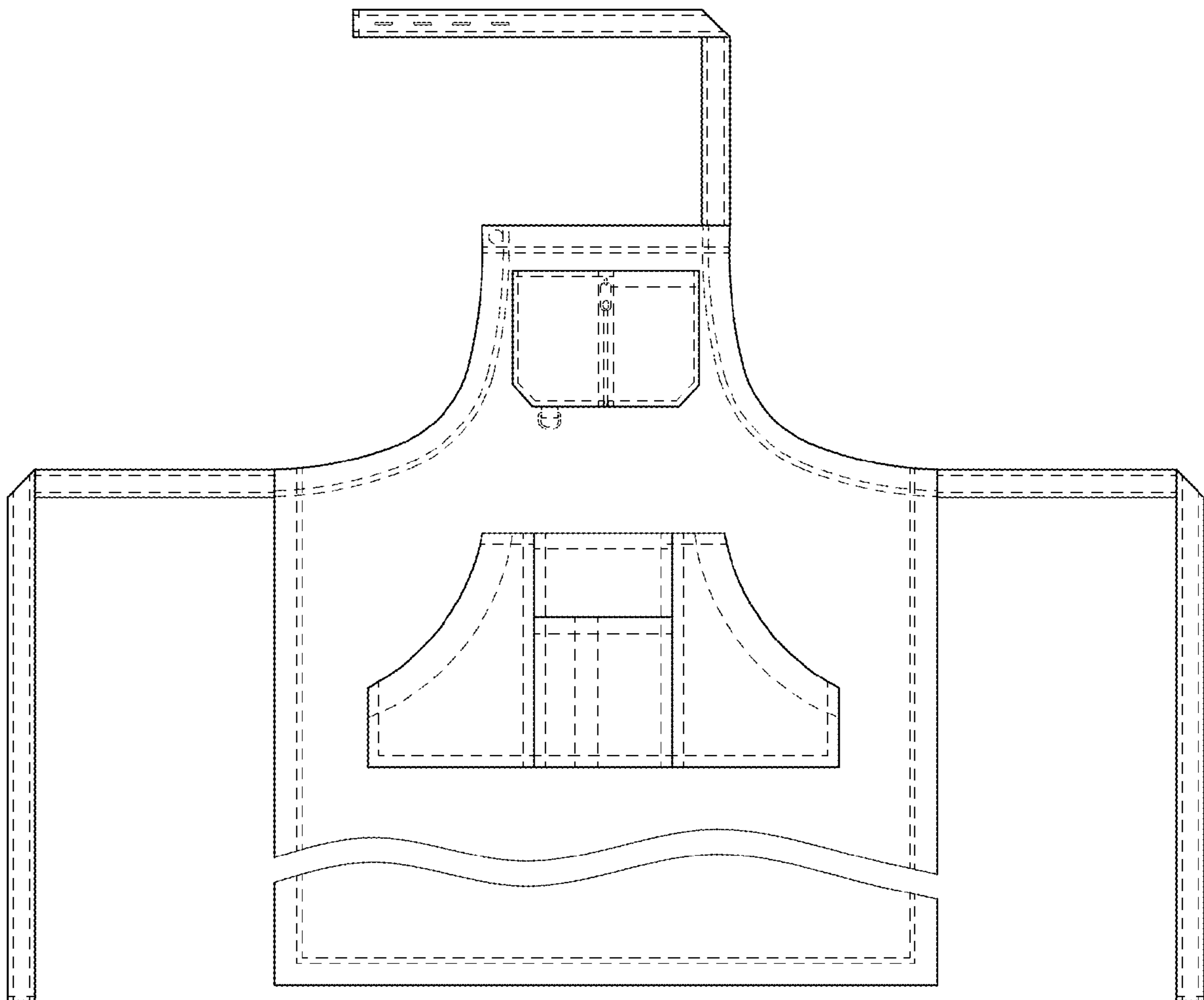


FIG. 3

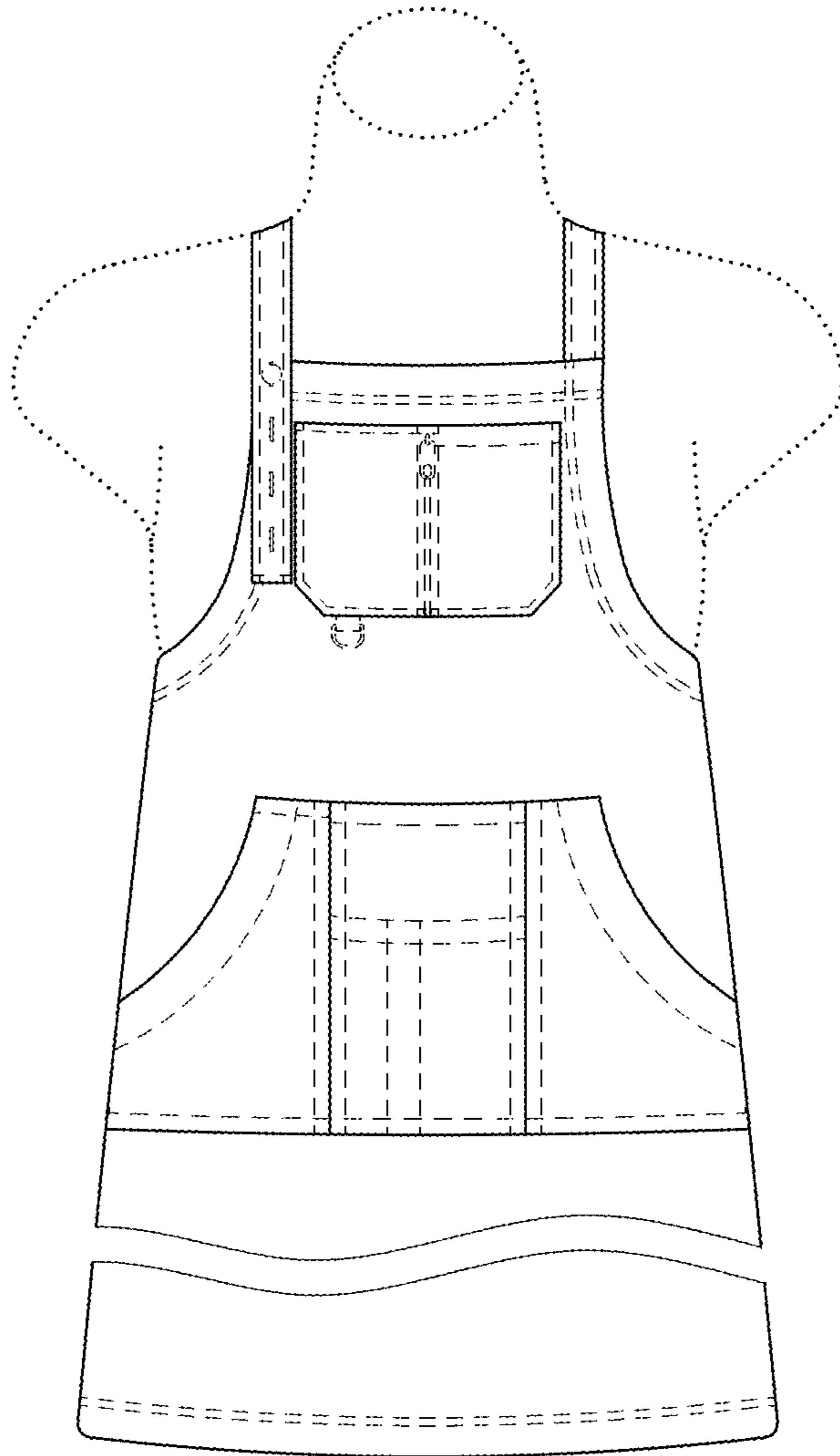


FIG. 4