



US00D945124S

(12) **United States Design Patent** (10) **Patent No.:** **US D945,124 S**
Yancey (45) **Date of Patent:** **** Mar. 8, 2022**

(54) **SHIRT WITH A CENTERED POCKET**

(71) Applicant: **Kirk Yancey**, Capitol Heights, MD
(US)

(72) Inventor: **Kirk Yancey**, Capitol Heights, MD
(US)

(**) Term: **15 Years**

(21) Appl. No.: **29/652,388**

(22) Filed: **Jul. 30, 2020**

(51) **LOC (13) Cl.** **02-02**

(52) **U.S. Cl.**
USPC **D2/857**

(58) **Field of Classification Search**
USPC D2/857, 840, 853, 720, 717
CPC A41D 27/20; A41D 27/08
See application file for complete search history.

(56) **References Cited**

U.S. PATENT DOCUMENTS

- 1,982,100 A * 11/1934 Heile A41D 27/20
2/253
- 4,062,064 A * 12/1977 Vosatka A41D 27/202
2/252
- 4,718,124 A * 1/1988 Sawicki A41D 13/129
2/114
- D294,651 S * 3/1988 Ferre D2/742
- 4,825,471 A * 5/1989 Jennings A41D 1/002
2/115
- 4,924,613 A * 5/1990 Levin A41D 27/08
2/247
- 5,621,914 A * 4/1997 Ramone A41D 13/015
2/115
- D396,135 S * 7/1998 Wardle D2/853
- 5,794,263 A * 8/1998 Carman A41D 13/001
2/202
- D518,275 S * 4/2006 Hurt D2/717
- D543,337 S * 5/2007 Wardle D2/857
- D574,126 S * 8/2008 McCray D2/720

- D579,178 S * 10/2008 Snyder D2/840
- D584,882 S * 1/2009 Trouillot D2/720
- D596,829 S * 7/2009 Miller D2/717
- D597,731 S * 8/2009 Accardi D2/717
- D600,879 S * 9/2009 Accardi D2/717
- D633,692 S * 3/2011 Lawrence D2/831
- 7,992,225 B2 * 8/2011 Demus A41D 27/205
2/247
- D655,478 S * 3/2012 McCollum D2/829

(Continued)

FOREIGN PATENT DOCUMENTS

JP 3111907 * 6/2005

Primary Examiner — Kevin K Rudzinski
(74) *Attorney, Agent, or Firm* — Dunlap Bennett & Ludwig, PLLC

(57) **CLAIM**

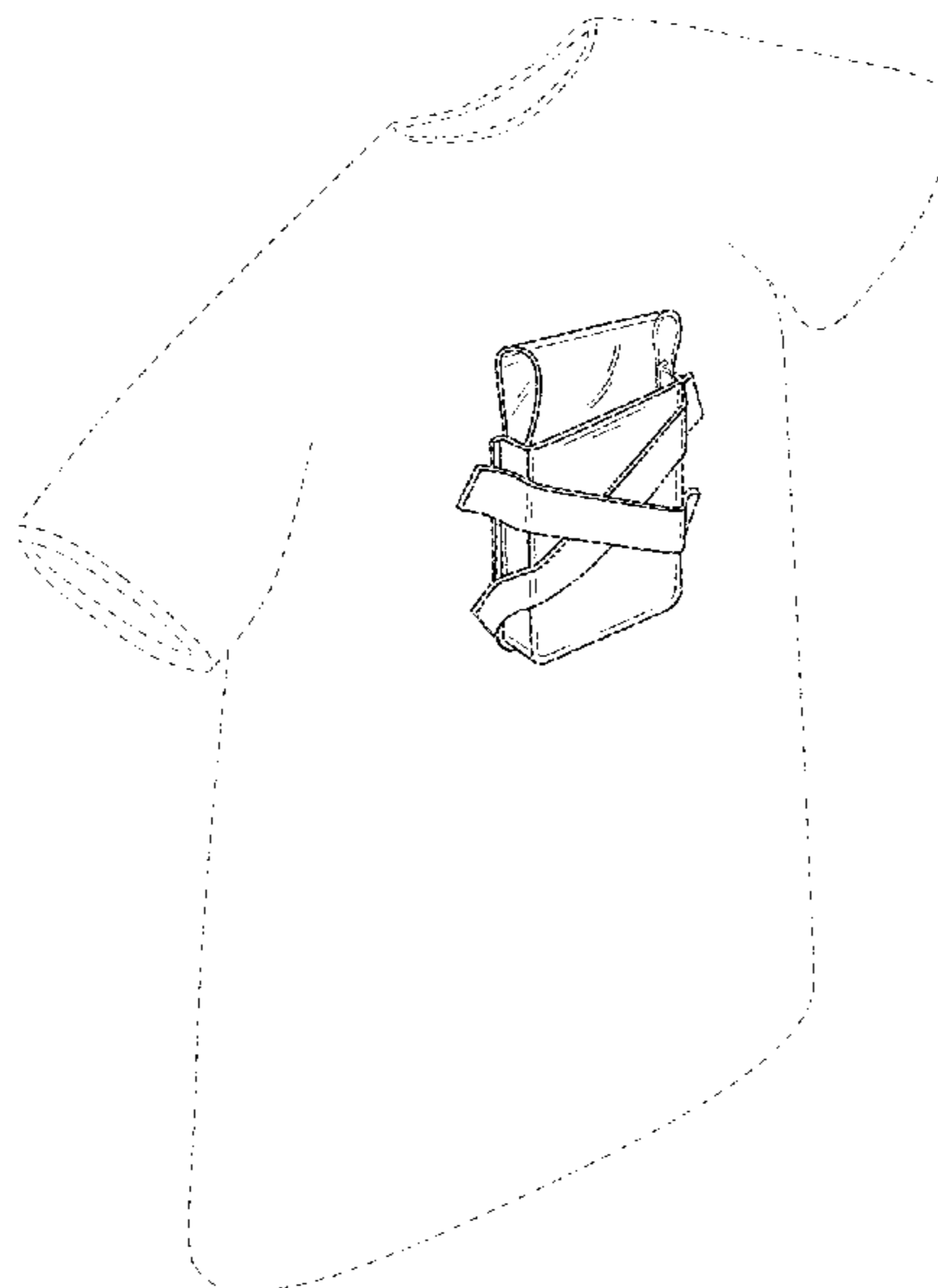
The ornamental design for a shirt with a centered pocket, as shown and described.

DESCRIPTION

FIG. 1 is a front perspective view of the shirt with centered pocket, showing my new design;
 FIG. 2 is a front elevation view thereof;
 FIG. 3 is a rear elevation view thereof;
 FIG. 4 is a left side elevation view thereof;
 FIG. 5 is a right side elevation view thereof;
 FIG. 6 is a top plan view thereof;
 FIG. 7 is bottom plan view thereof; and,
 FIG. 8 is another front perspective view thereof, showing the new design in use.

The broken lines shown in the drawings depict a smart-phone, which is to show a possible use of the pocket only, and forms no part of the claimed design. Broken lines shown in the drawing also illustrate portions of a shirt that form no part of the claimed invention and are only shown to provide context to the centered pocket's location on a shirt.

1 Claim, 6 Drawing Sheets



(56)

References Cited

U.S. PATENT DOCUMENTS

D656,710 S *	4/2012	Farris	D2/720	D920,633 S *	6/2021	Mahoney	D2/857
D690,086 S *	9/2013	Estes	D2/840	11,044,955 B2 *	6/2021	Williams	A41D 13/012
8,549,670 B2 *	10/2013	Demus	A41D 27/205	D923,915 S *	7/2021	Speck	D2/739
			2/247	2005/0246823 A1 *	11/2005	Groom	A41D 27/20
D707,919 S *	7/2014	Lockwood	D2/720				2/247
D712,633 S *	9/2014	Davis	D2/857	2007/0180596 A1 *	8/2007	Shelton	A41D 27/207
D742,624 S *	11/2015	Meyers	D2/857				2/113
9,271,533 B2 *	3/2016	Kochling	A41D 27/205	2008/0032600 A1 *	2/2008	Updyke	A41C 3/0057
D753,902 S *	4/2016	Niles	D2/840				450/89
D764,147 S *	8/2016	Zhou	D2/829	2011/0058705 A1 *	3/2011	Lee	A41D 1/005
D774,278 S *	12/2016	Amato	D2/717				381/388
9,648,918 B2 *	5/2017	Grady	A45F 5/022	2011/0214219 A1 *	9/2011	Miller	A41D 27/20
D811,699 S *	3/2018	Robinson	D2/840				2/115
D819,301 S *	6/2018	Smith	D2/840	2012/0186000 A1 *	7/2012	Raviv	A41B 1/00
D861,289 S *	10/2019	Ngan	D2/719				2/247
D899,145 S *	10/2020	Ngan	D6/603	2015/0096098 A1 *	4/2015	Zastocki	A41D 27/08
10,798,977 B1 *	10/2020	Ransom	F41C 33/048				2/69
				2018/0047470 A1 *	2/2018	Easley	A41D 27/201

* cited by examiner

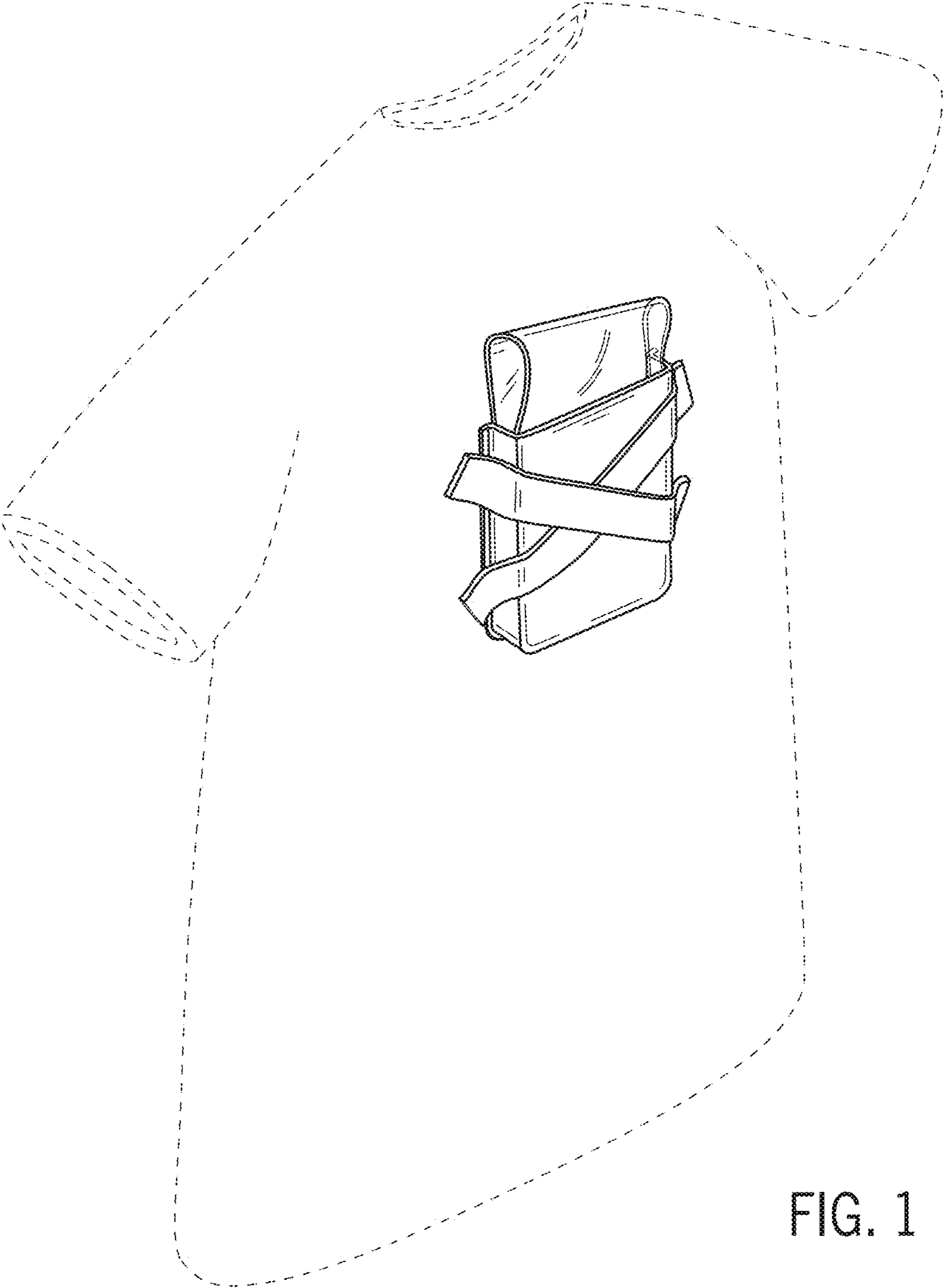


FIG. 1

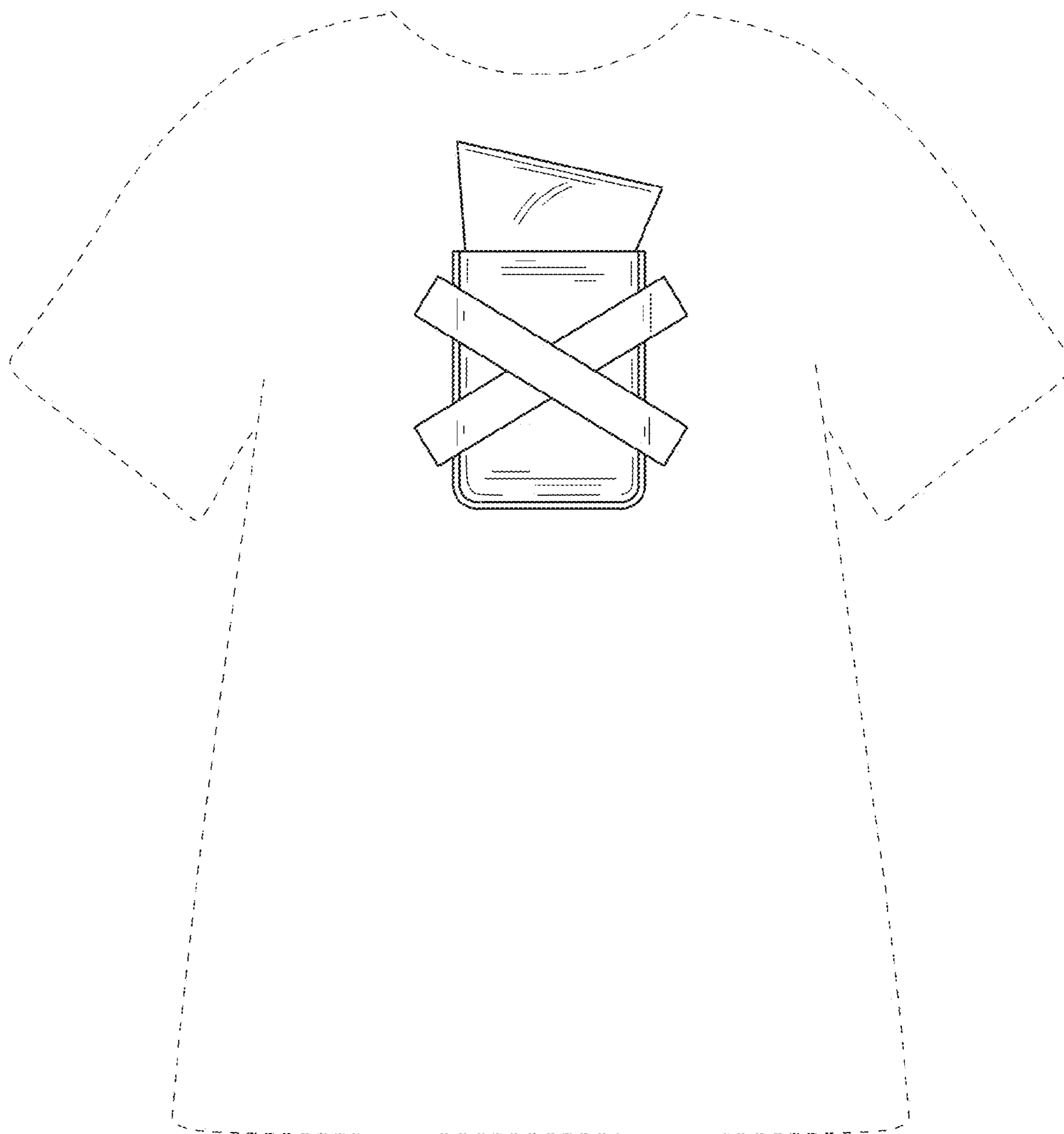


FIG. 2

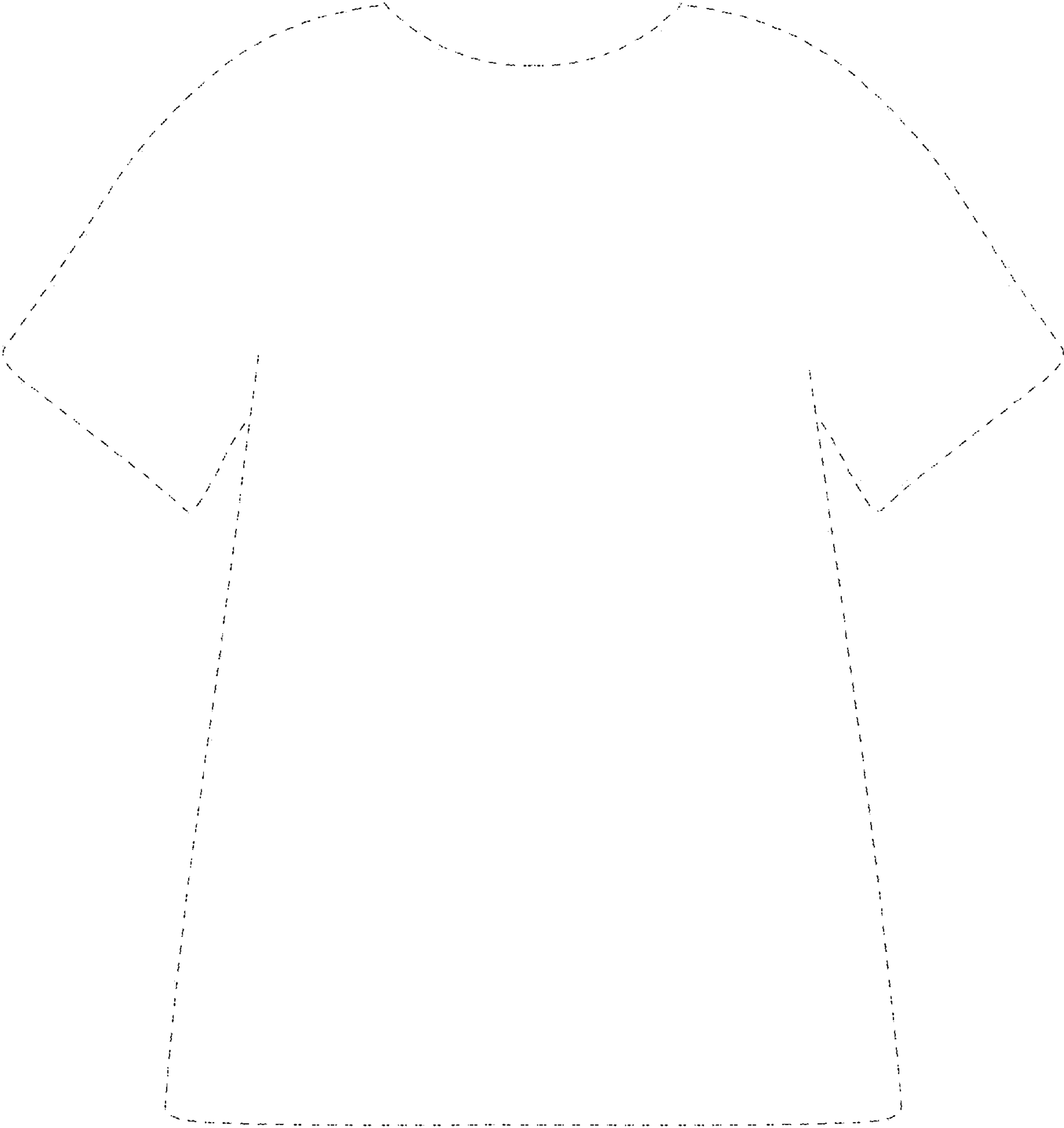


FIG. 3

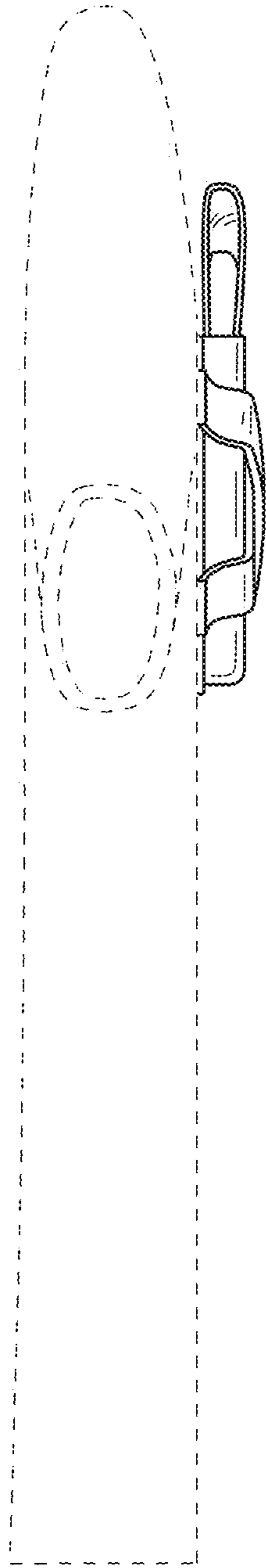


FIG. 4

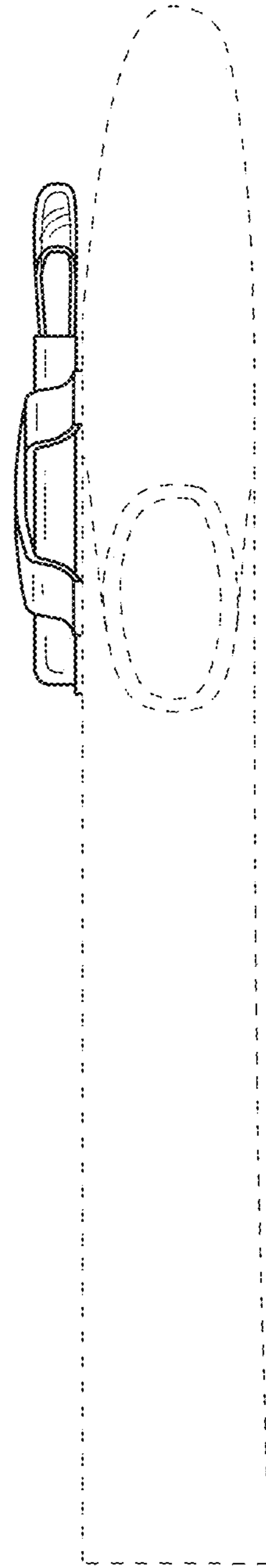


FIG. 5

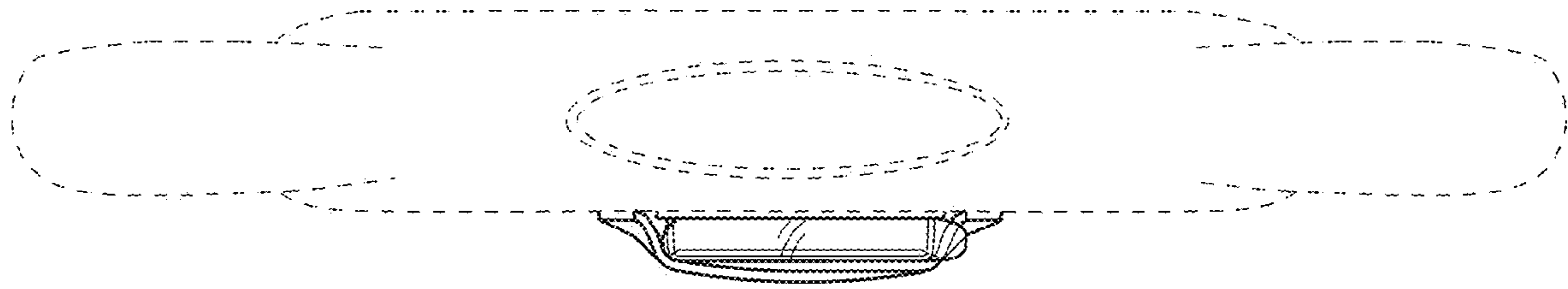


FIG. 6

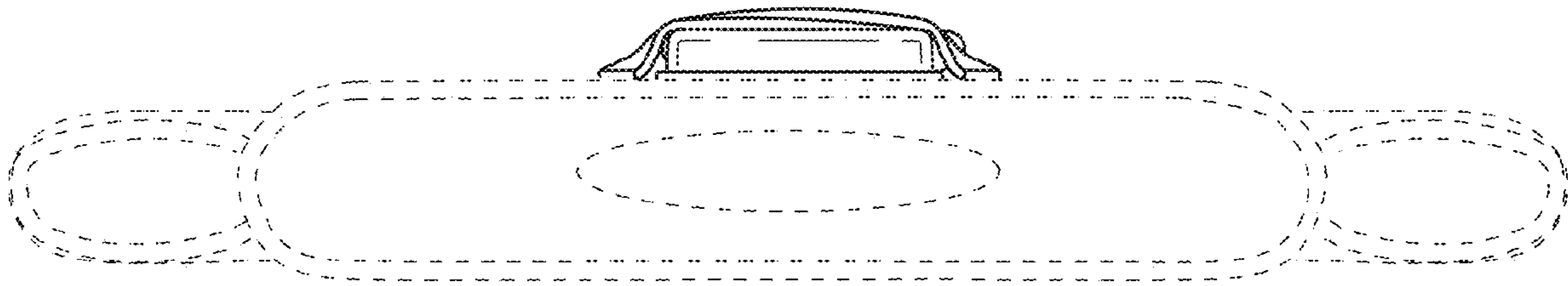


FIG. 7

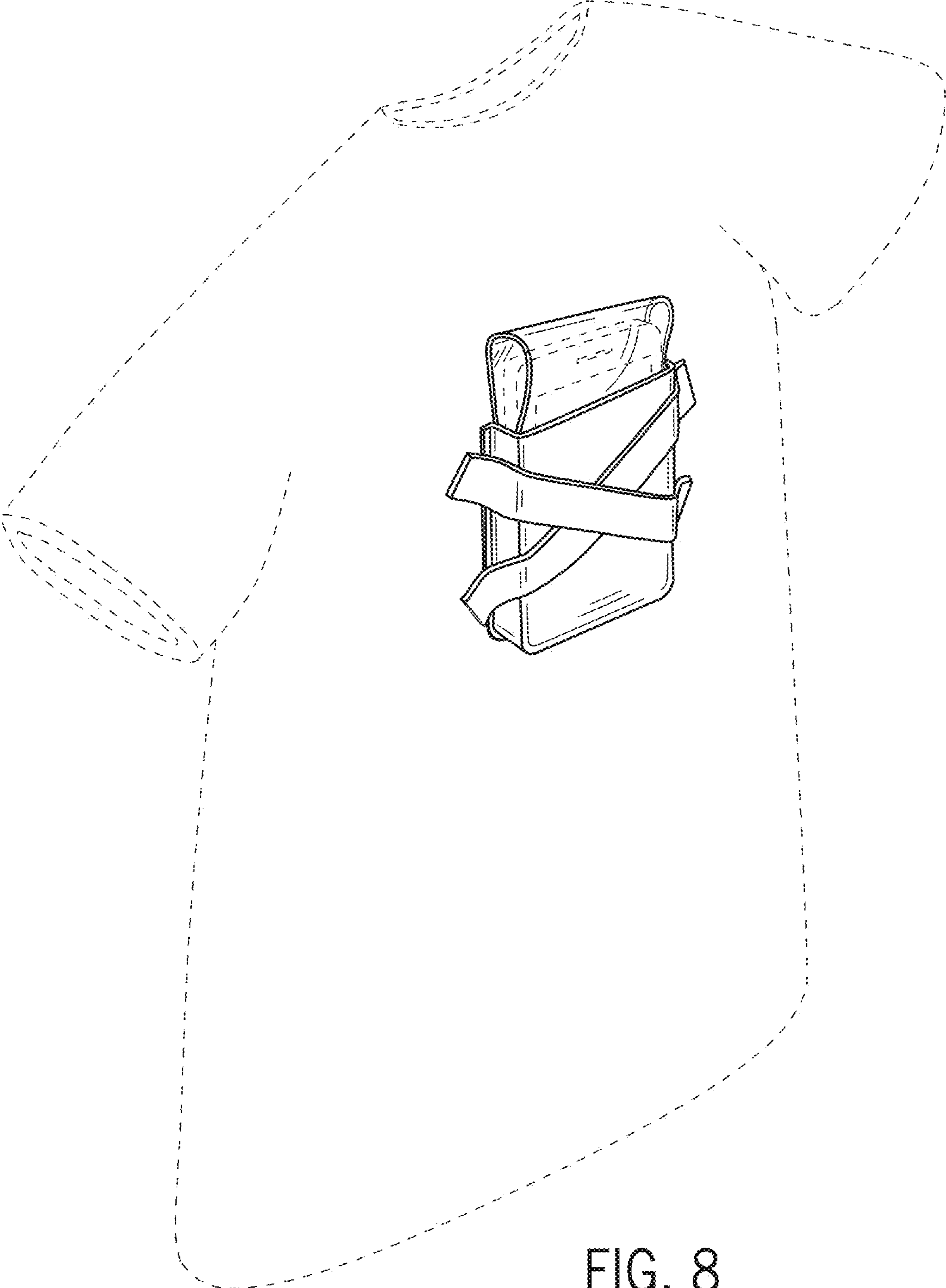


FIG. 8