



US00D945118S

(12) **United States Design Patent** (10) **Patent No.:** **US D945,118 S**
Sasaki (45) **Date of Patent:** **** Mar. 8, 2022**

(54) **CLOTHING WITH COLLAR**

(56) **References Cited**

(71) Applicant: **Beji Sasaki**, Tokyo (JP)

U.S. PATENT DOCUMENTS

(72) Inventor: **Beji Sasaki**, Tokyo (JP)

D28,439 S * 3/1898 Lockwood D2/860
805,259 A * 11/1905 Brown A41D 1/04
2/90

(**) Term: **15 Years**

D109,581 S * 5/1938 Harris D2/797

(21) Appl. No.: **29/769,825**

D122,448 S * 9/1940 Rentner D2/797

(22) Filed: **Feb. 8, 2021**

D129,195 S * 8/1941 Weiser D2/726

D136,805 S * 12/1943 Richman D2/726

D157,214 S * 2/1950 Taradash D2/727

D164,879 S * 10/1951 Roth D2/797

Related U.S. Application Data

D708,426 S * 7/2014 Simons D2/804

(62) Division of application No. 29/640,612, filed on Mar. 15, 2018, now Pat. No. Des. 917,128.

D793,651 S * 8/2017 Jascomb D2/602

D824,135 S * 7/2018 Gvasalia D2/602

D917,128 S * 4/2021 Sasaki D2/728

10,980,290 B2 * 4/2021 Sasaki A41D 13/12

(30) **Foreign Application Priority Data**

* cited by examiner

Sep. 19, 2017 (JP) 2017-20390

Primary Examiner — Jasmine Mlinarcik

Sep. 19, 2017 (JP) 2017-20393

(74) *Attorney, Agent, or Firm* — Ladas & Parry, LLP

Dec. 22, 2017 (JP) 2017-28760

(51) **LOC (13) Cl.** **02-02**

(57) **CLAIM**

(52) **U.S. Cl.**

I claim the ornamental design for a clothing with collar, as shown and described.

USPC **D2/728; D2/602**

(58) **Field of Classification Search**

DESCRIPTION

USPC D2/500, 501, 502, 503, 508, 600, 601, 602, 603, 604, 605, 608, 609, 802, 823, 826, 827, 840, 842, 853, 854, 858, 724, 725, 726, 727, 728, 739, 749, 750, 754, 755, 756, 779, 780, 781, 782, 797, 798, 799, 800, 801, 803, 804, 805, 806, 807, 808, 814, 829, 831, 834

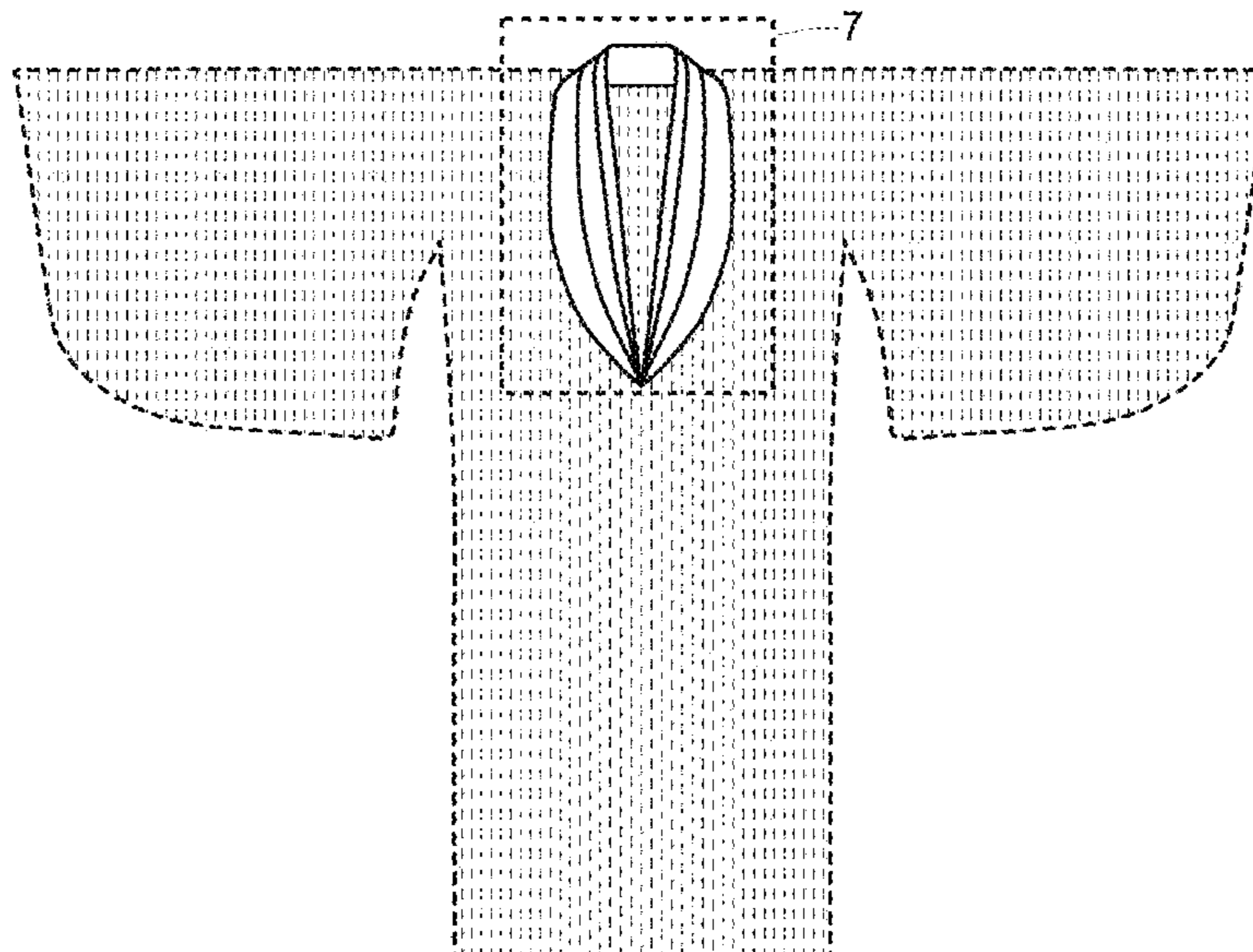
FIG. 1 is a front view of a first embodiment of a clothing with collar in accordance with the design;
FIG. 2 is a rear view of the design thereof;
FIG. 3 is a left side view of the design thereof;
FIG. 4 is a right side view of the design thereof;
FIG. 5 is a top plan view of the design thereof;
FIG. 6 is an underside plan view of the design thereof; and,
FIG. 7 is an enlarged partial view of the area labeled "7" shown in FIG. 1.

CPC A41B 1/00; A41B 1/08; A41B 1/12; A41B 1/14; A41B 1/16; A41B 3/00; A41B 3/005; A41B 3/02; A41B 3/06; A41B 3/14; A41B 3/16; A41D 23/00; A41D 2023/002; A41D 2023/004; A41D 25/00; A41D 25/001; A41D 25/005; A41D 27/16; A41D 27/18

The broken lines depict portions of the clothing with collar that form no part of the claimed design.

See application file for complete search history.

1 Claim, 5 Drawing Sheets



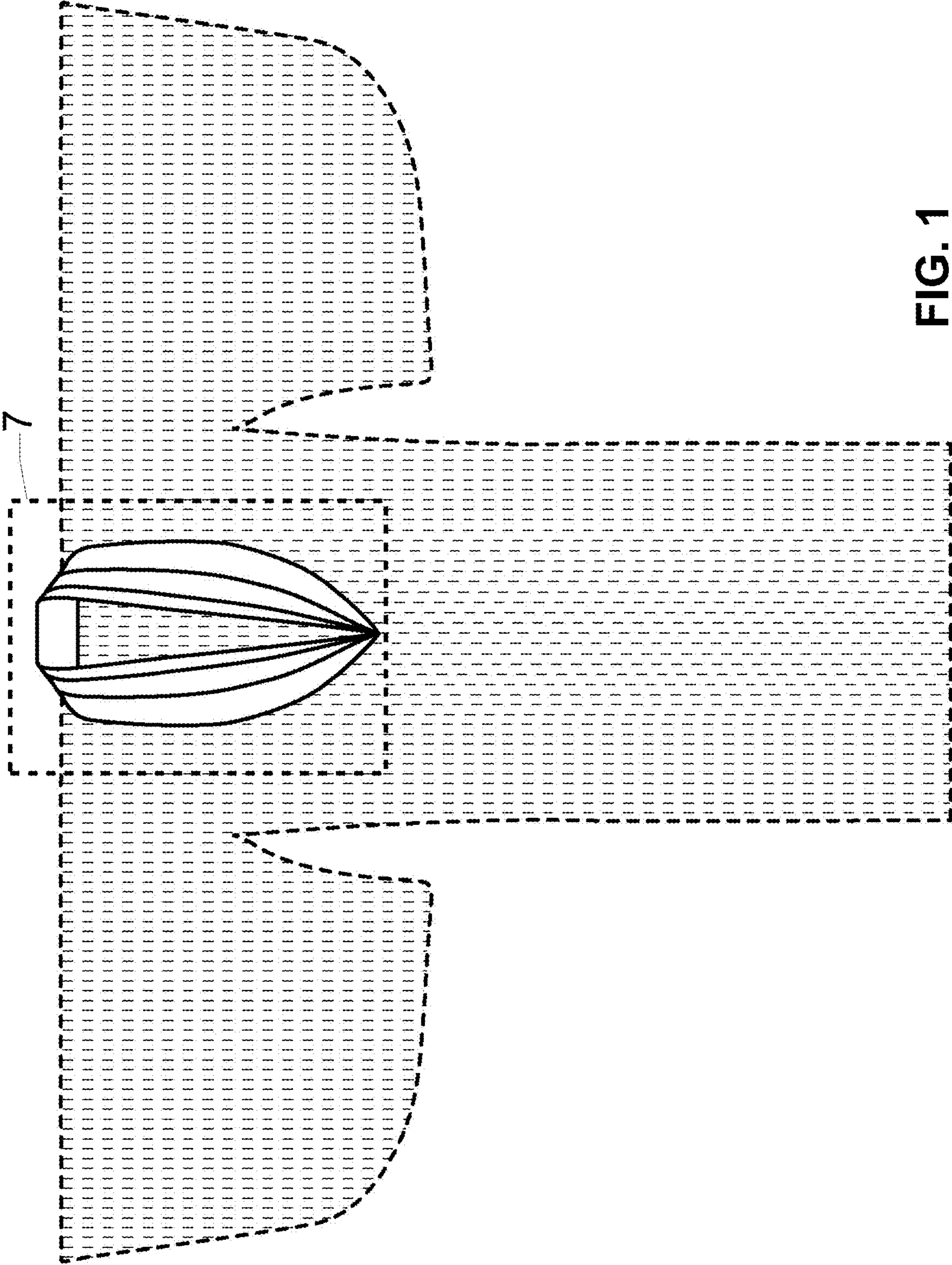


FIG. 1

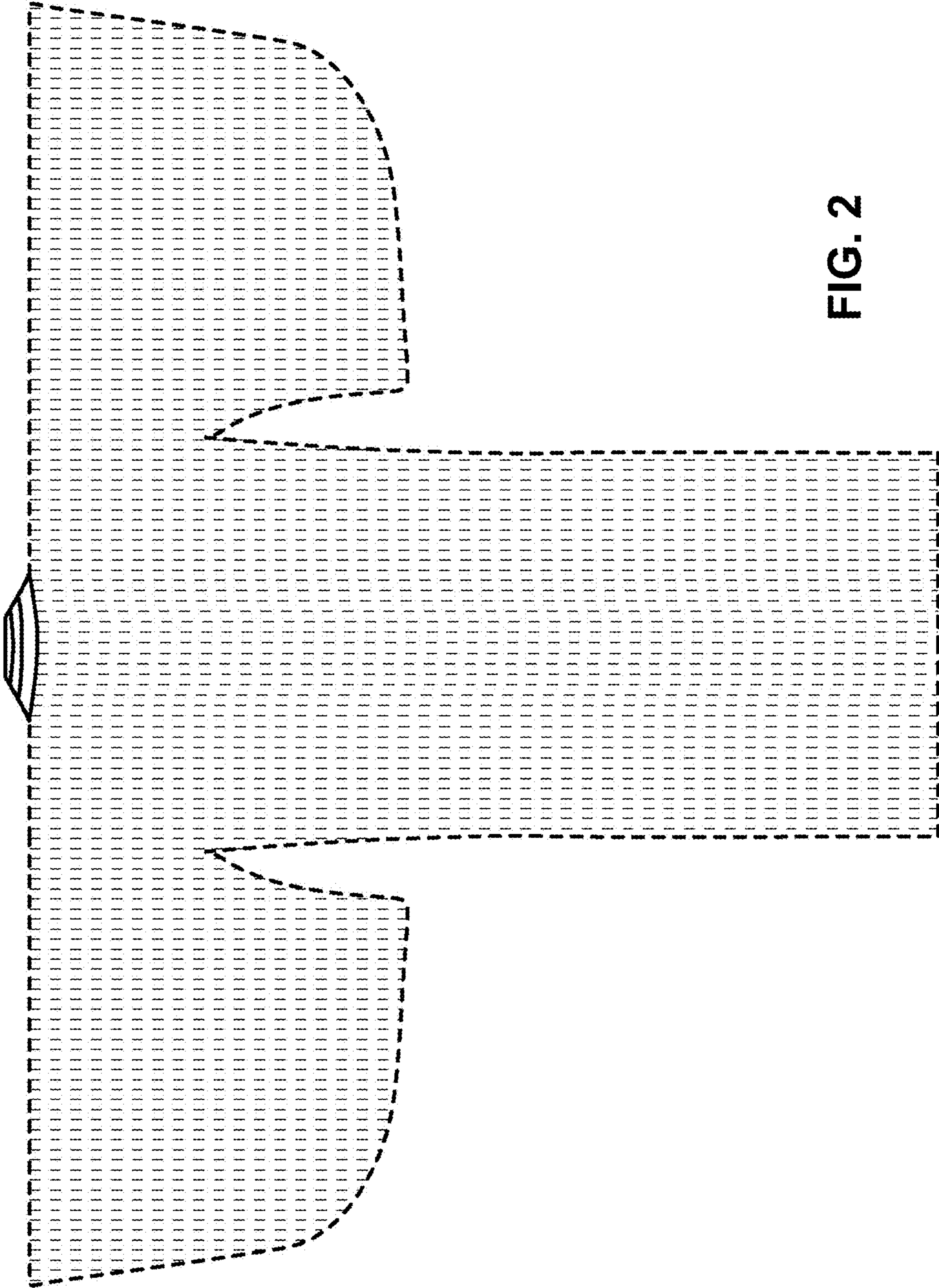


FIG. 2

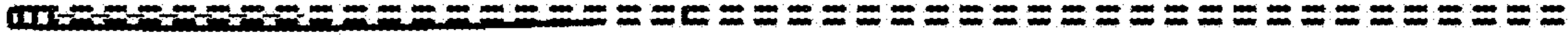


FIG. 4

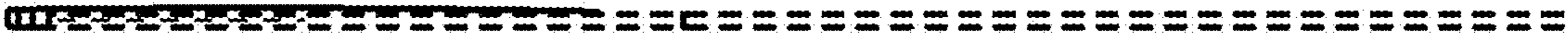


FIG. 3



FIG. 5



FIG. 6

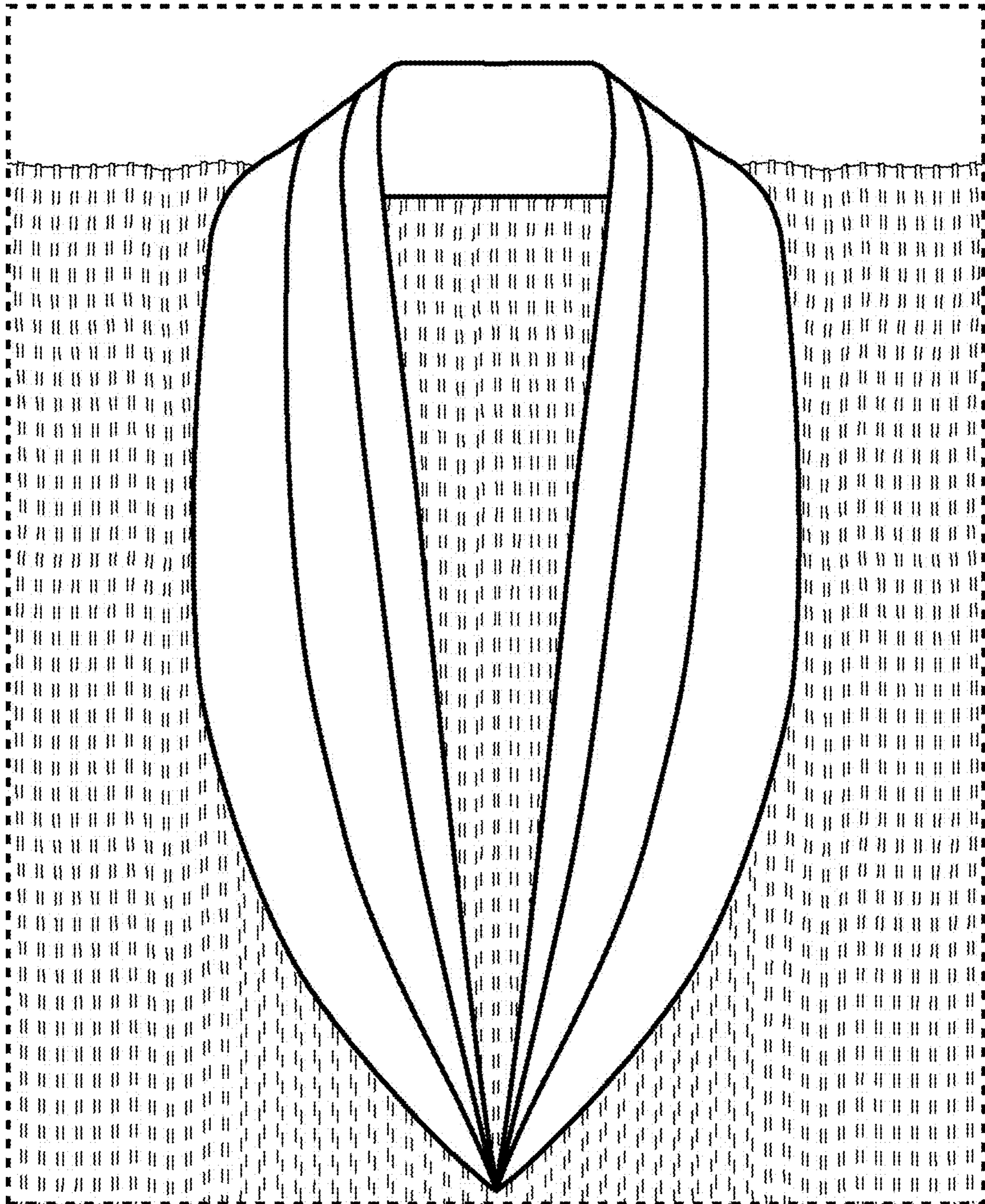


FIG. 7