



US00D945115S

(12) **United States Design Patent** (10) **Patent No.:** **US D945,115 S**
Arnold (45) **Date of Patent:** **** Mar. 8, 2022**

(54) **TEE SHIRT**

(71) Applicant: **Tamiko Jean Arnold**, Madison, MS (US)

(72) Inventor: **Tamiko Jean Arnold**, Madison, MS (US)

(73) Assignee: **21 Jewels LLC**

(**) Term: **15 Years**

(21) Appl. No.: **29/774,032**

(22) Filed: **Mar. 12, 2021**

(51) **LOC (13) Cl.** **02-02**

(52) **U.S. Cl.**
USPC **D2/717**

(58) **Field of Classification Search**
USPC D2/847, 840, 720, 717, 828, 739
CPC A41D 13/00; A41D 13/12
See application file for complete search history.

(56) **References Cited**

U.S. PATENT DOCUMENTS

1,089,353	A *	3/1914	Wells	A41D 1/02 2/93
1,489,046	A *	4/1924	Thompson	A41B 9/08 2/114
D109,570	S	5/1938	Solomon		
D159,156	S	6/1950	Kelly		
2,973,523	A *	3/1961	Brainard	A41B 13/00 2/46
3,720,957	A *	3/1973	Patience	A41D 13/1236 2/114
D236,293	S *	8/1975	Banks	D2/860
D240,772	S *	8/1976	Williams	D2/828
D266,625	S	10/1982	Herman		
D269,221	S	6/1983	Portwood		
D271,154	S	11/1983	Dowling		
4,472,835	A *	9/1984	Clark	A41D 13/00 2/102
4,612,673	A *	9/1986	Underhill	A41D 13/1236 2/114

(Continued)

OTHER PUBLICATIONS

Women's Coolmax Short Sleeve Zip Front Solid Scrub Jacket by Eon, posted to allheart.com. Available date: Mar. 21, 2018 [site visited Nov. 12, 2021] Available: <https://www.allheart.com/eon/eon/womens/womens-coolmax-short-sleeve-zip-front-solid-scrub-jacket/mv-8728---blkmed.html?s=MED&c=BLK&gclid=EAAlQobChEAlalQobChMltlzboMqT9AIVKwalCR2vEQelEAKYBCABEgJvZfD_BwE> (Year: 2018).*

Primary Examiner — Kevin K Rudzinski
(74) *Attorney, Agent, or Firm* — Quickpatents, LLC; Kevin Prince

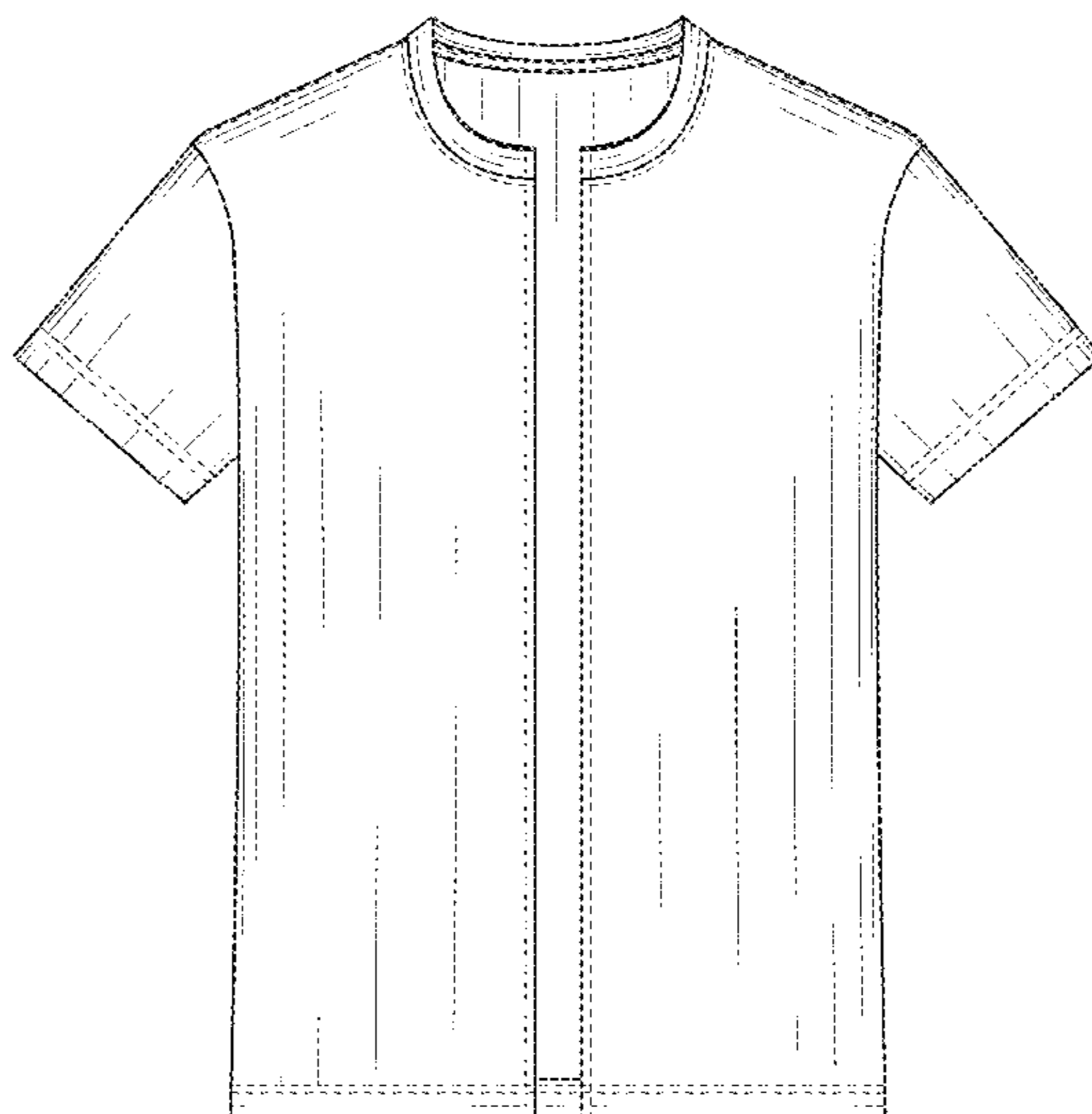
(57) **CLAIM**

The ornamental design for a tee shirt, as shown and described.

DESCRIPTION

FIG. 1 is a perspective view of a tee shirt, showing a first embodiment of my new design;
FIG. 2 is a front elevational view of FIG. 1;
FIG. 3 is a rear elevational view of FIG. 1;
FIG. 4 is a right-side elevational view of FIG. 1, the left-side elevational view being a mirror image thereof;
FIG. 5 is a top plan view of FIG. 1;
FIG. 6 is a bottom plan view of FIG. 1;
FIG. 7 is a perspective view of a second embodiment thereof;
FIG. 8 is a front elevational view of FIG. 7;
FIG. 9 is a rear elevational view of FIG. 7;
FIG. 10 is a right-side elevational view of FIG. 7, the left-side elevational view being a mirror image thereof;
FIG. 11 is a top plan view of FIG. 7; and,
FIG. 12 is a bottom plan view of FIG. 7.
The broken lines showing a person in FIGS. 1 and 7 depict environmental matter and form no part of the claimed design. The remaining broken lines represent stitching, and are part of the claimed design.

1 Claim, 10 Drawing Sheets



(56)

References Cited

U.S. PATENT DOCUMENTS

D302,347 S 7/1989 Rodriguez, Jr
 5,182,813 A 2/1993 Booze
 5,222,258 A * 6/1993 Mucci A41F 1/00
 2/101
 D341,471 S * 11/1993 Cross D2/717
 5,383,235 A * 1/1995 Peters A41D 13/0015
 2/115
 5,938,874 A * 8/1999 Palomo B29C 44/505
 156/73.1
 D414,015 S 9/1999 Small
 D421,329 S 3/2000 Adams
 D422,396 S 4/2000 Weir
 D435,329 S 12/2000 Stewart
 D438,365 S 3/2001 Matrasingh
 6,237,153 B1 * 5/2001 Bowens A41D 13/1236
 2/114
 6,295,654 B1 * 10/2001 Farrell A41D 13/0153
 2/456
 6,314,580 B1 * 11/2001 Greenberg A41D 13/1245
 2/108
 6,799,331 B2 * 10/2004 Griesbach, III ... A41D 13/1209
 2/69
 D505,768 S 6/2005 Dallas
 D510,795 S * 10/2005 Yuter D2/847
 D514,279 S 2/2006 Lindquist
 D530,060 S * 10/2006 Quintero D2/861
 D530,885 S 10/2006 Barthel
 D548,400 S * 8/2007 Boord D29/101.1
 D548,891 S * 8/2007 Boord D29/101.1
 D560,879 S 2/2008 Hines
 D571,079 S * 6/2008 Gay D2/717
 D580,632 S 11/2008 Adams
 D580,633 S 11/2008 Cross
 D581,136 S 11/2008 Cross
 D612,126 S * 3/2010 Milgrom D2/720
 D625,898 S 10/2010 Borstelmann
 D626,720 S 11/2010 Pinkhasov
 D635,739 S 4/2011 Toms
 D644,004 S 8/2011 Nunn
 D647,688 S * 11/2011 Hilgart D2/720
 D649,748 S 12/2011 Maxwell, Sr.
 D655,891 S 3/2012 Maldonado
 D657,939 S 4/2012 Mathews
 D661,054 S 6/2012 Minamijima

D661,467 S 6/2012 Whitefield
 D663,925 S 7/2012 Greenblat
 D684,750 S * 6/2013 Kayat D2/830
 D696,489 S 12/2013 Dubiski
 D698,530 S 2/2014 Levering
 D710,072 S * 8/2014 Knight D2/862
 D721,870 S * 2/2015 Levine D2/720
 D722,217 S * 2/2015 Quiban D2/717
 D724,292 S 3/2015 Amarasiriwardena
 D731,153 S 6/2015 Bien
 D733,998 S * 7/2015 Kaminski D2/739
 D736,498 S * 8/2015 Yadrich D2/840
 D749,821 S * 2/2016 McClora D2/828
 D752,318 S * 3/2016 Powell D2/720
 D764,145 S * 8/2016 Mathews D2/828
 D772,536 S 11/2016 Huinker
 D773,150 S 12/2016 Hackenberg
 D776,402 S 1/2017 Miller
 D783,230 S * 4/2017 Darmour D2/731
 D789,658 S 6/2017 Curtis
 D790,811 S 7/2017 Jackson
 D797,409 S * 9/2017 Yadrich D2/840
 D815,803 S 4/2018 Stokes
 D816,292 S 5/2018 Feodoroff
 D816,301 S * 5/2018 Notarianni D2/840
 D833,116 S * 11/2018 Rapp D2/828
 D834,787 S * 12/2018 Picot D2/840
 D842,587 S * 3/2019 Pumphrey D2/739
 D848,120 S 5/2019 Holmes
 D849,368 S 5/2019 Ellis
 D857,336 S 8/2019 Calucci
 D863,727 S 10/2019 Pasko
 D874,792 S 2/2020 Richards
 D878,008 S 3/2020 Mosley
 D882,212 S 4/2020 Scogin
 D901,841 S 11/2020 Johnson
 D902,529 S 11/2020 Mariscal
 D903,983 S 12/2020 Ingram
 D913,633 S * 3/2021 Yadrich D2/717
 D920,629 S * 6/2021 Randall A41D 27/24
 D2/720
 2005/0097659 A1 * 5/2005 Aroch A41D 13/1209
 2/456
 2005/0193460 A1 * 9/2005 Moore A41D 15/00
 2/53
 2019/0216231 A1 * 7/2019 Perez Sanchez A41D 1/04

* cited by examiner

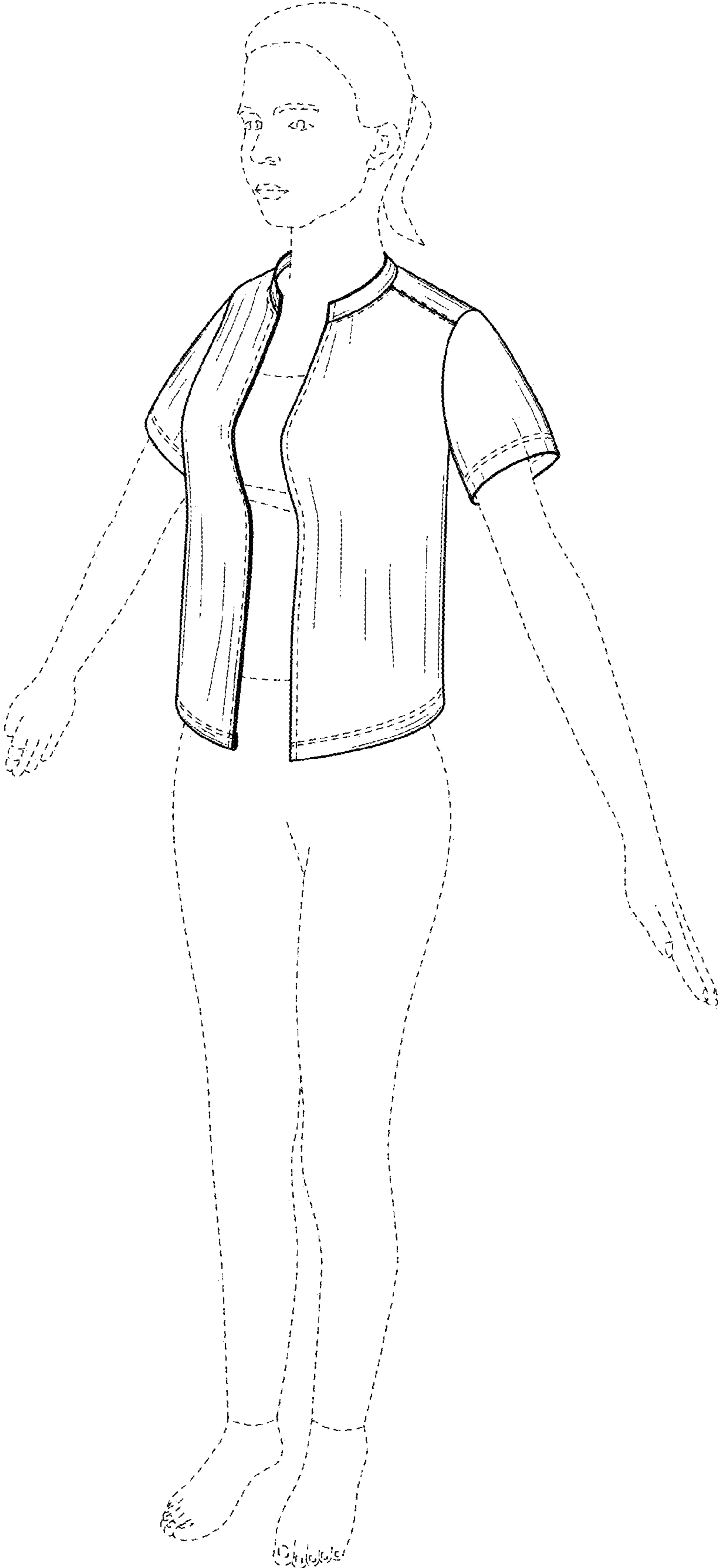


FIG. 1

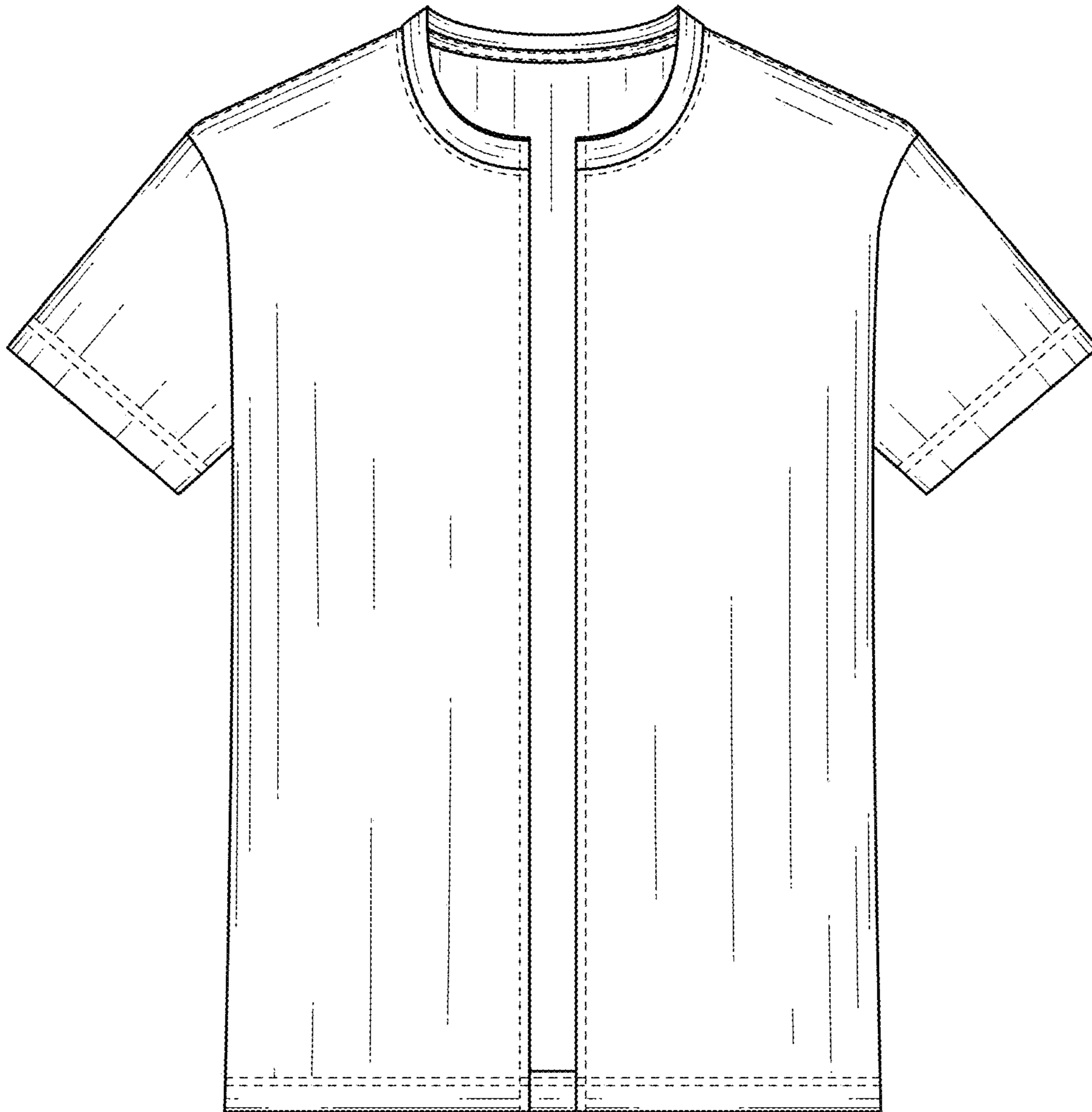


FIG. 2

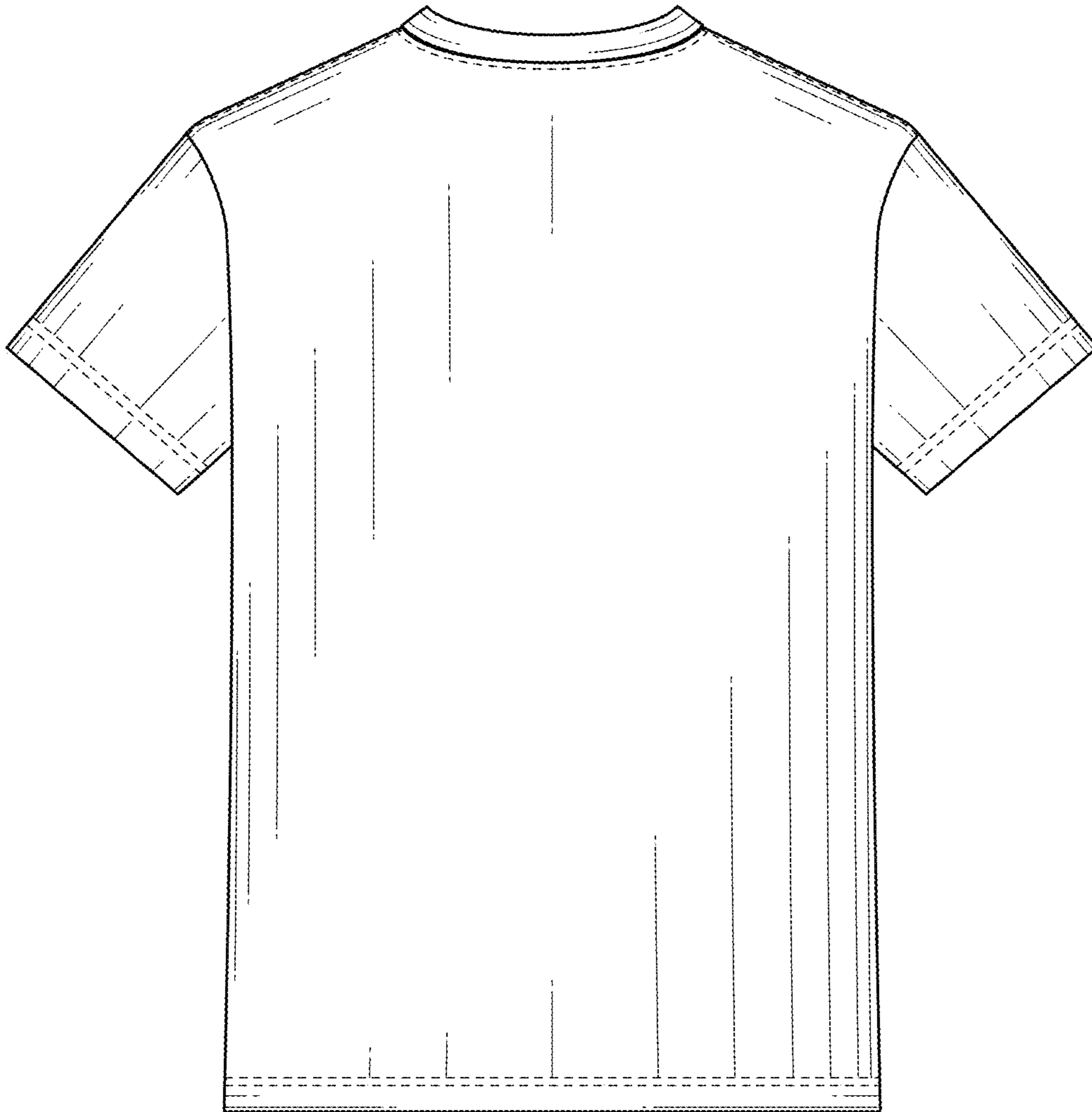


FIG. 3

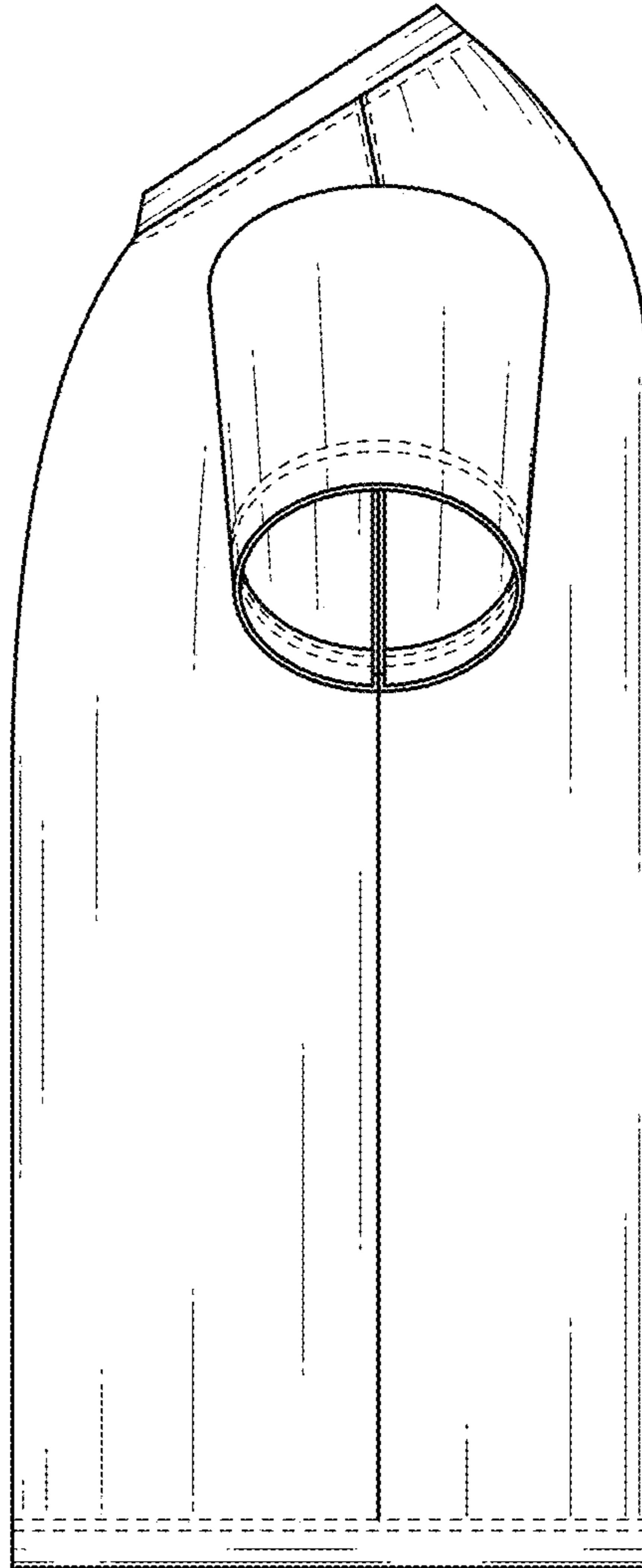


FIG. 4

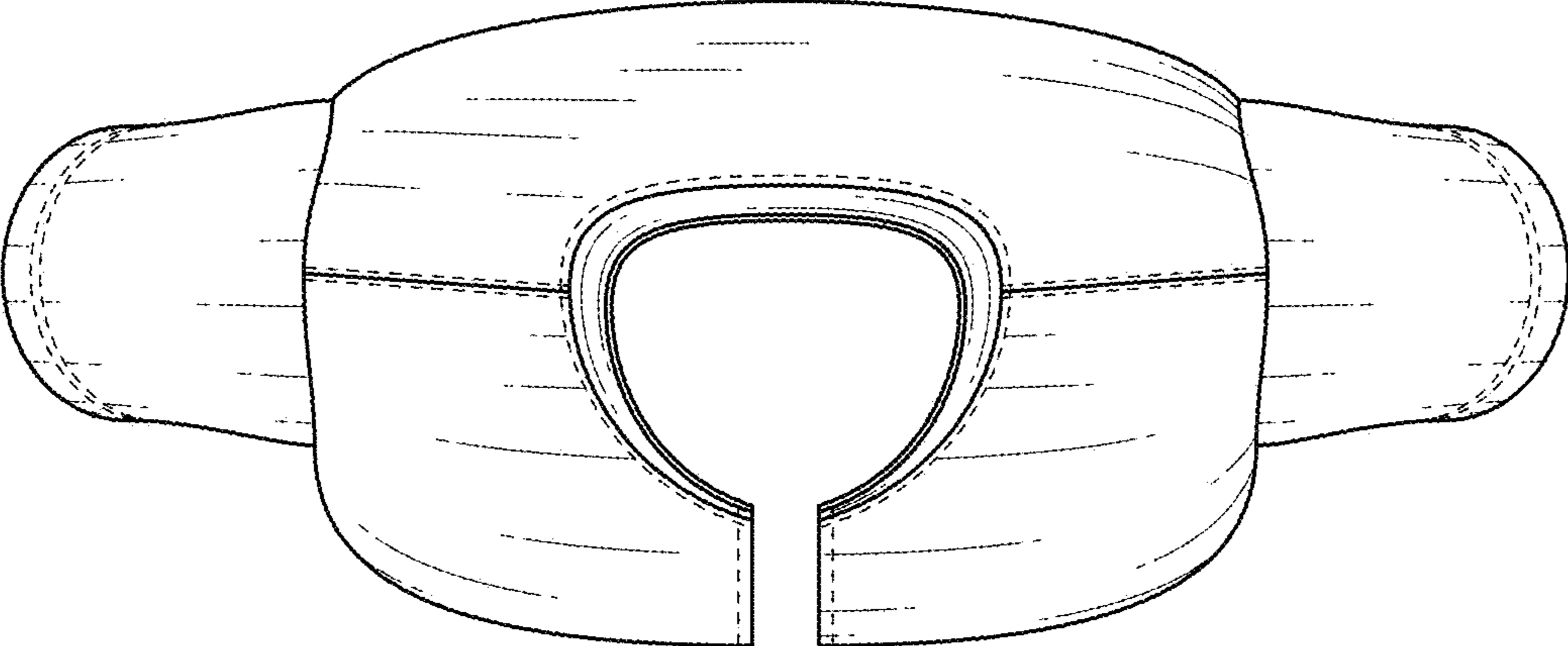


FIG. 5

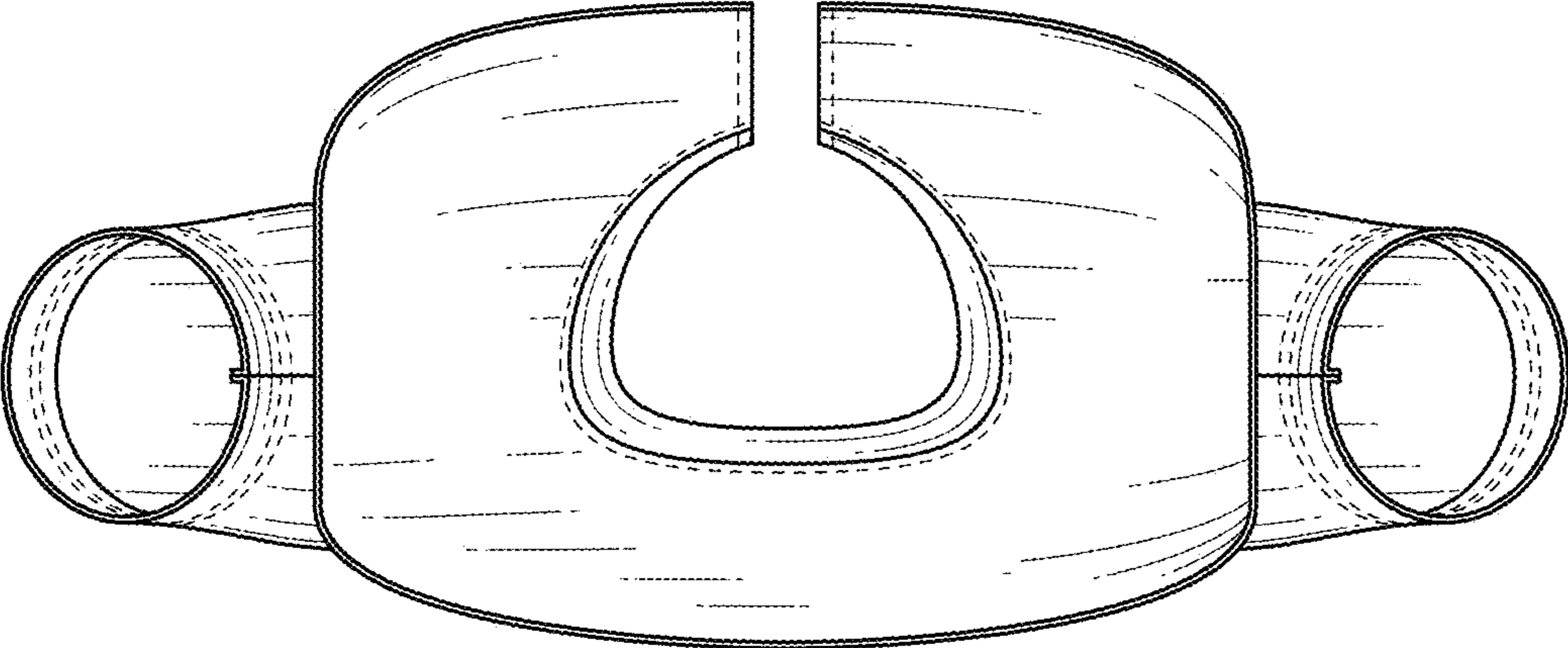


FIG. 6

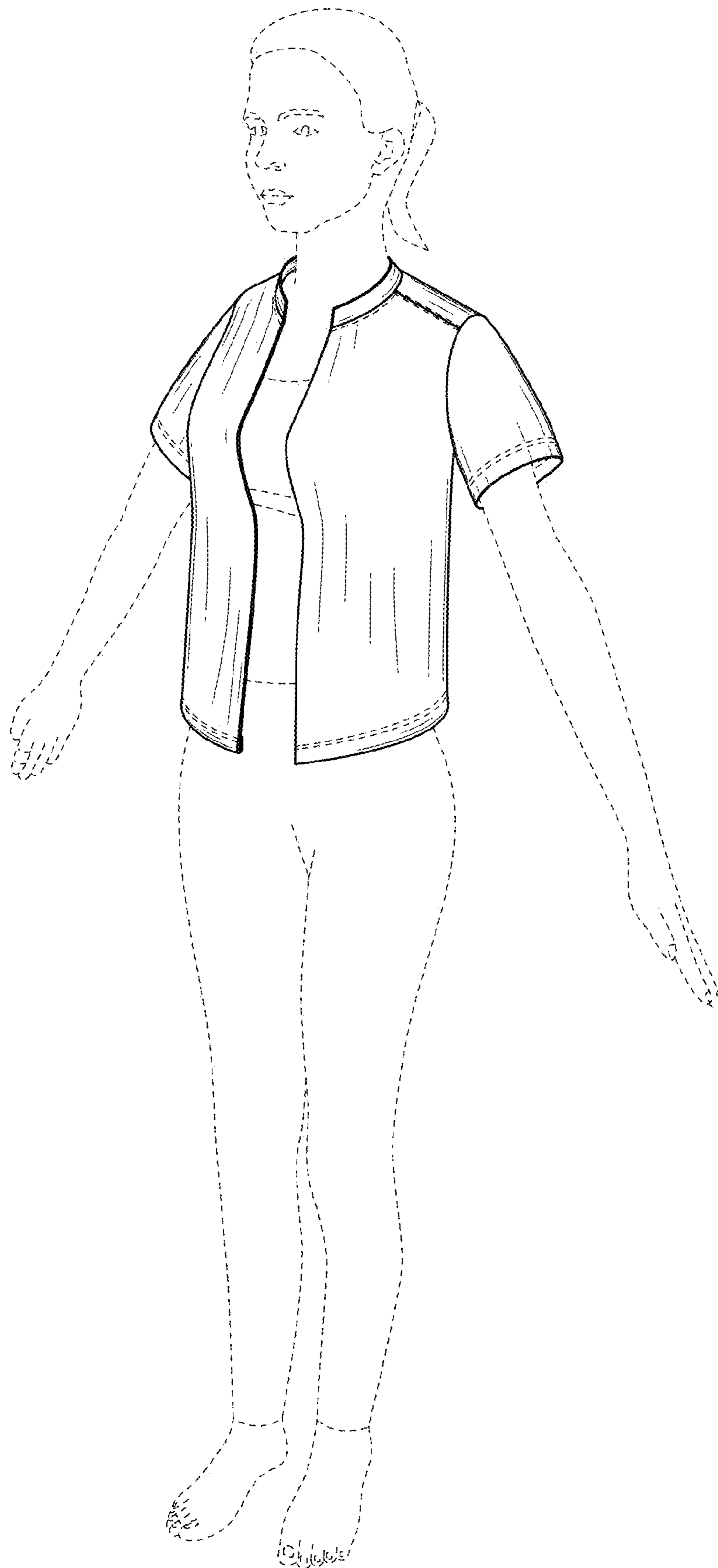


FIG. 7

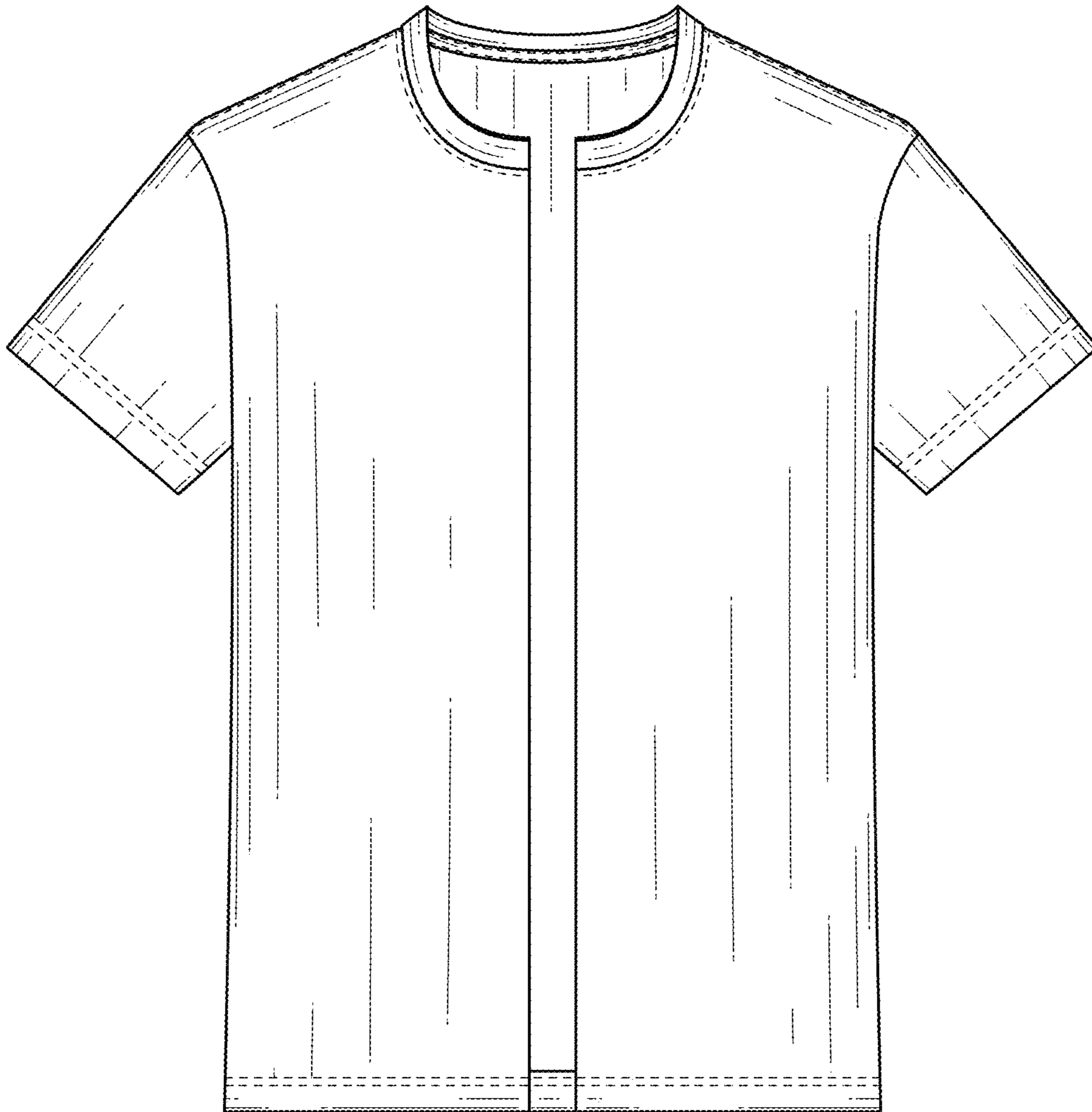


FIG. 8

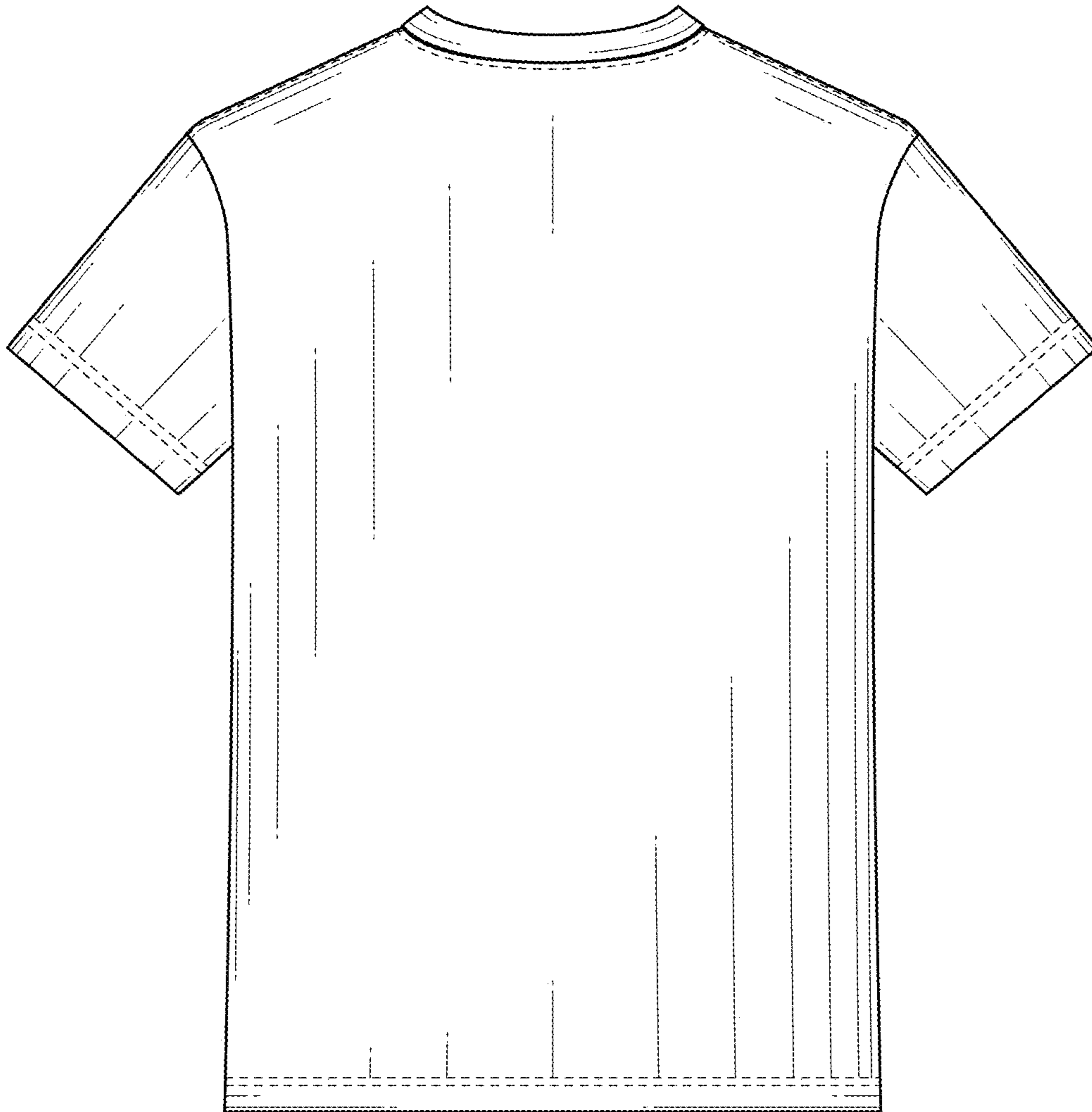


FIG. 9

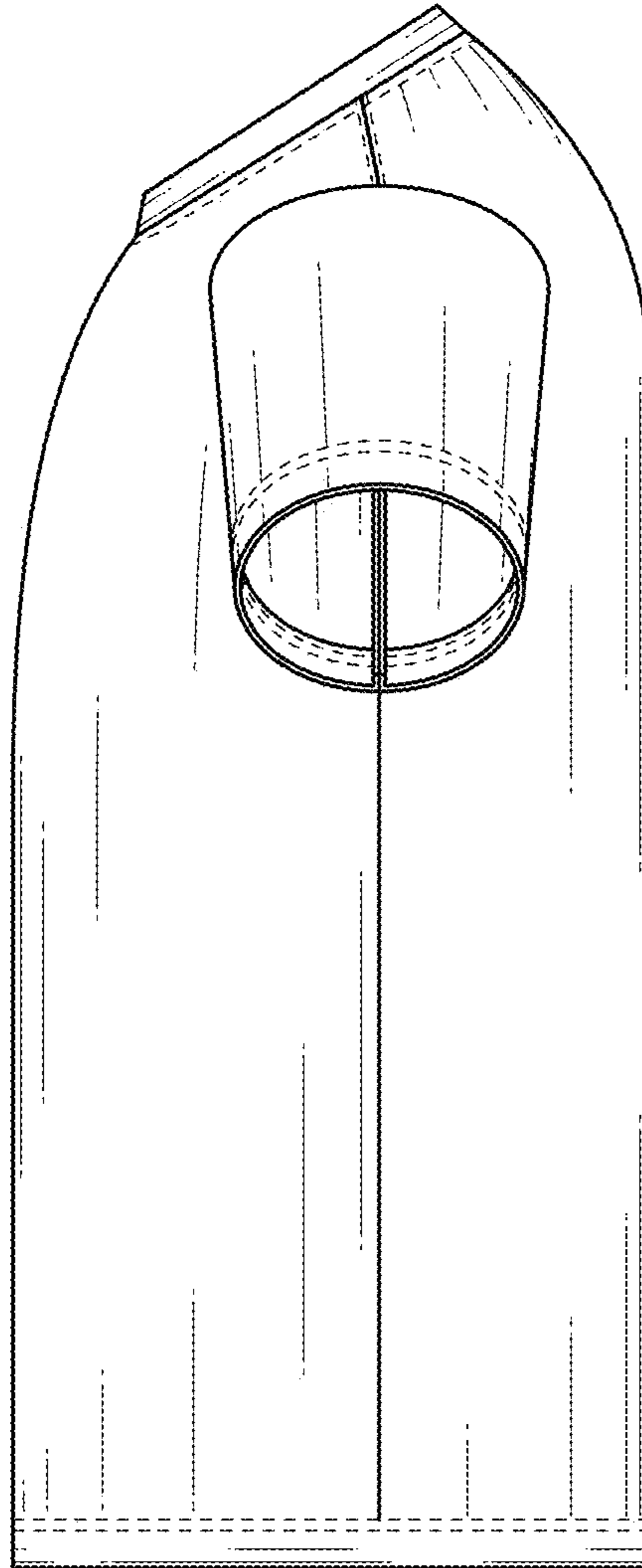


FIG. 10

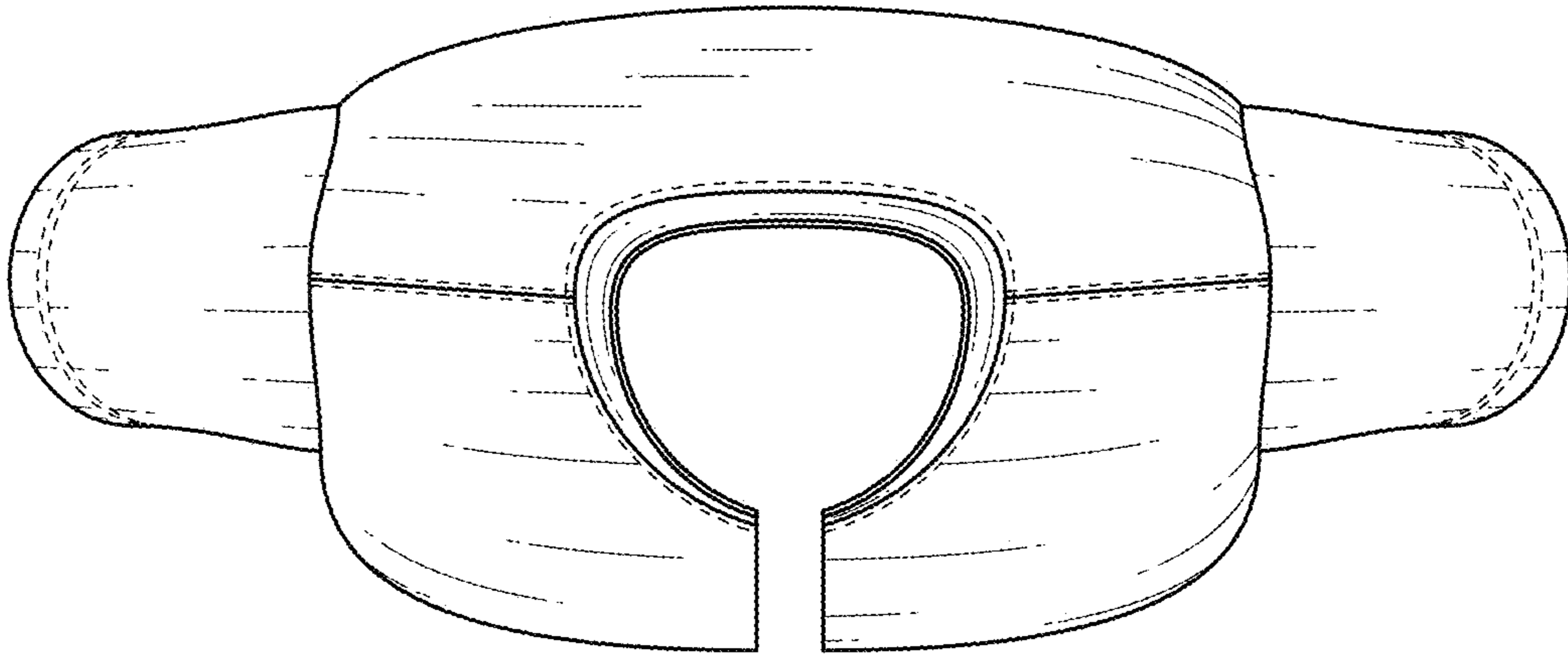


FIG. 11

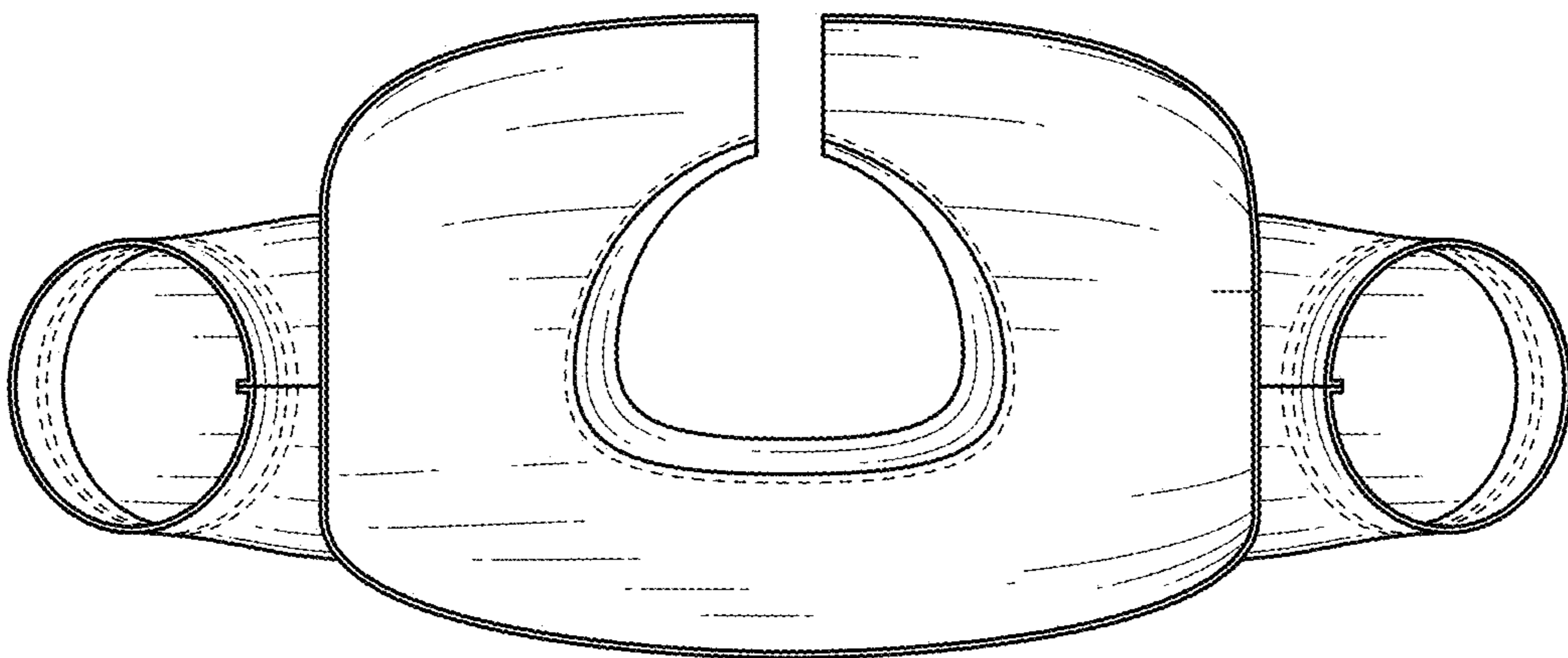


FIG. 12