

US00D945112S

(12) **United States Design Patent**
Rowe

(10) **Patent No.:** **US D945,112 S**
(45) **Date of Patent:** **** Mar. 8, 2022**

(54) **BUN**
(71) Applicant: **James H. Rowe**, Carol Stream, IL (US)
(72) Inventor: **James H. Rowe**, Carol Stream, IL (US)
(**) Term: **15 Years**
(21) Appl. No.: **29/753,371**
(22) Filed: **Sep. 30, 2020**
(51) **LOC (13) Cl.** **01-01**
(52) **U.S. Cl.**
USPC **D1/129; D1/122; D1/130**
(58) **Field of Classification Search**
USPC D1/100-130, 199; 426/104, 108, 138,
426/391, 549, 808, 94, 143, 559, 560;
(Continued)

(56) **References Cited**
U.S. PATENT DOCUMENTS
D234,275 S * 2/1975 Kosecoff D1/129
D295,455 S * 5/1988 Han D1/101
(Continued)

Primary Examiner — Katie Jane Stofko
(74) *Attorney, Agent, or Firm* — Meroni & Meroni, PC;
Charles F. Meroni, Jr.

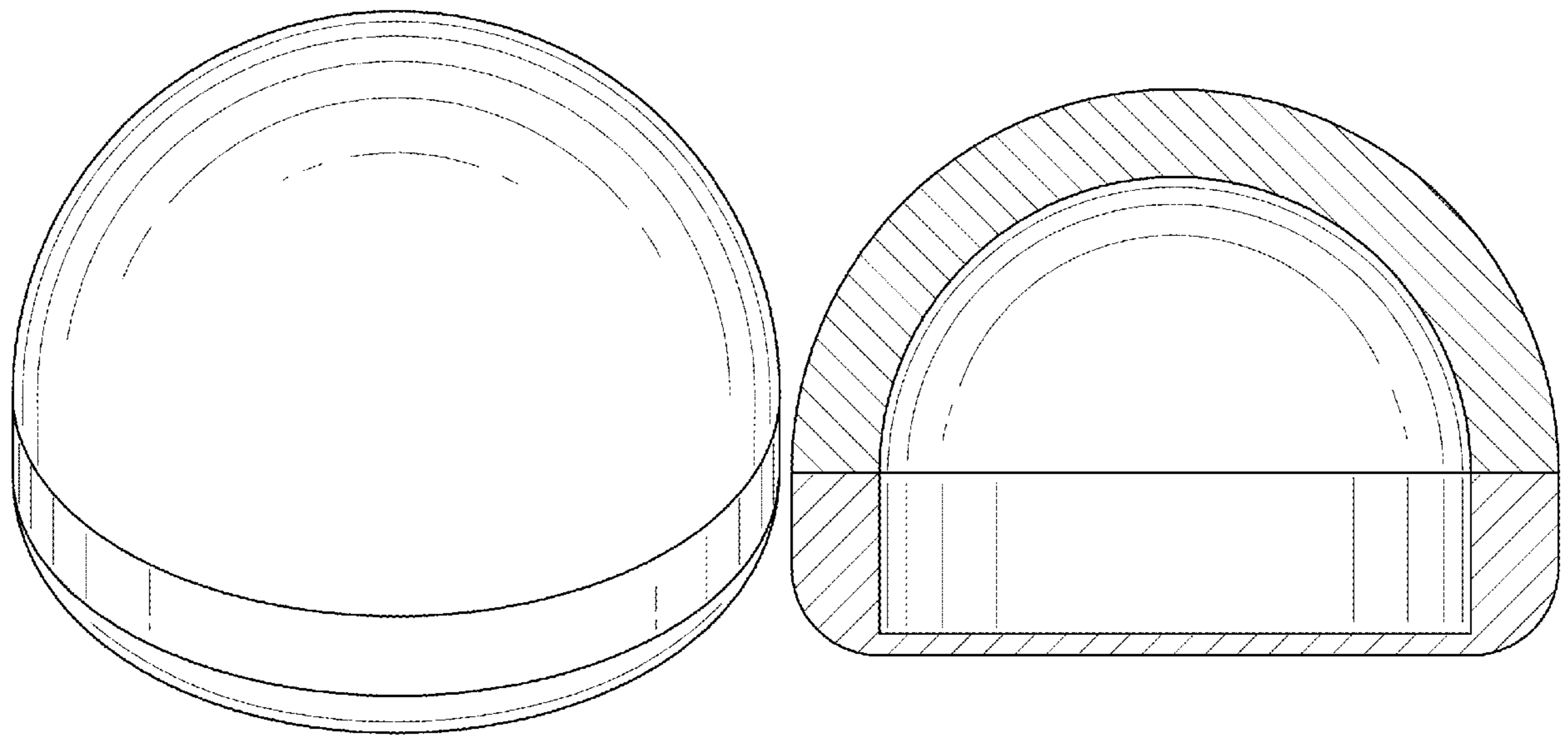
(57) **CLAIM**
The ornamental design for a bun, as shown and described.

DESCRIPTION

FIG. 1 is a top perspective view of a bun showing our new design;
FIG. 2 is a bottom perspective view thereof;
FIG. 3 is a front elevation view thereof;

FIG. 4 is a back elevation view thereof;
FIG. 5 is a left side elevation view thereof;
FIG. 6 is a right side elevation view thereof;
FIG. 7 is a top plan view thereof;
FIG. 8 is a bottom plan view thereof;
FIG. 9 is a cross-sectional view thereof, taken along line 9-9 in FIG. 7;
FIG. 10 is a top perspective view of the top half of the bun;
FIG. 11 is a bottom perspective view of the top half of the bun;
FIG. 12 is a front elevation view of the top half of the bun;
FIG. 13 is a back elevation view of the top half of the bun;
FIG. 14 is a left side elevation view of the top half of the bun;
FIG. 15 is a right side elevation view of the top half of the bun;
FIG. 16 is a top plan view of the top half of the bun;
FIG. 17 is a bottom plan view of the top half of the bun;
FIG. 18 is a cross-sectional view of the top half of the bun, taken along line 18-18 in FIG. 16;
FIG. 19 is a top perspective view of the bottom half of the bun;
FIG. 20 is a bottom perspective of the bottom half of the bun;
FIG. 21 is a front elevation view of the bottom half of the bun;
FIG. 22 is a back elevation view of the bottom half of the bun;
FIG. 23 is a left side elevation view of the bottom half of the bun;
FIG. 24 is a right side elevation view of the bottom half of the bun;
FIG. 25 is a top plan view of the bottom half of the bun;
FIG. 26 is a bottom plan view of the bottom half of the bun;
and,
FIG. 27 is a cross-sectional view of the bottom half of the bun, taken along line 27-27 in FIG. 25.

1 Claim, 20 Drawing Sheets



(58) **Field of Classification Search**

USPC D6/597, 601, 303; D7/359, 354, 628,
D7/675; D21/623, 803, 386, 503; 28/4;
119/710; D25/138; D9/456, 624, 629,
D9/707; D11/44, 56, 81, 83, 103, 149,
D11/157; 249/92; D3/208, 271.1;
D99/5
CPC .. A21D 13/0025; A21D 13/0074; B26D 3/11;
A47J 37/043; A47J 37/049; A47J 43/18;
A22C 17/006; A22C 13/0013; A23L
1/164; A23L 1/005; A23B 4/10; B65D
81/343

See application file for complete search history.

(56) **References Cited**

U.S. PATENT DOCUMENTS

4,765,501 A * 8/1988 Kao B65D 11/02
220/4.21
D312,914 S * 12/1990 Daldrup 426/138
D404,536 S * 1/1999 Hepworth D1/122
6,024,995 A * 2/2000 Rosso A23G 3/54
426/93
D562,699 S * 2/2008 Green D9/504
D727,591 S * 4/2015 Elliott D1/129
D768,936 S * 10/2016 Yoshida D28/85
D865,362 S * 11/2019 Schafer B65D 85/02
D3/302
D874,936 S * 2/2020 Son D9/504
D893,828 S * 8/2020 Kahvecioglu D1/129
D915,206 S * 4/2021 Lisowski D9/504

* cited by examiner

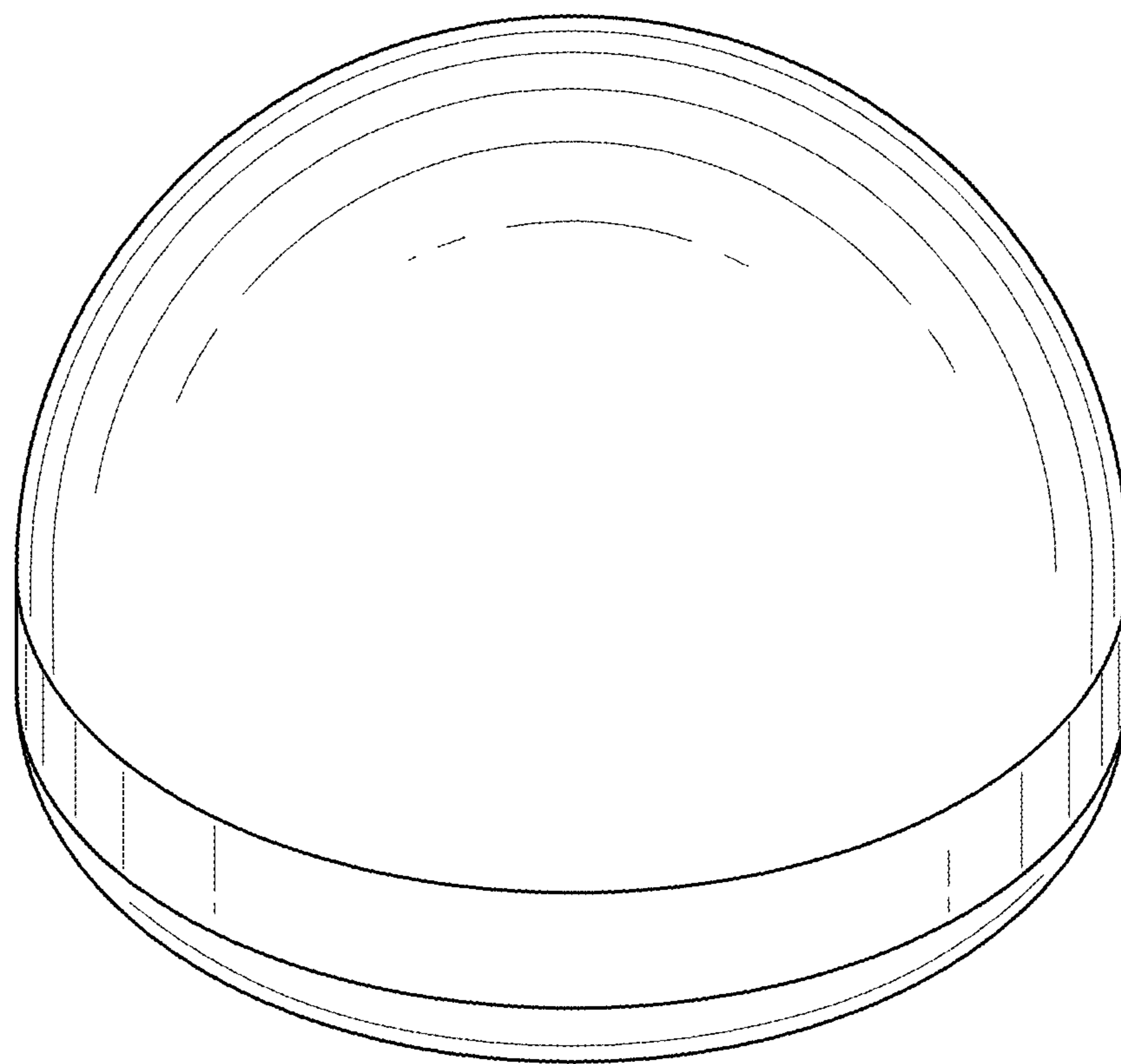


FIG. 1

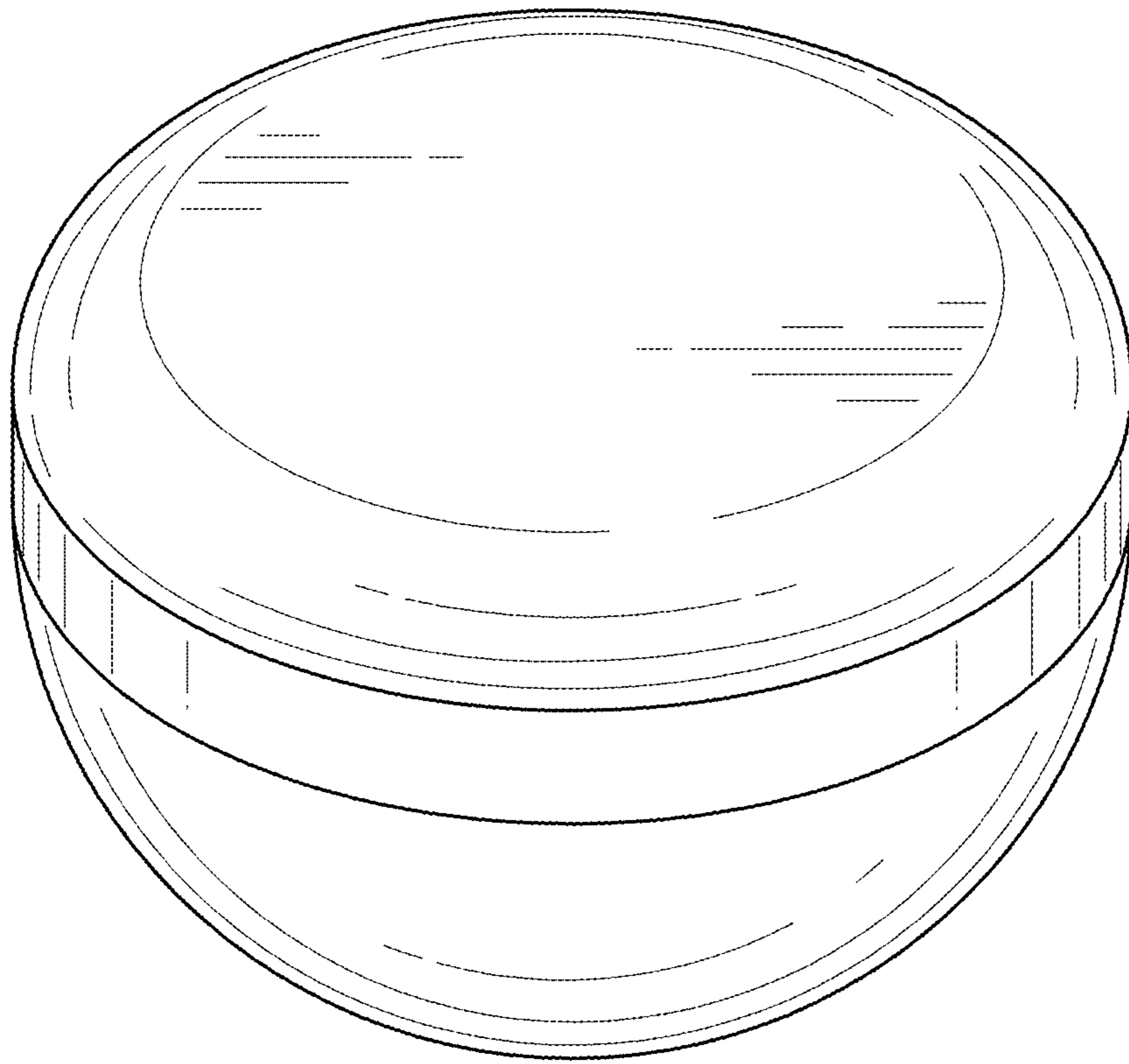


FIG. 2

3/20

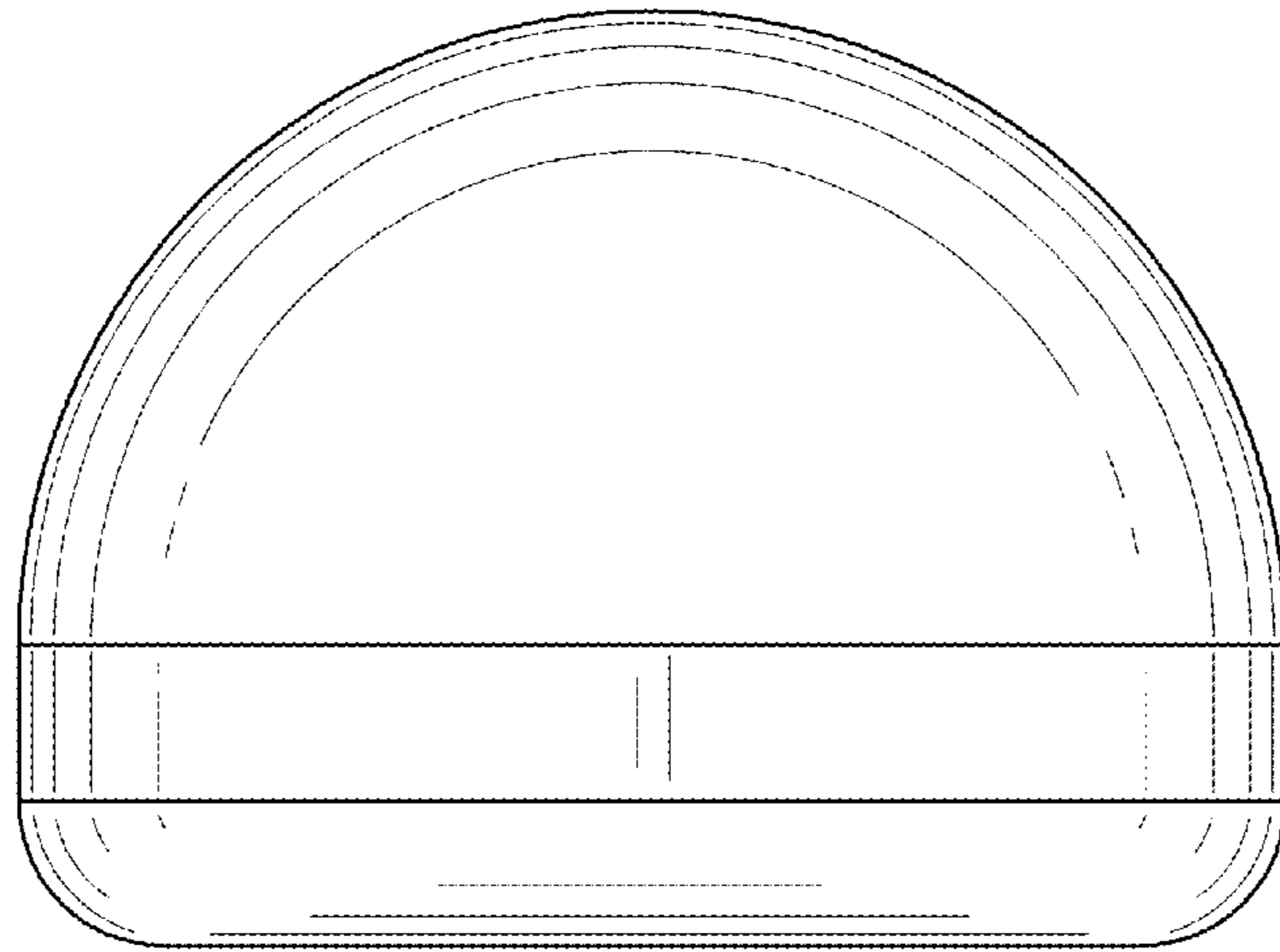


FIG. 3

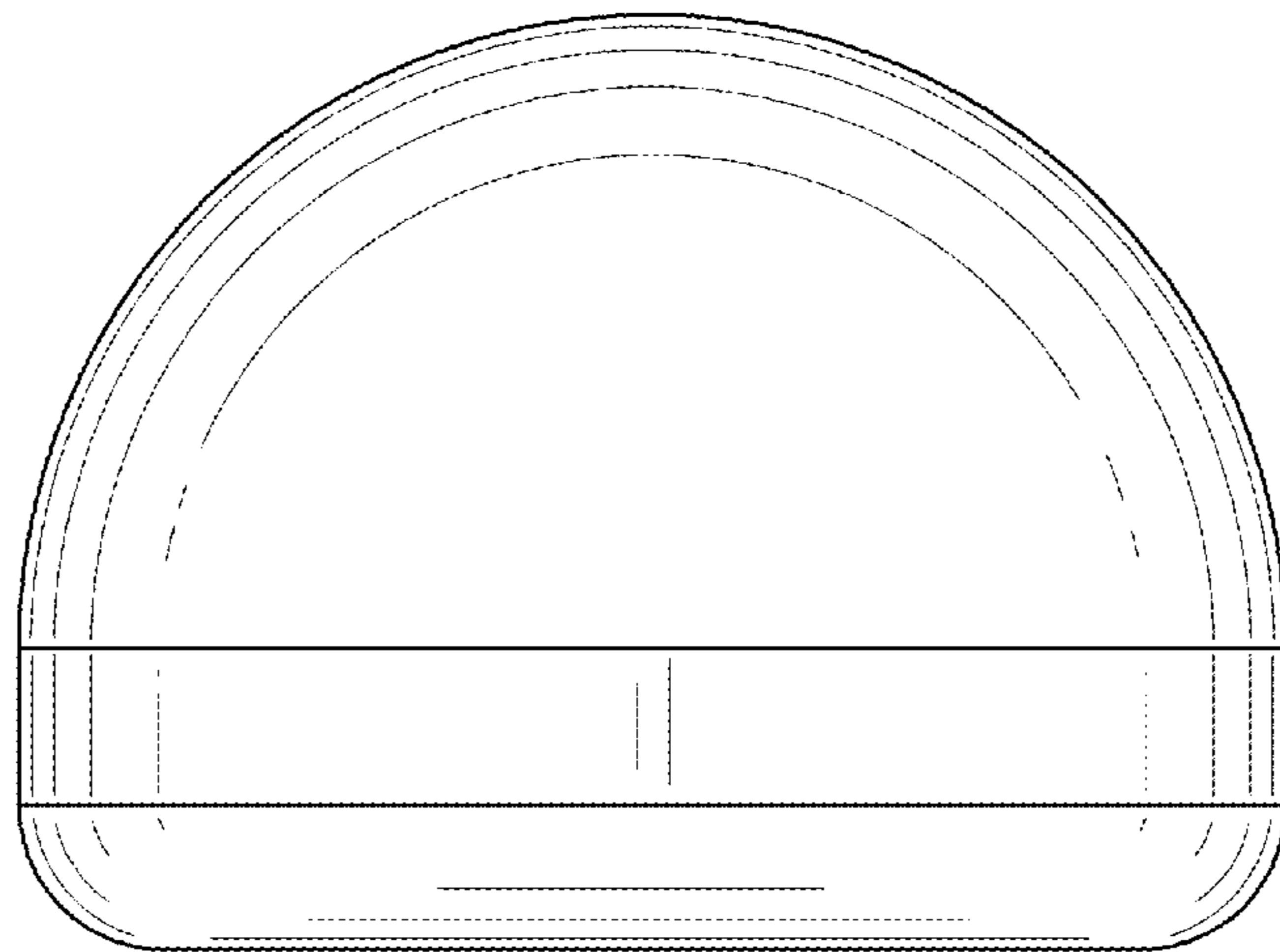


FIG. 4

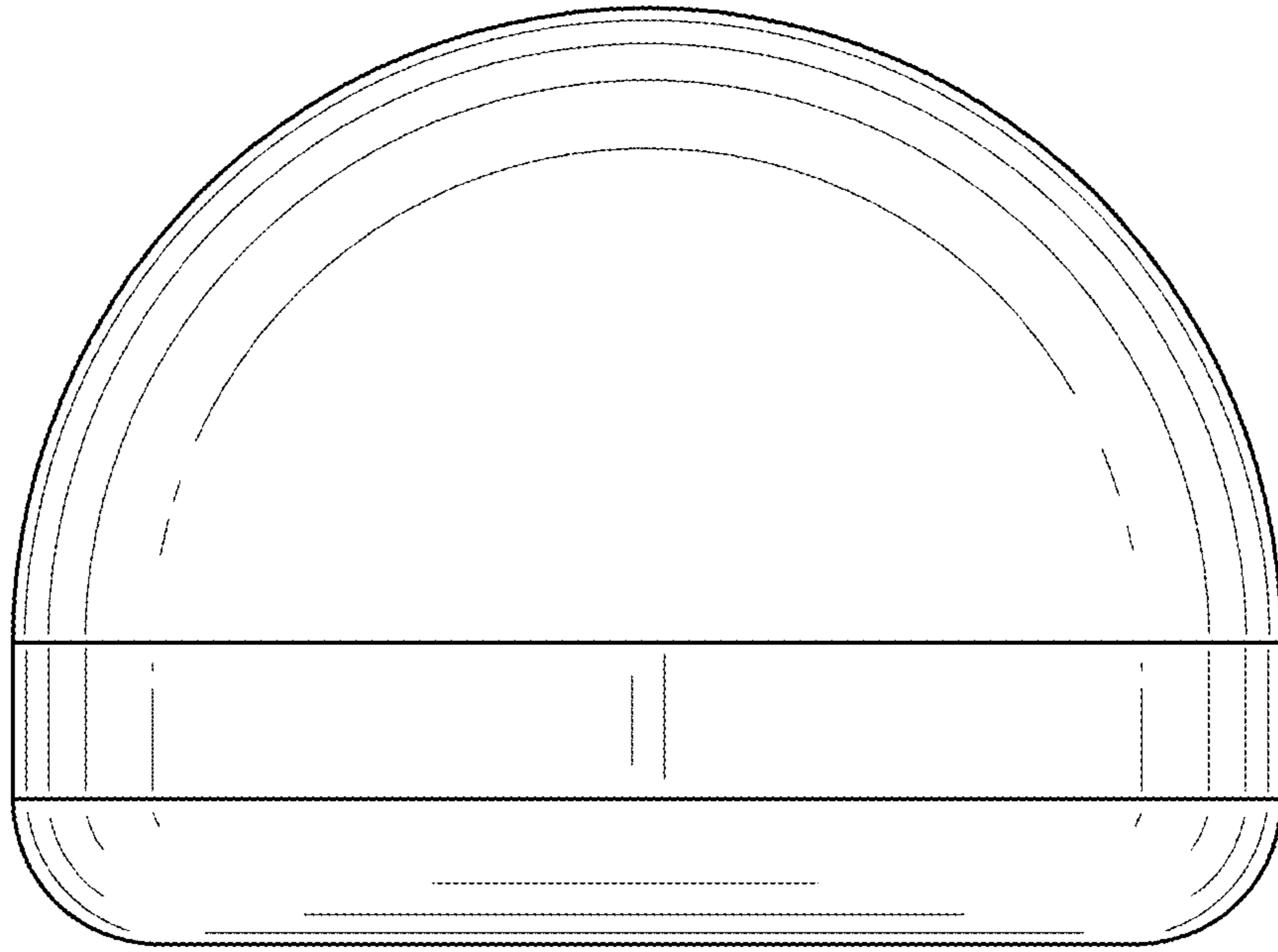


FIG. 5

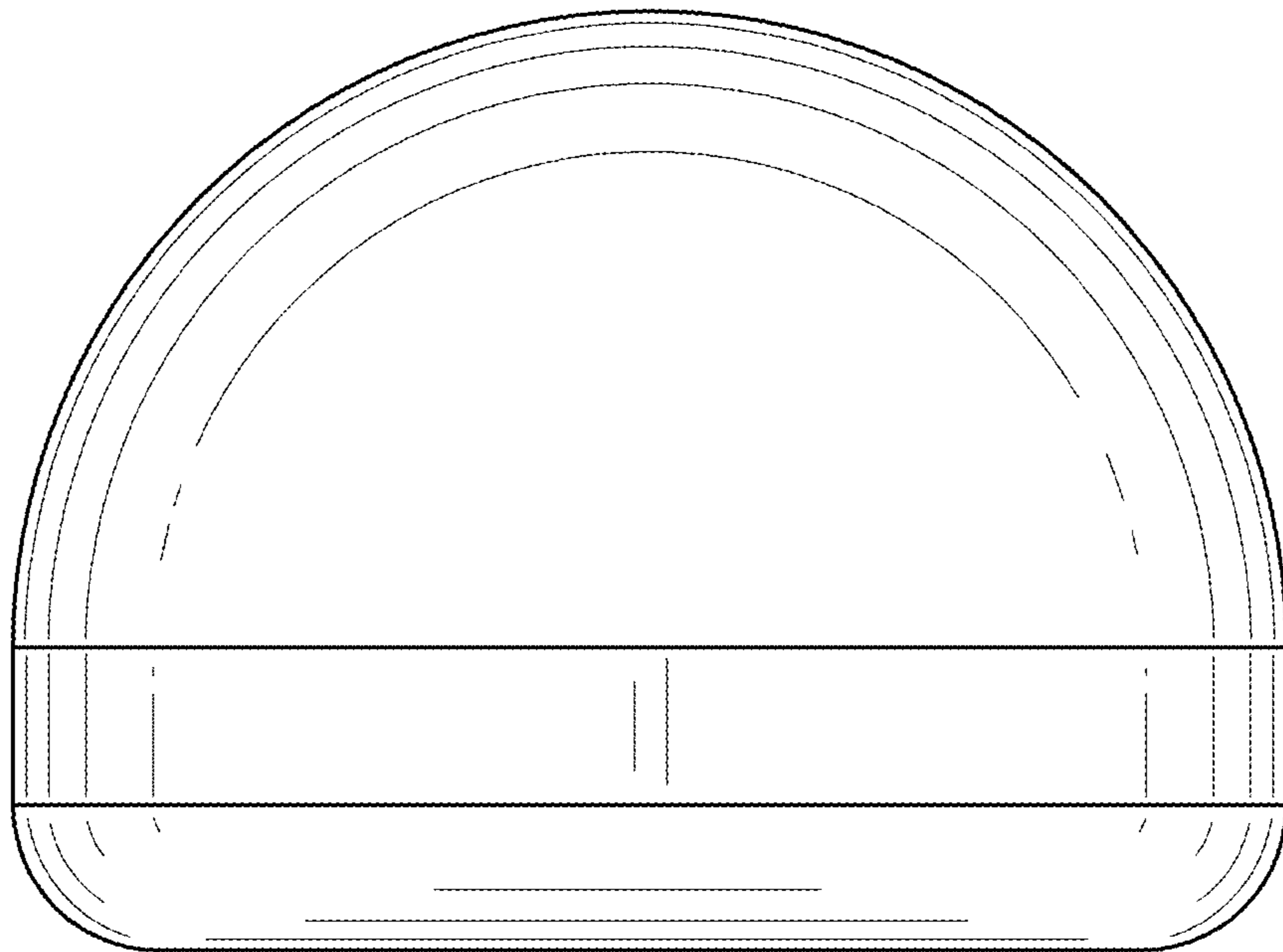


FIG. 6

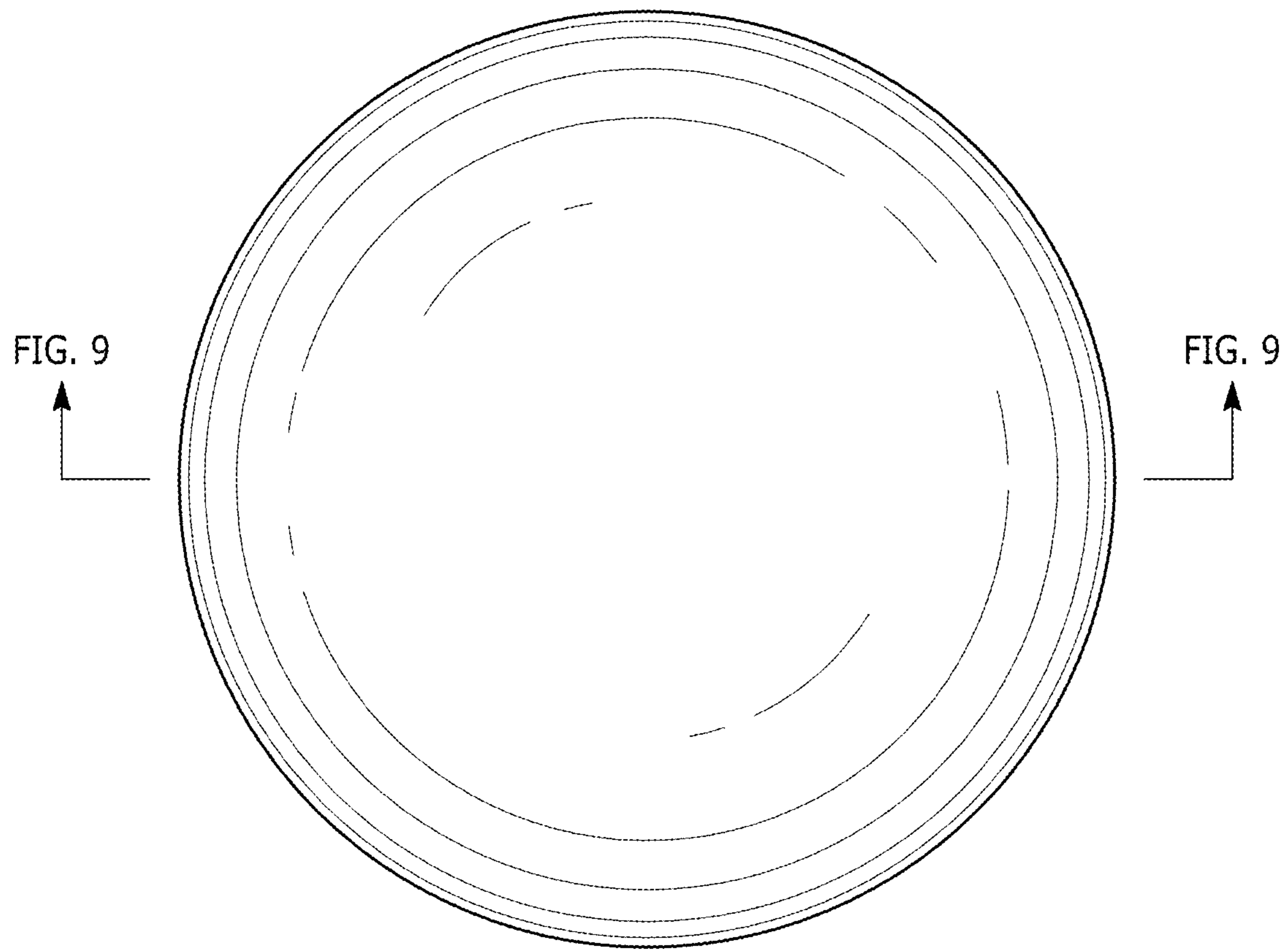


FIG. 7

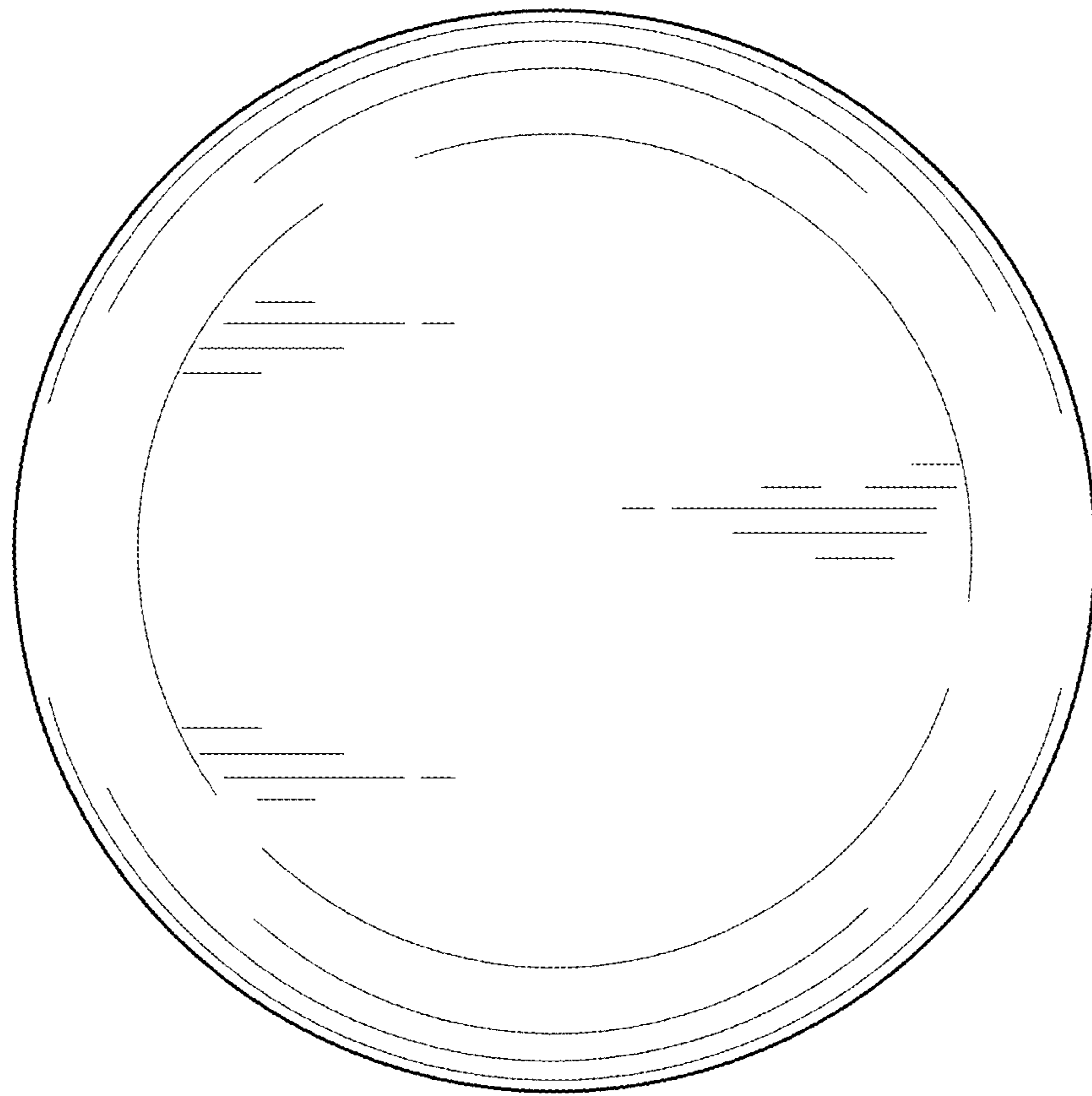


FIG. 8

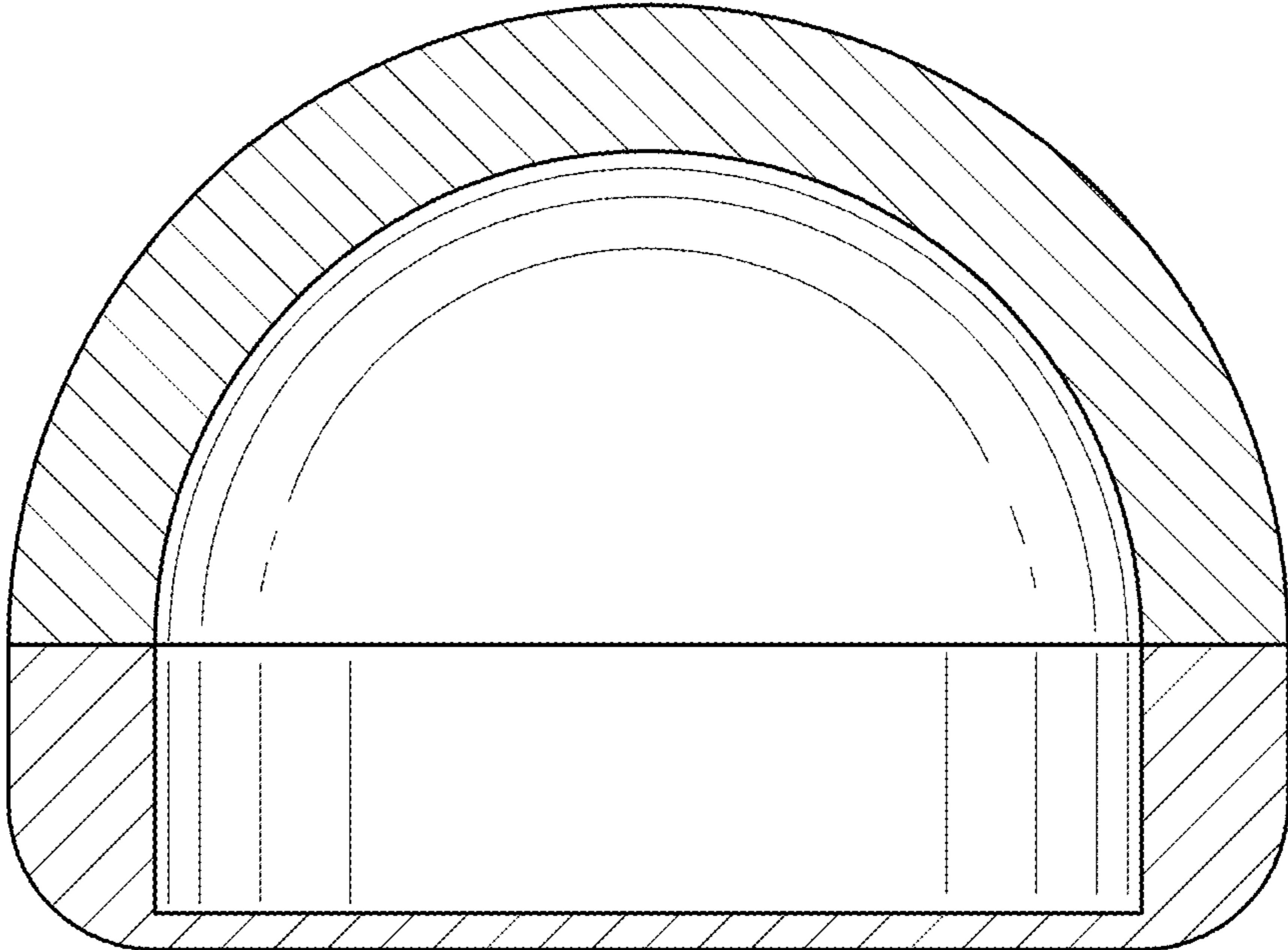


FIG. 9

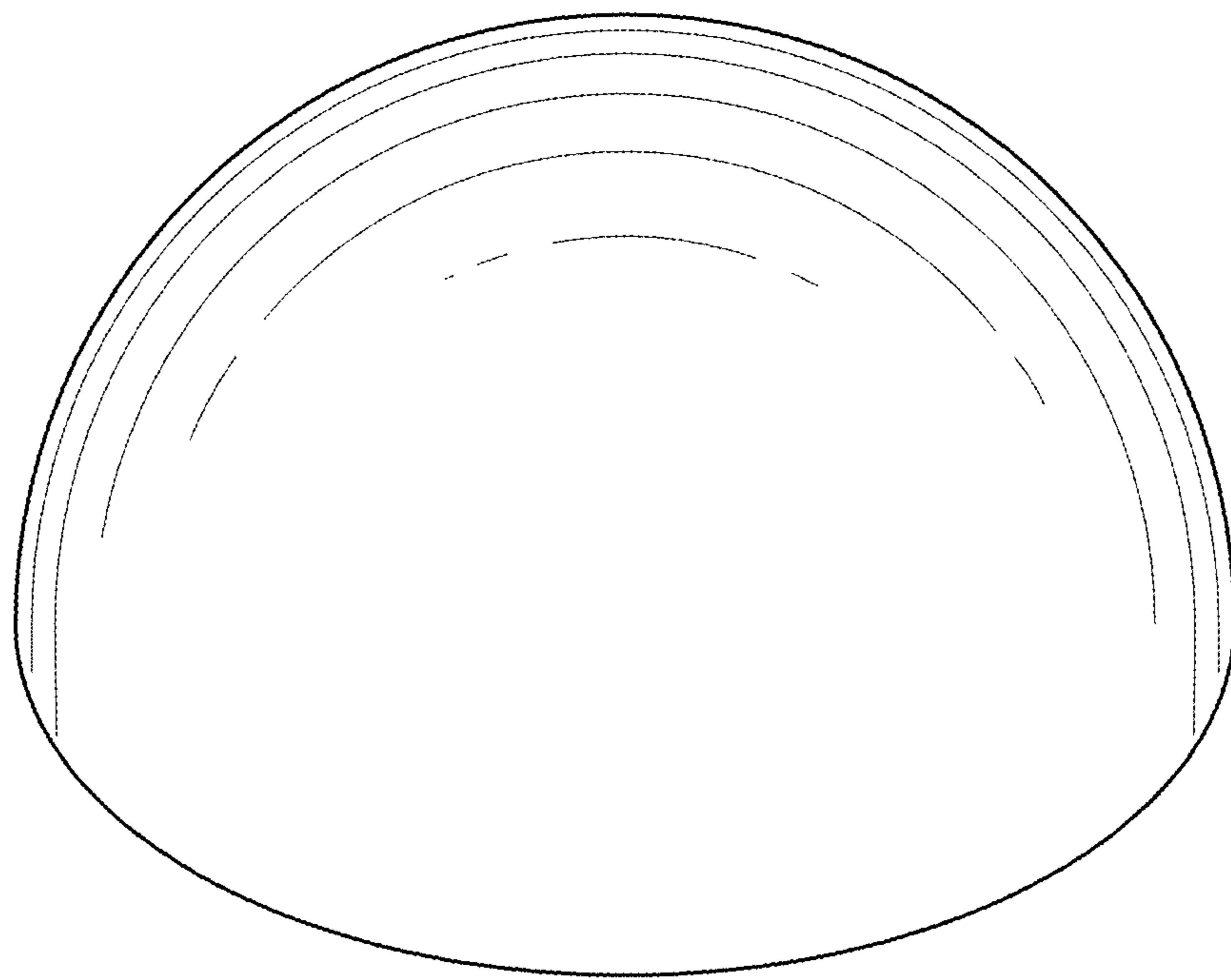


FIG. 10

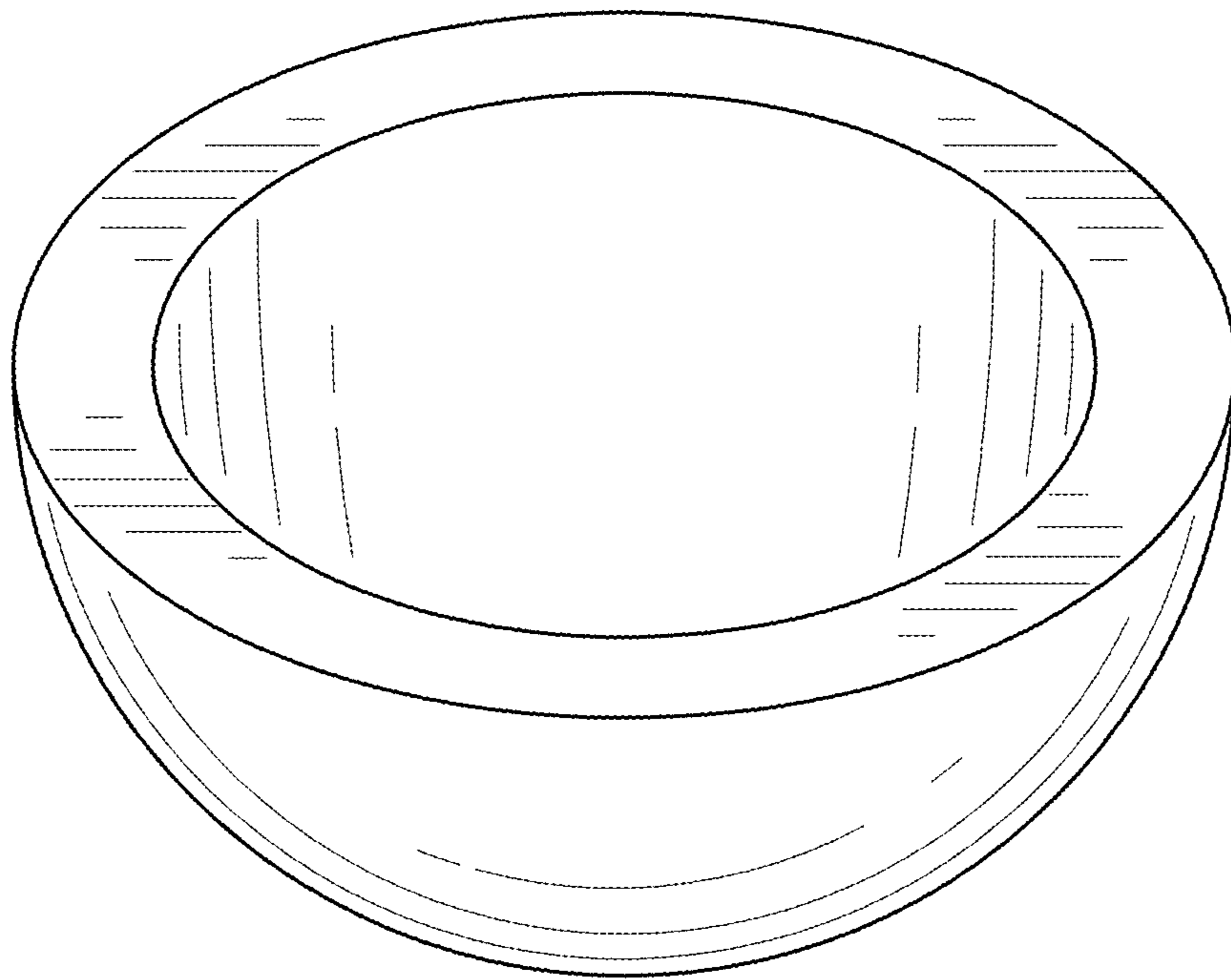


FIG. 11

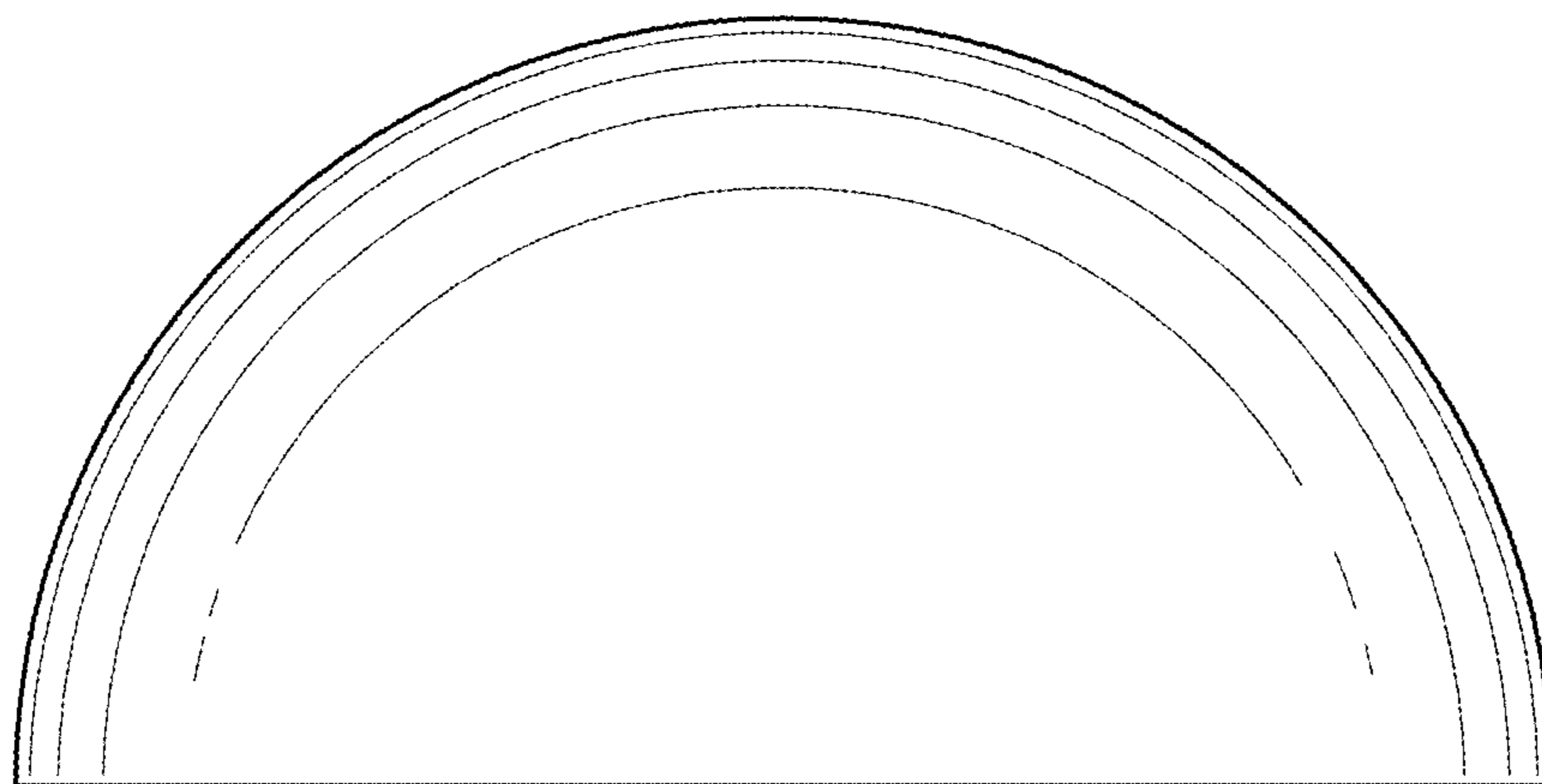


FIG. 12

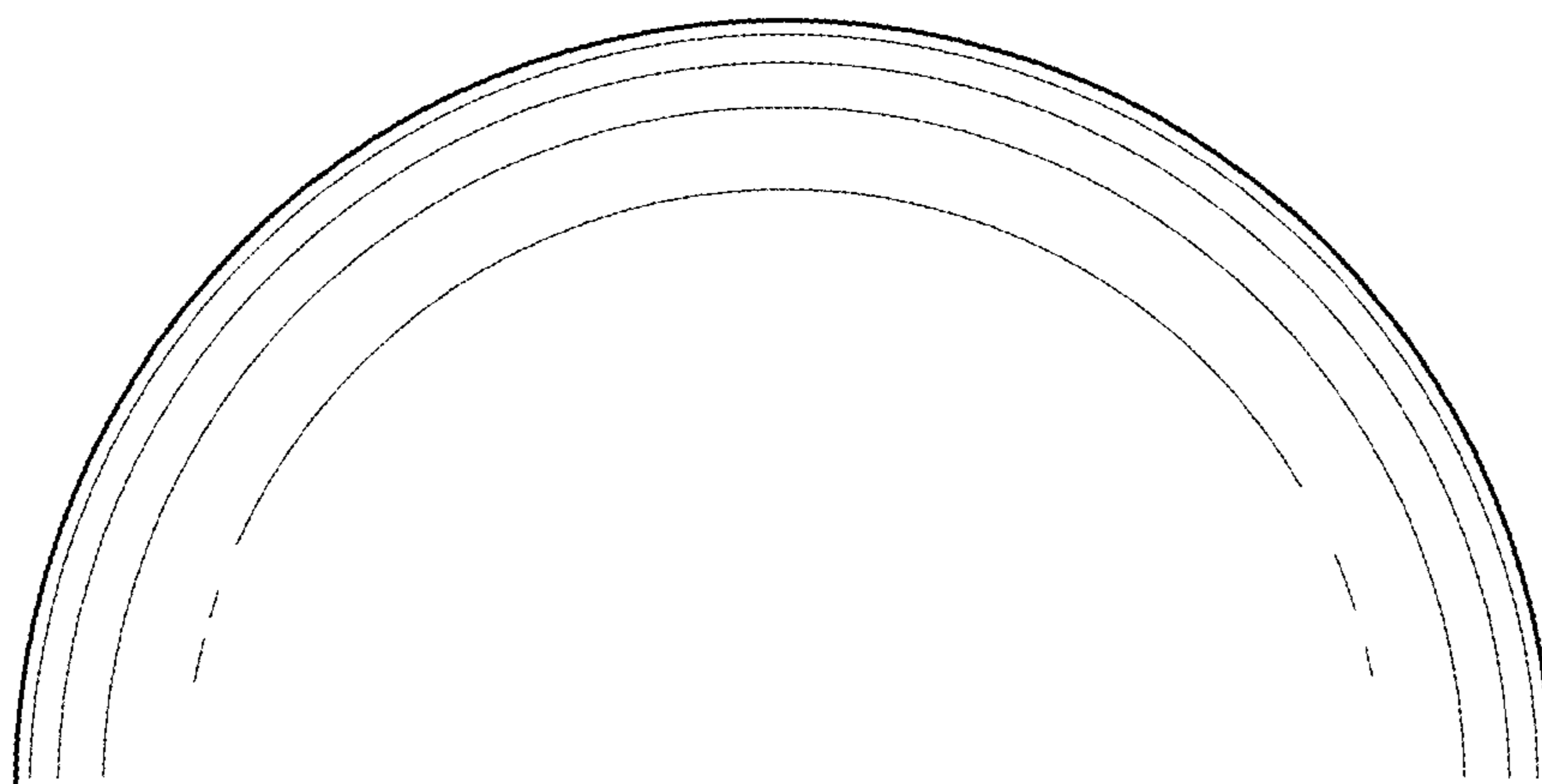


FIG. 13

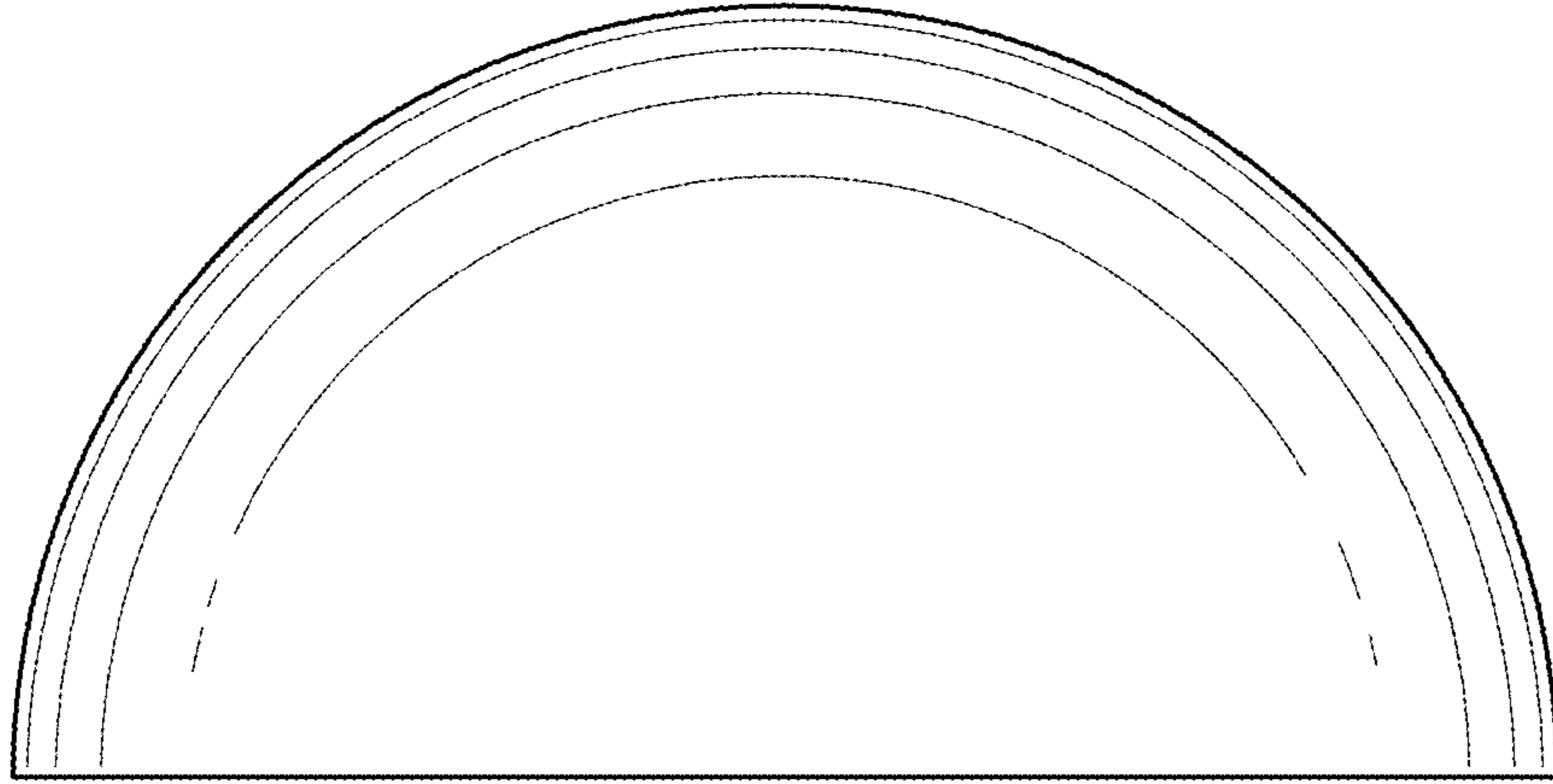


FIG. 14

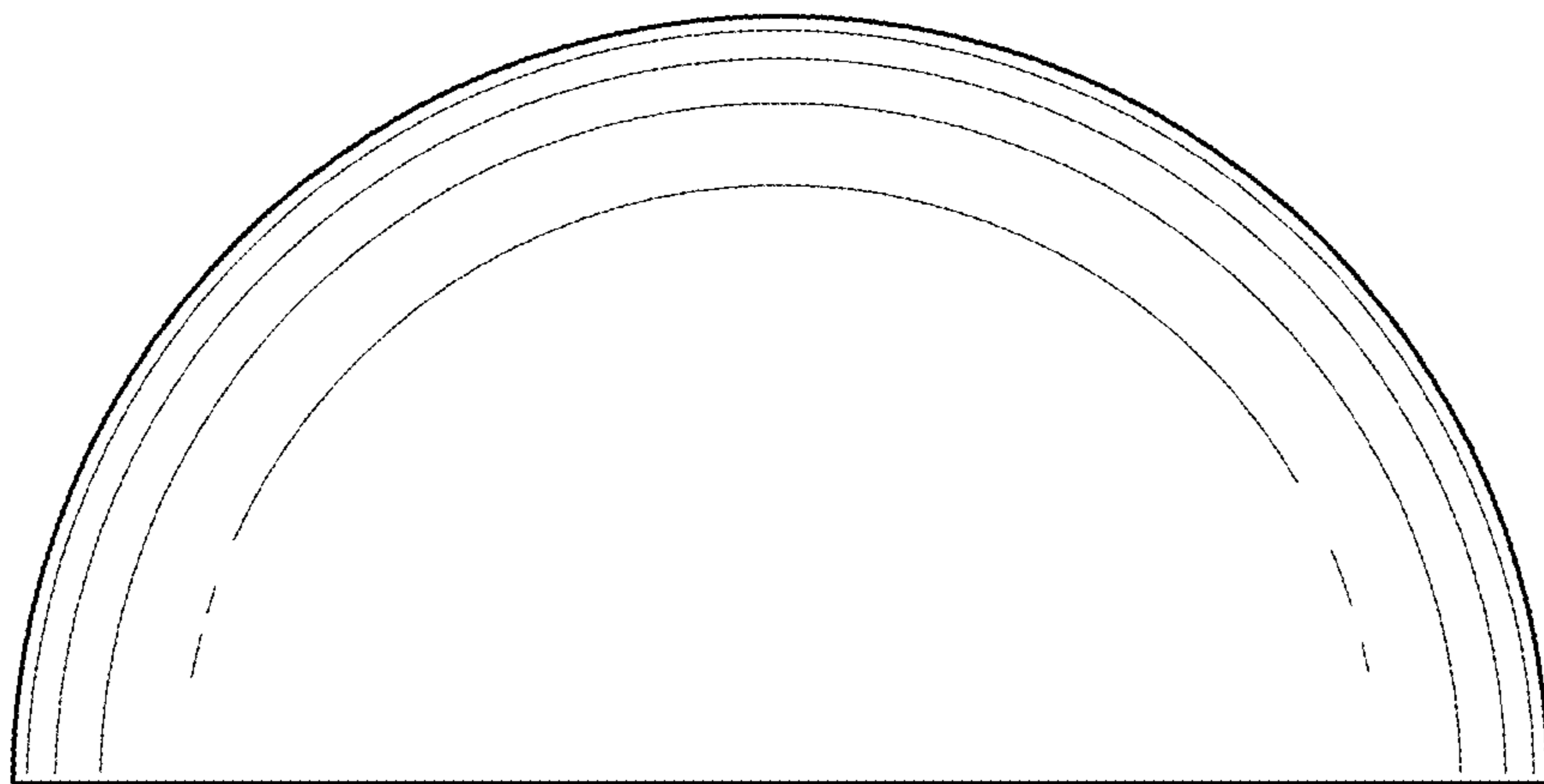


FIG. 15

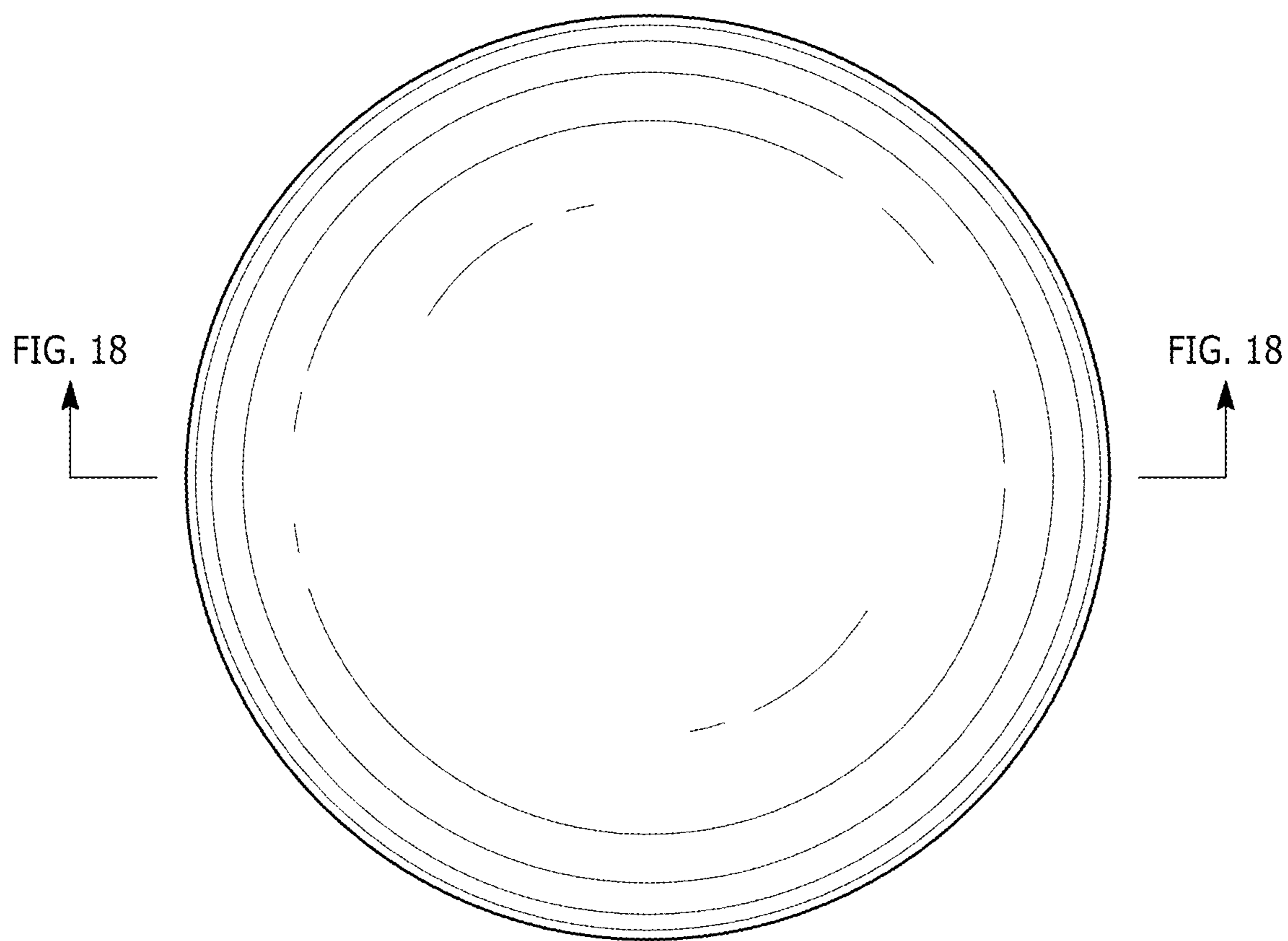


FIG. 18

FIG. 18

FIG. 16

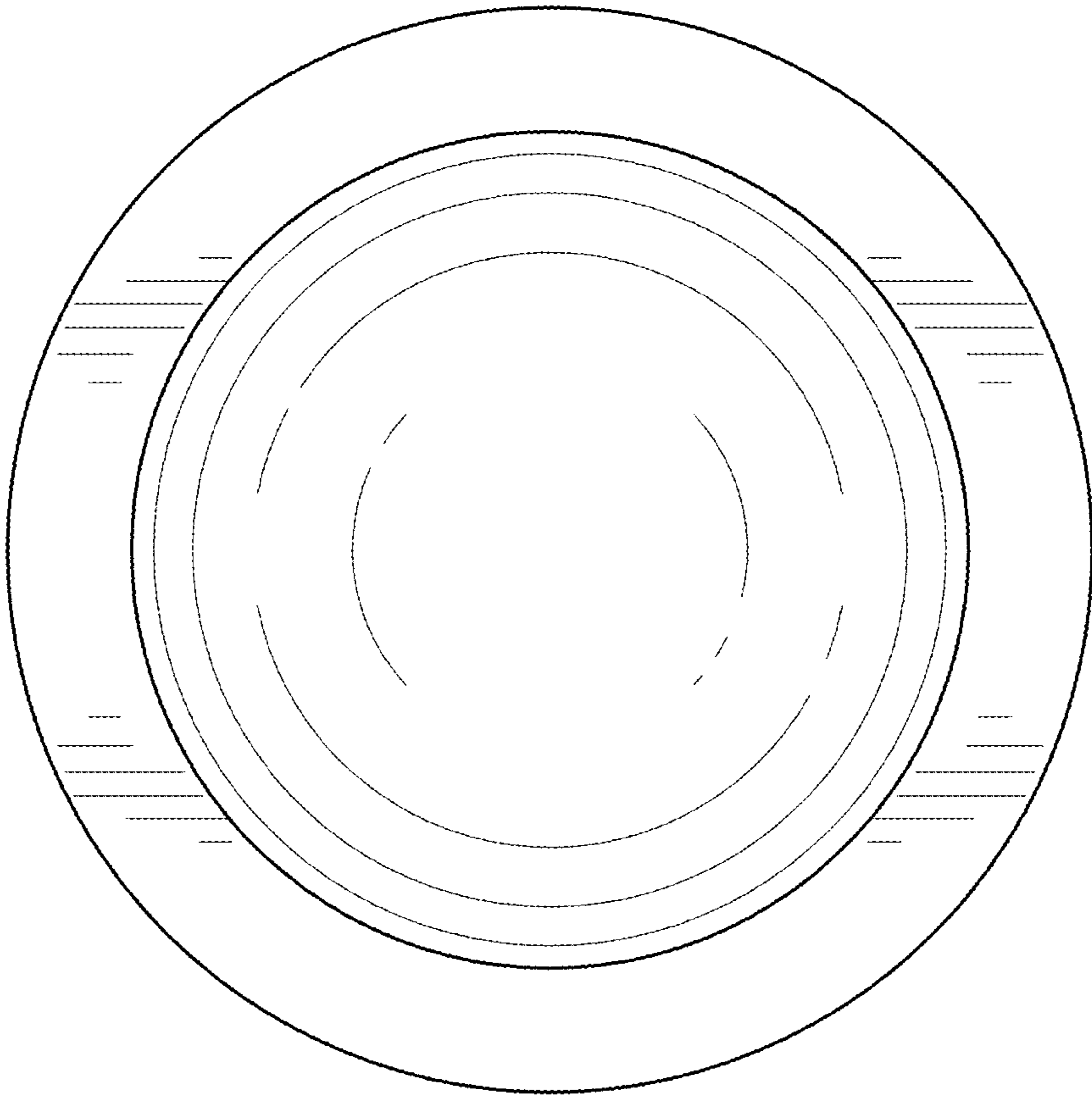


FIG. 17

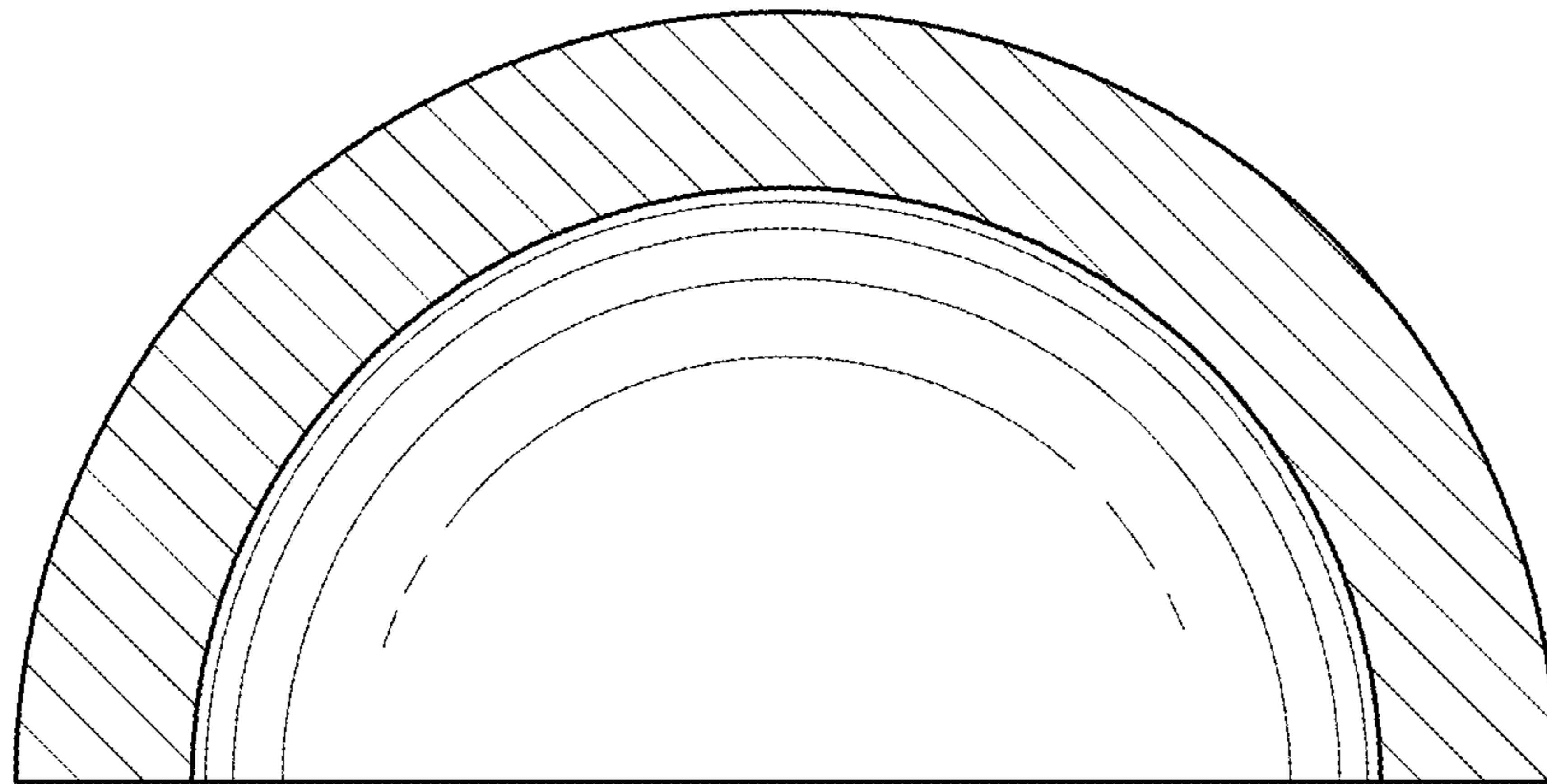


FIG. 18

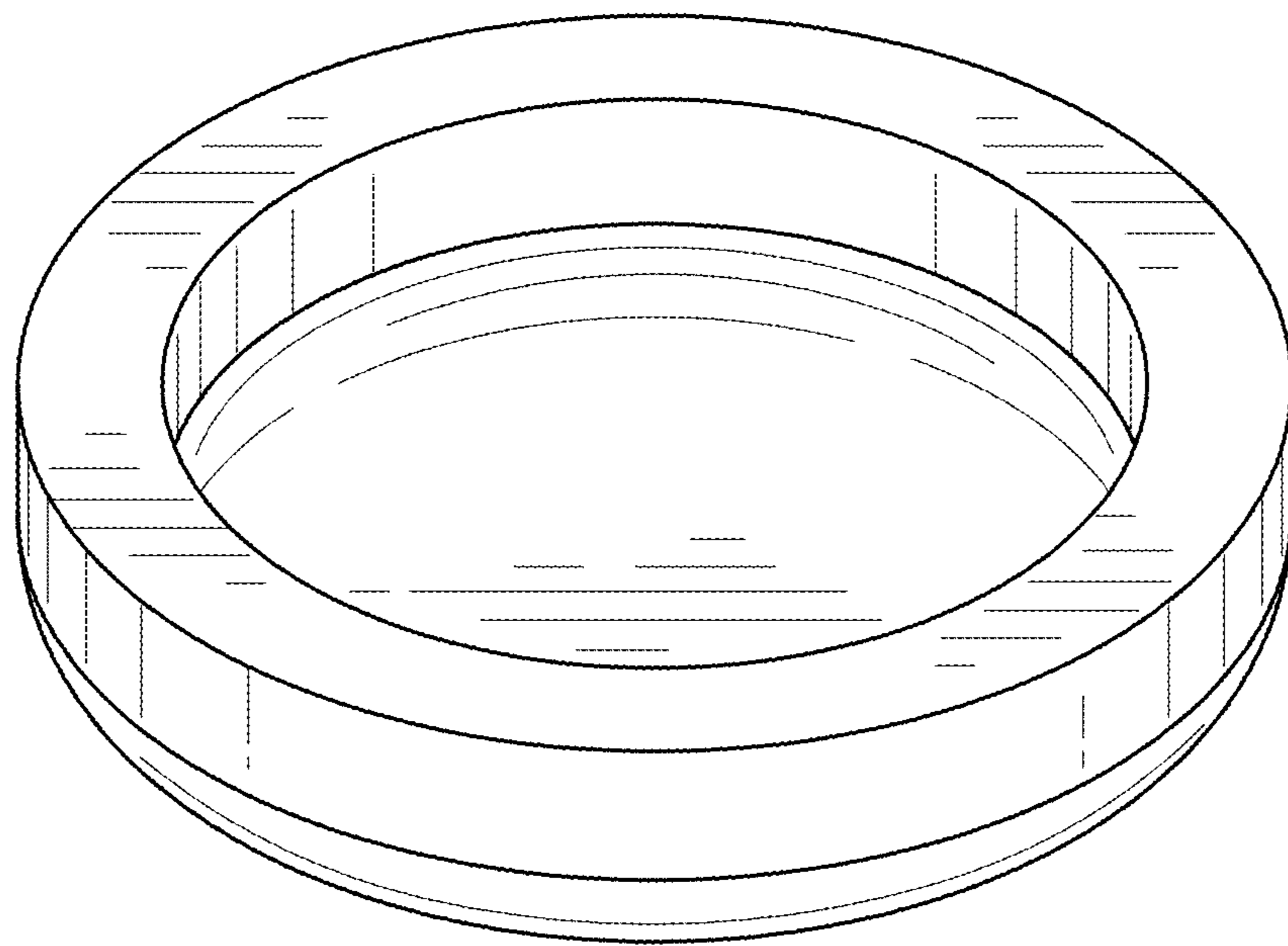


FIG. 19

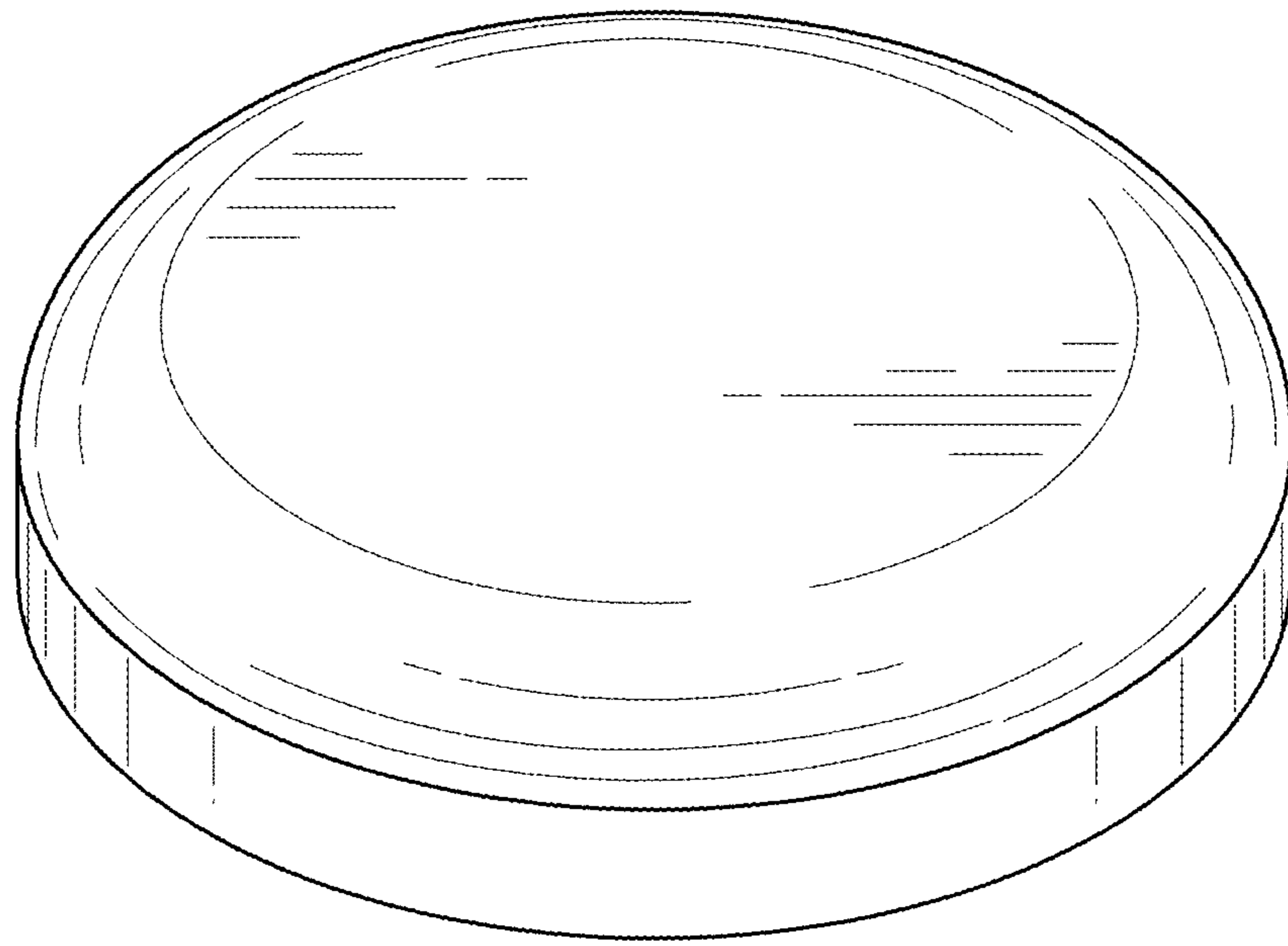


FIG. 20

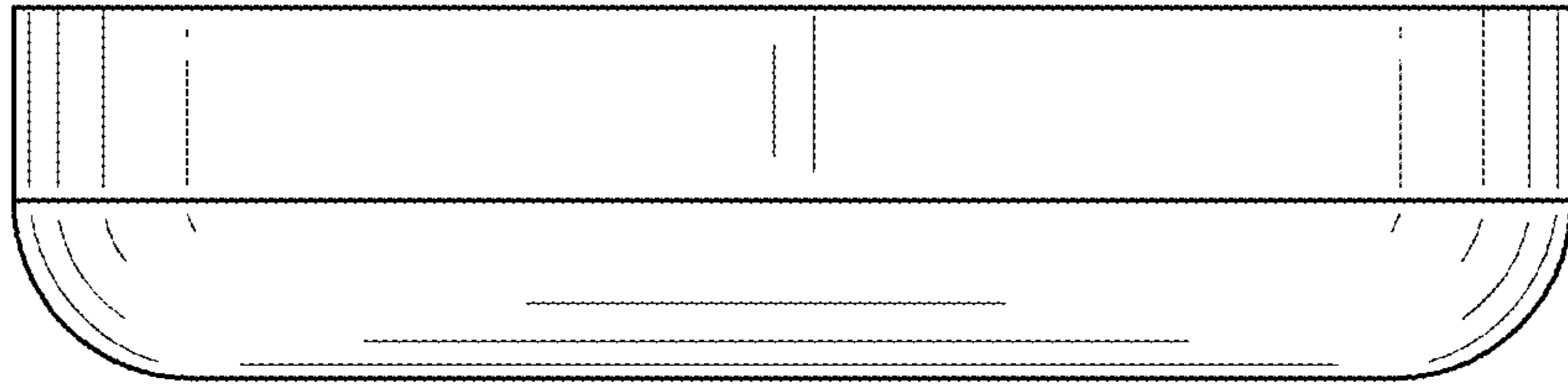


FIG. 21

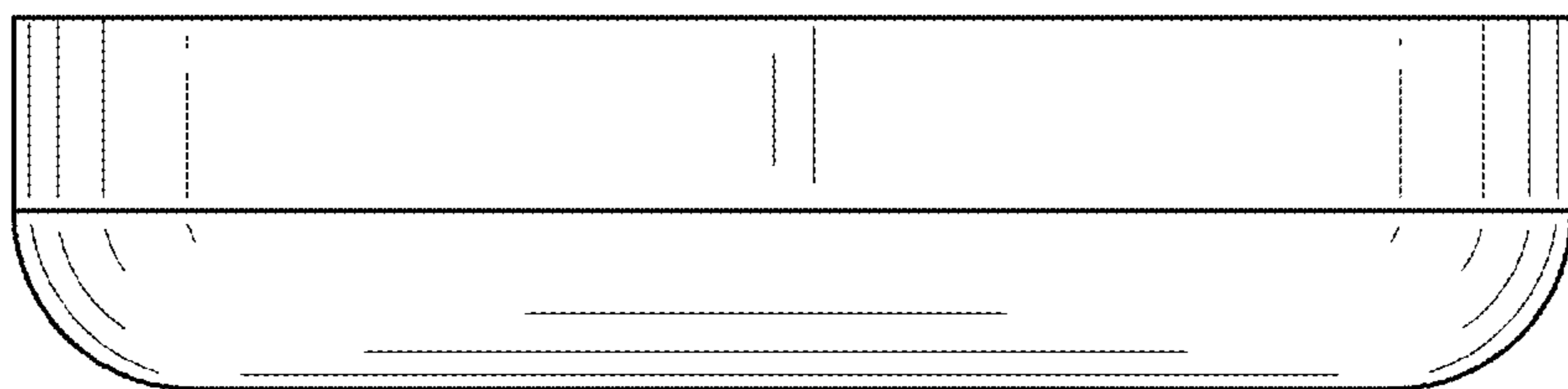


FIG. 22

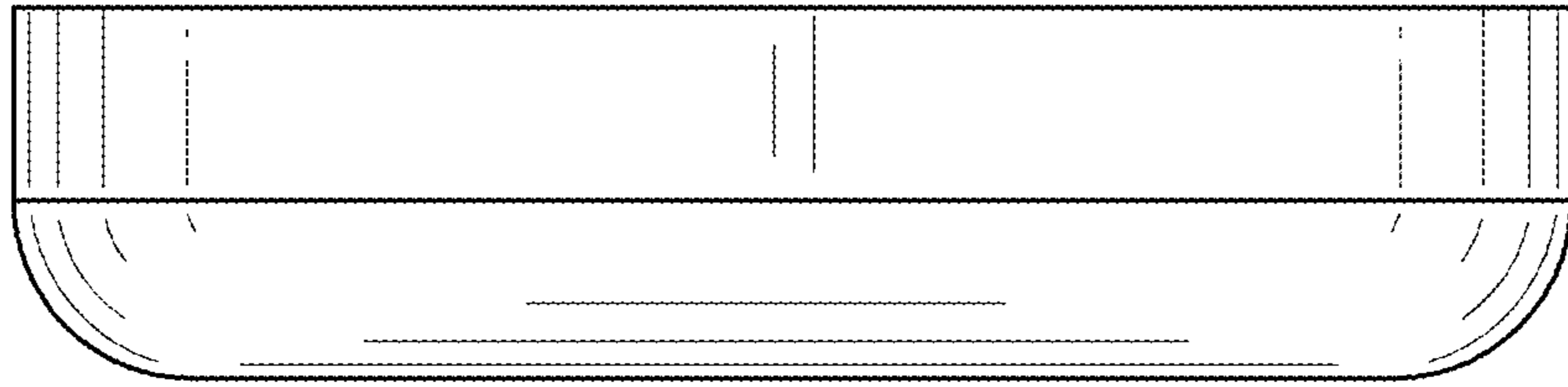


FIG. 23

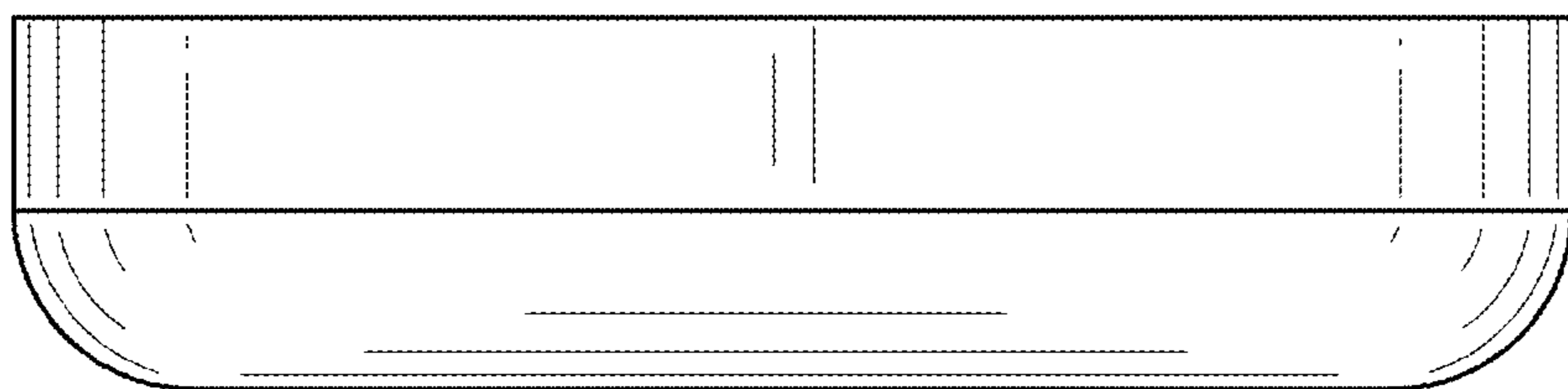


FIG. 24

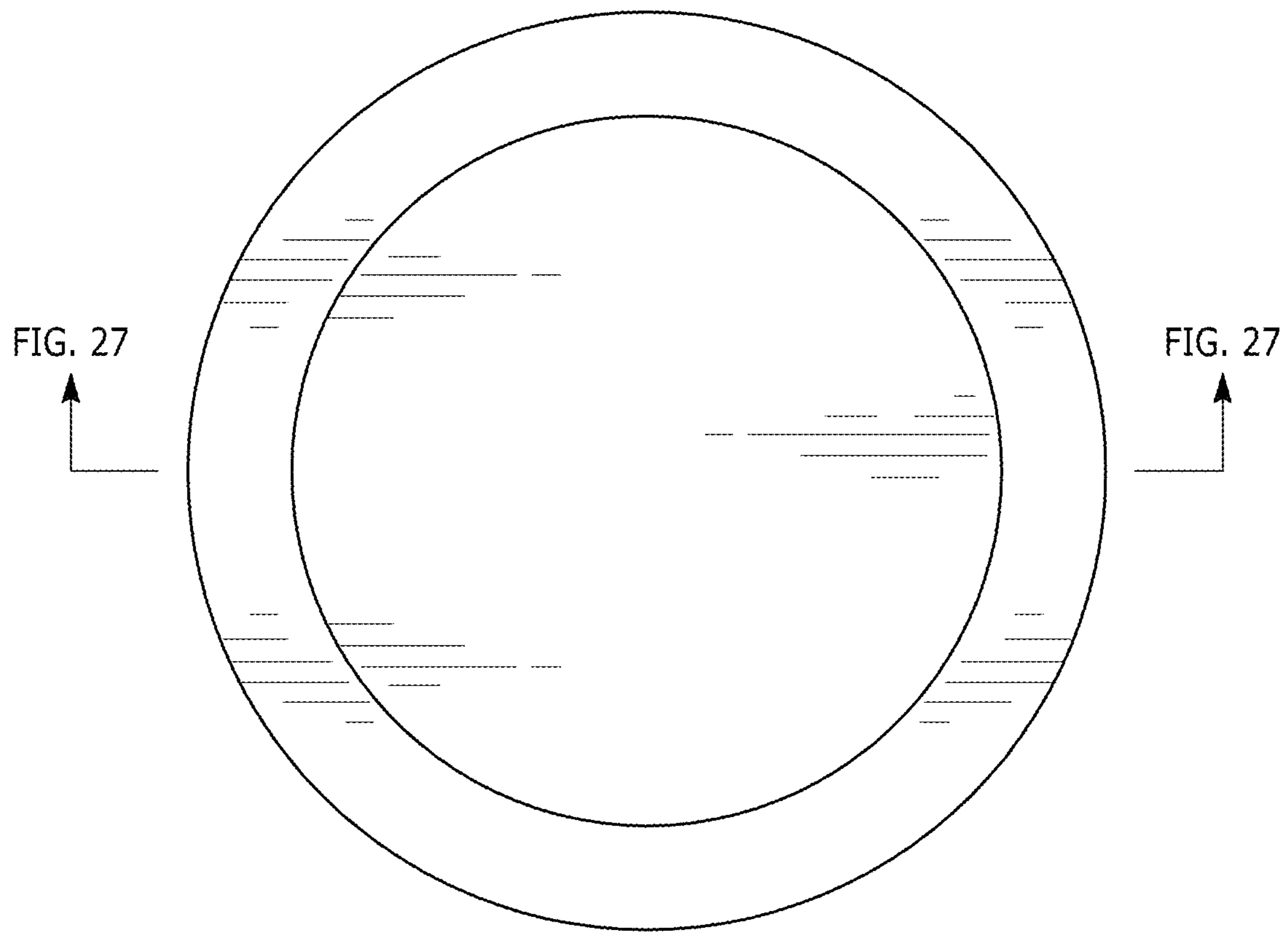


FIG. 25

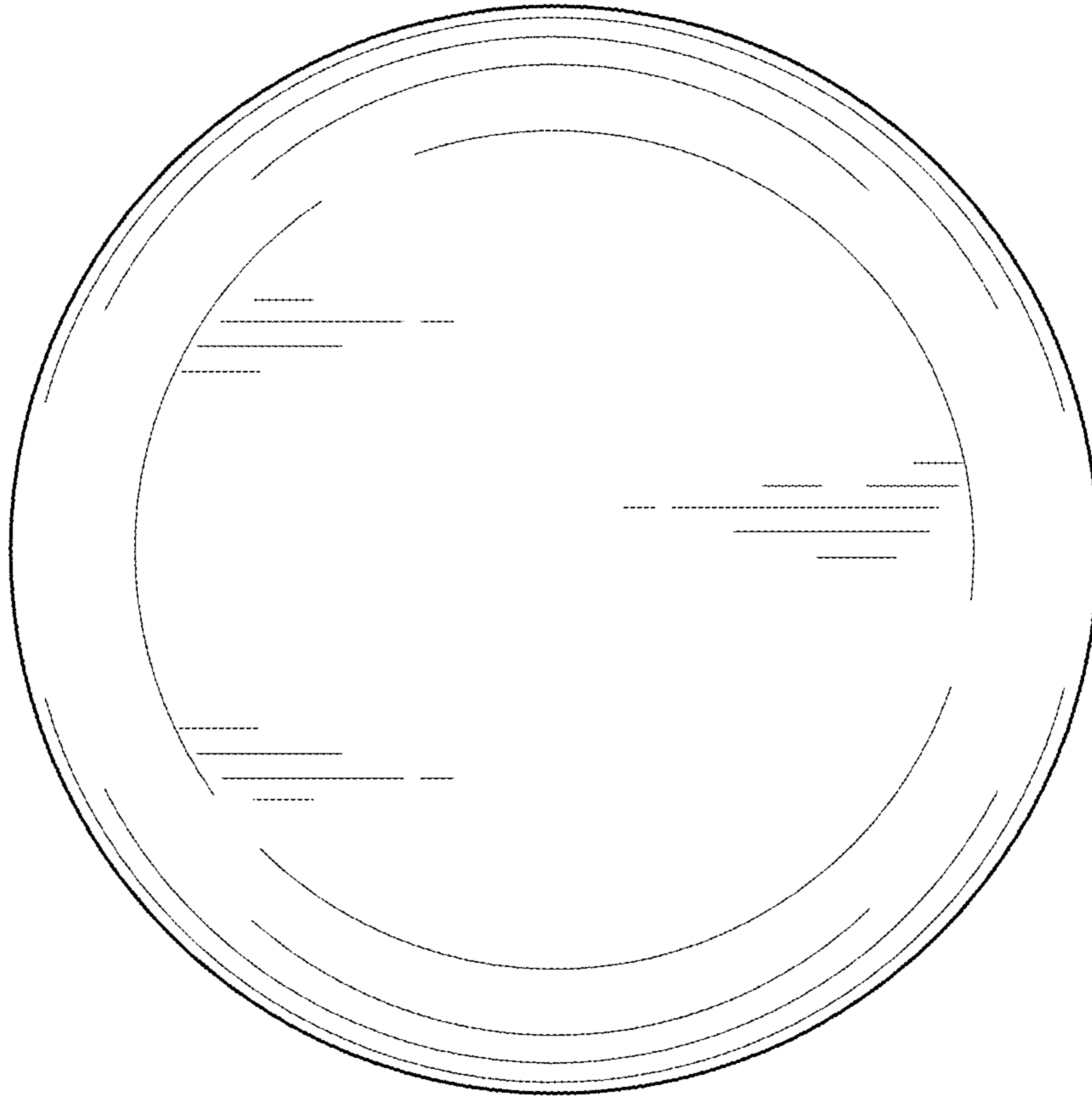


FIG. 26

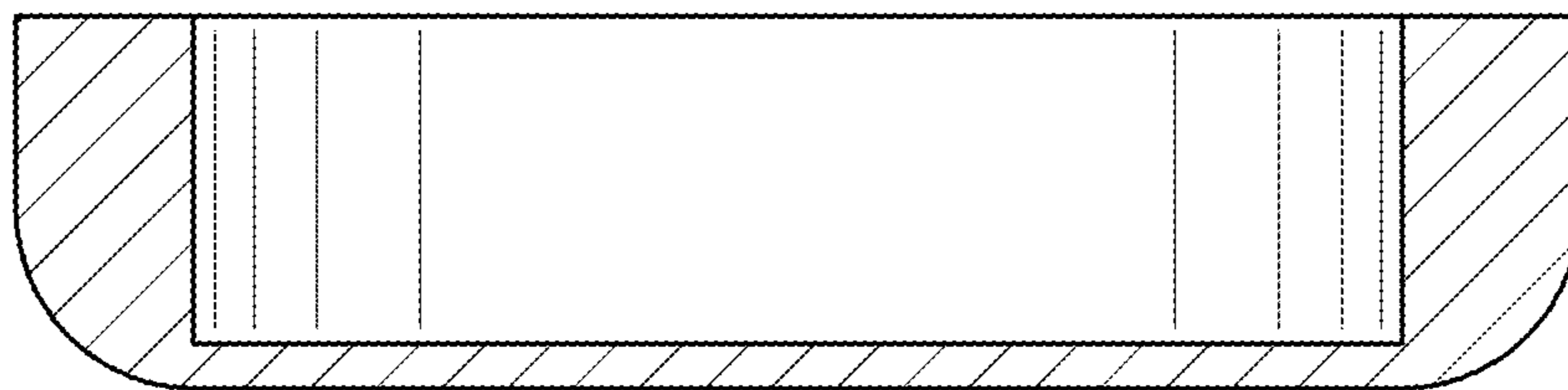


FIG. 27