



US00D945110S

(12) **United States Design Patent** (10) **Patent No.:** **US D945,110 S**
Rathke (45) **Date of Patent:** **** Mar. 1, 2022**

(54) **ELECTRIC DOCKING STATION FOR ELECTRIC NONWIRELESS REMOTE CONTROL FOR HOIST**

(71) Applicant: **V. Guldmann A/S**, Aarhus N (DK)

(72) Inventor: **Morten Rathke**, Sptrup (DE)

(**) Term: **15 Years**

(21) Appl. No.: **35/508,982**

(22) Filed: **Apr. 12, 2019**

(80) **Hague Agreement Data**

Int. Filing Date: **Apr. 12, 2019**

Int. Reg. No.: **DM/206665**

Int. Reg. Date: **Apr. 12, 2019**

Int. Reg. Pub. Date: **Apr. 3, 2020**

(51) **LOC (13) Cl.** **12-05**

(52) **U.S. Cl.**
USPC **D34/35**

(58) **Field of Classification Search**

USPC D34/35, 33, 34; D14/217, 247, 388, 415, D14/443

CPC E21B 19/22; E21B 43/26; E21B 43/2607; E21B 15/00; E21B 15/02; E21B 17/02; E21B 17/026; E21B 17/20; E21B 17/206; E21B 19/006; E21B 19/008; E21B 19/02; E21B 19/08; E21B 19/09; E21B 19/146; E21B 19/16; E21B 19/161; E21B 23/14; E21B 29/04; E21B 31/005; E21B 33/0407; E21B 36/00; E21B 36/04; E21B 3/02; E21B 41/00; E21B 41/0007; E21B 43/017; E21B 43/0175; E21B 43/2401; E21B 47/00; E21B 47/01; E21B 47/07

See application file for complete search history.

(56) **References Cited**

U.S. PATENT DOCUMENTS

D605,174 S * 12/2009 Andre D14/217
D605,633 S * 12/2009 Andre D14/217
D673,618 S * 1/2013 Harper D21/333
D689,041 S * 9/2013 Hampf D14/217
D689,465 S * 9/2013 Hampf D14/217
D847,787 S * 5/2019 Weirun D14/217
D910,959 S * 2/2021 Layne B65G 39/18
D910,962 S * 2/2021 Franta D34/29
D916,421 S * 4/2021 Niebuhr B60K 37/00
D925,156 S * 7/2021 Nash D34/35

* cited by examiner

Primary Examiner — Khawaja Anwar

(57) **CLAIM**

The ornamental design for an electric docking station for electric non-wireless remote control for hoist, as shown and described.

DESCRIPTION

1. Electric docking station for electric non-wireless remote control for hoist

FIG. 1.1 is a perspective view of an electric docking station for electric non-wireless remote control for hoist, showing my new design;

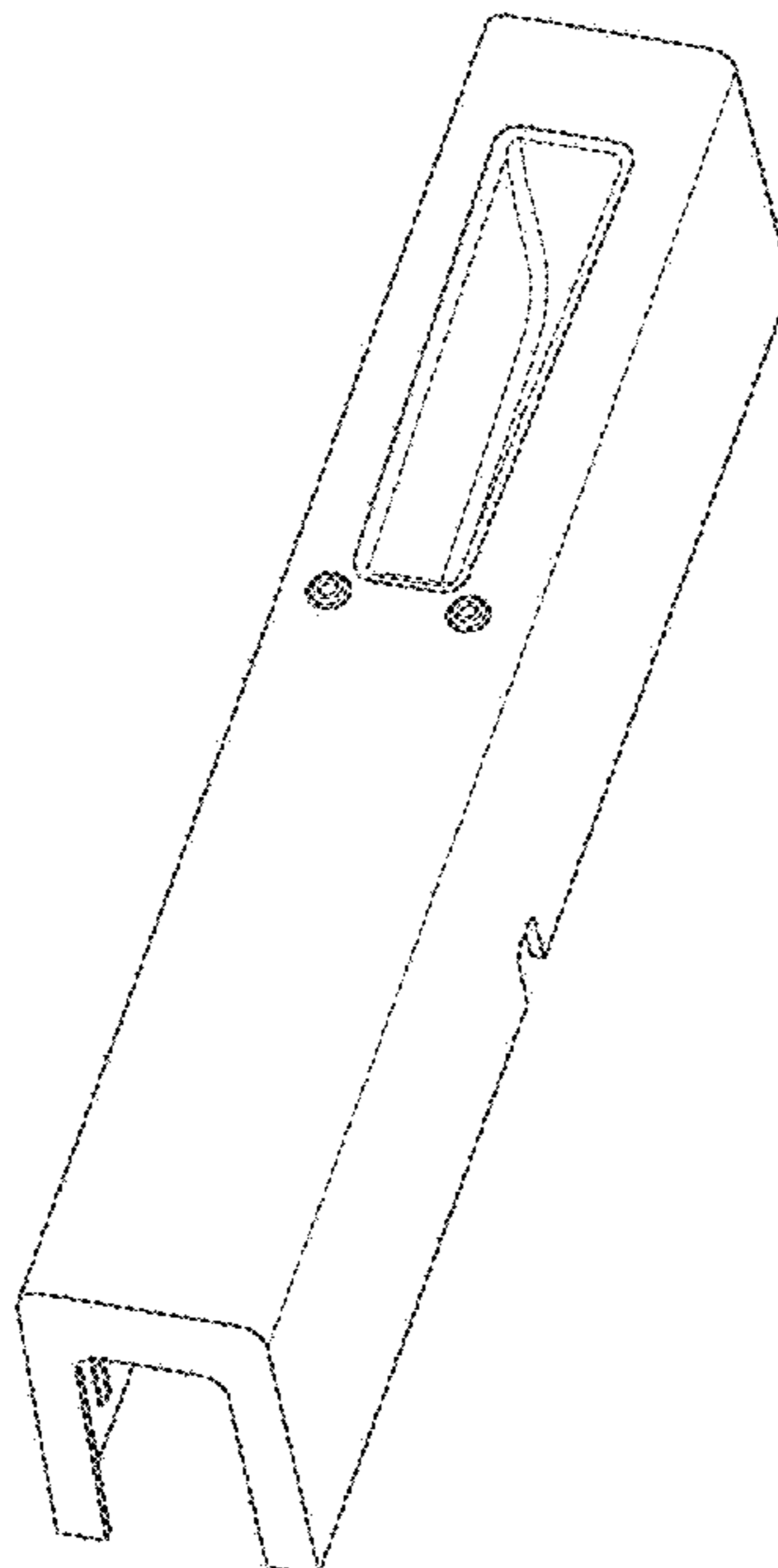
1.2 : Right

1.3 : Left

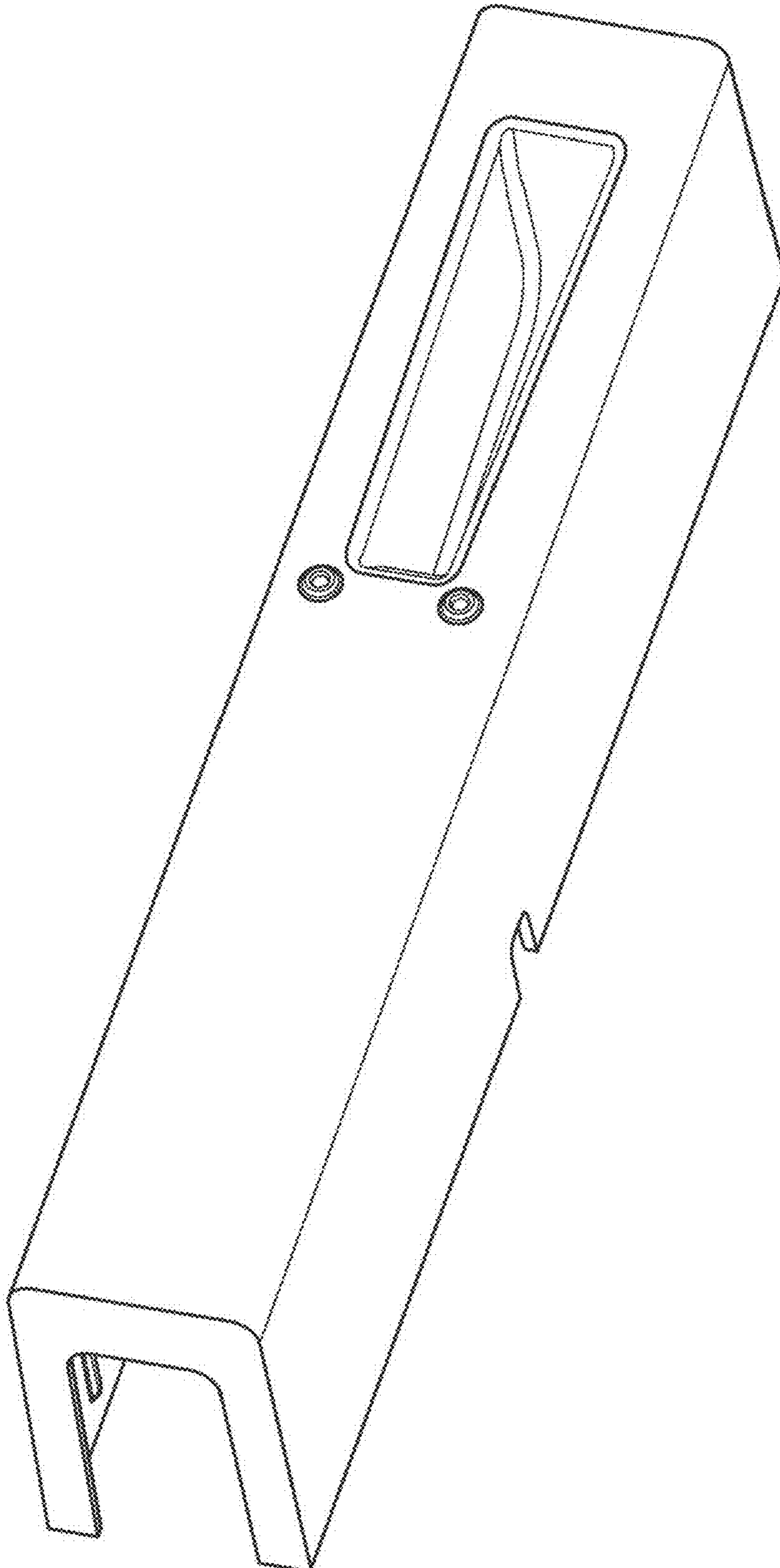
1.4 : Back

The broken lines in Fig. 1.4 depict portions of the electric docking station for electric nonwireless remote control for hoist that form no part of the claimed design.

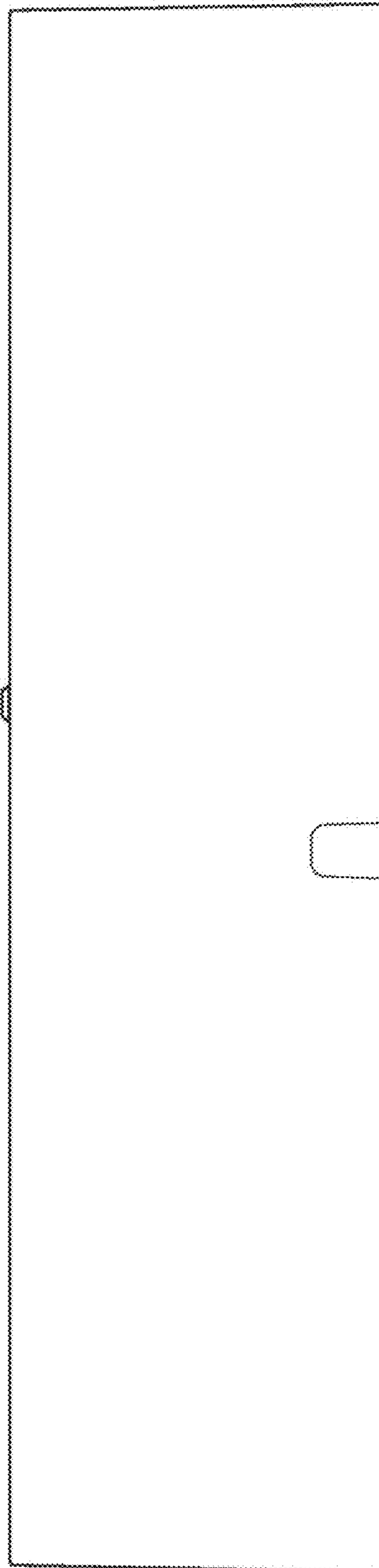
1 Claim, 4 Drawing Sheets



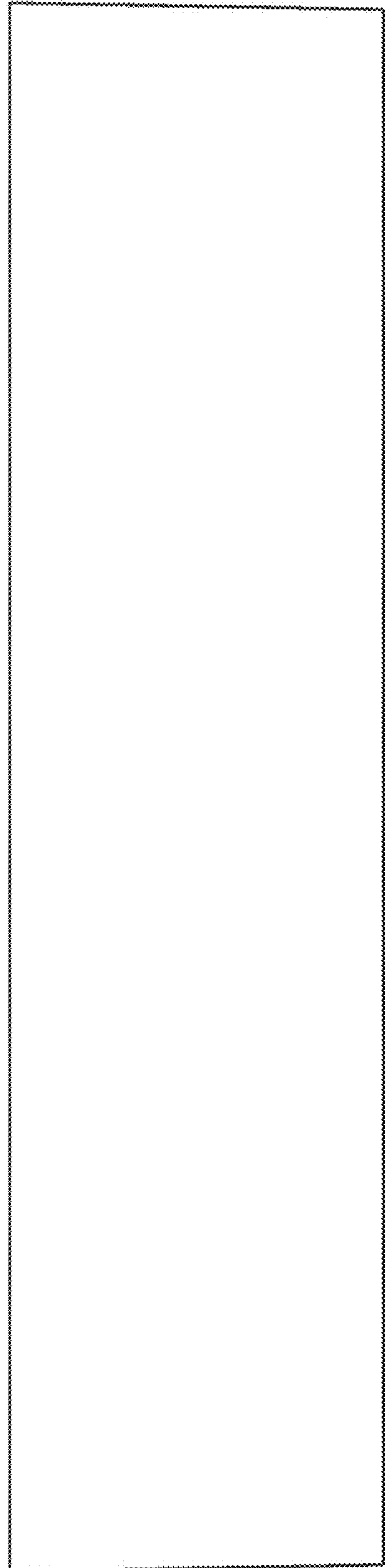
1.1



1.2



1.3



1.4

