



US00D945108S

(12) **United States Design Patent** (10) **Patent No.:** **US D945,108 S**
Walker et al. (45) **Date of Patent:** **** Mar. 1, 2022**

(54) **SHOPPING CART HANDLE COVER**

6,869,085 B2 3/2005 Pettigrew
D521,207 S * 5/2006 Anderson B62B 5/069
D34/27

(71) Applicants: **Gina Walker**, Manahawkin, NJ (US);
Andrew Walker, Manahawkin, NJ
(US); **Kelli Hannah**, Manahawkin, NJ
(US)

7,163,211 B2 1/2007 Alvarez
7,281,718 B2 10/2007 Malchow
7,568,707 B2 8/2009 Kolpien
(Continued)

(72) Inventors: **Gina Walker**, Manahawkin, NJ (US);
Andrew Walker, Manahawkin, NJ
(US); **Kelli Hannah**, Manahawkin, NJ
(US)

FOREIGN PATENT DOCUMENTS

CN 109131470 A 1/2019
DE 202007002422 U1 4/2007
(Continued)

(**) Term: **15 Years**

OTHER PUBLICATIONS

(21) Appl. No.: **29/733,441**

Google search Oct. 13, 2021, Etsy.com, shopping cart handle cover,
<https://www.etsy.com/listing/813837963/shopping-cart-handle-cover-coupon-tote>, (Year: 2021).*

(22) Filed: **May 1, 2020**

(51) **LOC (13) Cl.** **12-02**

(52) **U.S. Cl.**
USPC **D34/27**

Primary Examiner — Cynthia Ramirez
(74) *Attorney, Agent, or Firm* — Gearhart Law LLC

(58) **Field of Classification Search**
USPC D34/27; D21/694; D25/199
CPC B62B 3/144; B62B 3/146; B62B 7/04;
B62B 7/006; B62B 7/008; B62B 7/145;
B62B 5/069; A47C 27/00
See application file for complete search history.

(57) **CLAIM**

The ornamental design for a shopping cart handle cover, as shown and described.

DESCRIPTION

(56) **References Cited**

U.S. PATENT DOCUMENTS

4,805,937 A * 2/1989 Boucher B62B 3/144
224/411
D370,110 S 5/1996 Beam
5,700,053 A * 12/1997 Downing A47C 31/11
297/227
5,715,571 A 2/1998 Fasano
5,722,672 A 3/1998 Frederick
5,829,832 A * 11/1998 Molee A47C 7/383
297/397
5,904,406 A * 5/1999 Stewart A47C 5/06
297/397
D416,368 S * 11/1999 Brewer D12/133
6,817,066 B1 11/2004 Williams

FIG. 1 is a perspective view of the shopping cart handle cover.

FIG. 2 is a front view thereof.

FIG. 3 is a back view thereof.

FIG. 4 is a left side view thereof.

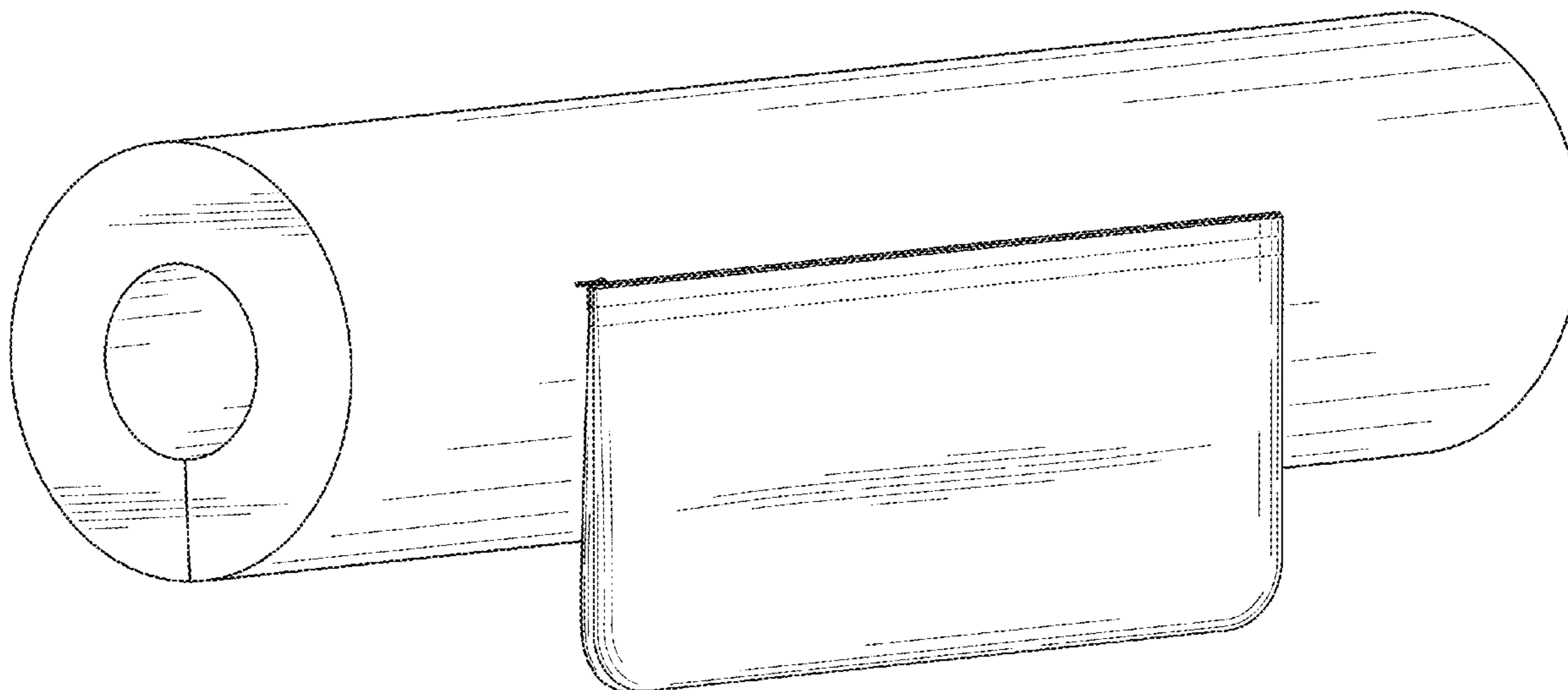
FIG. 5 is a right side view thereof.

FIG. 6 is a top view thereof; and,

FIG. 7 is a bottom view thereof.

The broken lines shown in FIGS. 1, 2, 4, and 5 show stitching and form no part of the claimed design. The darker broken lines in FIG. 6 show a zipper and form no part of the claimed design.

1 Claim, 6 Drawing Sheets



(56)

References Cited

U.S. PATENT DOCUMENTS

7,611,156 B2 11/2009 Dunser
 D635,733 S 4/2011 Willig
 8,109,524 B1 2/2012 Toohey
 8,714,215 B2 5/2014 Badgley
 D707,009 S * 6/2014 Walter D34/27
 8,807,578 B1 8/2014 Huguley
 8,875,351 B1 11/2014 Williams
 D732,260 S * 6/2015 Wiley D34/27
 D743,663 S * 11/2015 Hoffheimer D34/27
 D746,531 S 12/2015 Barclift
 9,452,905 B2 9/2016 Muderlak
 D779,688 S * 2/2017 Gourley D25/199
 D783,315 S * 4/2017 Gourley D6/611
 9,676,406 B1 6/2017 Kocurek
 D813,487 S 3/2018 Eskridge
 10,173,707 B2 1/2019 Trumbo
 10,806,987 B2 * 10/2020 Burns A63B 71/0054
 D905,370 S * 12/2020 Poirier D34/27
 2003/0155727 A1 8/2003 Pettigrew
 2004/0021279 A1 2/2004 Sobo
 2004/0189066 A1 9/2004 Beaty
 2005/0028637 A1 2/2005 Coty
 2005/0206104 A1 9/2005 Pettigrew
 2005/0218612 A1 10/2005 Malchow
 2006/0082085 A1 4/2006 Alvarez
 2006/0202438 A1 9/2006 Helmy

2007/0126193 A1 * 6/2007 Hess B62B 5/06
 280/33.992
 2007/0267828 A1 11/2007 Egizi
 2008/0001371 A1 1/2008 Rabiea
 2008/0190527 A1 8/2008 Guercia
 2008/0191434 A1 8/2008 Herron
 2008/0191435 A1 8/2008 Guercia
 2008/0258528 A1 10/2008 Bush
 2008/0303230 A1 12/2008 Somberg
 2010/0236674 A1 9/2010 Badgley
 2011/0148056 A1 6/2011 Niernberger
 2011/0285098 A1 11/2011 Fragale
 2012/0067474 A1 3/2012 Fellema
 2012/0240307 A1 * 9/2012 Terrell B62B 5/069
 2/158
 2014/0263807 A1 9/2014 Muderlak
 2016/0046313 A1 2/2016 Landwehr
 2016/0200341 A1 7/2016 Hall
 2016/0288812 A1 10/2016 Bailey
 2017/0129521 A1 5/2017 Conroy
 2017/0291627 A1 10/2017 Grimmond-Schultz

FOREIGN PATENT DOCUMENTS

DE 202013006016 U1 8/2013
 JP 2013159335 A 8/2013
 WO 2003045756 A2 6/2003
 WO 2008097292 A1 8/2008

* cited by examiner

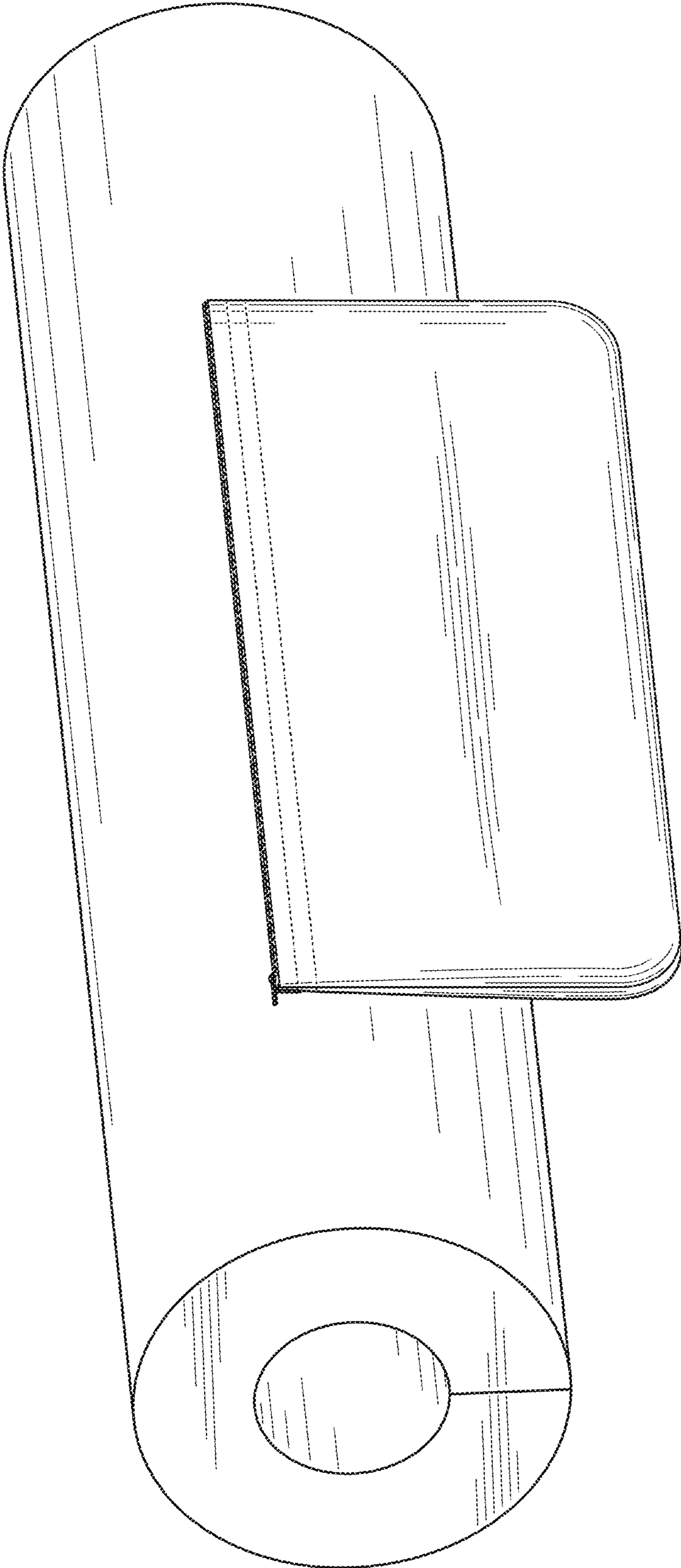


FIG. 1

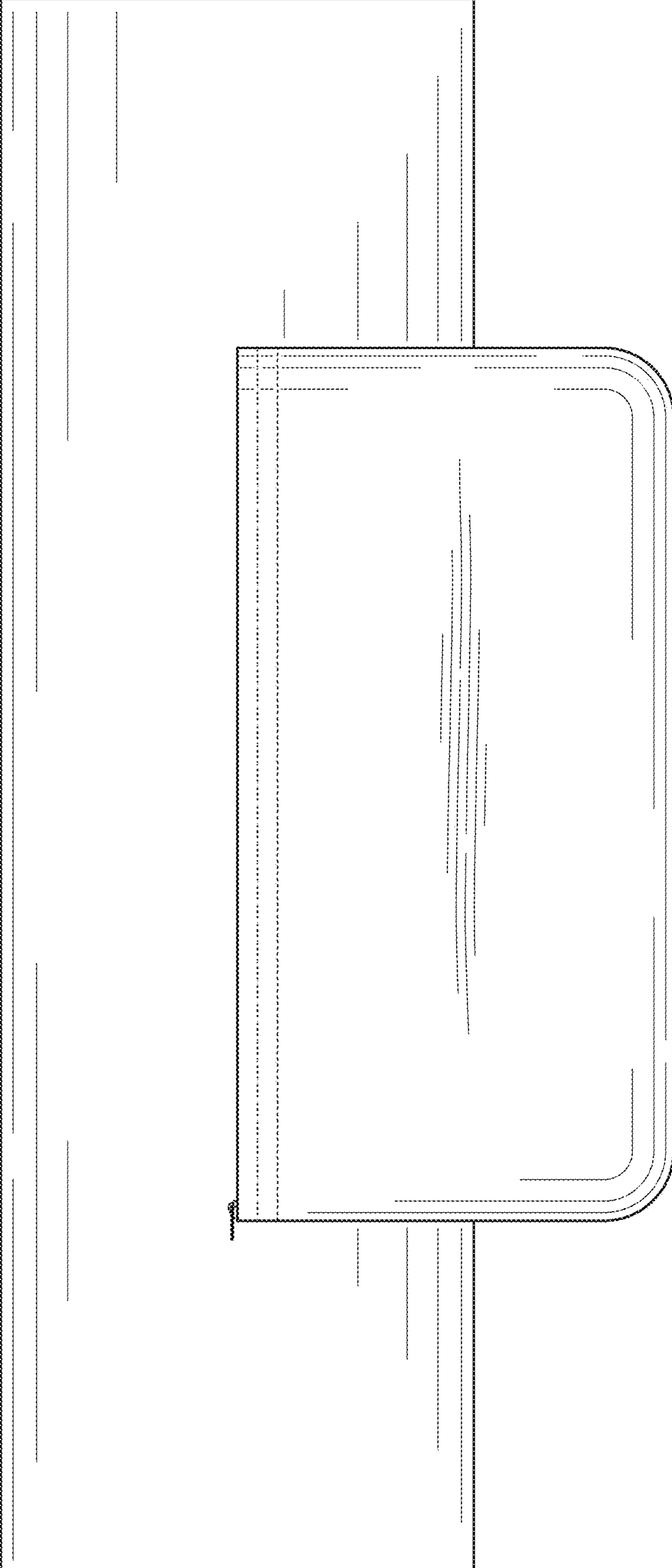


FIG. 2

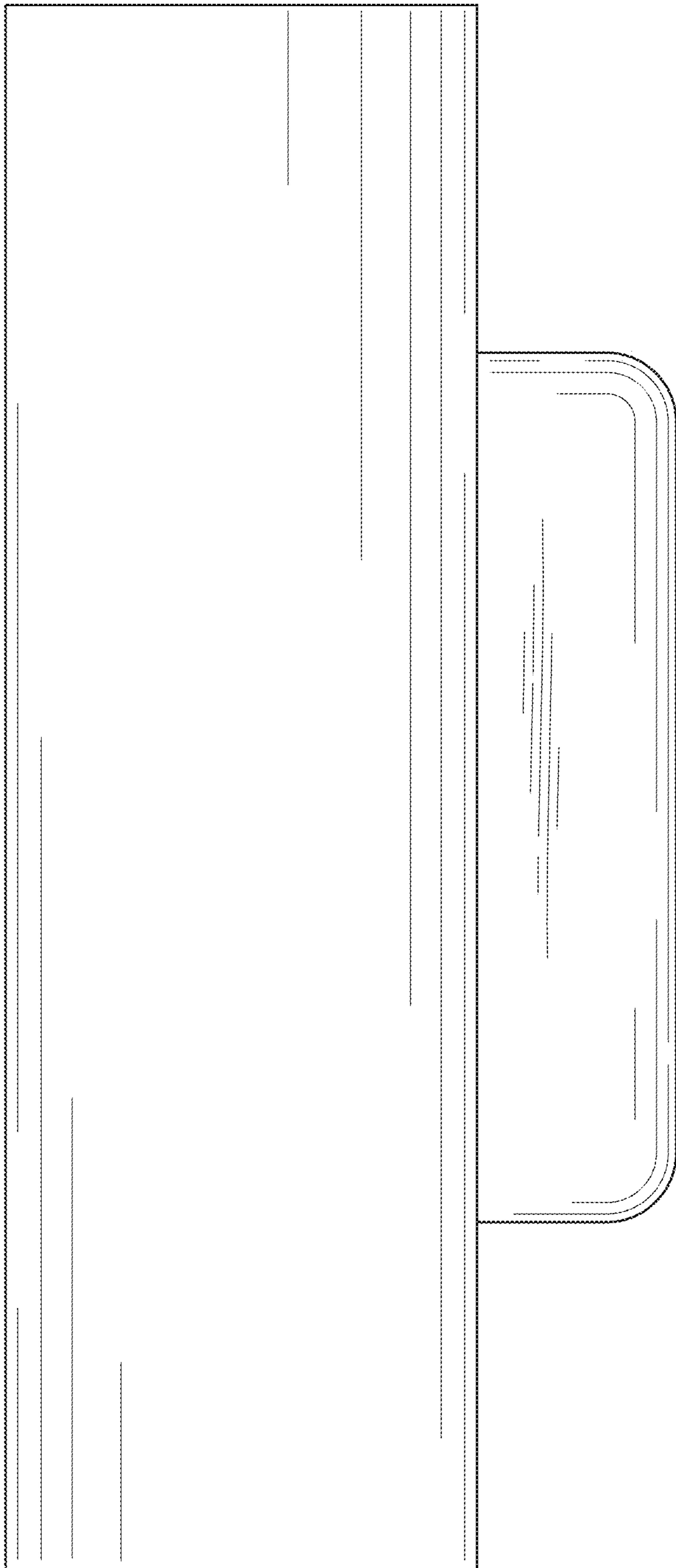


FIG. 3

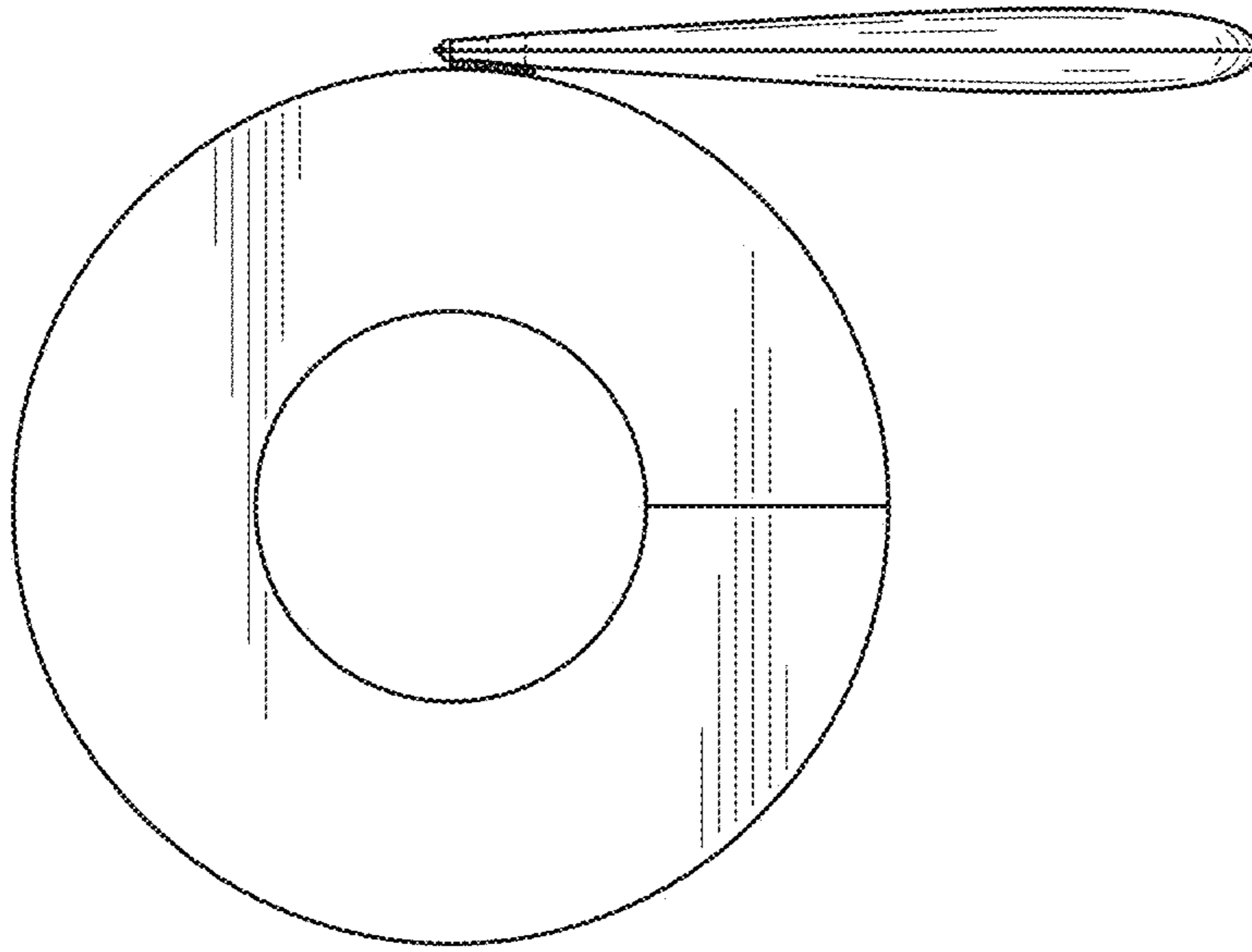


FIG. 5

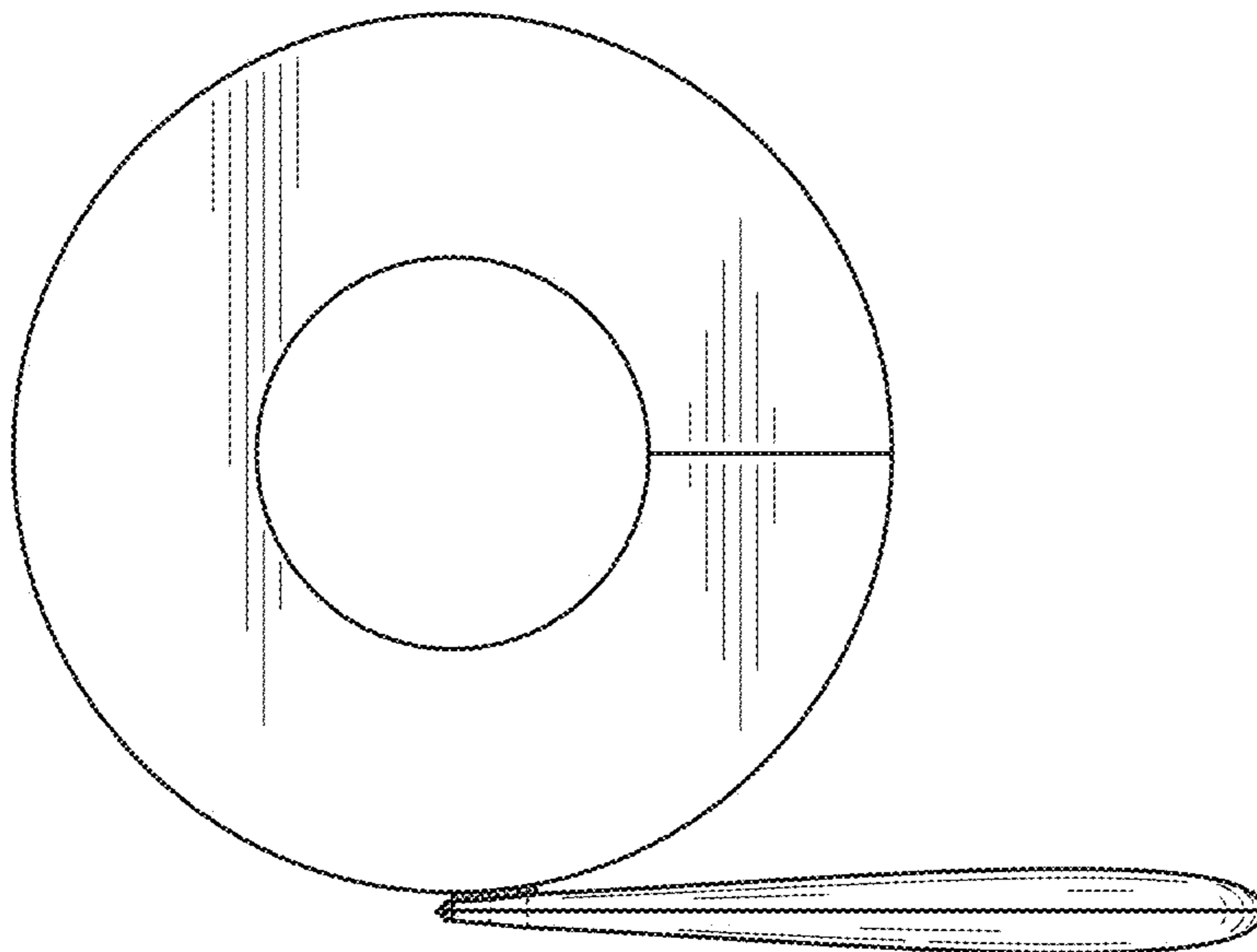


FIG. 4

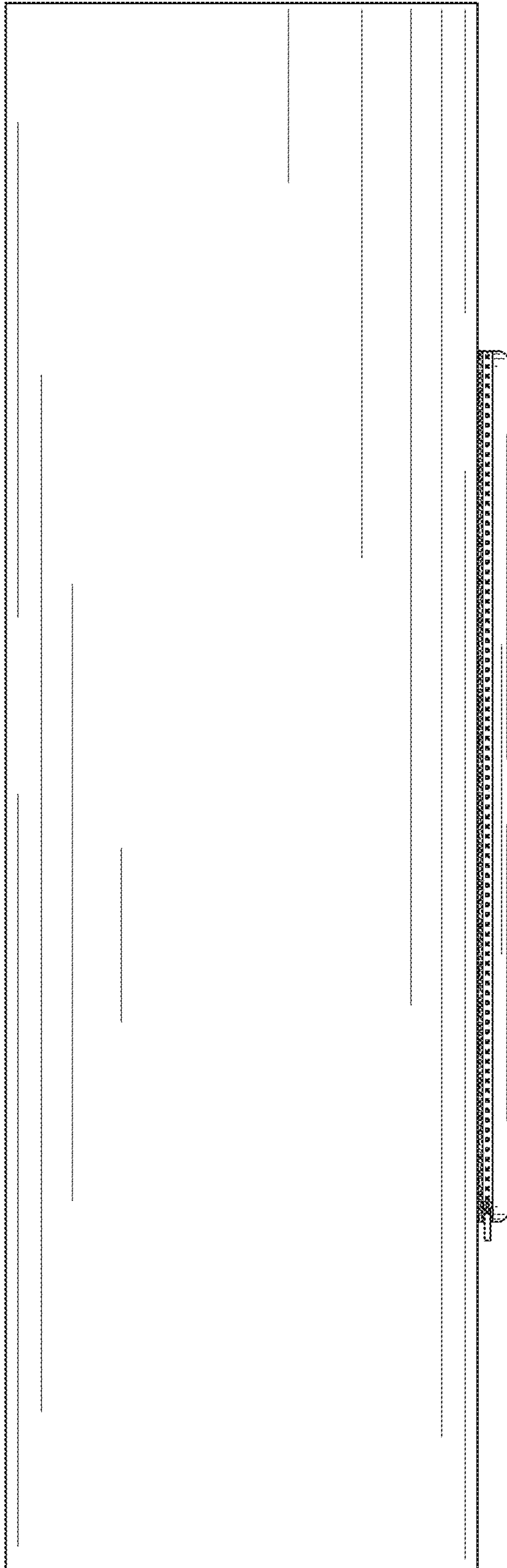


FIG. 6

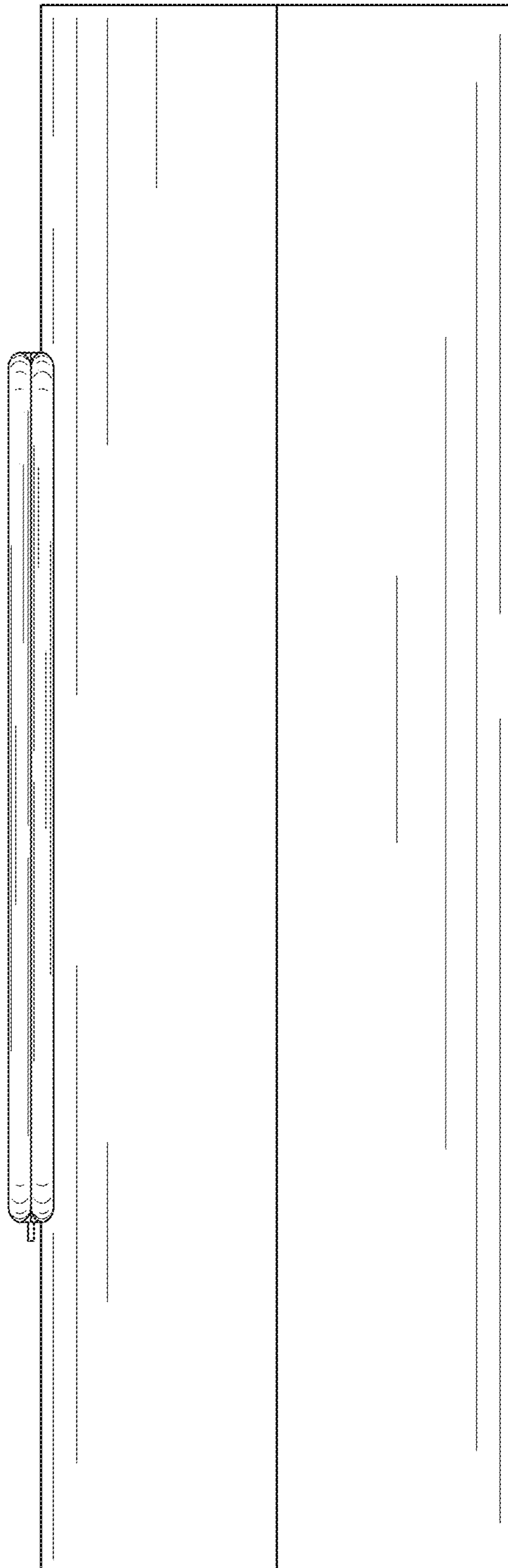


FIG. 7