



US00D945107S

(12) **United States Design Patent**  
**Villanova Abadia et al.**

(10) **Patent No.: US D945,107 S**  
(45) **Date of Patent: \*\* Mar. 1, 2022**

(54) **SHOPPING BASKETS**  
(71) Applicant: **ARAVEN, S.L.**, Saragossa (ES)  
(72) Inventors: **Javier Enrique Villanova Abadia**, Saragossa (ES); **Elena Esteban Guallar**, Saragossa (ES); **Blanca Savirón Cornudella**, Saragossa (ES); **Francisco Javier Aznar Peligero**, Saragossa (ES)

(73) Assignee: **ARAVEN, S.L.**, Saragossa (ES)

(\*\*) Term: **15 Years**

(21) Appl. No.: **29/738,285**

(22) Filed: **Jun. 16, 2020**

(30) **Foreign Application Priority Data**

Mar. 5, 2020 (EM) ..... 007732417

(51) **LOC (13) Cl.** ..... **12-02**

(52) **U.S. Cl.**  
USPC ..... **D34/24**

(58) **Field of Classification Search**  
USPC ..... D34/12, 14, 15, 17, 19, 20, 21, 24, 25  
CPC ..... B62B 1/112; B62B 1/006; B62B 1/262;  
B62B 1/264; B62B 1/14; B62B 3/00;  
B62B 3/02; B62B 3/002; B62B 3/14;  
B62B 3/12; B62B 3/005; B62B 1/12  
See application file for complete search history.

(56) **References Cited**

**U.S. PATENT DOCUMENTS**

D544,159 S \* 6/2007 McCoy ..... B62B 1/006  
D32/37  
D563,620 S \* 3/2008 Dong ..... D32/37

D631,222 S \* 1/2011 Gimeno ..... B62B 1/125  
D34/24  
D634,501 S \* 3/2011 Overland ..... D34/19  
D773,770 S \* 12/2016 Olmos ..... D34/17  
D802,925 S \* 11/2017 Cassel ..... D3/304  
D805,709 S \* 12/2017 Olmos ..... D34/17  
D846,823 S \* 4/2019 Villanova Abadia ..... D34/17  
D929,065 S \* 8/2021 Gasche ..... D34/17  
2006/0103087 A1 \* 5/2006 Alcala Sebastian .... B62B 1/006  
280/47.26  
2008/0309036 A1 \* 12/2008 Overland ..... A45C 3/04  
280/33.992  
2010/0230916 A1 \* 9/2010 Gimeno Verdejo ..... B62B 3/16  
280/33.998  
2012/0326405 A1 \* 12/2012 Overland ..... B62B 1/125  
280/33.998  
2015/0321688 A1 \* 11/2015 Morcillo Barjola .... B62B 5/067  
280/33.998

\* cited by examiner

*Primary Examiner* — Cynthia Ramirez

(74) *Attorney, Agent, or Firm* — Amster, Rothstein & Ebenstein LLP

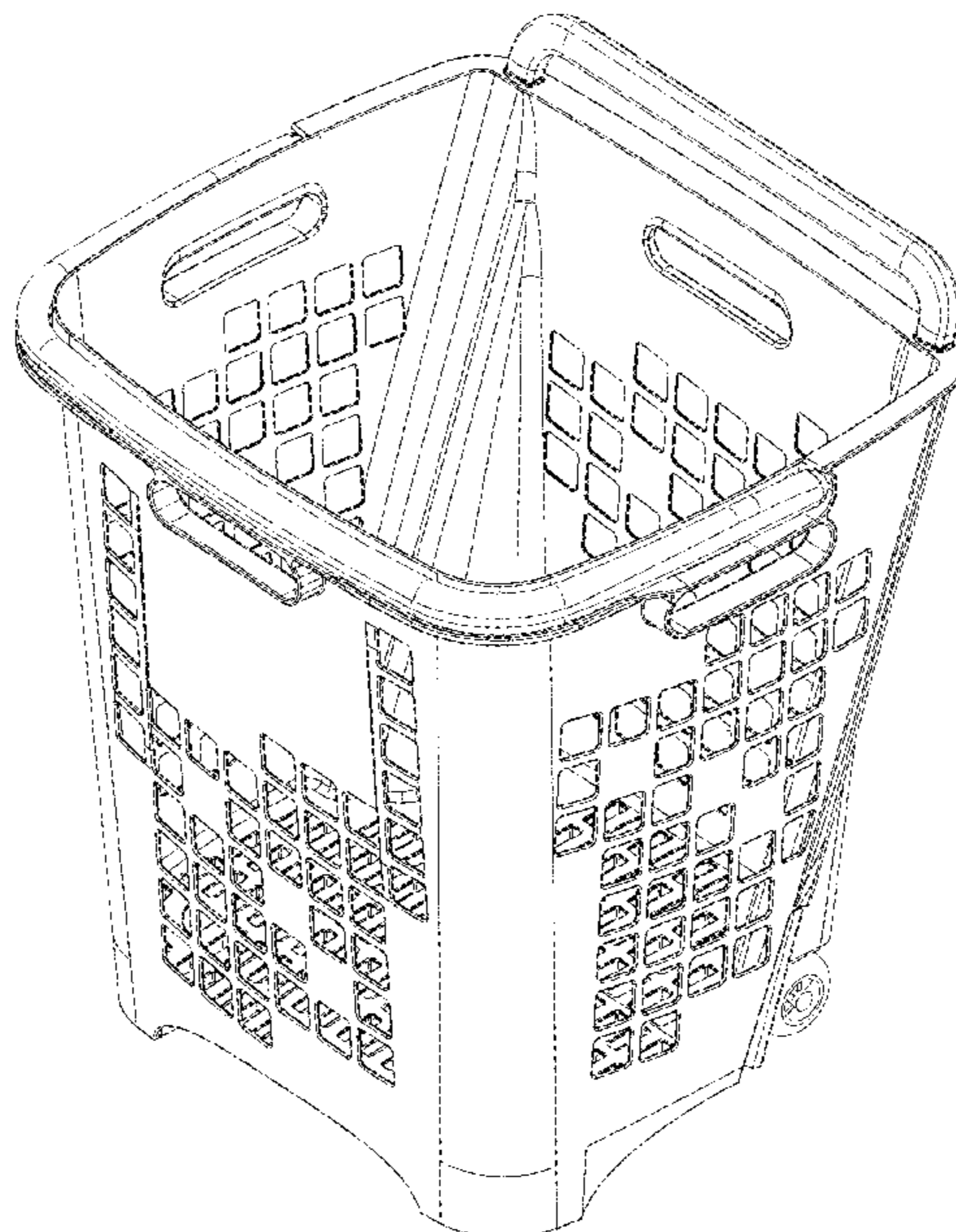
(57) **CLAIM**

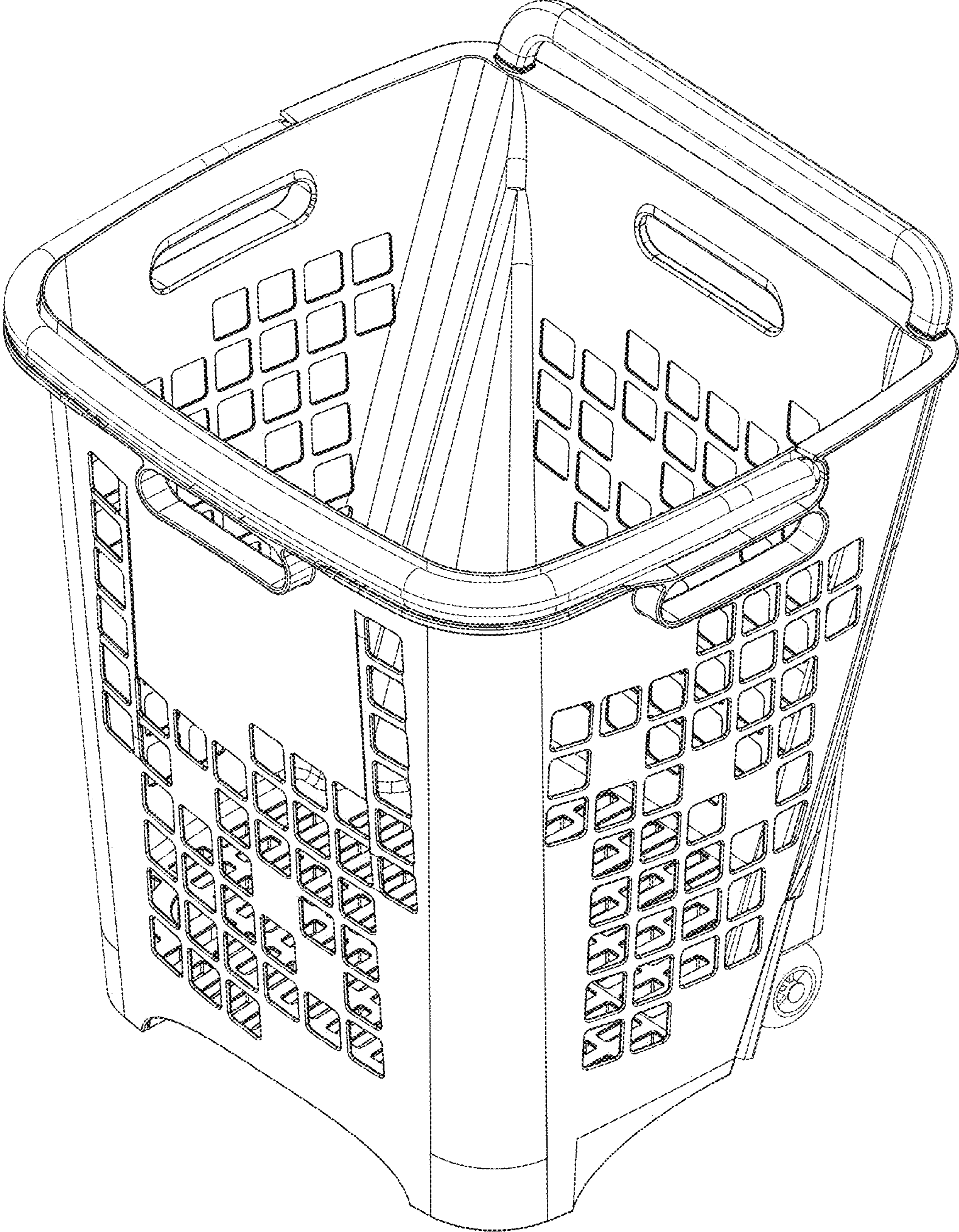
The ornamental design for a shopping basket, as shown and described.

**DESCRIPTION**

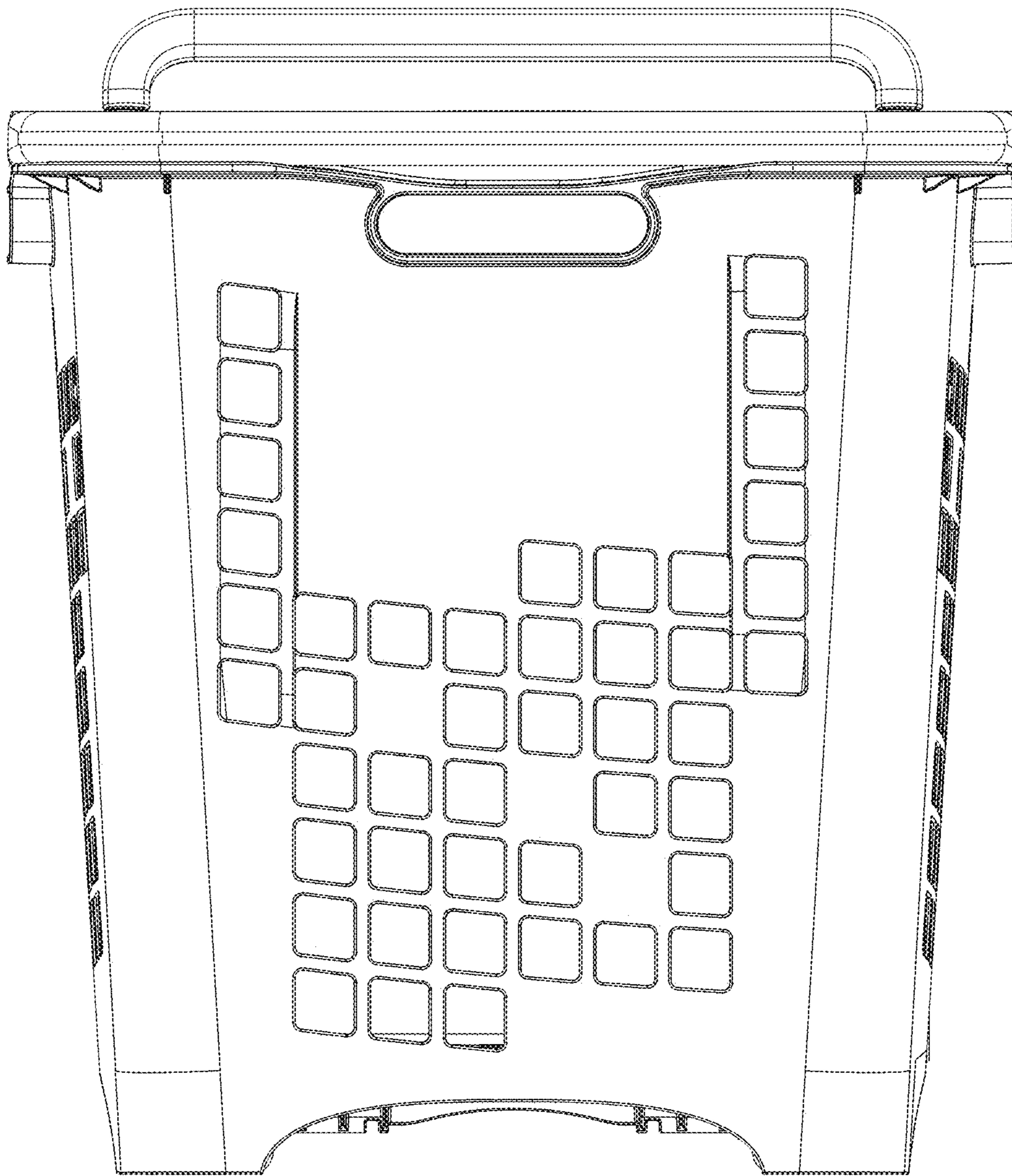
FIG. 1 is a top and front perspective view of a shopping basket showing our new design;  
FIG. 2 is a front view thereof;  
FIG. 3 is a top view thereof;  
FIG. 4 is a side view thereof;  
FIG. 5 is a rear view thereof;  
FIG. 6 is a bottom view thereof;  
FIG. 7 is an opposite side view thereof;  
FIG. 8 is a bottom and rear perspective view thereof; and,  
FIG. 9 is a bottom and front perspective view thereof.

**1 Claim, 9 Drawing Sheets**

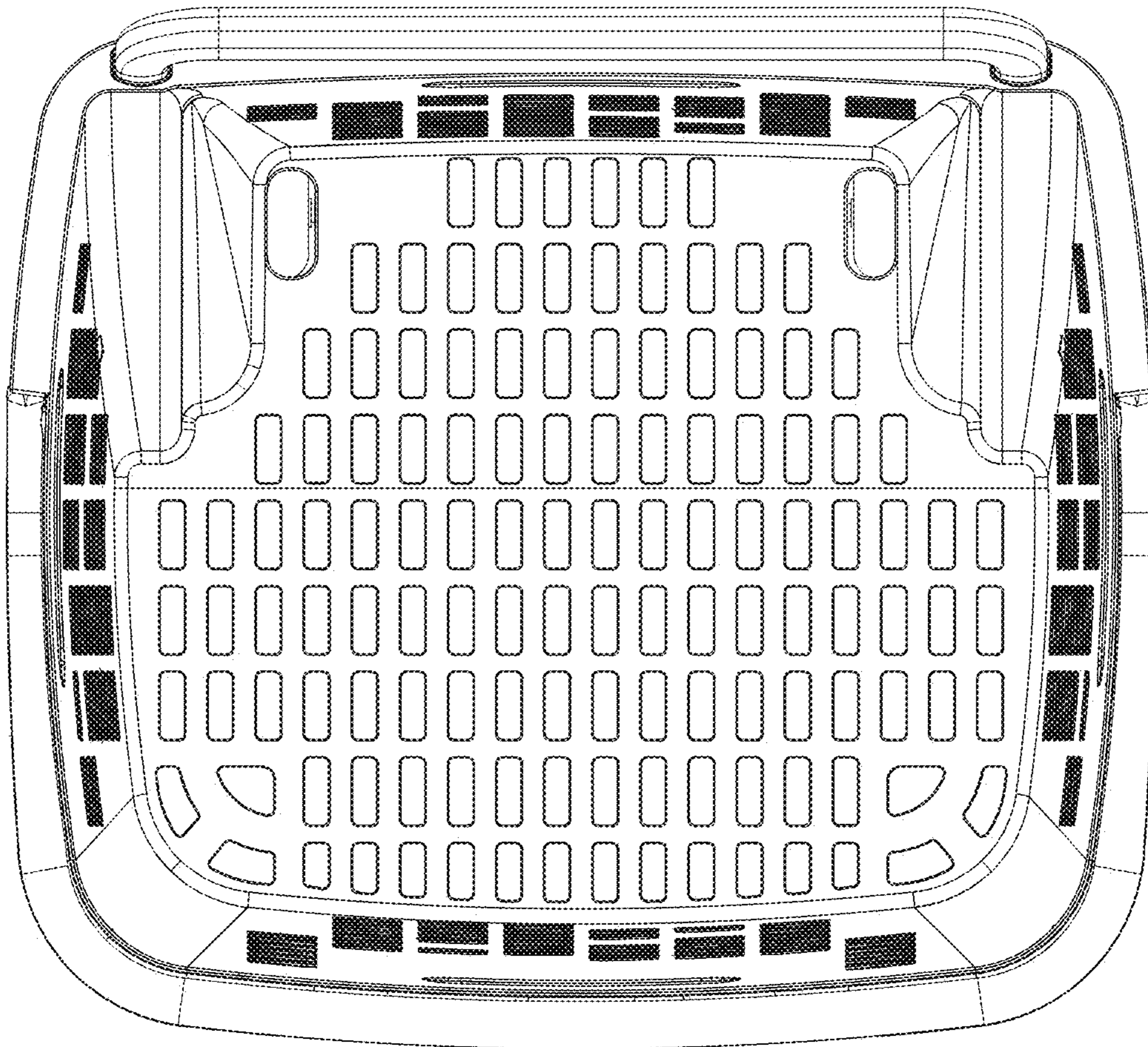




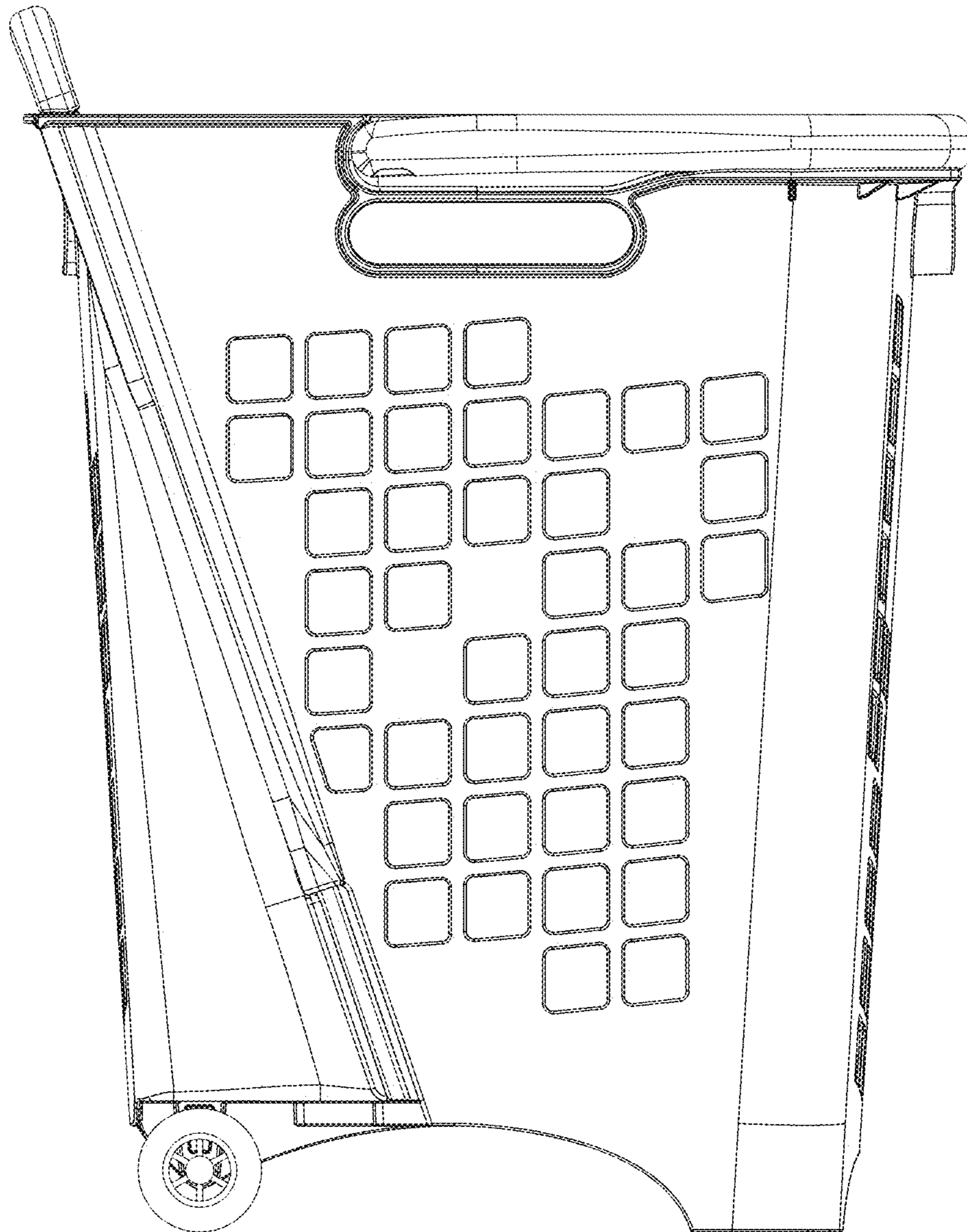
**FIG. 1**



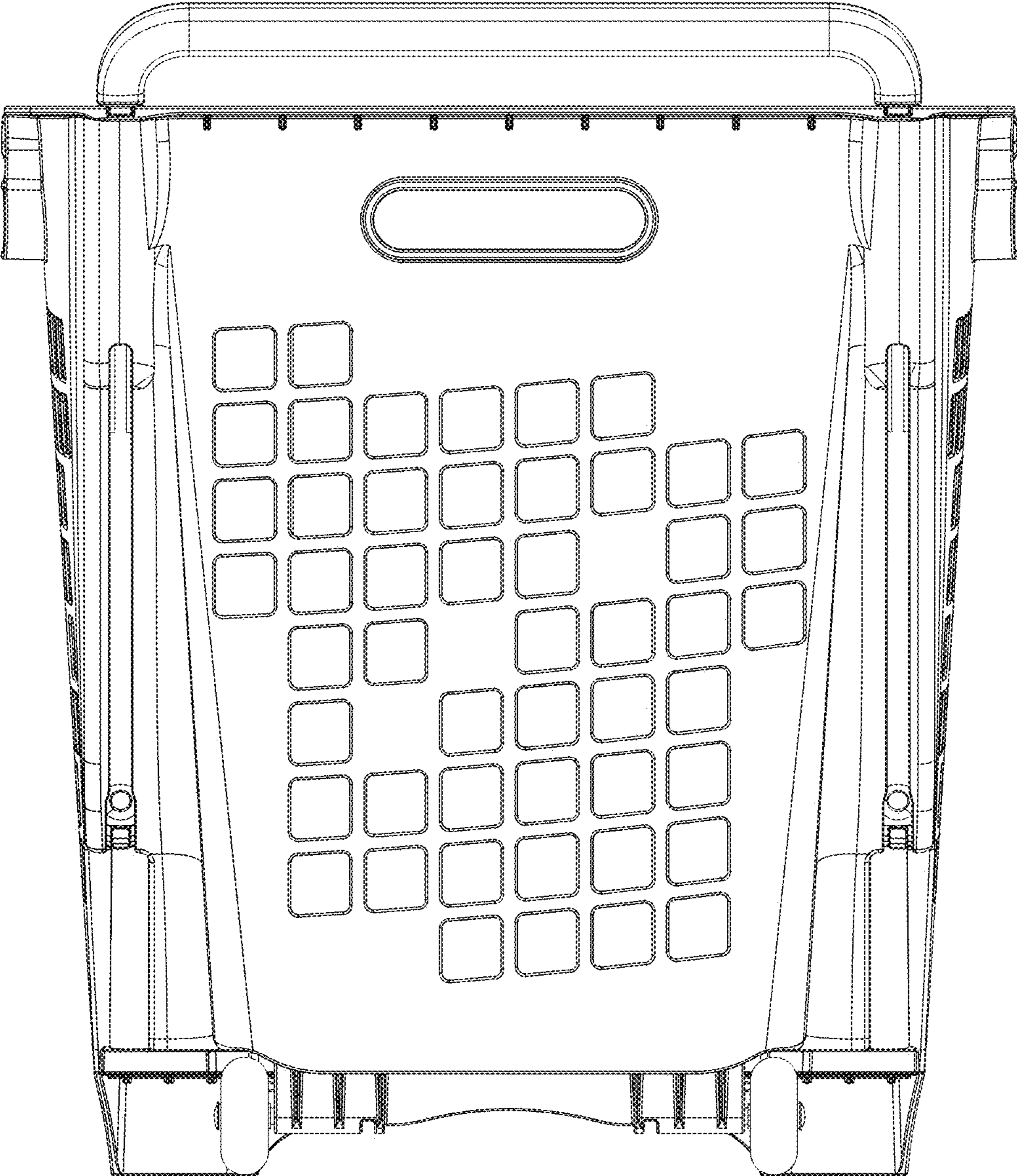
**FIG. 2**



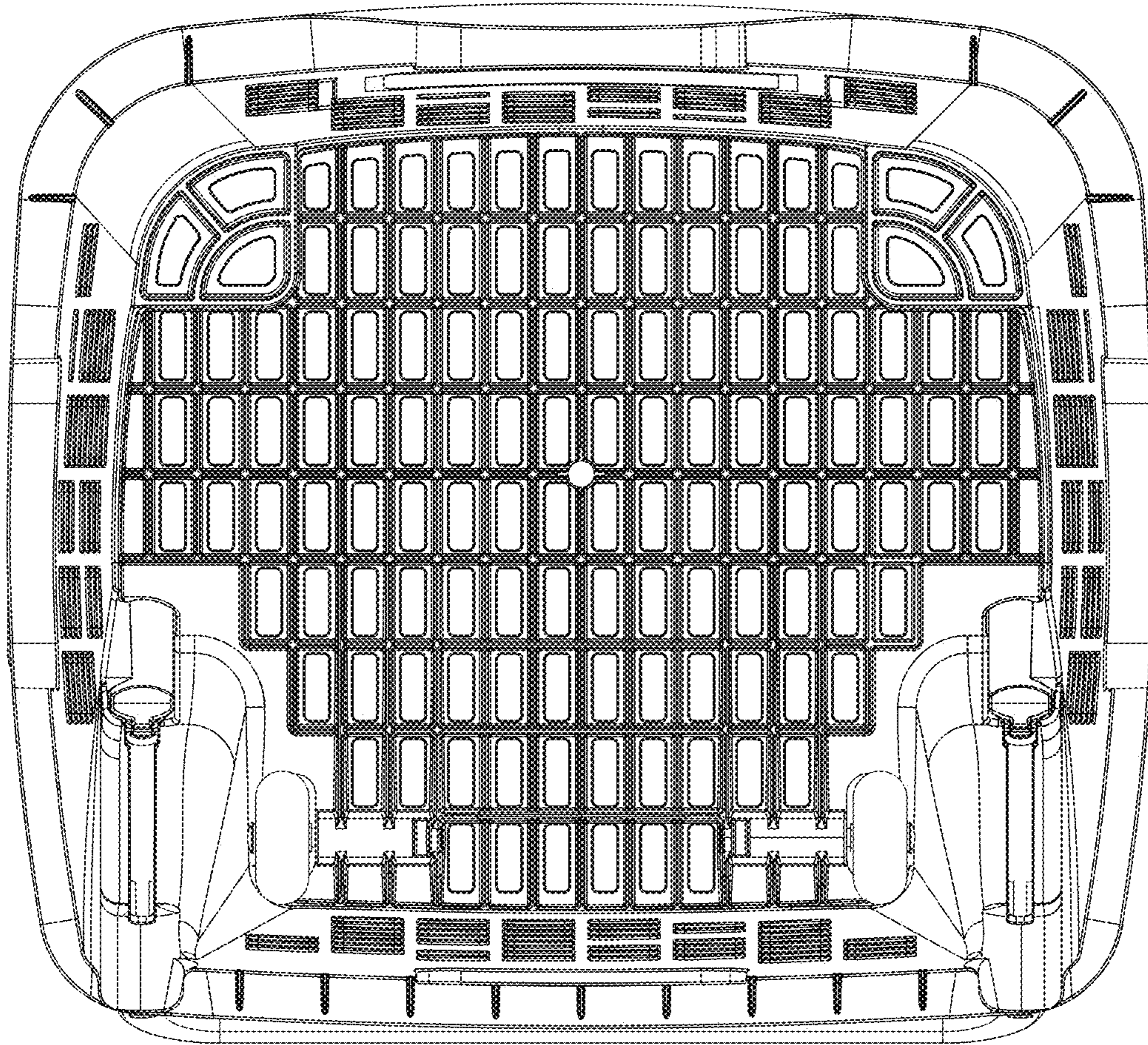
**FIG. 3**



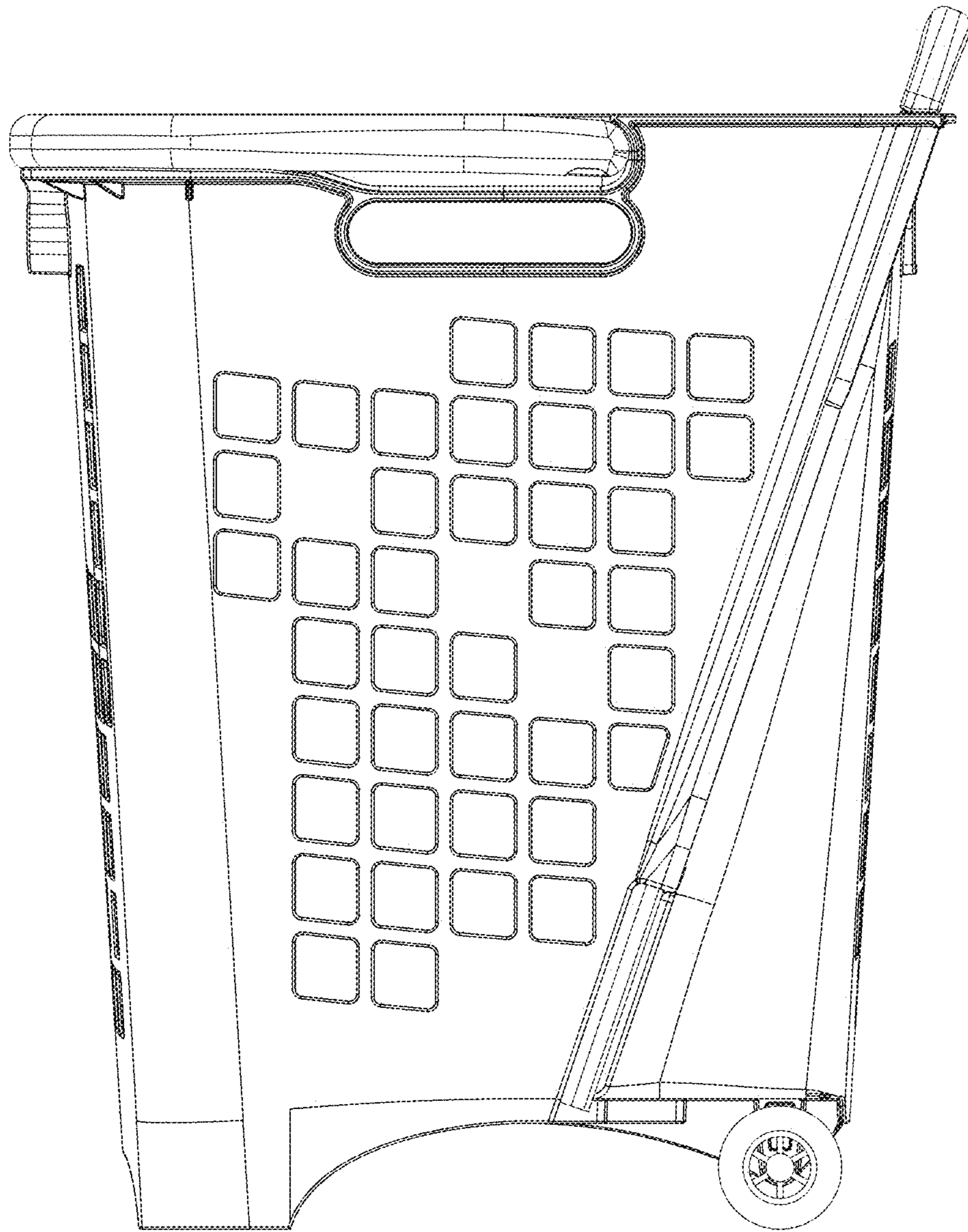
**FIG. 4**



**FIG. 5**

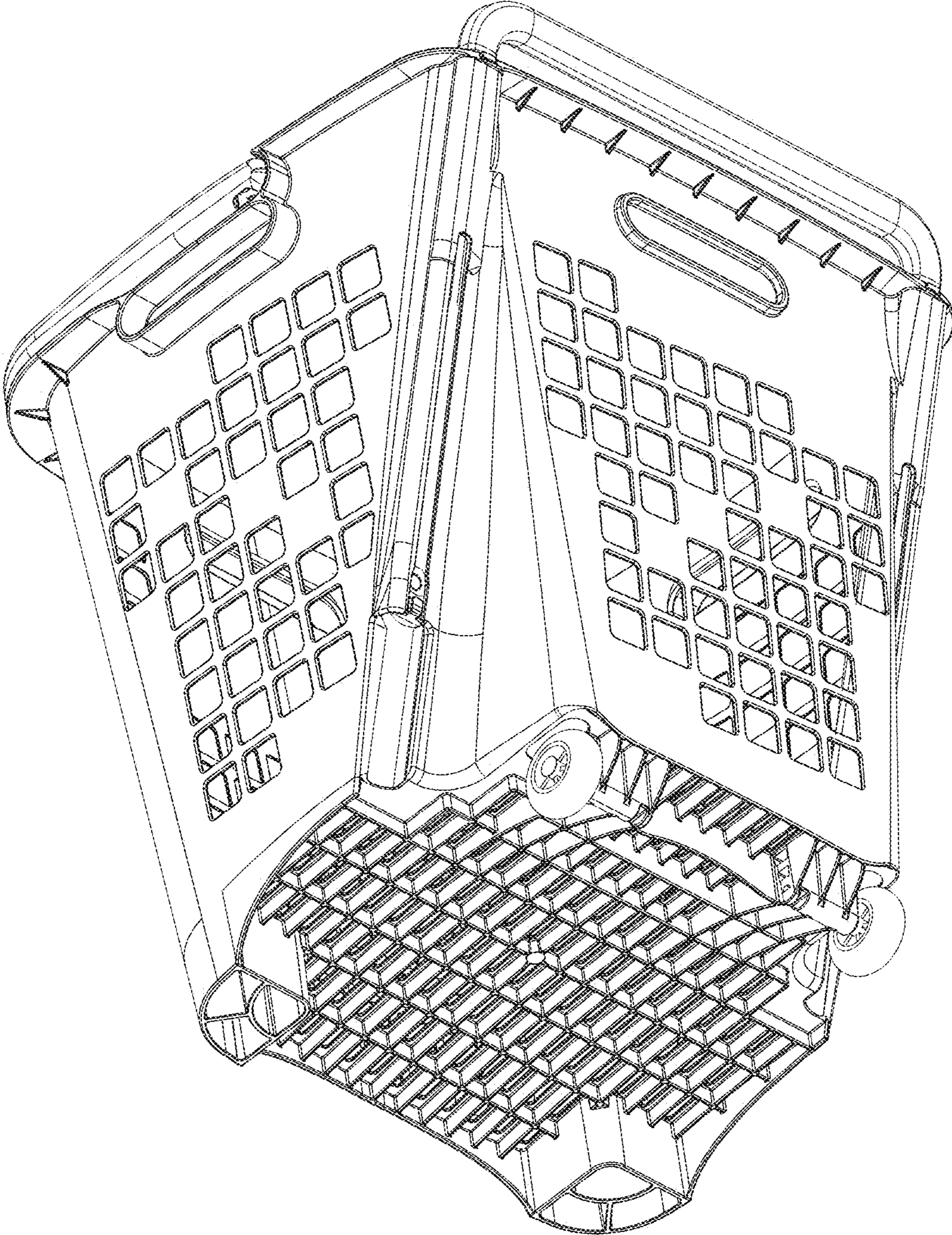


**FIG. 6**

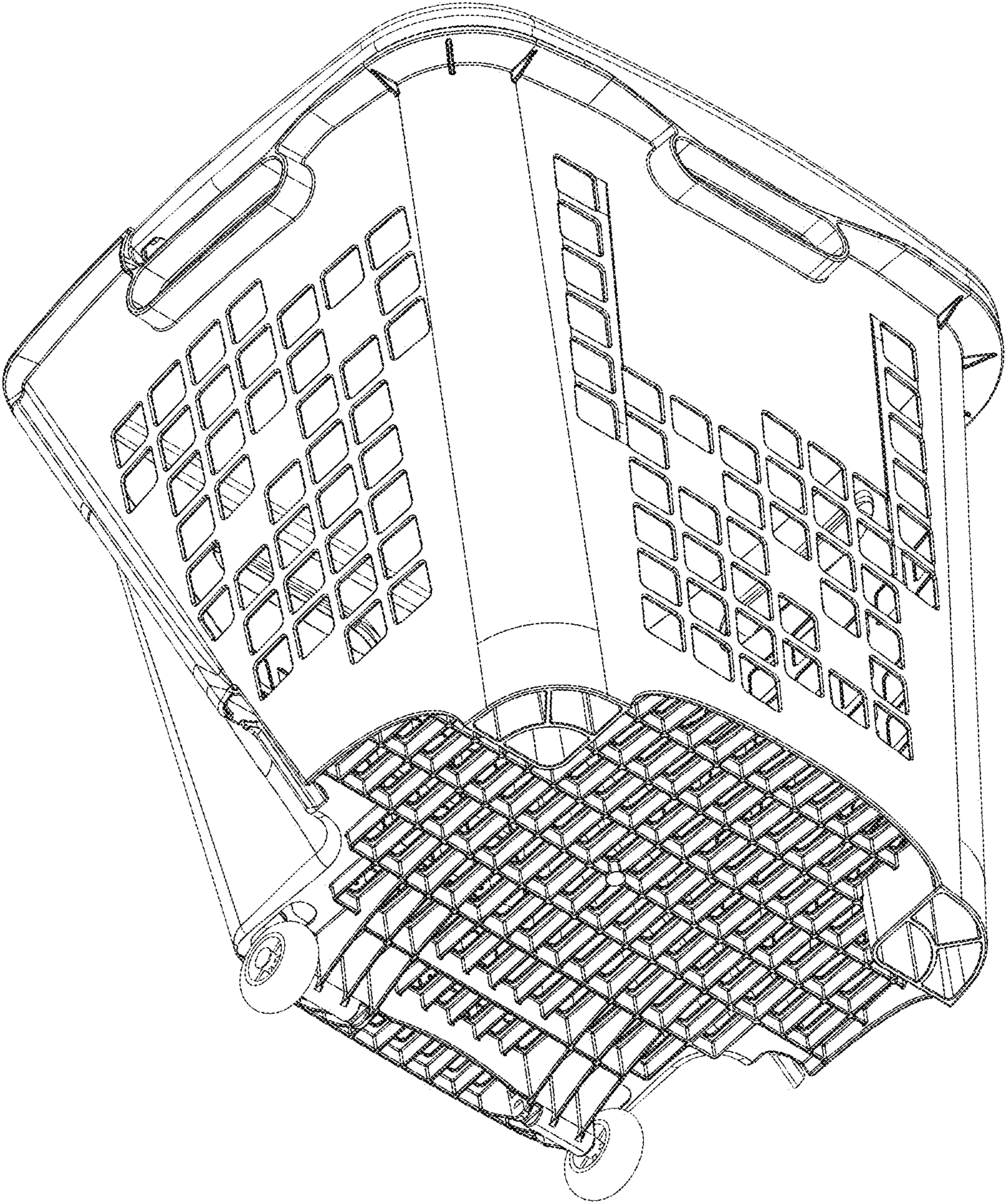


**FIG. 7**





**FIG. 8**



**FIG. 9**