



US00D945106S

(12) **United States Design Patent** (10) **Patent No.:** **US D945,106 S**
Gao (45) **Date of Patent:** **** Mar. 1, 2022**

(54) **SHELF ORGANIZER**

D901,123 S * 11/2020 Liu D34/21
D901,816 S * 11/2020 Liu D34/21

(71) Applicant: **Yanwei Gao**, Fujian (CN)

(Continued)

(72) Inventor: **Yanwei Gao**, Fujian (CN)

OTHER PUBLICATIONS

(**) Term: **15 Years**

Google search Jan. 5, 2022, walmart.com, Exquisite honeycomb net three tiers storage cart, <https://www.walmart.com/ip/Exquisite-Honeycomb-Net-Three-Tiers-Storage-Cart-with-Hook-Black/927890070> (Year: 2022).*

(21) Appl. No.: **29/781,099**

(Continued)

(22) Filed: **Apr. 28, 2021**

(51) **LOC (13) Cl.** **12-02**

(52) **U.S. Cl.**

USPC **D34/21**

(58) **Field of Classification Search**

USPC D34/12, 14, 17, 20, 21; D6/675.1
CPC B62B 3/02; B62B 3/1408; B62B 3/146;
B62B 3/142; B62B 3/10; B62B 3/12;
B62B 3/1492; B62B 3/165; B62B 5/0083;
B62B 5/04; B62B 5/06; B62B 1/112;
B62B 1/006; B62B 1/262; B62B 1/264;
B62B 1/14; B62B 1/125; B62B 3/002;
B62B 3/005; B62B 3/029

See application file for complete search history.

Primary Examiner — Cynthia Ramirez

(74) *Attorney, Agent, or Firm* — ScienBiziP, P.C.

(57) **CLAIM**

The ornamental design for a shelf organizer, as shown and described.

DESCRIPTION

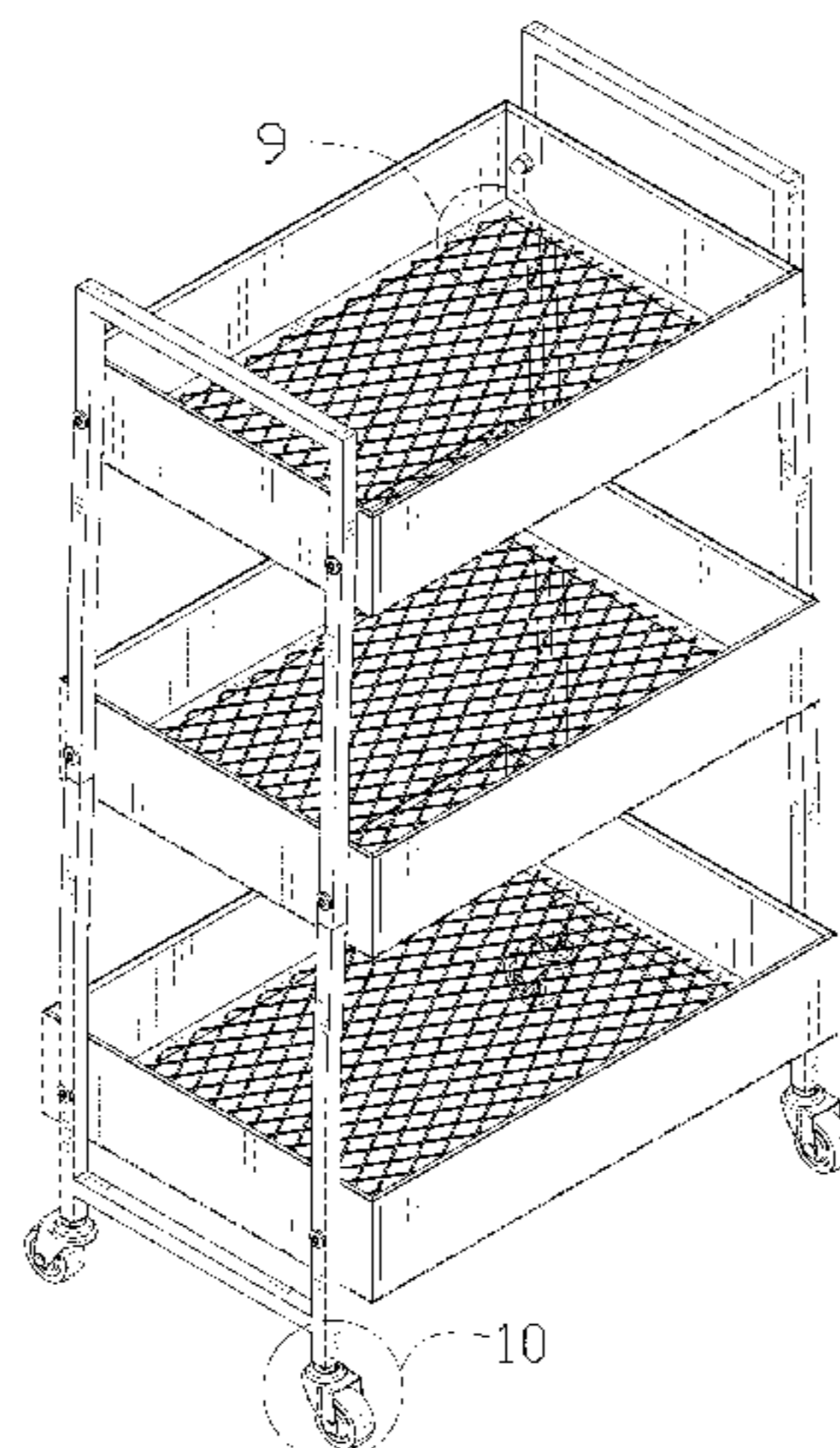
(56) **References Cited**

U.S. PATENT DOCUMENTS

2,468,513	A	*	4/1949	Rider	A47B 91/06 211/134
D207,308	S	*	4/1967	Bell	D34/21
D436,239	S	*	1/2001	Walsh	D34/17
D748,359	S	*	1/2016	Lustig	D34/21
D752,906	S	*	4/2016	Gunderson	D6/675.1
D756,584	S	*	5/2016	Dunford	D34/12
D757,387	S	*	5/2016	Cao	D34/21
D764,844	S	*	8/2016	Hsu et al.	
D831,390	S	*	10/2018	Li	D6/675.1
D832,549	S	*	10/2018	Cao	D34/21
D841,735	S	*	2/2019	Tuang	
D846,824	S	*	4/2019	Cao	D34/21
D846,825	S	*	4/2019	Cao	D34/21
D850,753	S	*	6/2019	Cao	D34/21
D852,448	S	*	6/2019	Hu	D34/21
D852,449	S	*	6/2019	Hu	D34/21
D858,928	S	*	9/2019	Cao	D34/21
D898,319	S	*	10/2020	Strandmark	D34/21
D899,826	S	*	10/2020	Cheng	D6/675.1

FIG. 1 is a front, left, and top perspective view of a shelf organizer, showing my design.
FIG. 2 is a rear, right, and bottom perspective view thereof.
FIG. 3 is a front elevation view thereof.
FIG. 4 is a rear elevation view thereof.
FIG. 5 is a left side elevation view thereof.
FIG. 6 is a right side elevation view thereof.
FIG. 7 is a top plan view thereof.
FIG. 8 is a bottom plan view thereof.
FIG. 9 is a partial enlarged view of an area labeled 9 in FIG. 1 comprising a part of mesh.
FIG. 10 is a partial enlarged view of an area labeled 10 in FIG. 1 comprising a wheel; and,
FIG. 11 is a partial enlarged view of an area labeled 11 in FIG. 2 comprising a screw.
The broken lines framing portions of the claimed design that are illustrated for enlargements form no part of the claimed design.

1 Claim, 11 Drawing Sheets



(56)

References Cited

U.S. PATENT DOCUMENTS

D902,521 S * 11/2020 Tsai D34/21
D915,718 S * 4/2021 Li D34/21
D919,918 S * 5/2021 Liu D34/21
D920,618 S * 5/2021 Cao D34/21
D920,619 S * 5/2021 Cao D34/21
D922,021 S * 6/2021 Phillips D34/21
D922,023 S * 6/2021 Chen D34/21
D926,415 S * 7/2021 Su D34/21
D927,817 S * 8/2021 Cao D34/21
D937,528 S * 11/2021 Zhou D34/21
D938,126 S * 12/2021 You D34/21
2018/0208355 A1 * 7/2018 Tang B65D 7/06
2021/0086815 A1 * 3/2021 Kopp B62B 5/0006

OTHER PUBLICATIONS

Google search Jan. 5, 2022, Pricepulse.app, danpinera 3 tier rolling utility cart with wheels and handle, <https://www.pricepulse.app/>

danpinera-3-tier-rolling-utility-cart-with-wheels_us_12123271 (Year: 2022).*

Google search Jan. 5, 2022, u-buy.co.uk, 3 tier rolling cart with table top, rolling storage cart with handles and locking wheels, <https://www.u-buy.co.uk/search/index/view/product/B09368T1F9> (Year: 2022).*

Amazon.com searched Jan. 5, 2022, CAXXA 3-tier rolling metal storage organizer-mobile utility cart kitchen cart with caster wheels, <https://www.amazon.com/CAXXA-3-Tier-Rolling-Storage-Organizer/dp/B07JJMYQ8G> (Year: 2022).*

Amazon.com searched Jan. 5, 2022, 3-Tier Rolling Carts with Wheels Storage Cart Makeup Cart with Roller Wheels Mobile Storage Organizer for Kitchen, Bathroom, Office, Coffee Bar, <https://www.amazon.com/dp/B089W25HLL> (Year: 2022).*

Amazon.com searched Jan. 7, 2022, Tayene 3 tier rolling metal storage organizer, <https://www.amazon.com/Tayene-3-Tier-Rolling-Storage-Organizer/dp/B0998YBYWT> (Year: 2021).*

* cited by examiner

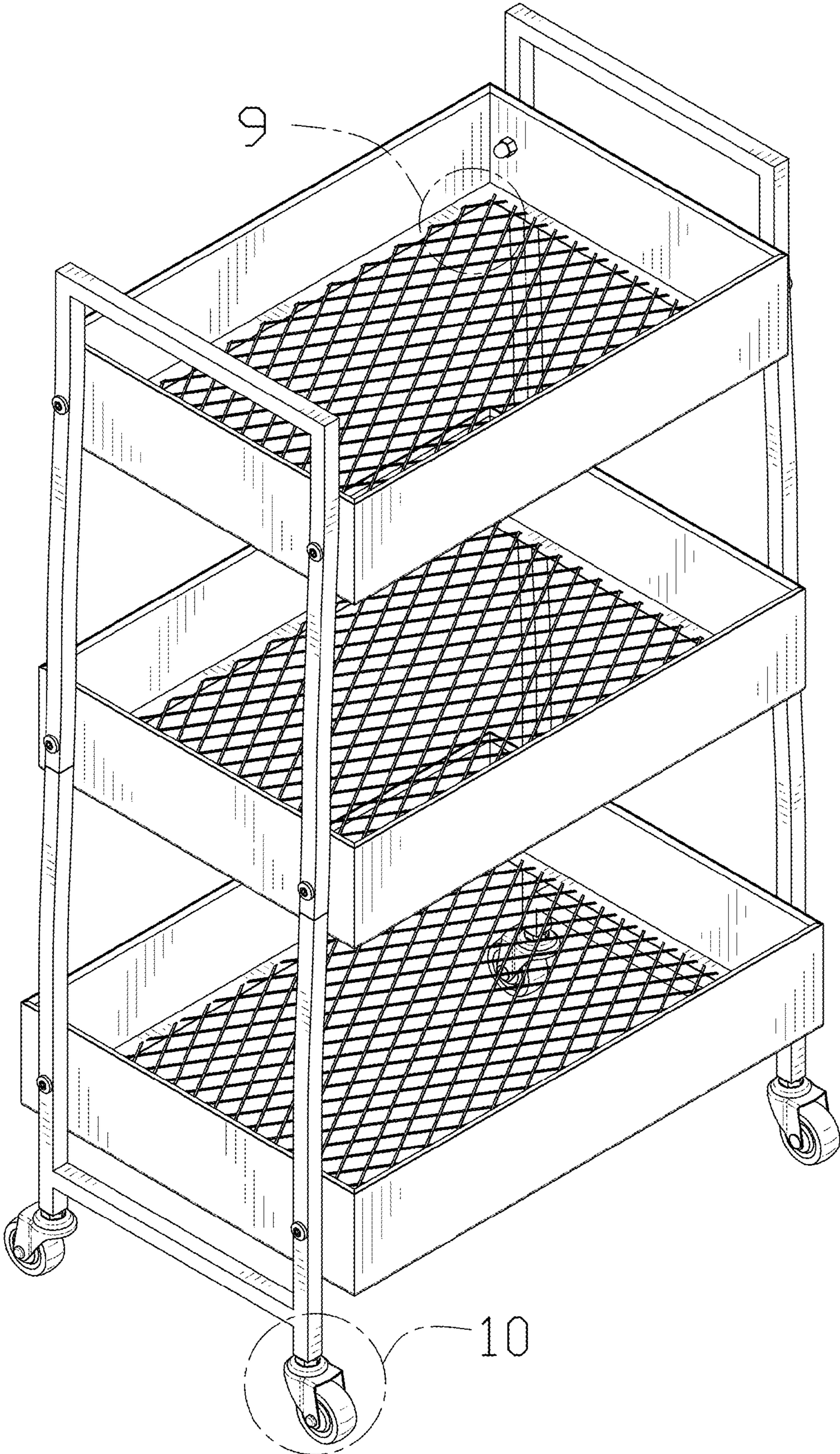


FIG. 1

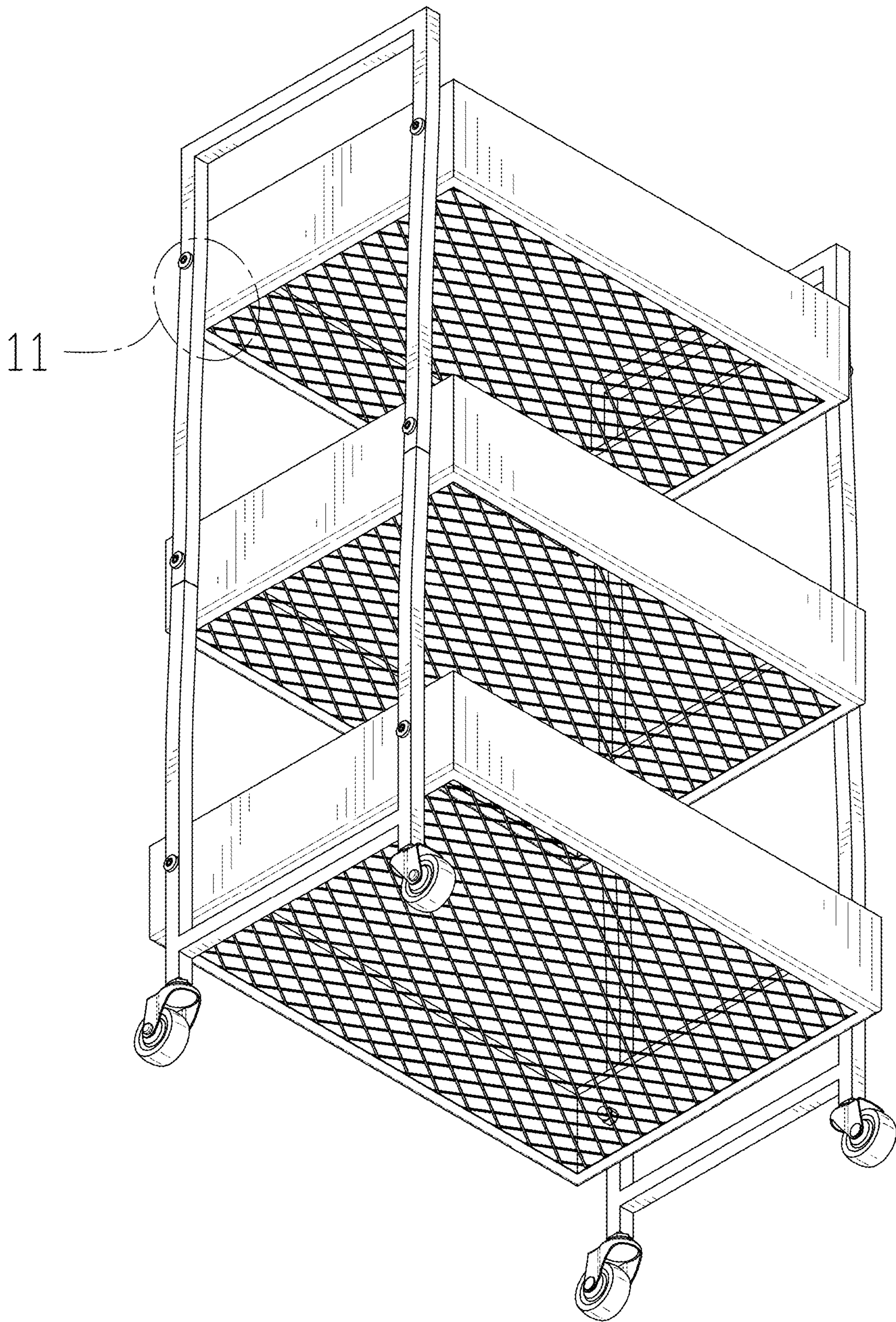


FIG. 2

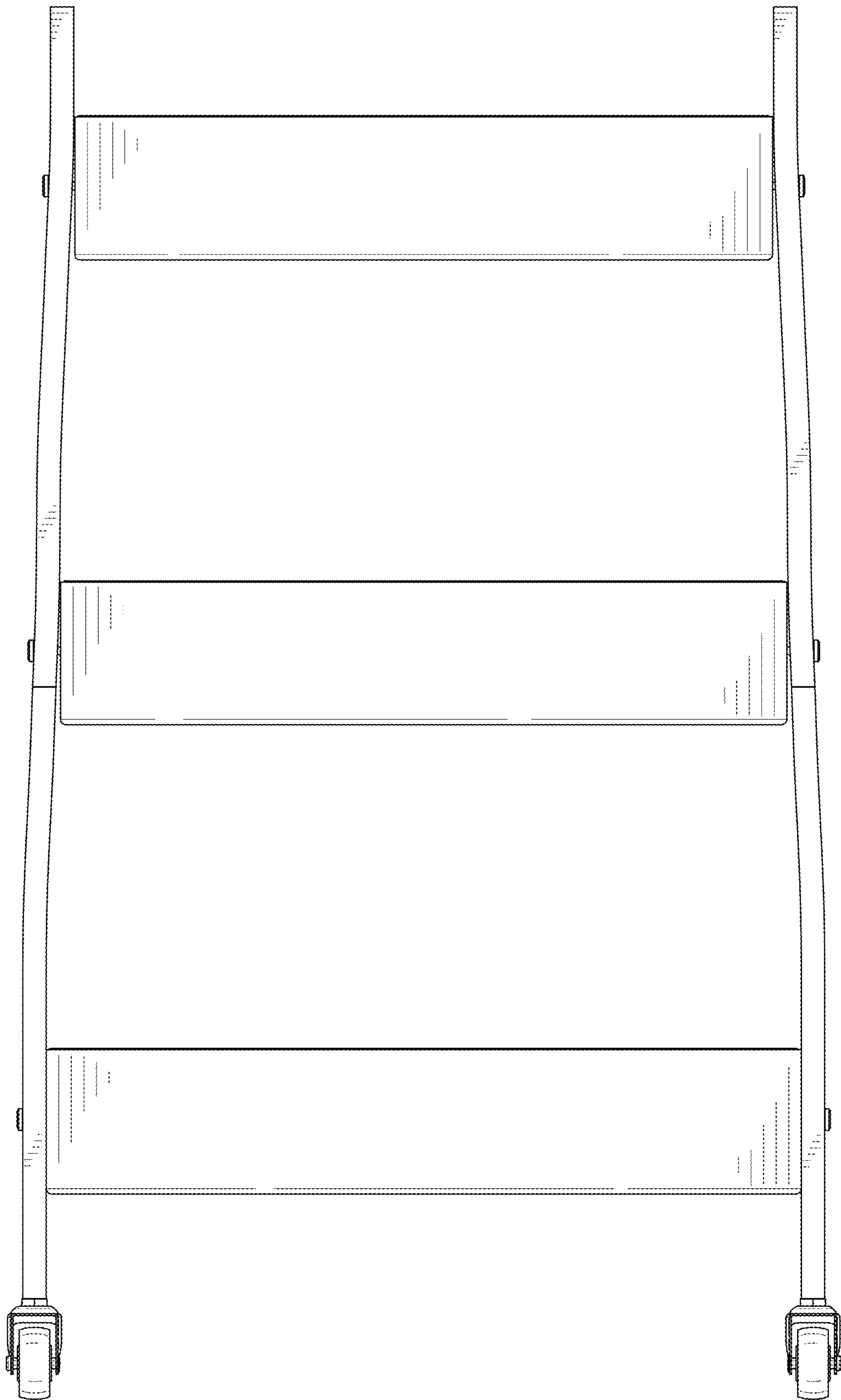


FIG. 3

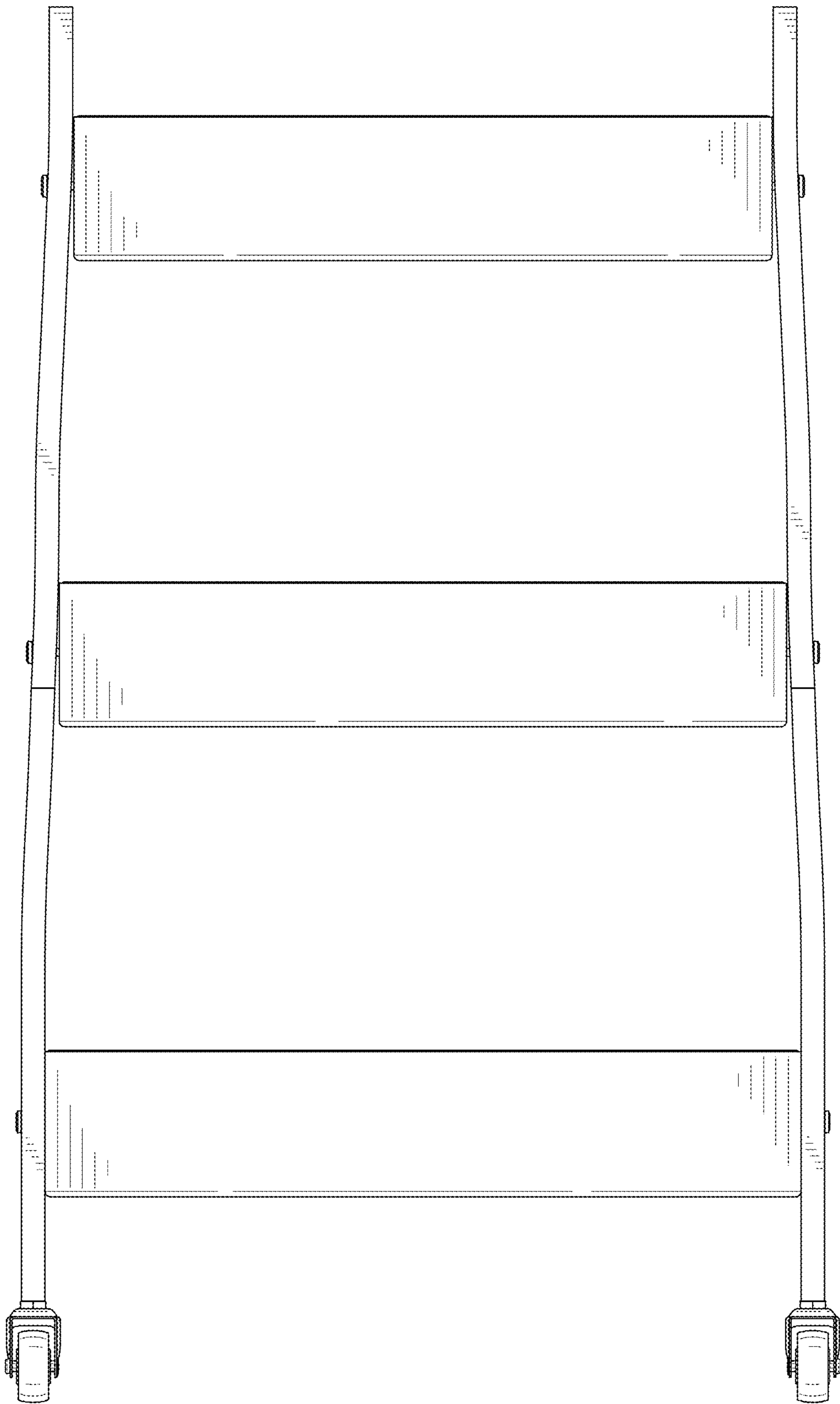


FIG. 4

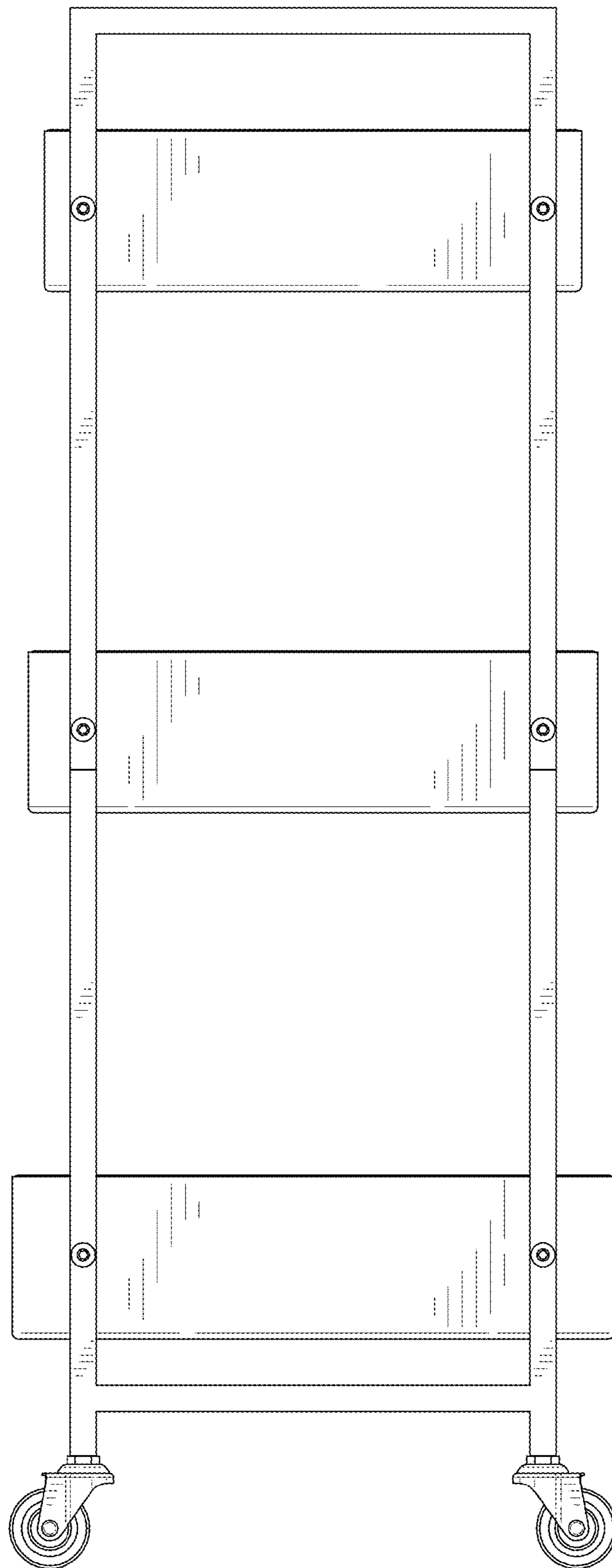


FIG. 5

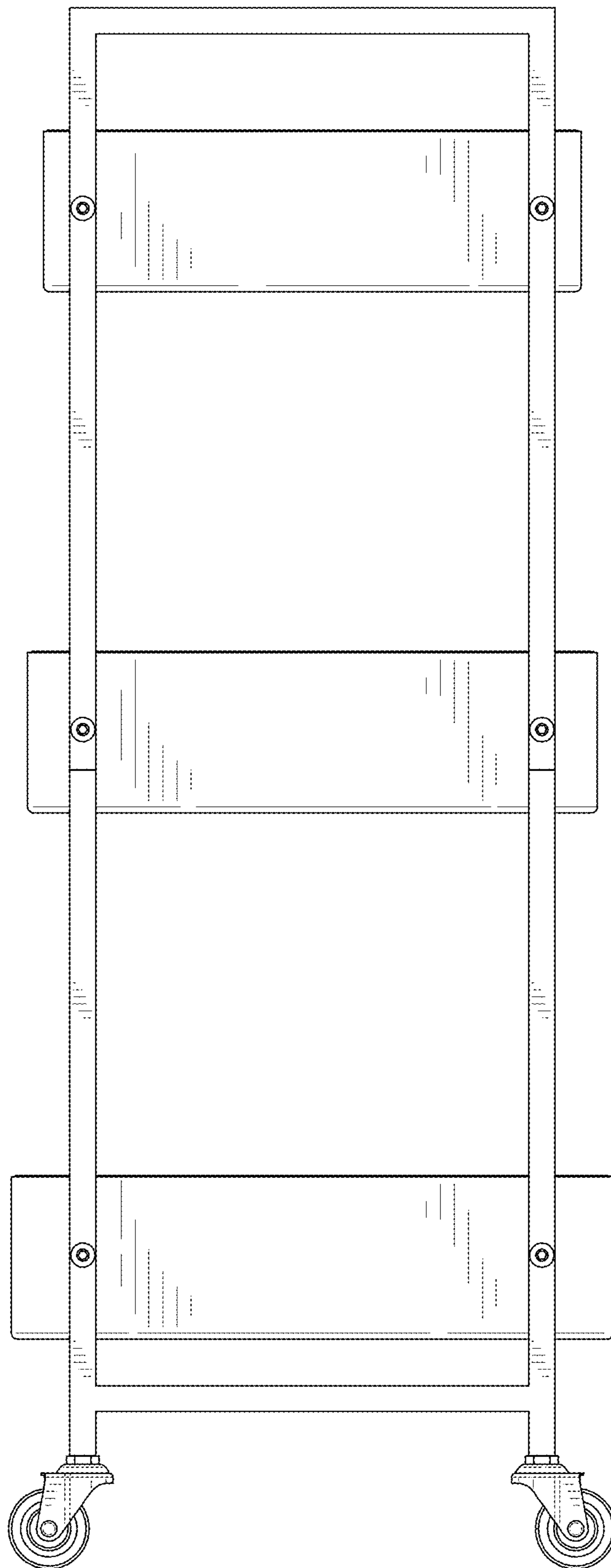


FIG. 6

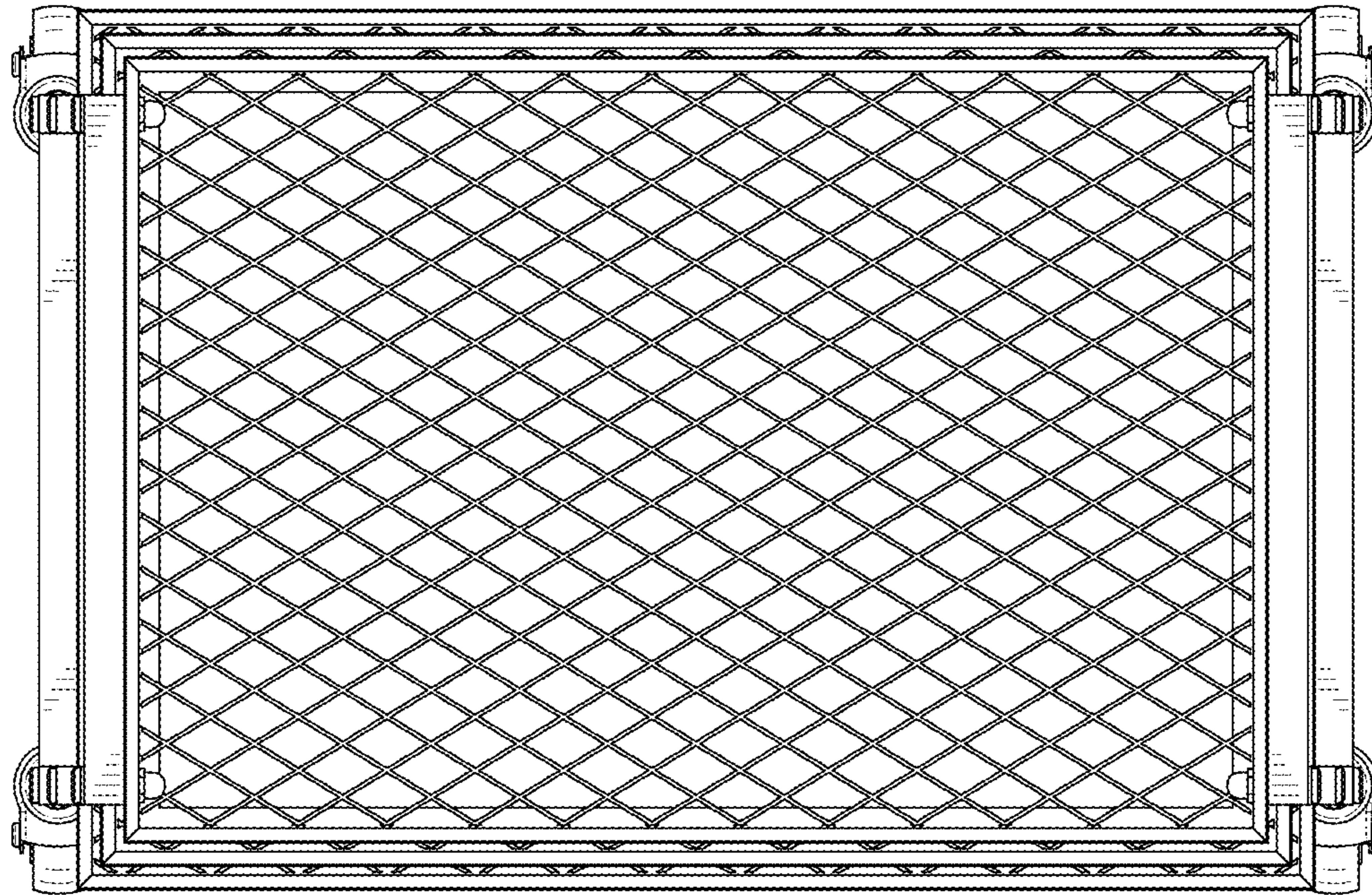


FIG. 7

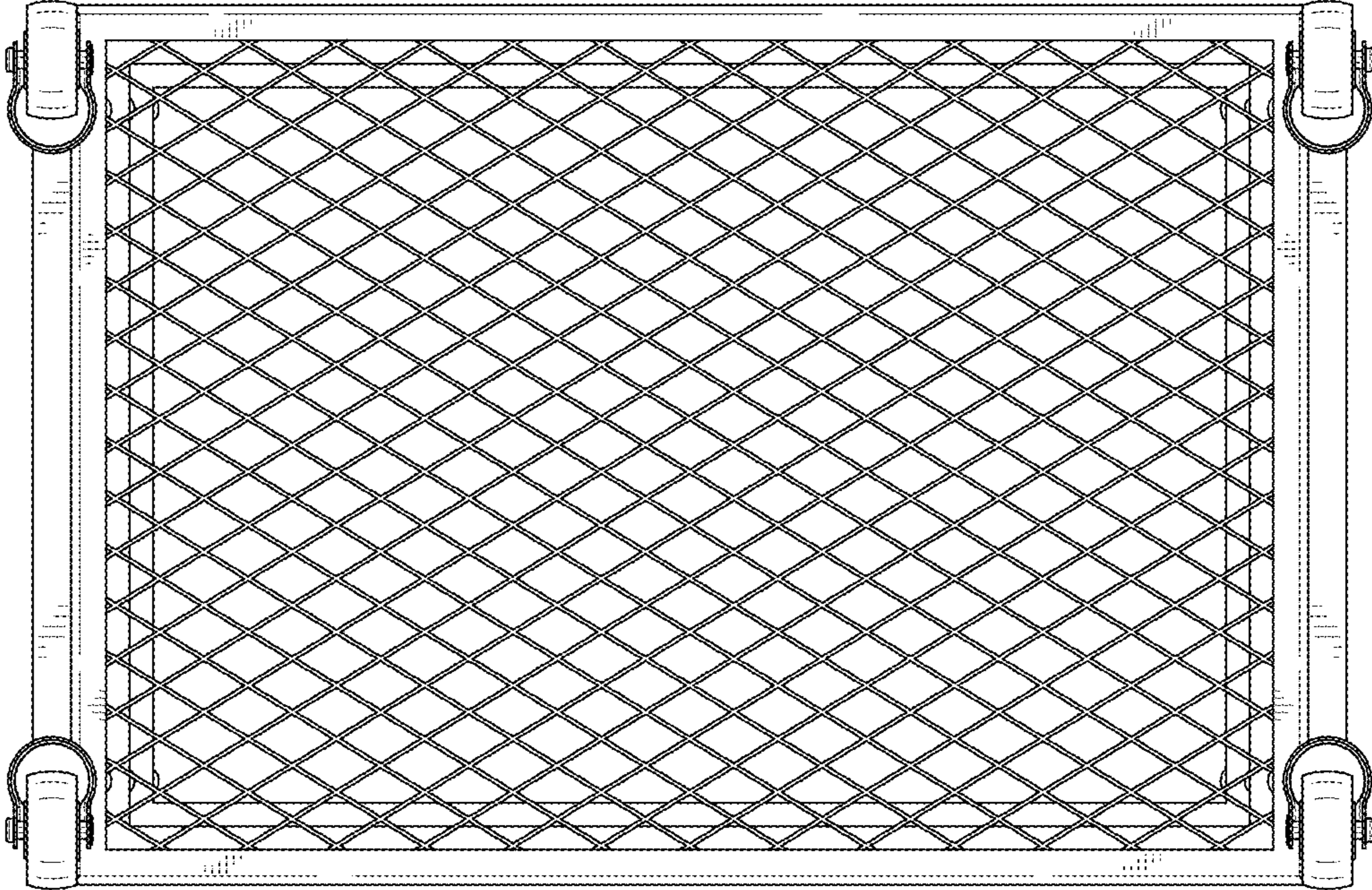


FIG. 8

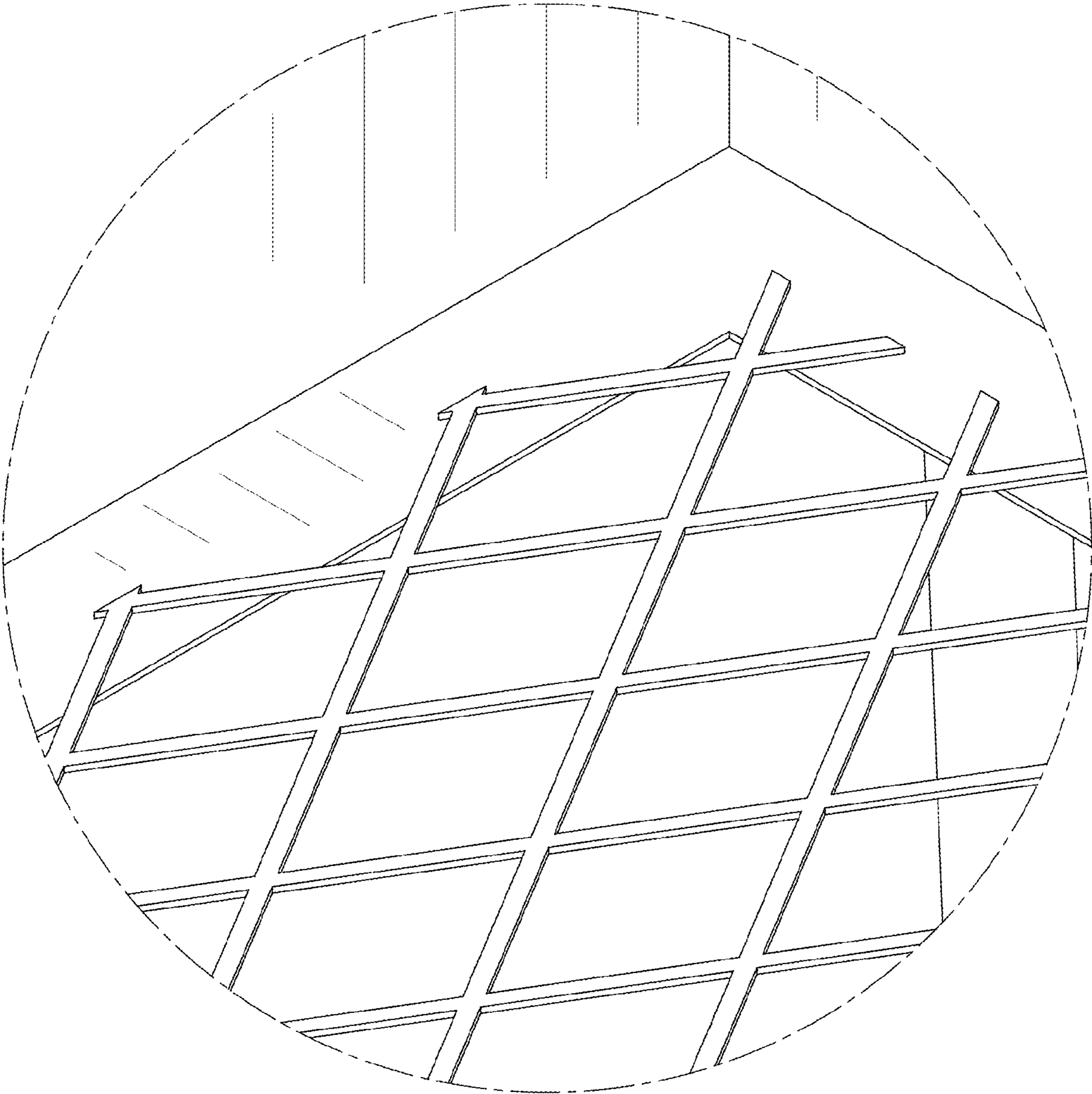


FIG. 9

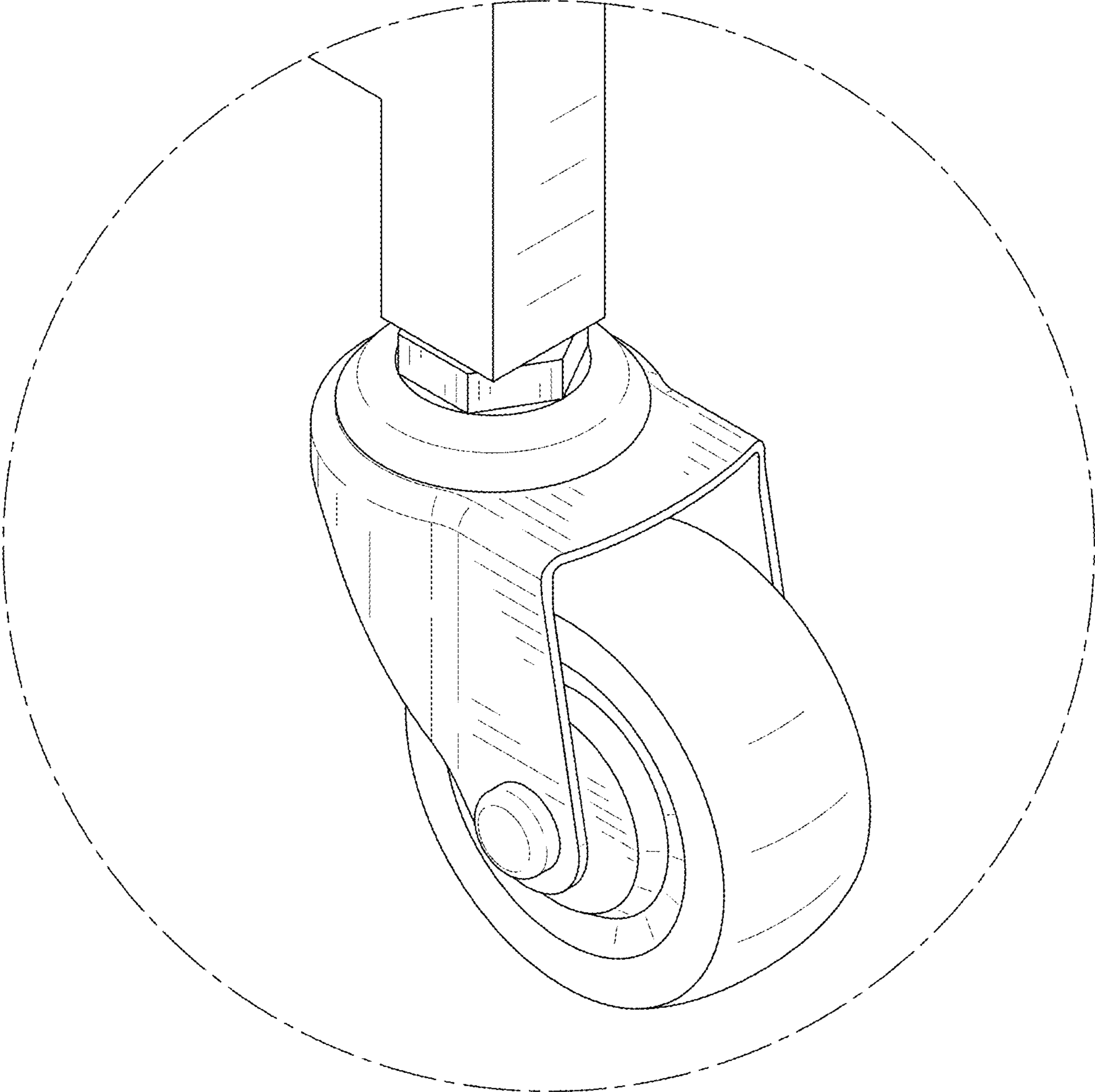


FIG. 10

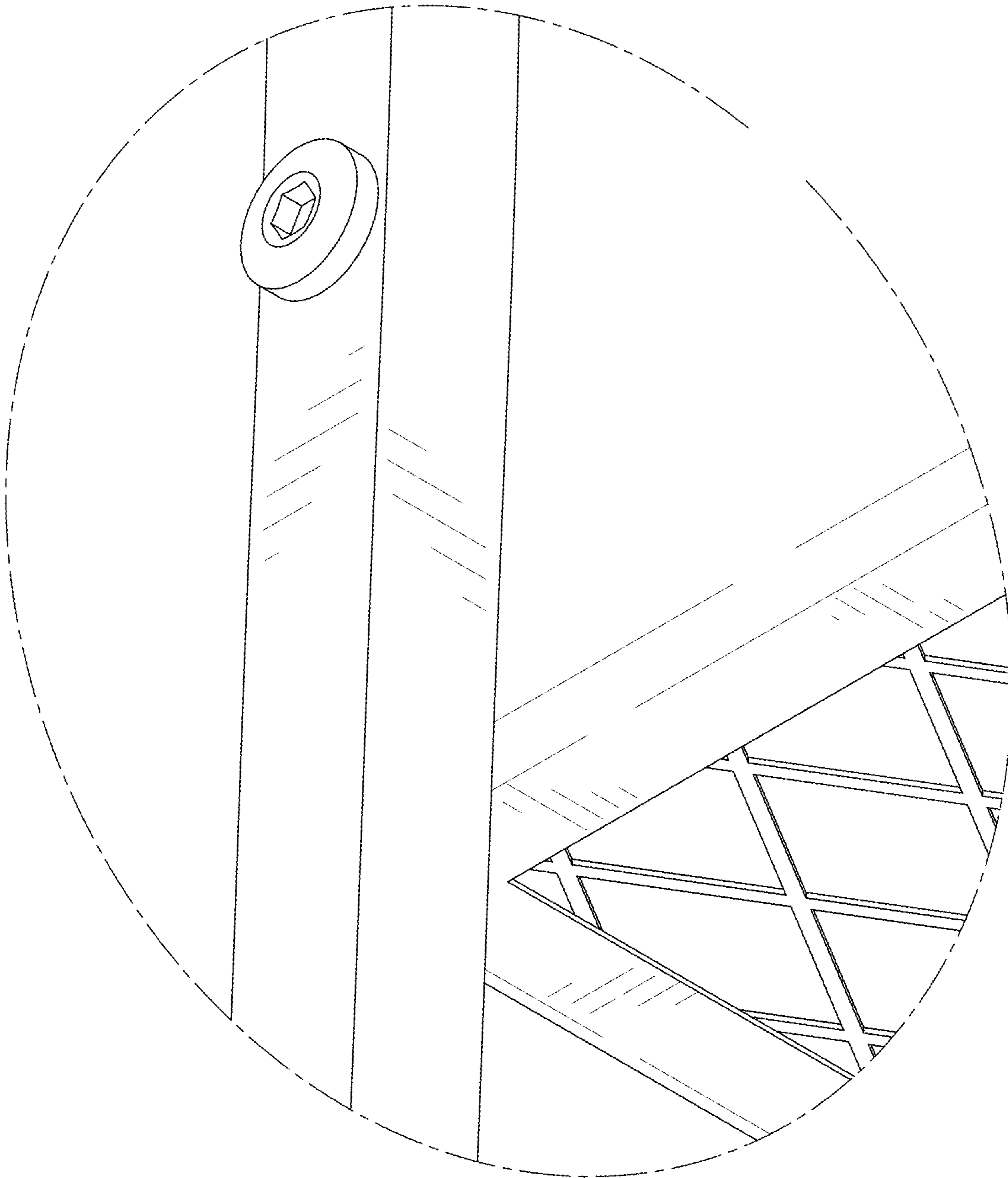


FIG. 11