



US00D945105S

(12) **United States Design Patent**
Gao et al.

(10) **Patent No.:** **US D945,105 S**
(45) **Date of Patent:** **** Mar. 1, 2022**

(54) **SHOPPING CART**
(71) Applicant: **Sbot Technologies, Inc.**, New York, NY (US)
(72) Inventors: **Lindon Gao**, New York, NY (US); **Yilin Huang**, Shanghai (CN); **Ahmed Beshry**, New York, NY (US); **Shiyuan Yang**, Jersey City, NJ (US); **Michael Sanzari**, New York, NY (US); **Jungsoo Woo**, Jersey City, NJ (US)

5,961,133 A * 10/1999 Perry B62B 3/144
280/33.991
D752,834 S * 3/2016 Wyse D34/16
9,669,857 B1 * 6/2017 Rainey B62B 5/06
D850,748 S * 6/2019 Steinhobel D34/17
2004/0073489 A1 * 4/2004 Varatharajah B62B 3/1424
705/23

(73) Assignee: **Sbot Technologies, Inc.**, New York, NY (US)

(**) Term: **15 Years**

(21) Appl. No.: **29/714,115**

(22) Filed: **Nov. 21, 2019**

(51) **LOC (13) Cl.** **12-02**

(52) **U.S. Cl.**
USPC **D34/17**

(58) **Field of Classification Search**
USPC D34/12, 14, 17, 20, 21
CPC B62B 5/06; B62B 3/02; B62B 3/14; B62B 3/144; B62B 3/022; B62B 3/18
See application file for complete search history.

(56) **References Cited**

U.S. PATENT DOCUMENTS

D198,448 S * 6/1964 Moran D34/21
5,855,412 A * 1/1999 Smith B62B 3/1456
297/256.17

FOREIGN PATENT DOCUMENTS

DE 202016001594 U1 * 12/2016 B62B 3/1444

* cited by examiner

Primary Examiner — Cynthia Ramirez

(74) *Attorney, Agent, or Firm* — Polsinelli, P.C.

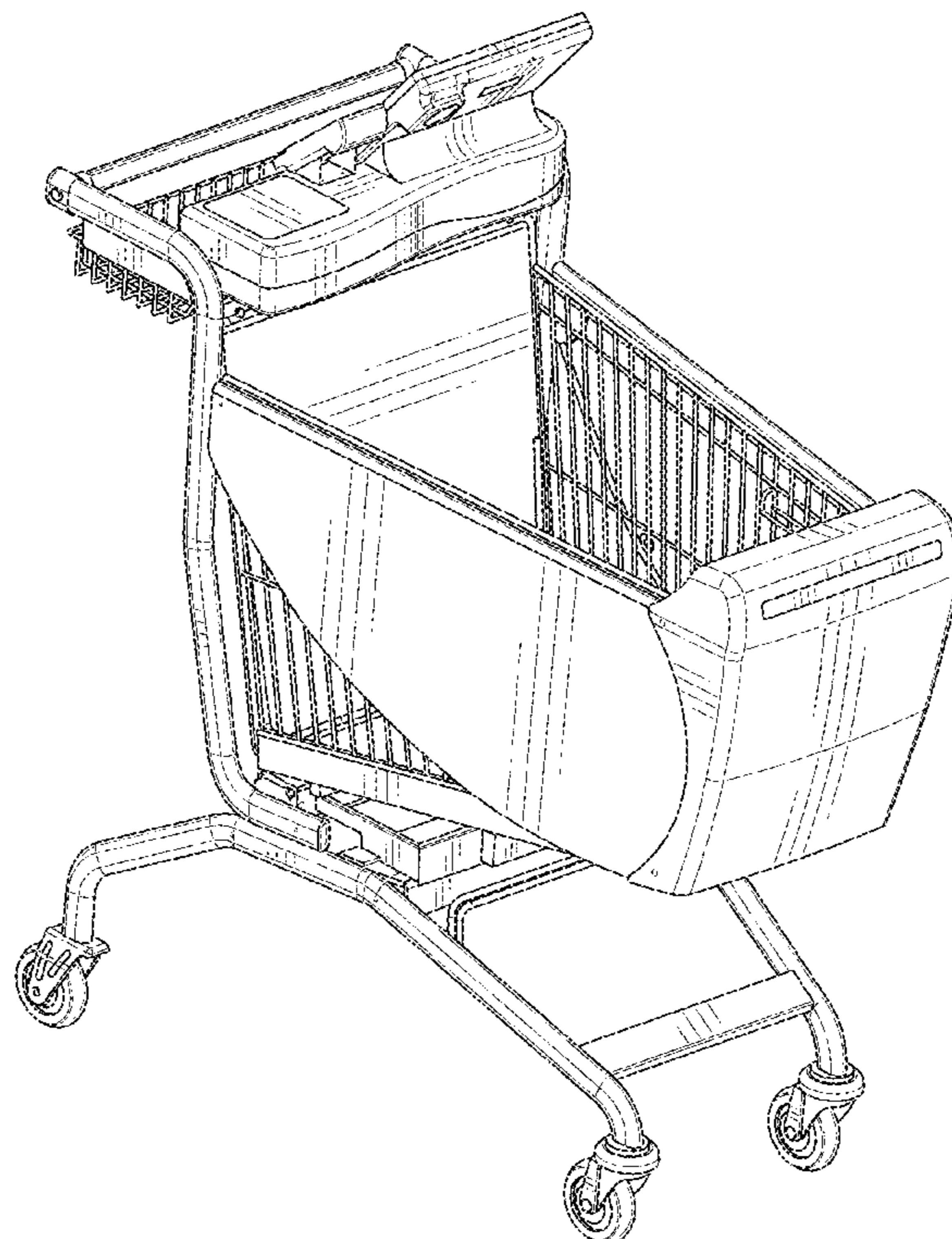
(57) **CLAIM**

The ornamental design for a shopping cart, as shown and described.

DESCRIPTION

FIG. 1 is a top, front, left-side perspective view of a shopping cart having a user interface according to our new design;
FIG. 2 is a top, rear, right-side perspective view thereof;
FIG. 3 is a front elevational view thereof;
FIG. 4 is a rear elevational view thereof;
FIG. 5 is a right-side elevational view thereof;
FIG. 6 is a left-side elevational view thereof;
FIG. 7 is a top plan view thereof; and,
FIG. 8 is a bottom plan view thereof.
The broken lines in FIGS. 1 through 8 show portions of the shopping cart which form no part of the claimed design.

1 Claim, 8 Drawing Sheets



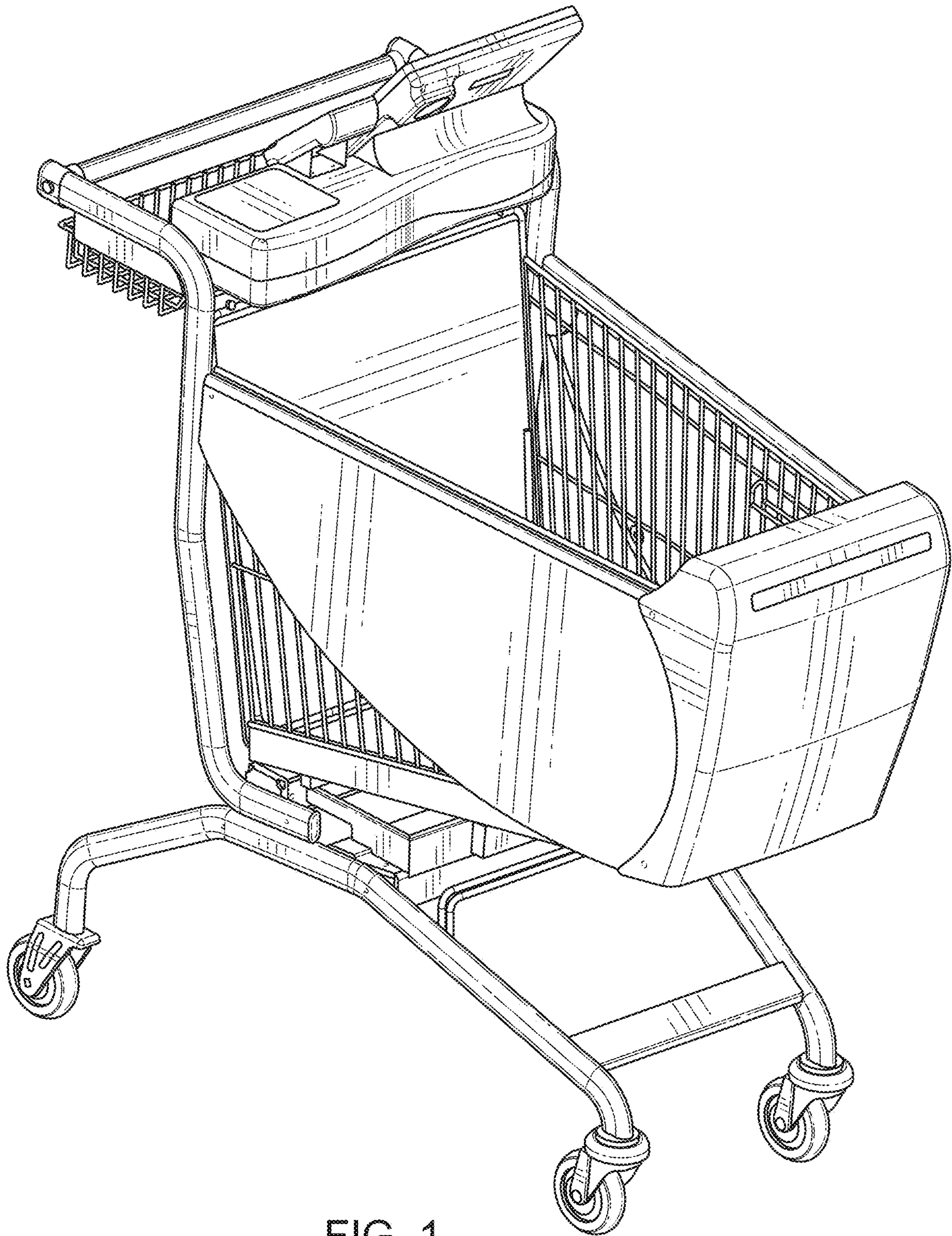
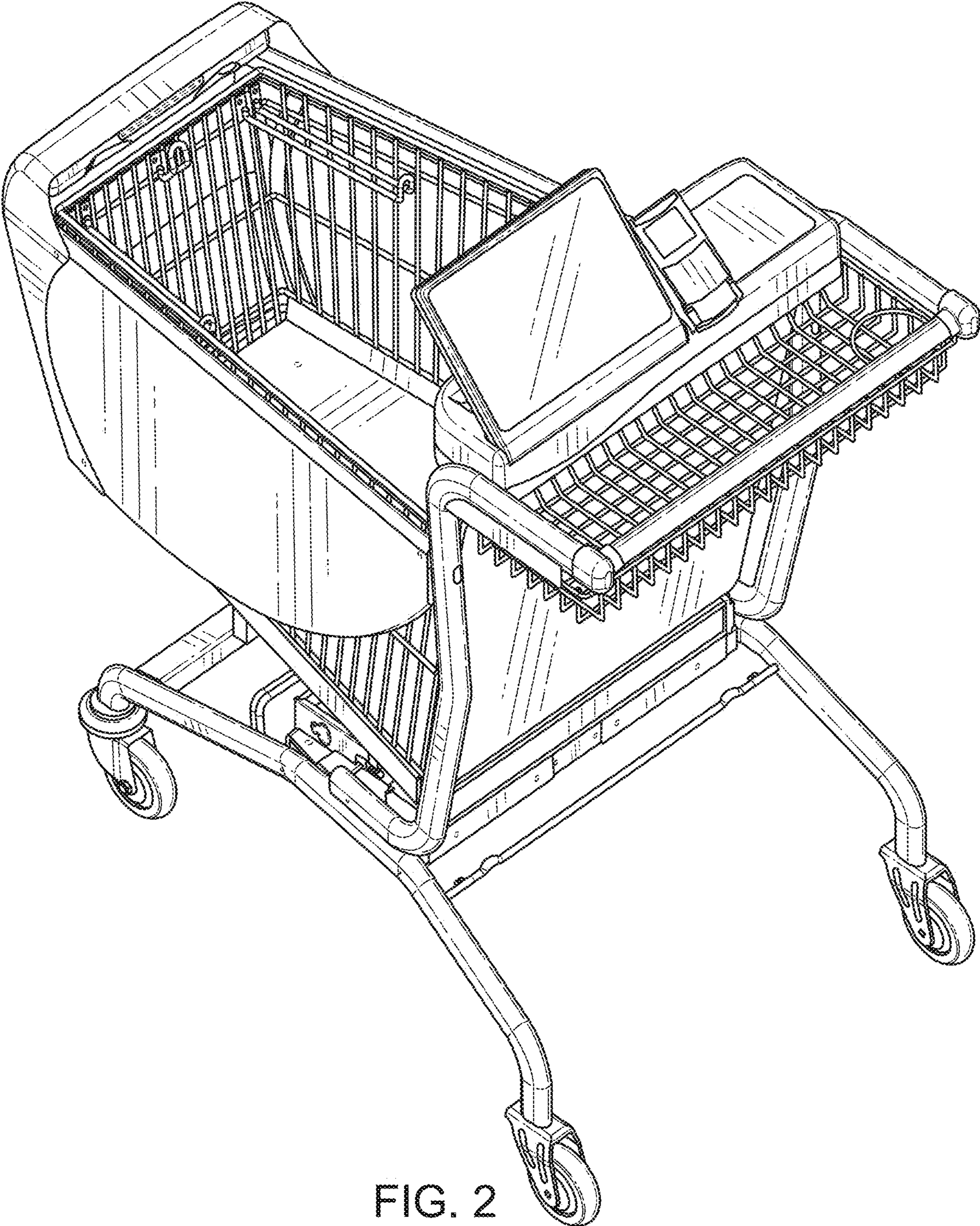


FIG. 1



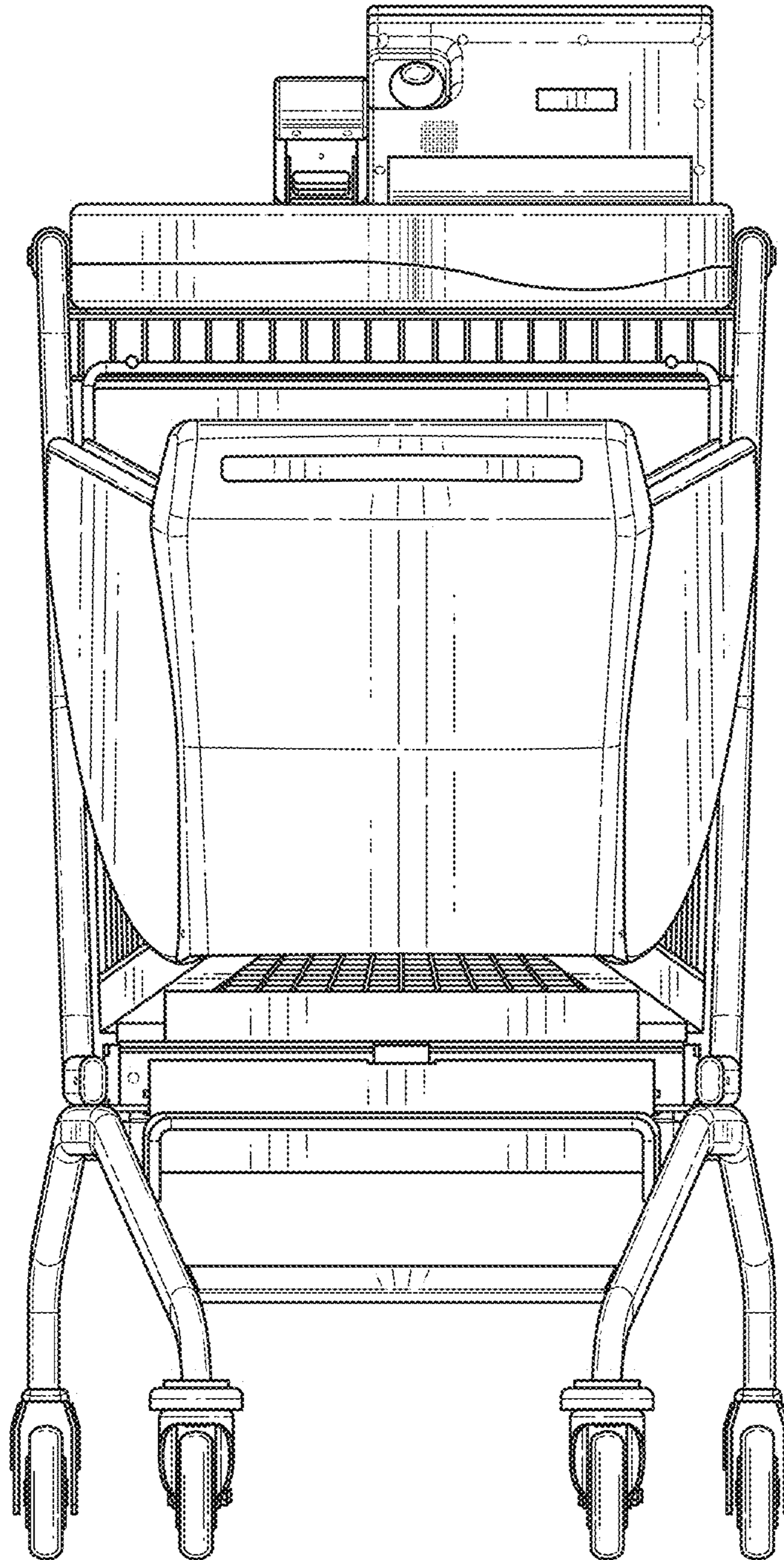


FIG. 3

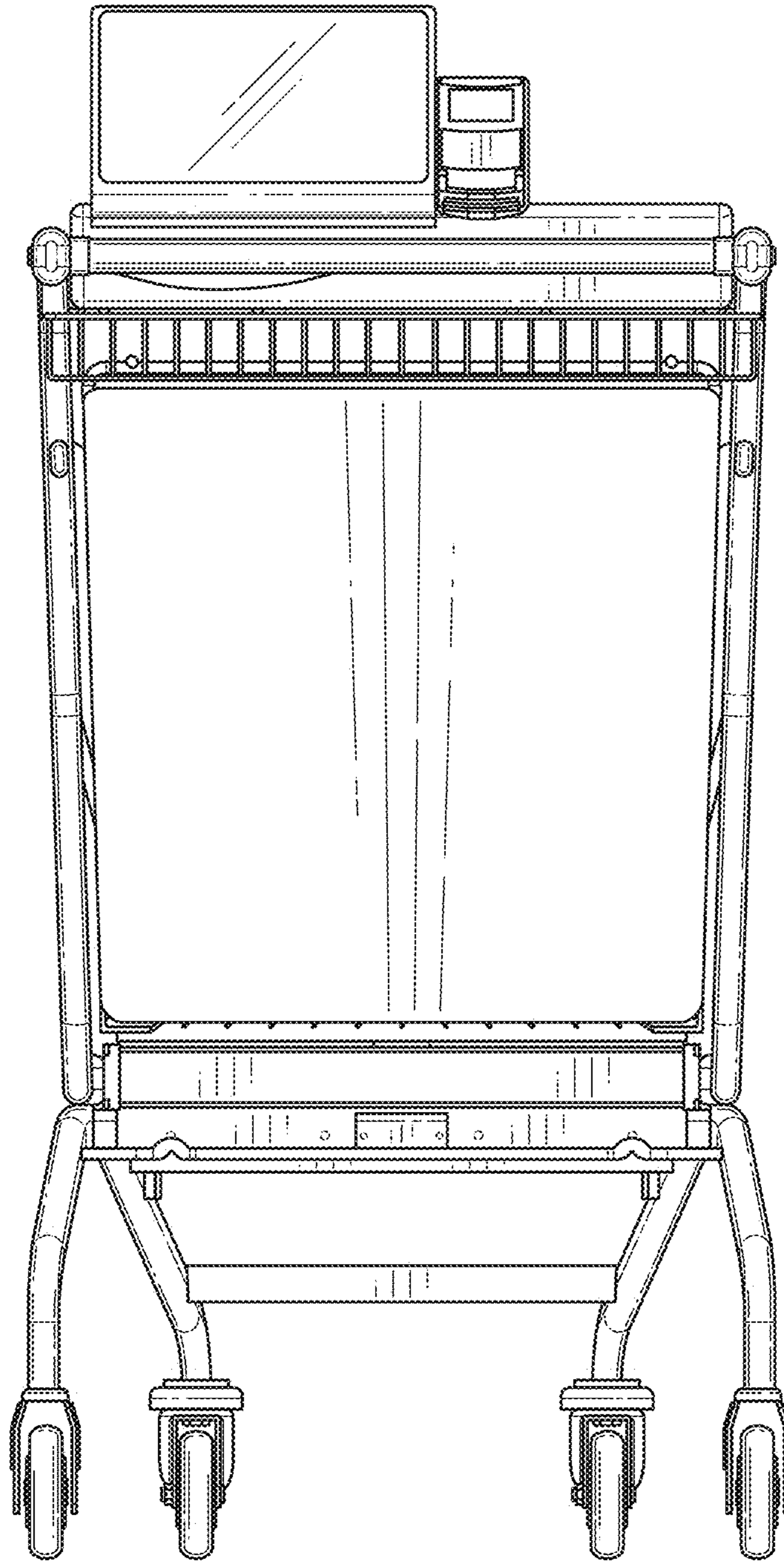


FIG. 4

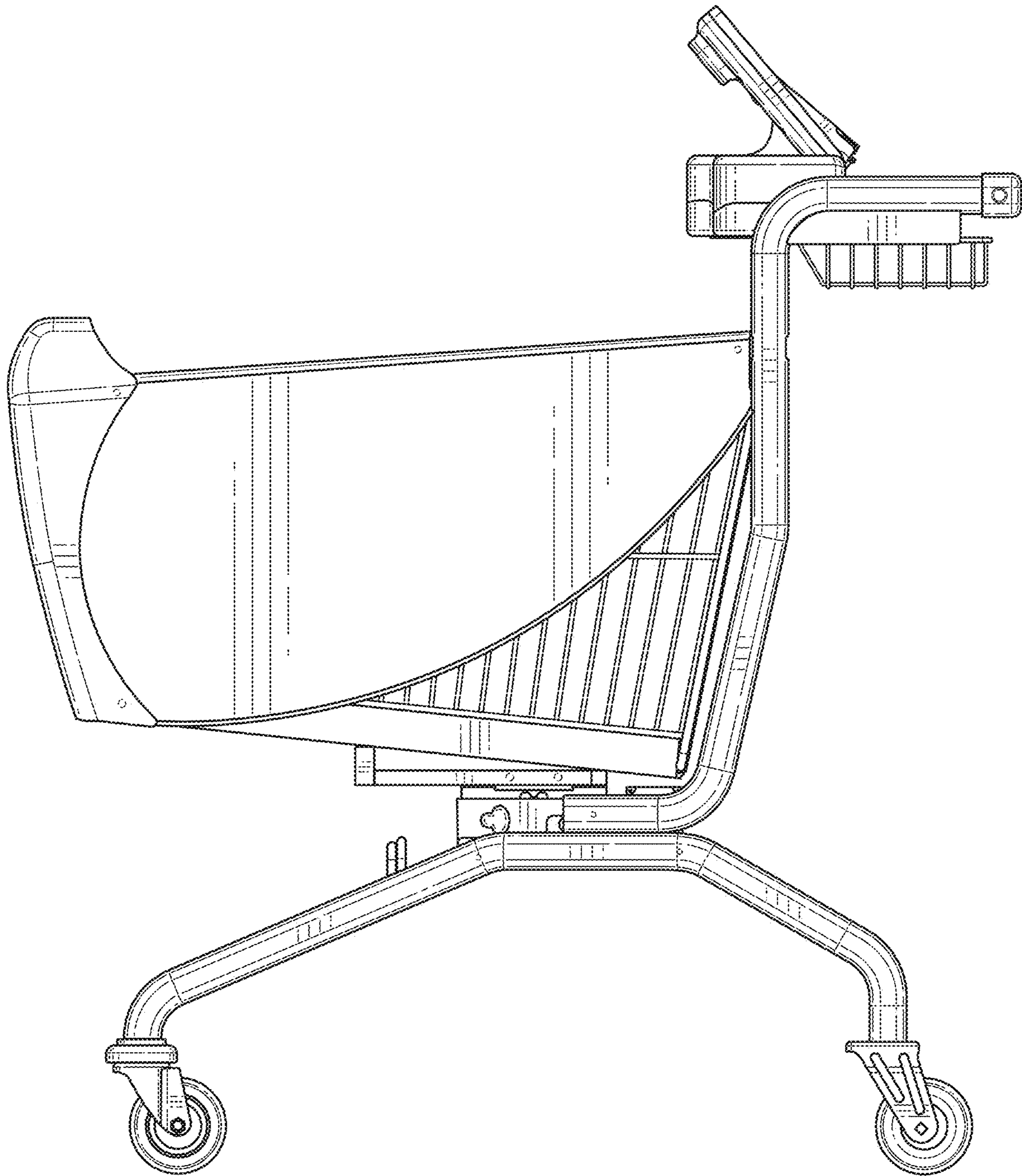


FIG. 5

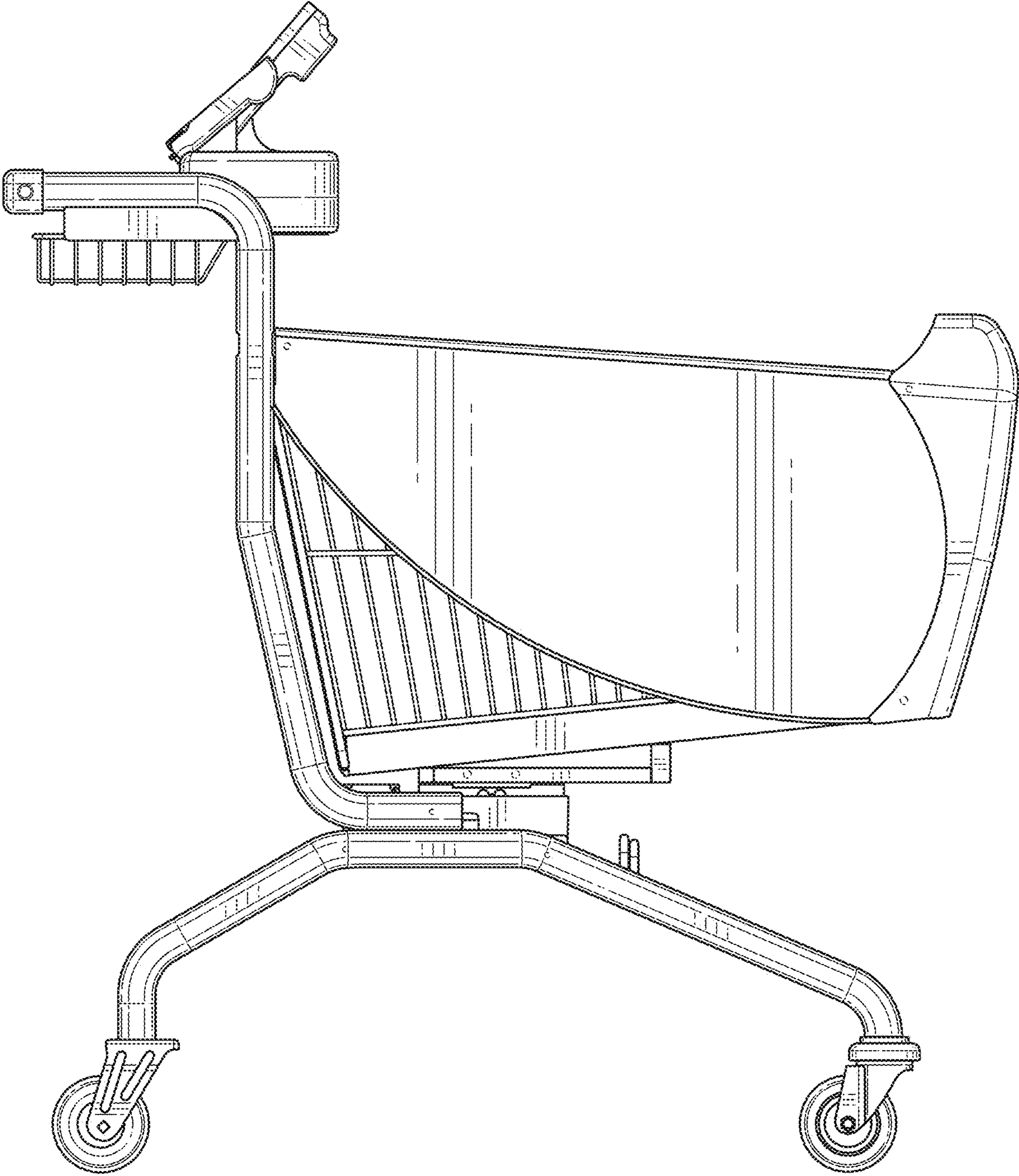


FIG. 6

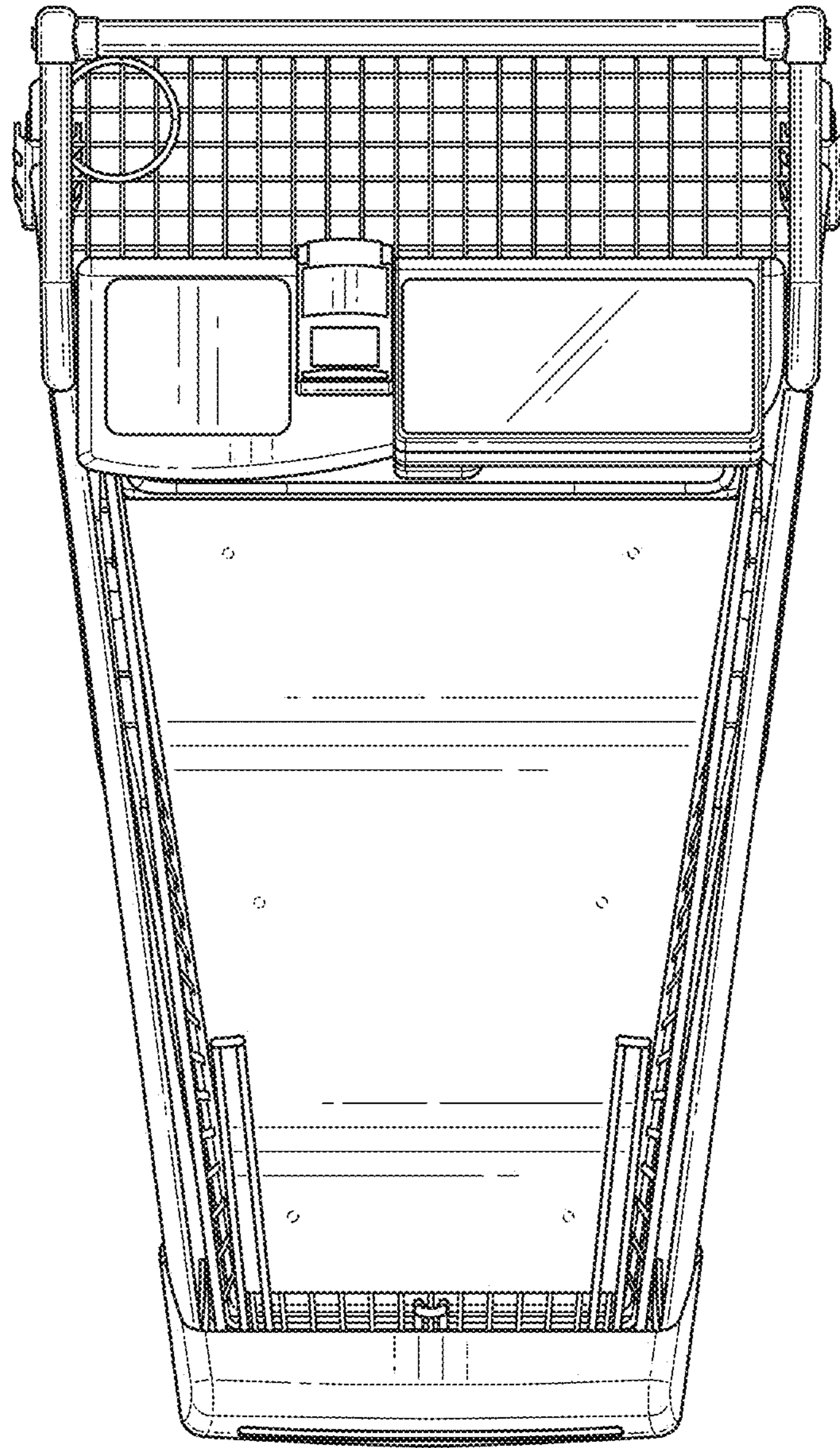


FIG. 7

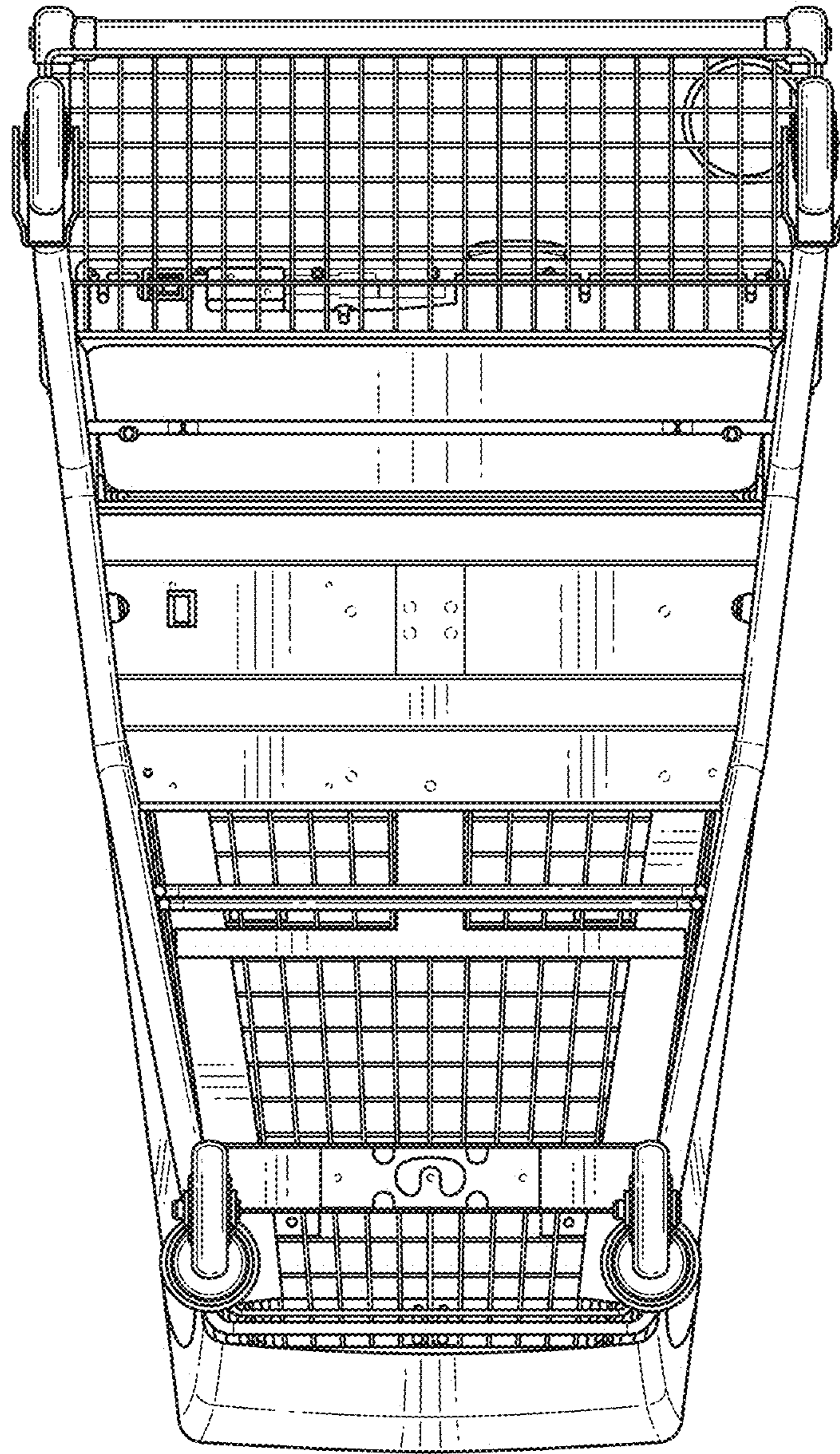


FIG. 8