



US00D945104S

(12) **United States Design Patent**
Zeng

(10) **Patent No.:** **US D945,104 S**
(45) **Date of Patent:** **** Mar. 1, 2022**

- (54) **TRASH CAN**
- (71) Applicant: **Huayou Zeng**, Jinjiang (CN)
- (72) Inventor: **Huayou Zeng**, Jinjiang (CN)
- (**) Term: **15 Years**
- (21) Appl. No.: **29/803,159**
- (22) Filed: **Aug. 11, 2021**

Related U.S. Application Data

- (62) Division of application No. 29/766,748, filed on Jan. 18, 2021, now Pat. No. Des. 936,927.
- (51) **LOC (13) Cl.** **09-09**
- (52) **U.S. Cl.**
USPC **D34/7**
- (58) **Field of Classification Search**
USPC D34/1, 7, 8, 9, 10, 11
CPC .. B65F 1/06; B65F 1/163; B65F 1/062; B65F 1/1607; B65F 1/1605; B65F 1/16; B65F 1/14; B65F 2220/12; B65F 2230/00; B65F 2250/1146
See application file for complete search history.

(56) **References Cited**

U.S. PATENT DOCUMENTS

- D587,566 S * 3/2009 Albrecht D9/424
- D593,269 S * 5/2009 Weiler D32/53
- D644,389 S * 8/2011 Roberts D34/7
- D806,974 S * 1/2018 Lloyd D34/7

- D813,288 S * 3/2018 LeBeau D16/200
- D835,374 S * 12/2018 Yang D34/7
- D900,422 S * 10/2020 Joseph D34/7
- D909,000 S * 1/2021 Grossman D34/7
- D925,153 S * 7/2021 Busch D34/1
- D936,927 S * 11/2021 Zeng D34/7
- 2010/0193534 A1 * 8/2010 Roberts B65F 1/1615
220/810
- 2021/0269236 A1 * 9/2021 Shek B65F 1/1607

* cited by examiner

Primary Examiner — Cynthia Ramirez

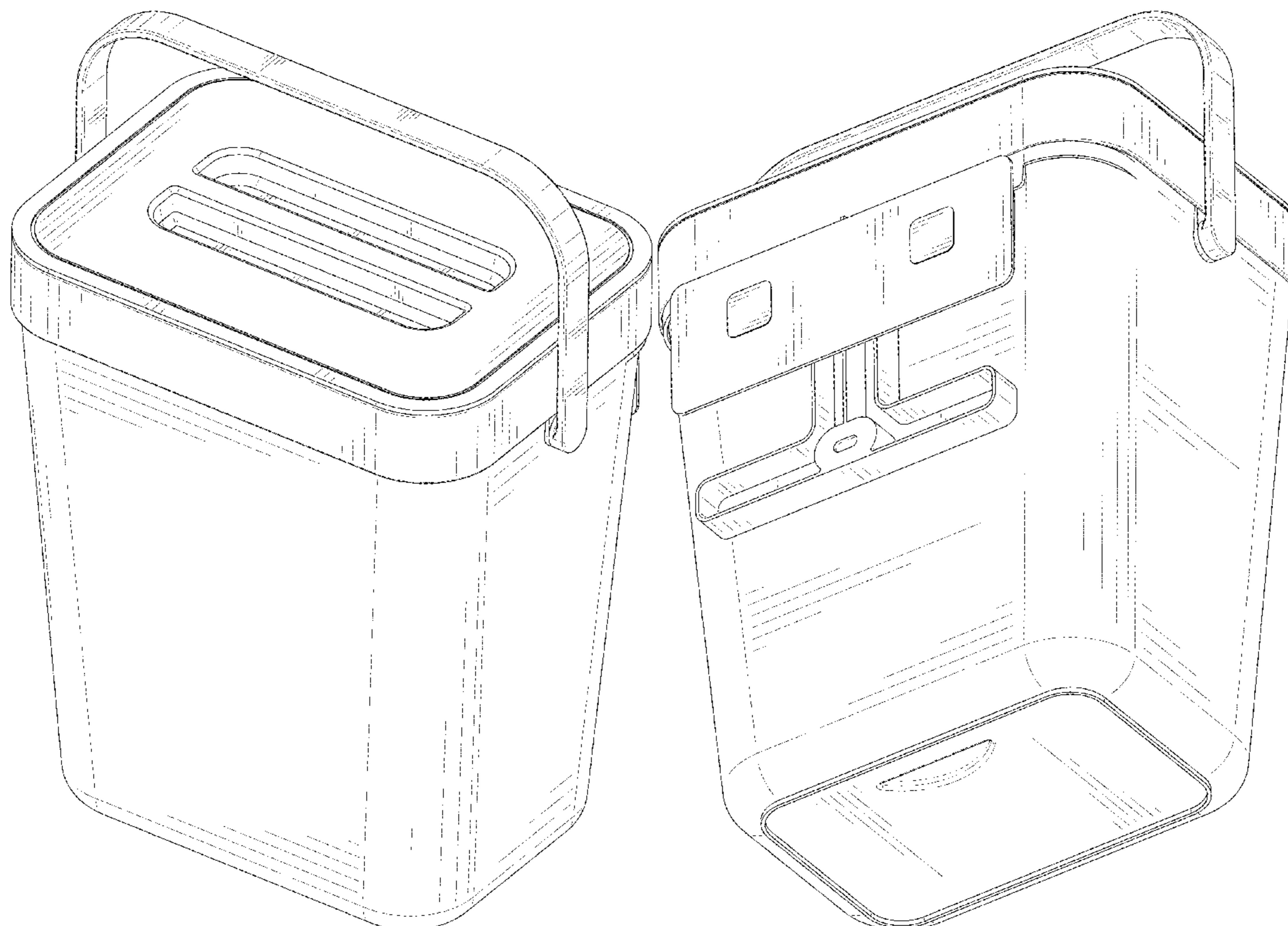
(57) **CLAIM**

The ornamental design for a trash can, as shown and described.

DESCRIPTION

FIG. 1 is a perspective view of a trash can showing my new design;
 FIG. 2 is another perspective view thereof;
 FIG. 3 is a front elevational view thereof;
 FIG. 4 is a rear elevational view thereof;
 FIG. 5 is a left side elevational view thereof;
 FIG. 6 is a right side elevational view thereof;
 FIG. 7 is a top plan view thereof;
 FIG. 8 is a bottom plan view thereof; and,
 FIG. 9 is an exploded perspective view of the trash can.
 The broken lines in the drawings depict portions of the trash can that form no part of the claimed design.

1 Claim, 9 Drawing Sheets



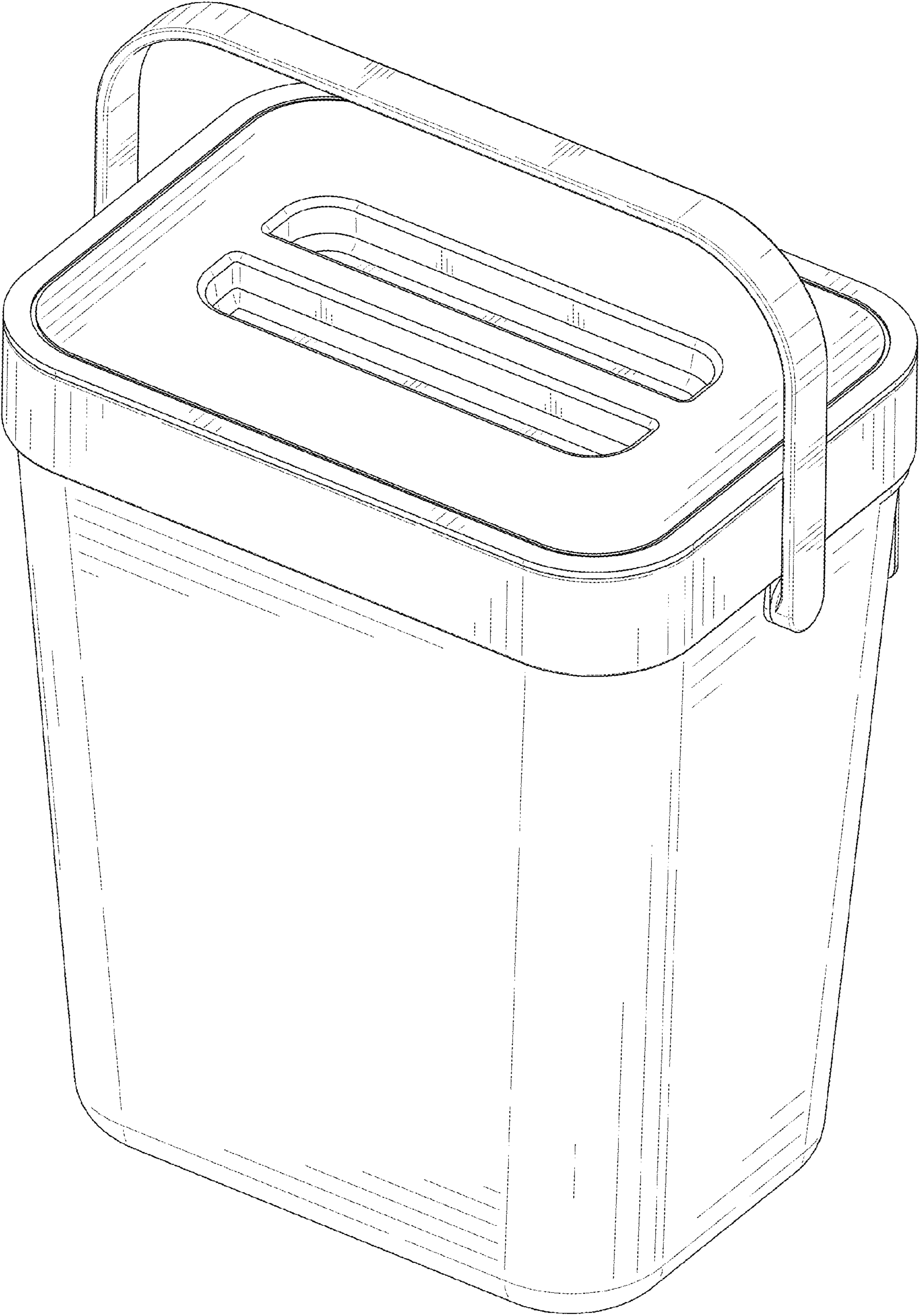


FIG. 1

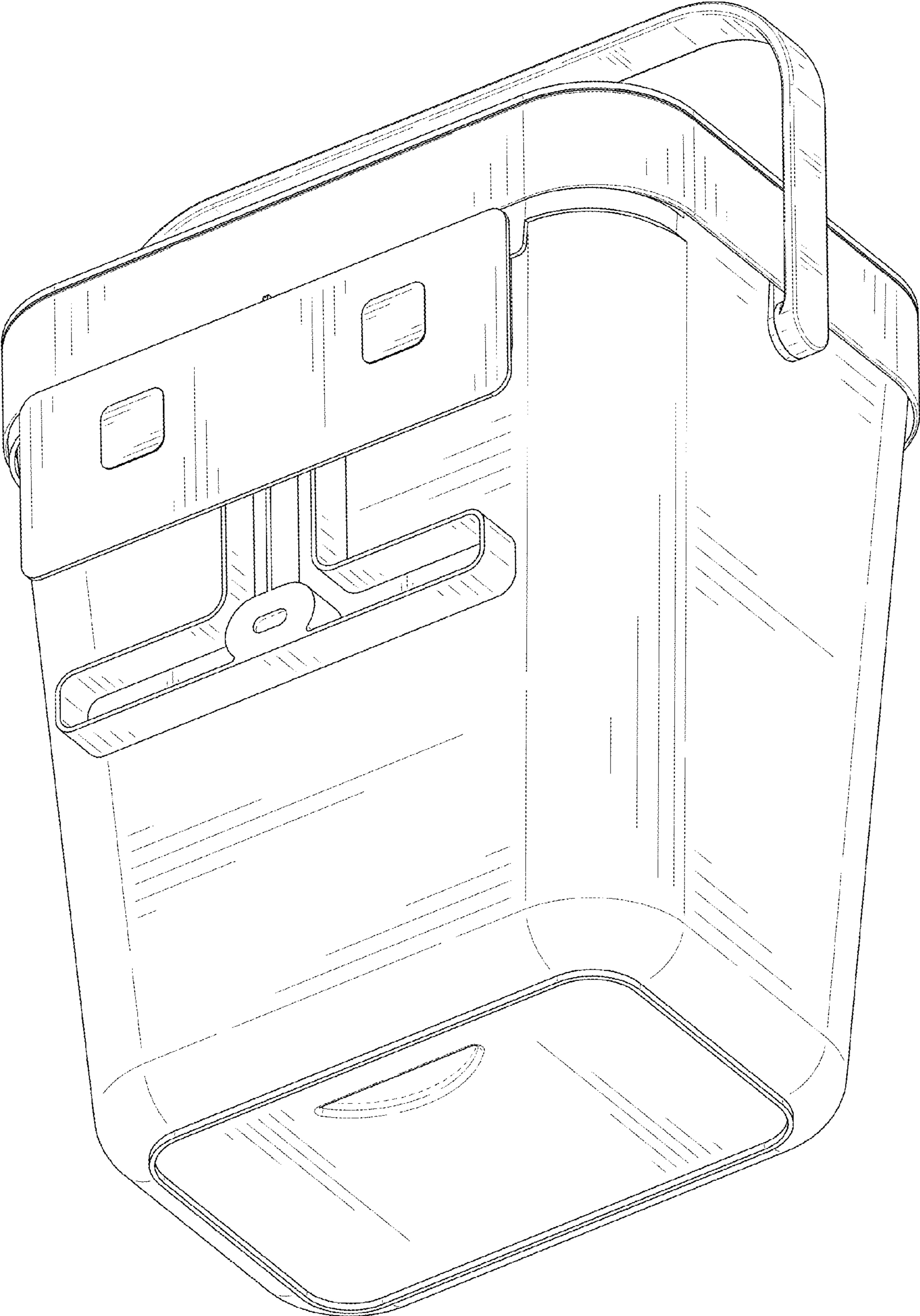


FIG. 2

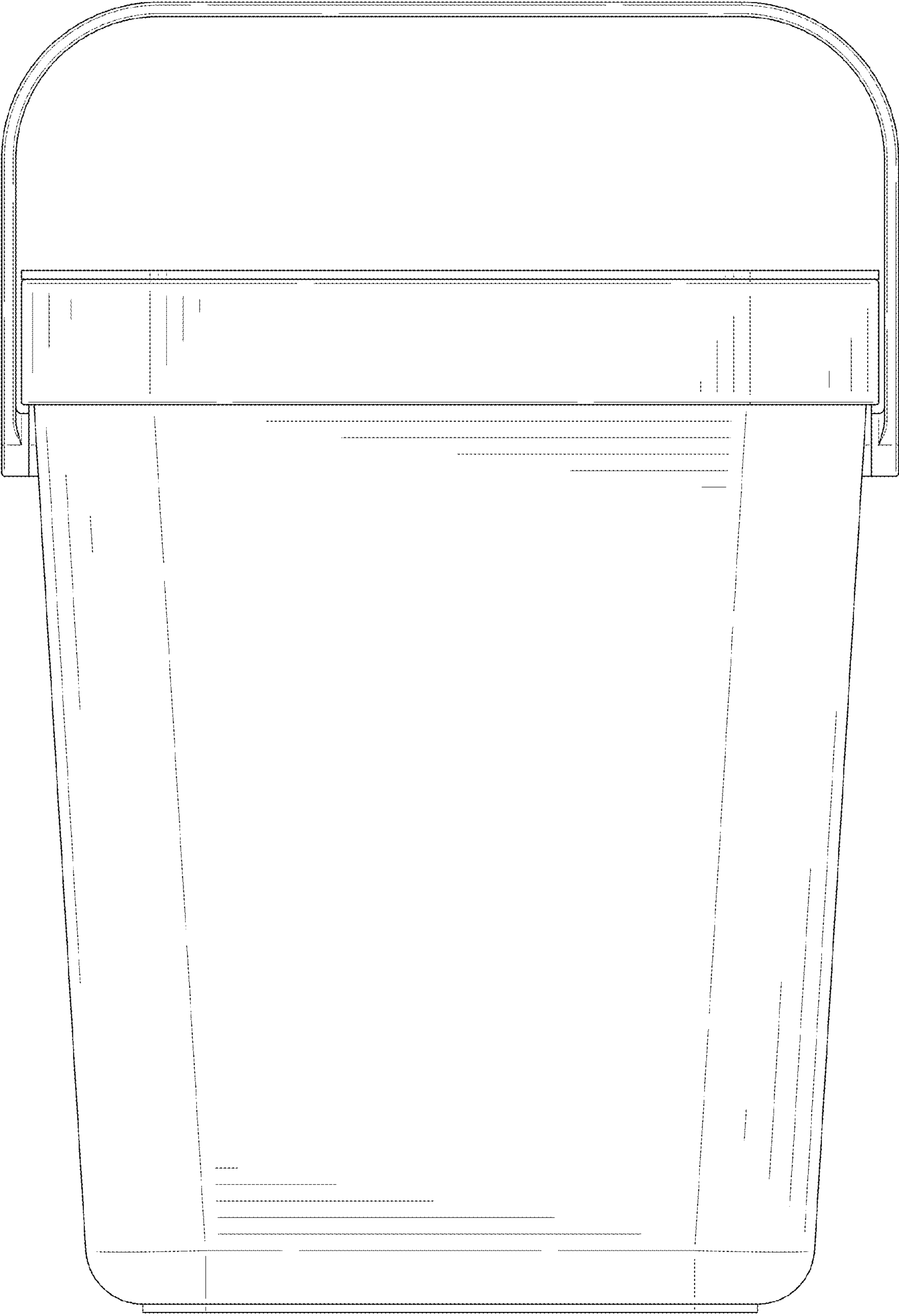


FIG. 3

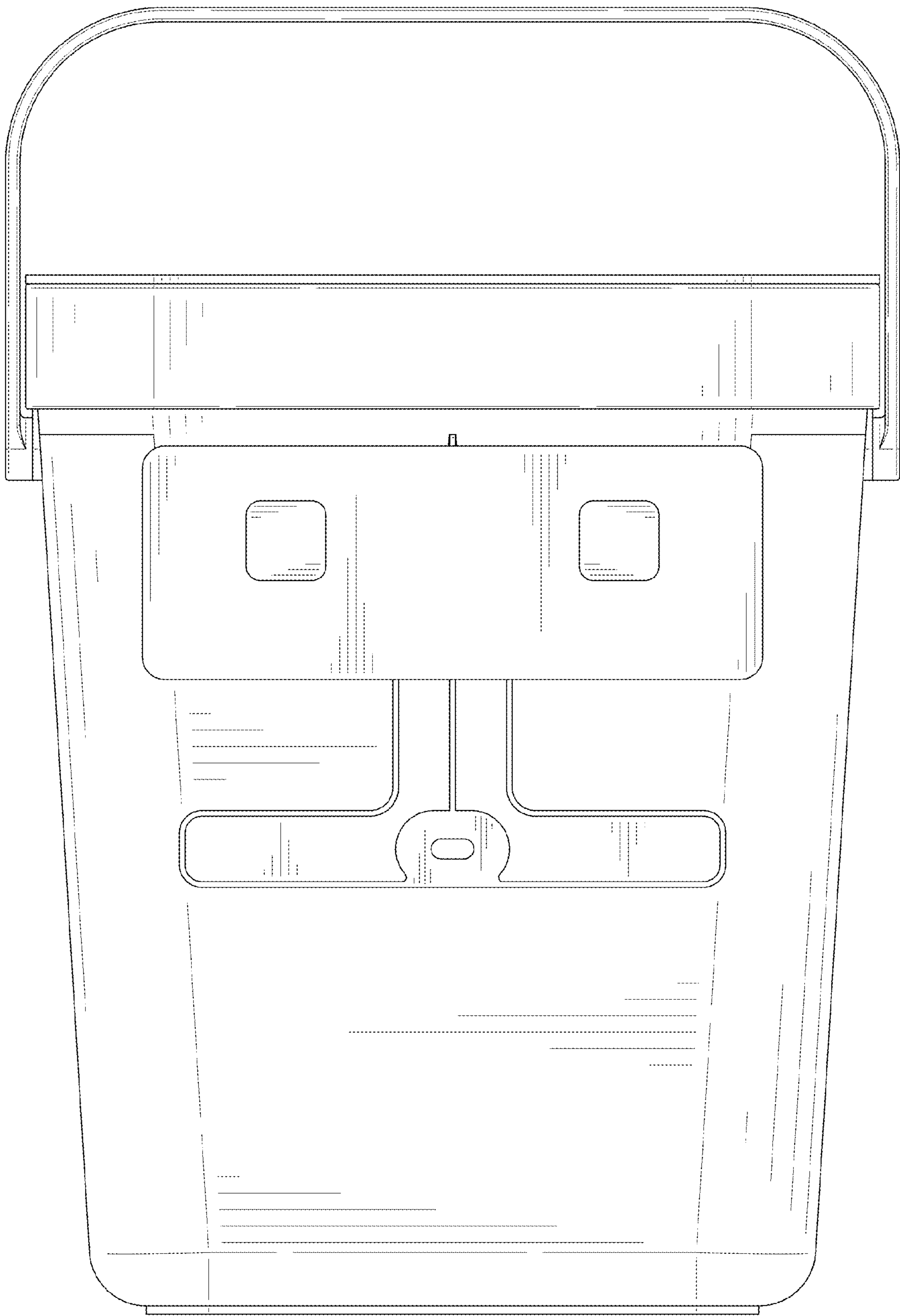


FIG. 4

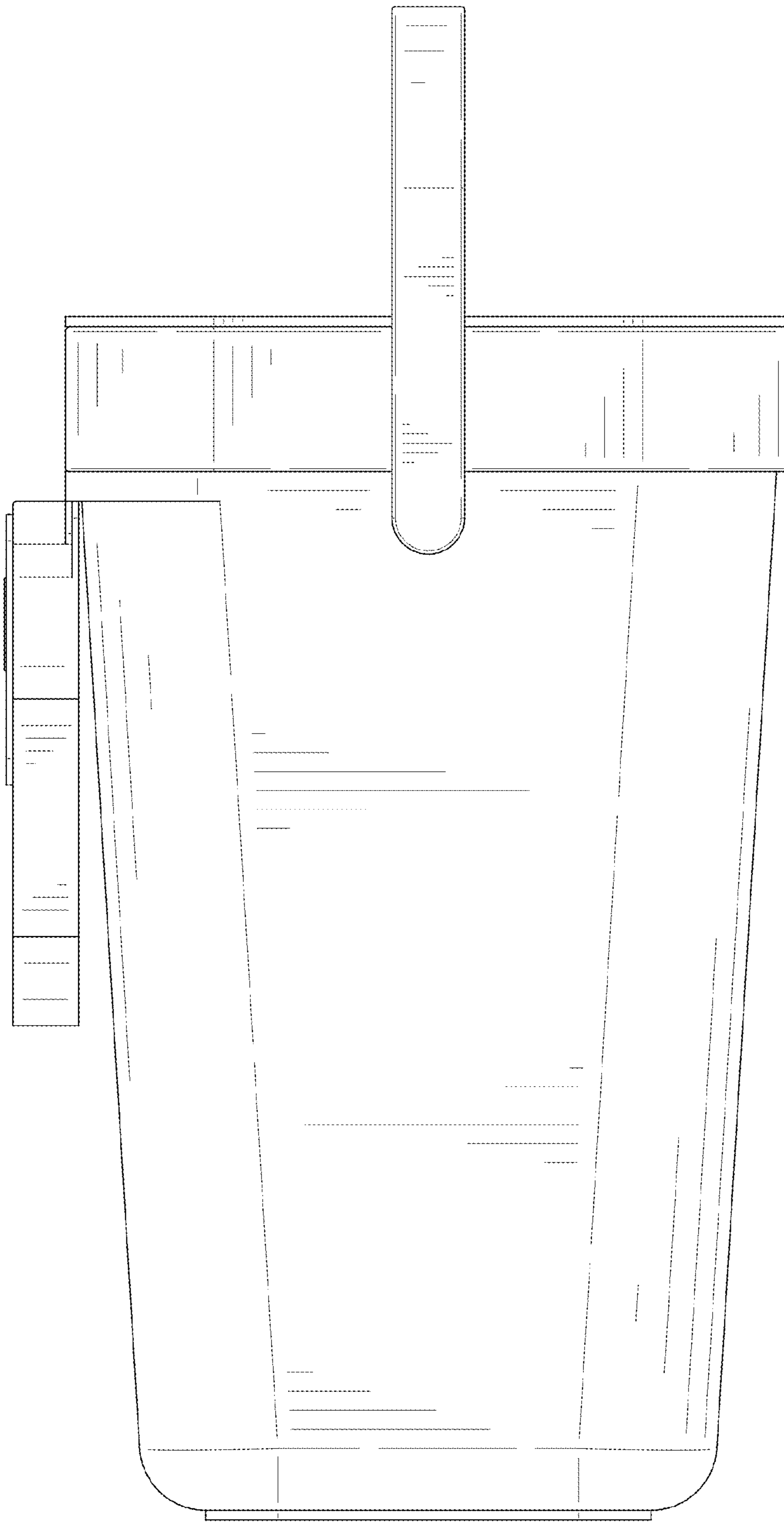


FIG. 5

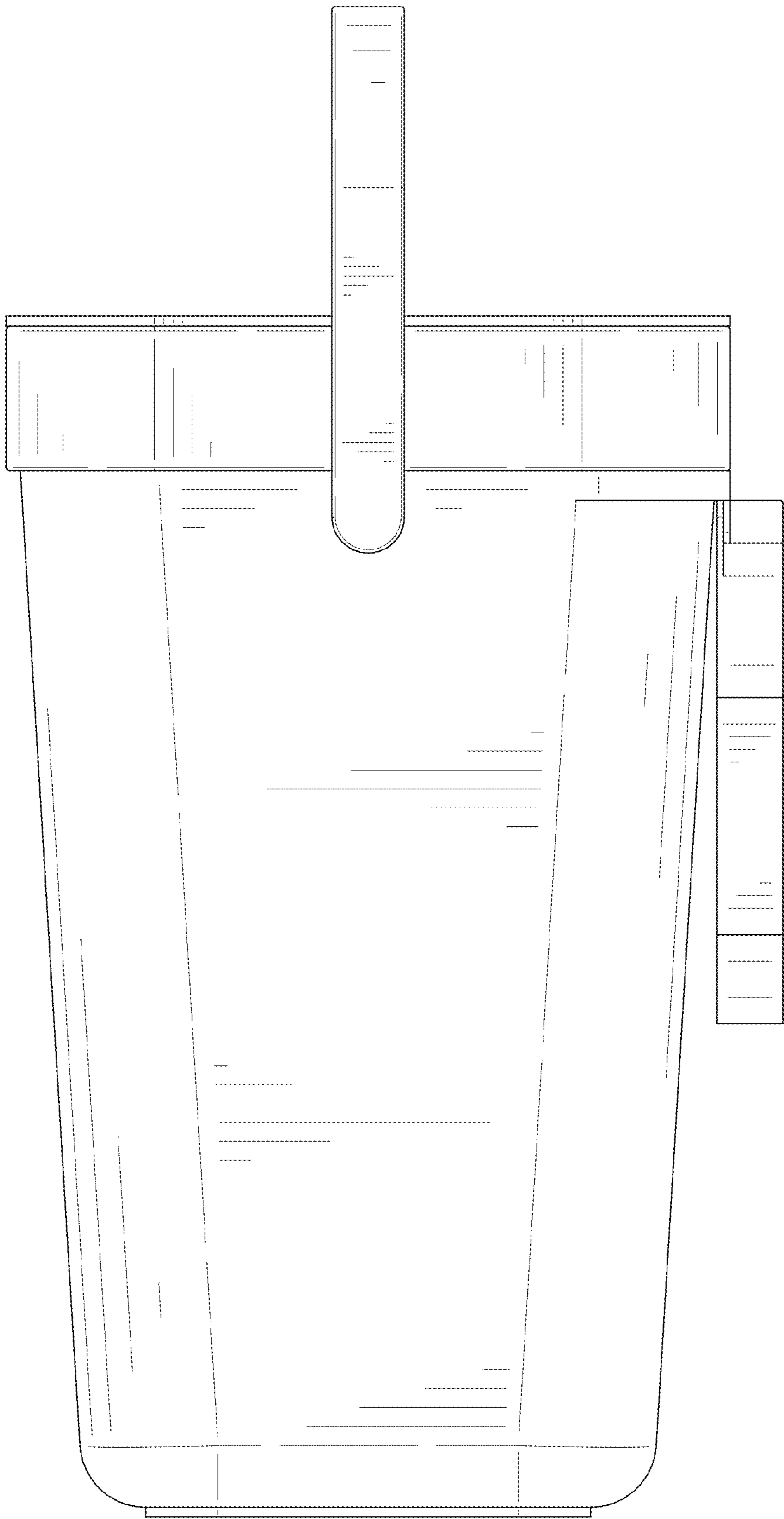


FIG. 6

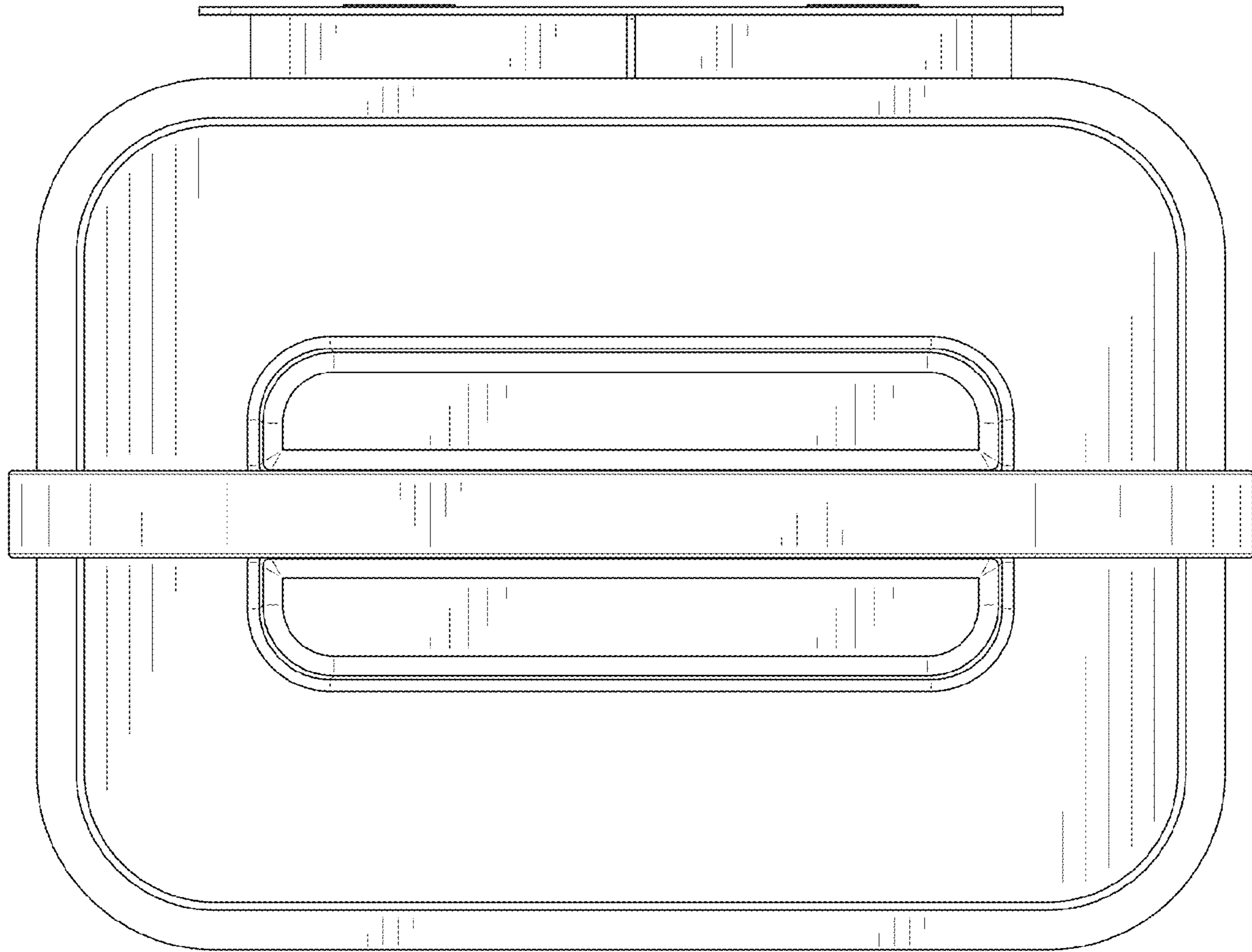


FIG. 7

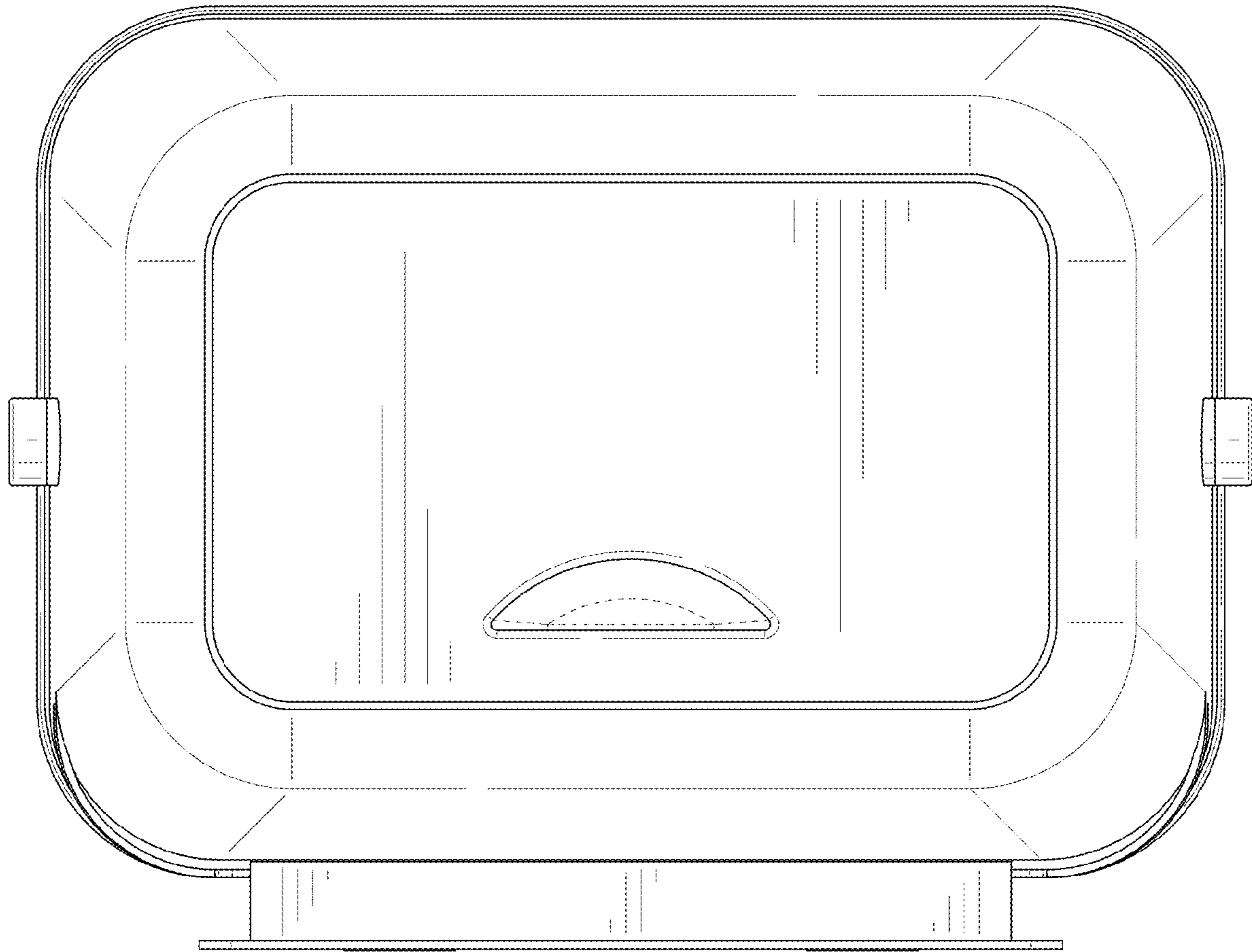


FIG. 8

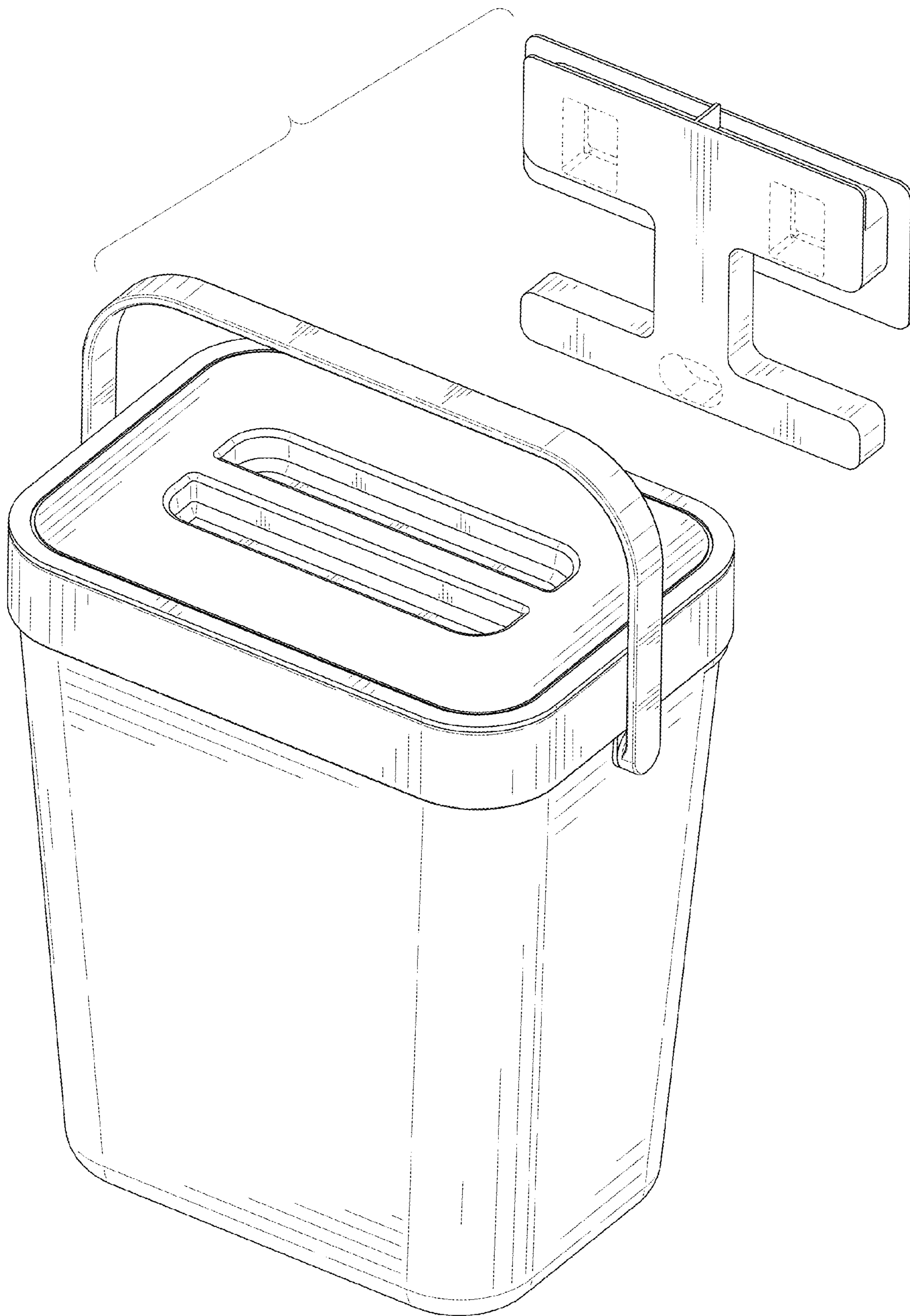


FIG. 9