



US00D945102S

(12) **United States Design Patent**  
**Ziamandanis**

(10) **Patent No.:** **US D945,102 S**  
(45) **Date of Patent:** **\*\* Mar. 1, 2022**

- (54) **EXTENDED MOP HANDLE**
- (71) Applicant: **Peter J. Ziamandanis**, Albany, NY  
(US)
- (72) Inventor: **Peter J. Ziamandanis**, Albany, NY  
(US)
- (\*\*) Term: **15 Years**
- (21) Appl. No.: **29/777,880**
- (22) Filed: **Apr. 8, 2021**

5,007,664 A	4/1991	Mann	
5,137,317 A	8/1992	Bieniek	
5,400,471 A	3/1995	Lichfield et al.	
D359,605 S *	6/1995	Janikowski	D32/50
D376,742 S *	12/1996	Filowiak	D8/13
D404,982 S *	2/1999	Fluent	D8/11
5,887,921 A	3/1999	Rapoport et al.	
6,199,245 B1	3/2001	Blessing	
D458,721 S *	6/2002	Clarke	D32/51

(Continued)

**Related U.S. Application Data**

- (63) Continuation-in-part of application No. 29/733,307, filed on Apr. 30, 2020, now abandoned, which is a continuation-in-part of application No. 16/244,766, filed on Jan. 10, 2019, now abandoned, application No. 29/777,880, filed on Apr. 8, 2021, which is a continuation-in-part of application No. 29/733,310, filed on Apr. 30, 2020, now abandoned, which is a continuation-in-part of application No. 16/244,766, application No. 29/777,880, filed on Apr. 8, 2021, which is a continuation-in-part of application No. 16/290,483, filed on Mar. 1, 2019, now abandoned, application No. 29/777,880, filed on Apr. 8, 2021, which is a continuation-in-part of application No. 16/188,710, filed on Nov. 13, 2018.

- (51) **LOC (13) Cl.** ..... **07-05**
- (52) **U.S. Cl.**  
USPC ..... **D32/51**
- (58) **Field of Classification Search**  
USPC ..... D32/35, 40-43, 50-52; D4/116  
CPC ..... A47L 13/10; A47L 13/12; A47L 13/52;  
A01B 1/00  
See application file for complete search history.

(56) **References Cited**

**U.S. PATENT DOCUMENTS**

- 2,244,585 A \* 6/1941 Tweit ..... A01B 1/00  
16/426
- 4,615,553 A 10/1986 Hultine

**FOREIGN PATENT DOCUMENTS**

WO WO2009012072 A1 1/2009

*Primary Examiner* — John R Yeh

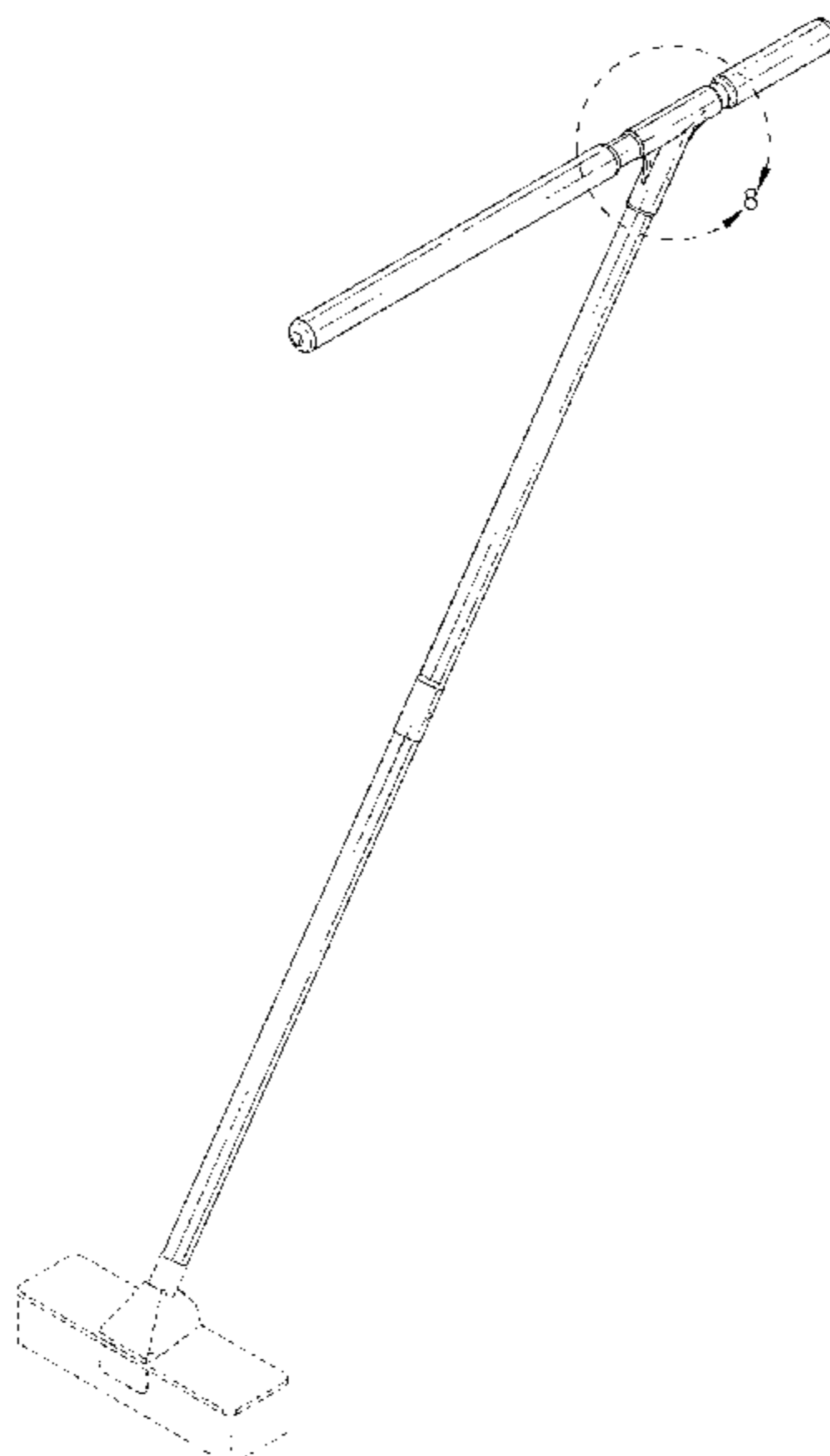
(57) **CLAIM**

The ornamental design for an extended mop handle, as shown and described.

**DESCRIPTION**

FIG. 1 is a top-front-left perspective view of an extended mop handle showing my new design;  
 FIG. 2 is a bottom-rear-right perspective view thereof;  
 FIG. 3 is a front elevational view thereof;  
 FIG. 4 is a rear elevational view thereof;  
 FIG. 5 is a left-side elevational view thereof, the right-side elevational view being mirrored thereto;  
 FIG. 6 is a top plan view thereof;  
 FIG. 7 is a bottom plan view thereof;  
 FIG. 8 is a detailed view of area 8 in FIG. 1;  
 FIG. 9 is a detailed view of area 9 in FIG. 2; and,  
 FIG. 10 is a detailed view of area 10 in FIG. 5.  
 The broken line showing a plurality of mounting apertures in FIG. 1 through 10 and an exemplary brush head in FIG. 1 through 7 is included for the purpose of showing environmental structure and forms no part of the claimed design.

**1 Claim, 10 Drawing Sheets**



(56)

**References Cited**

## U.S. PATENT DOCUMENTS

6,397,427 B1 \* 6/2002 Bryngelsson ..... B25G 1/102  
15/143.1  
6,485,076 B1 11/2002 Chang  
6,487,747 B2 \* 12/2002 Cavalheiro ..... A01B 1/00  
15/143.1  
D509,414 S \* 9/2005 Hinden ..... D8/13  
D566,917 S \* 4/2008 Renner ..... D32/50  
D590,220 S \* 4/2009 Hua ..... D8/6  
D602,664 S \* 10/2009 Crawford ..... D32/40  
D611,668 S \* 3/2010 Wessel ..... D32/50  
D626,805 S \* 11/2010 Rosaen ..... D8/13  
D694,483 S \* 11/2013 Hines ..... D32/50  
D770,599 S 11/2016 Daughters  
D801,791 S 11/2017 DePietro  
9,889,550 B1 1/2018 McNeny et al.  
D838,141 S 1/2019 Macyszyn  
D866,897 S \* 11/2019 Baxter ..... D32/50  
11,122,956 B2 \* 9/2021 Harrington ..... B05B 12/002  
2003/0192709 A1 \* 10/2003 Sandholzer ..... A01B 1/14  
172/1  
2011/0119846 A1 \* 5/2011 Stokes ..... A46B 17/02  
15/105  
2013/0291893 A1 \* 11/2013 Stokes ..... A46B 17/02  
134/6  
2014/0132015 A1 5/2014 Stachowski  
2016/0007725 A1 \* 1/2016 Mallett ..... A46B 5/00  
15/144.2  
2019/0167063 A1 \* 6/2019 Balz ..... A46B 15/0055

\* cited by examiner

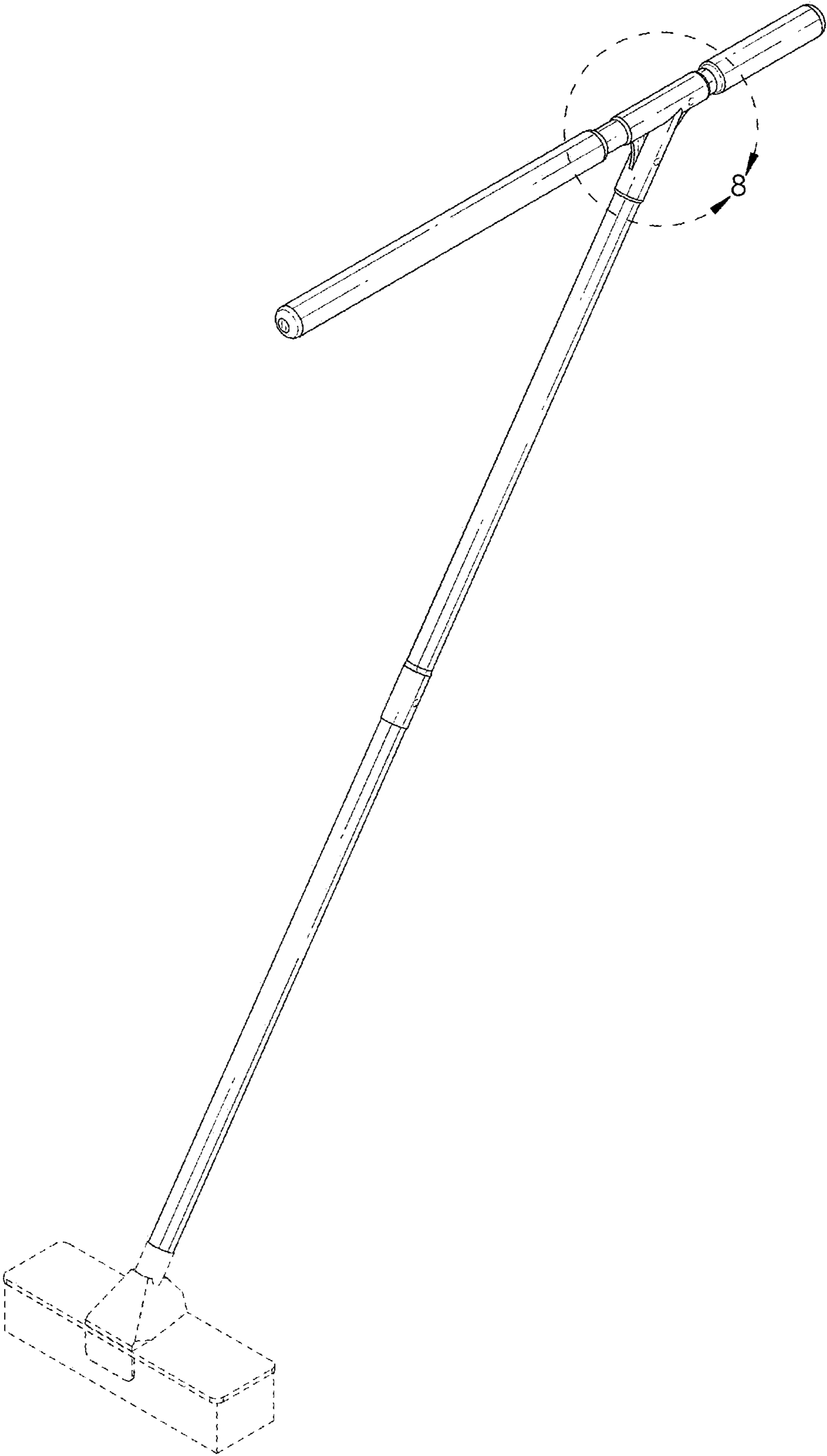


FIG. 1

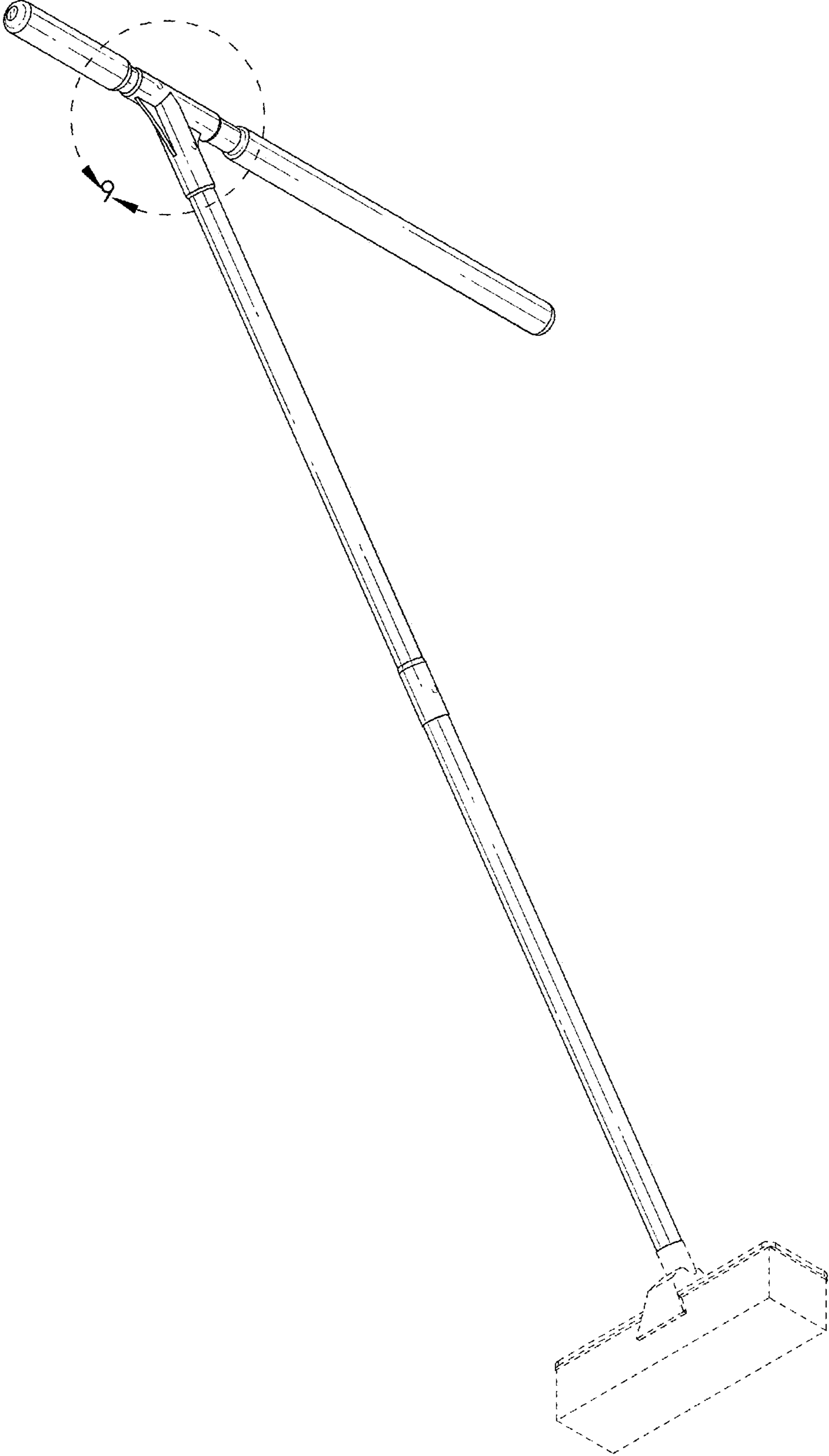


FIG. 2

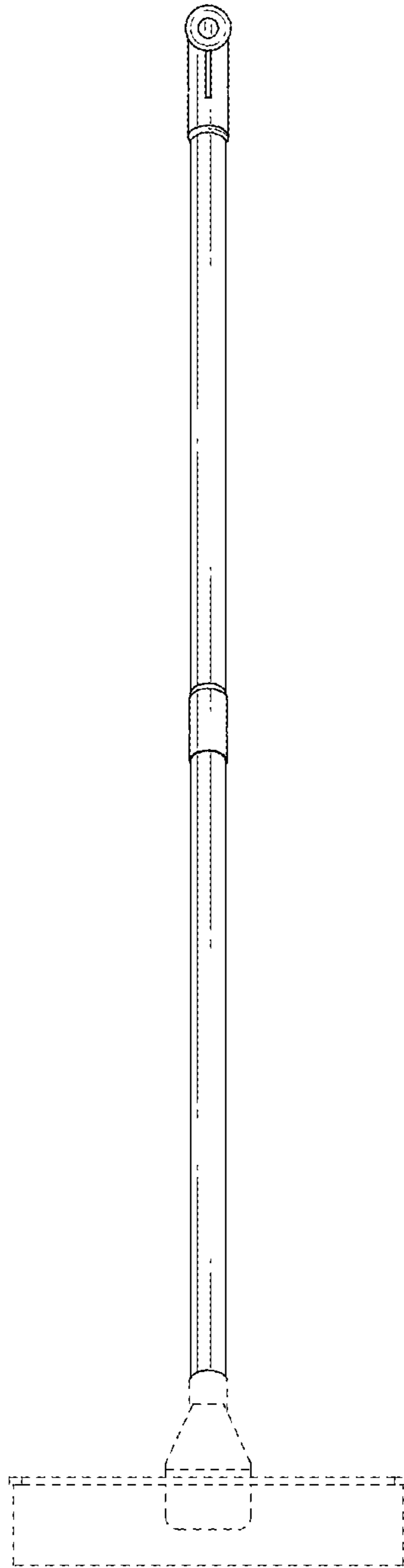


FIG. 3

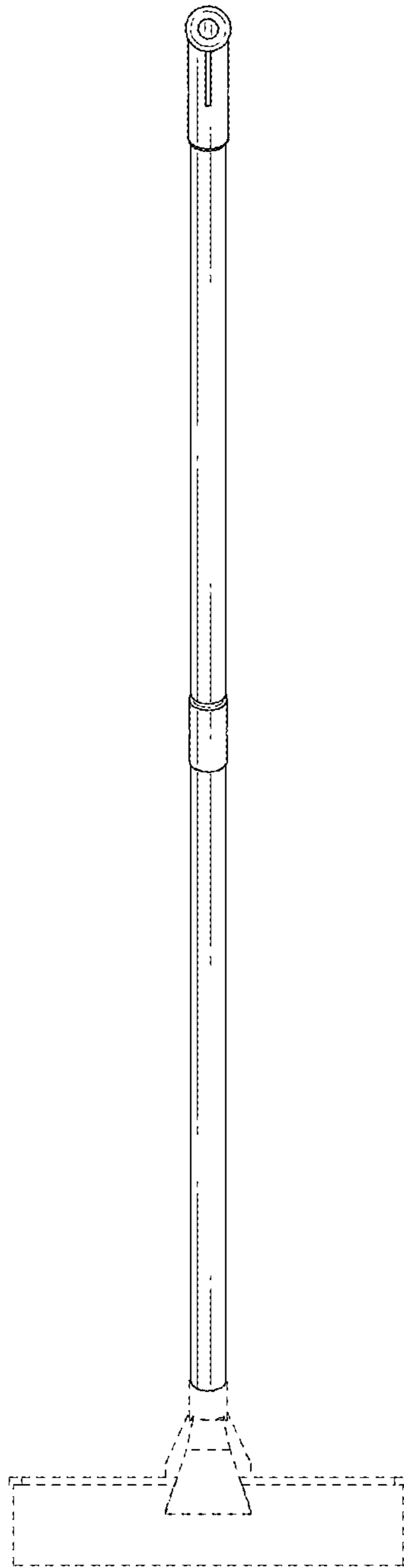


FIG. 4

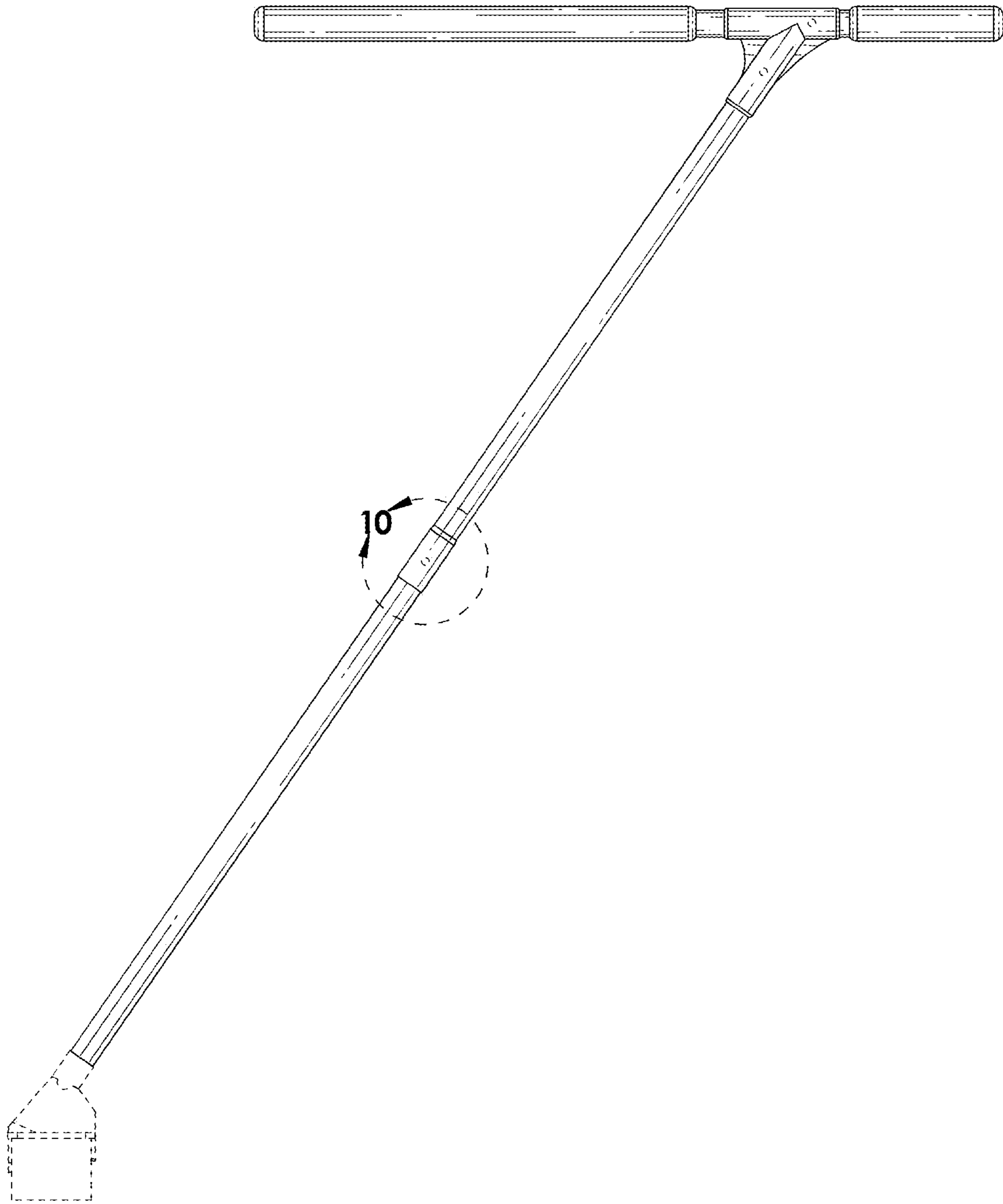


FIG. 5

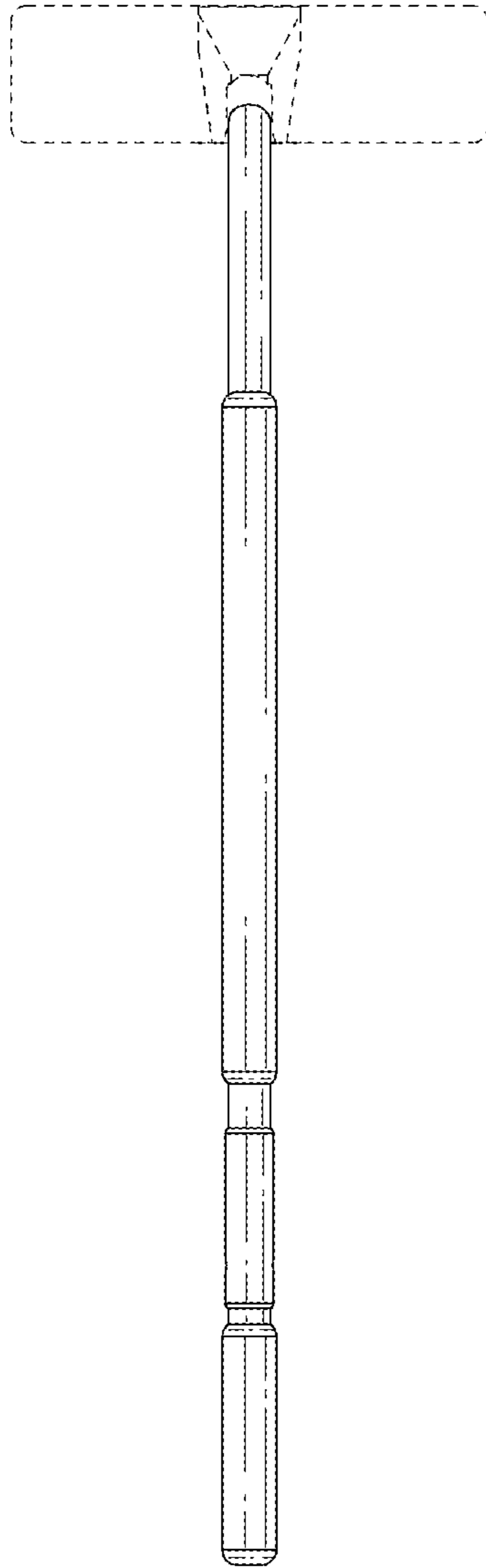


FIG. 6



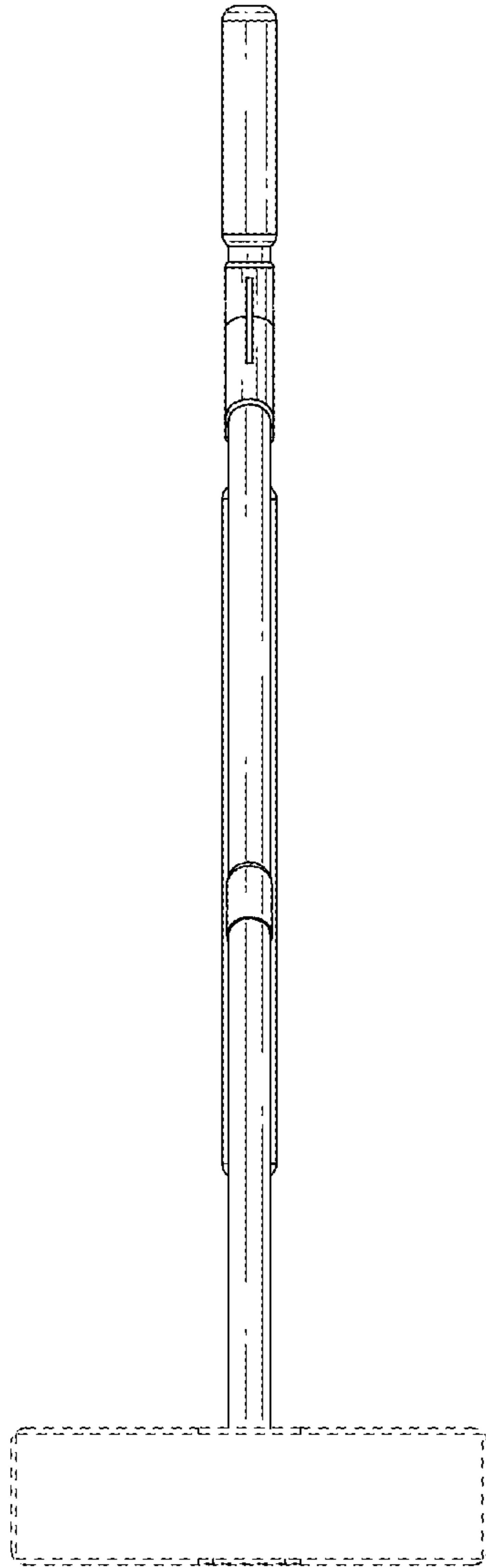


FIG. 7

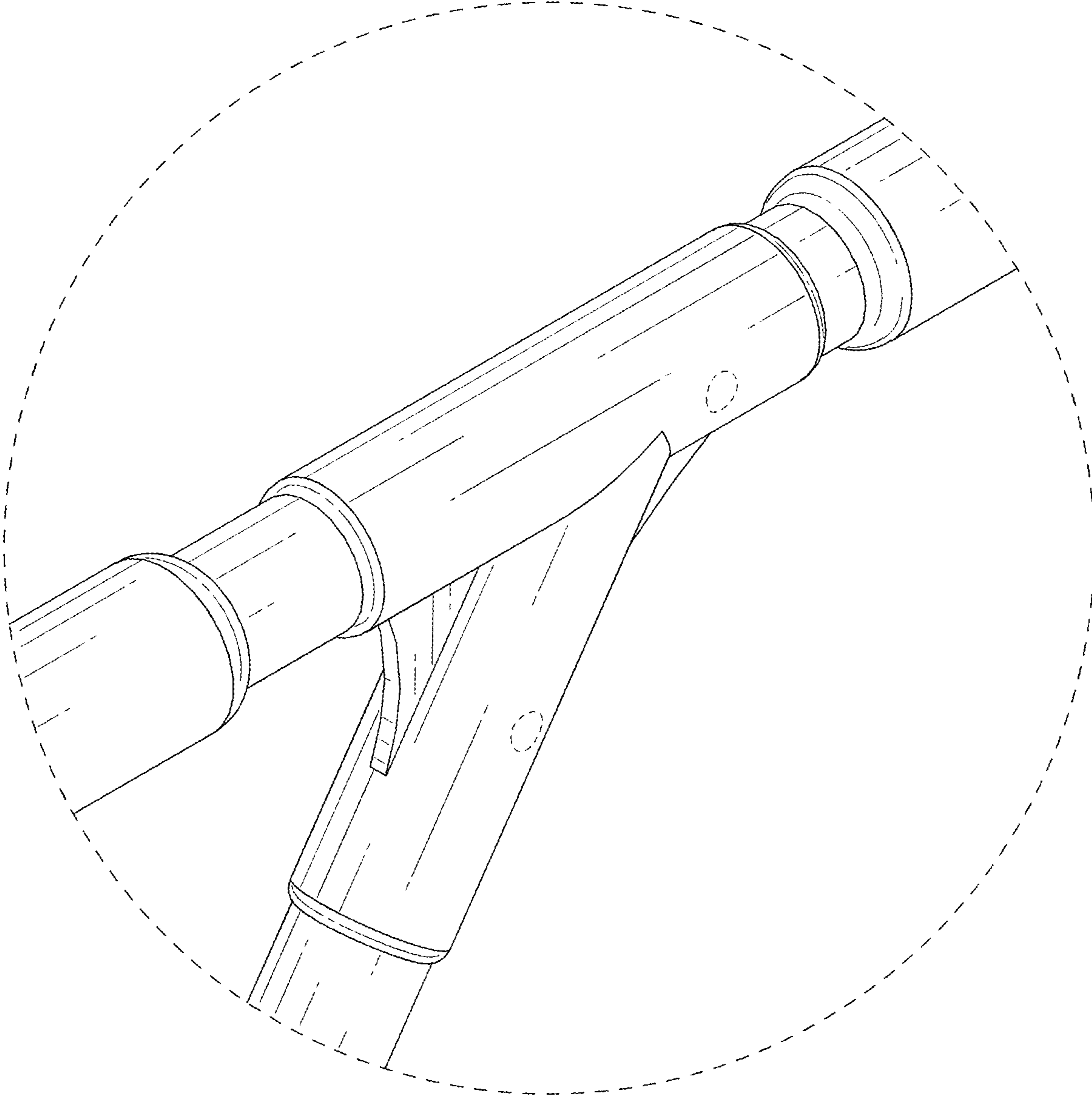


FIG. 8

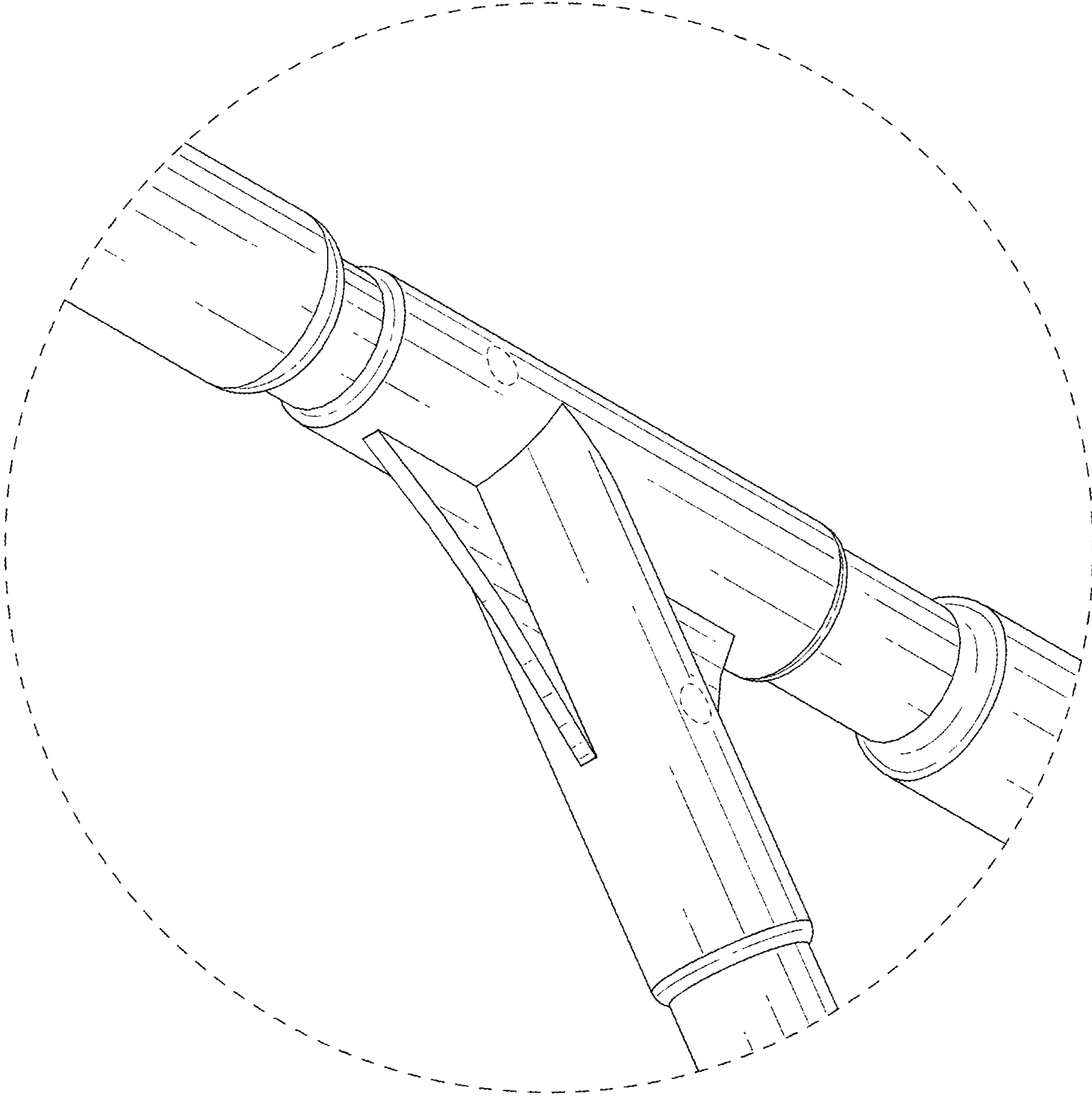


FIG. 9

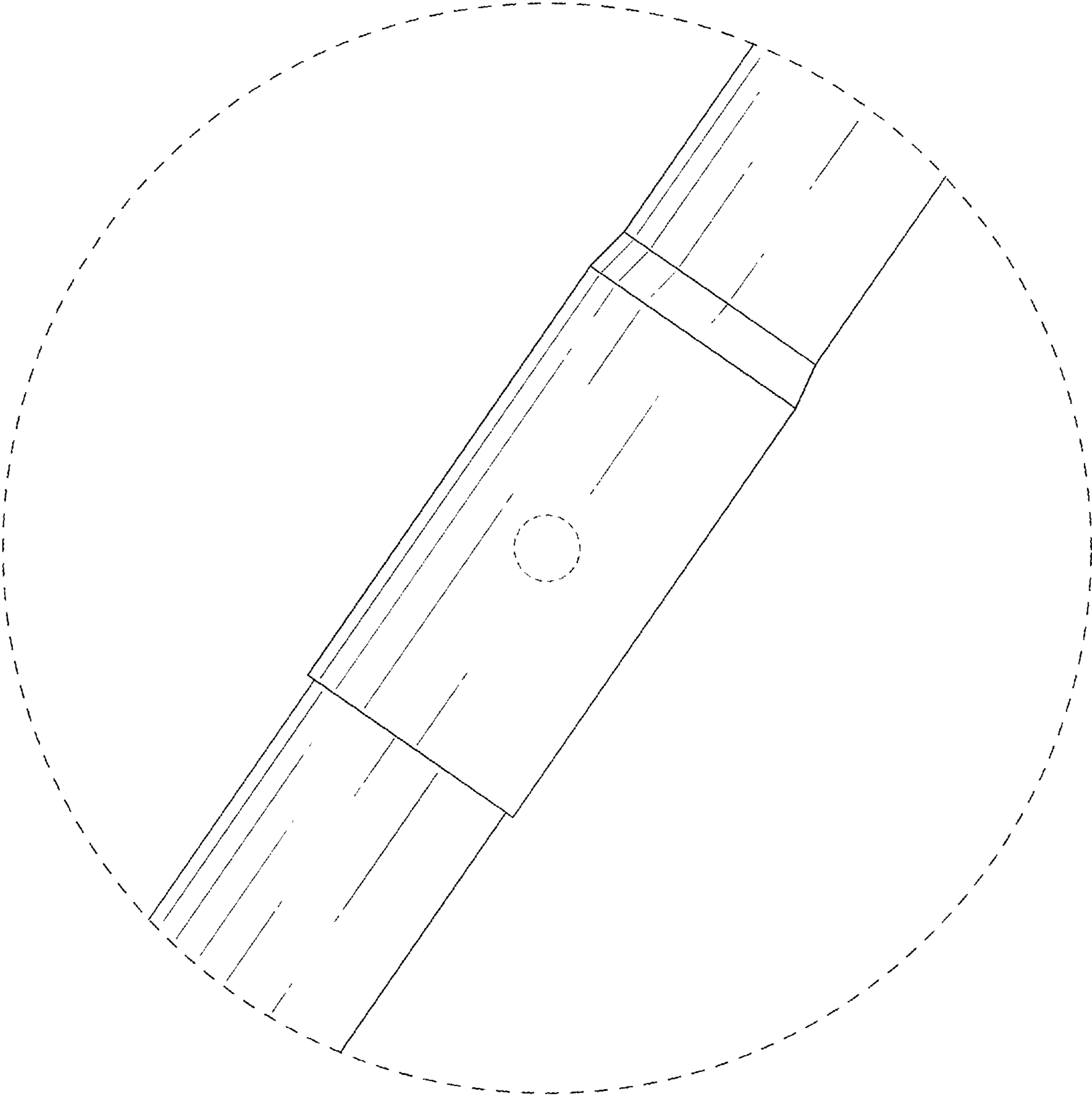


FIG. 10