



US00D945098S

(12) **United States Design Patent**
Hong et al.

(10) **Patent No.:** **US D945,098 S**
(45) **Date of Patent:** **** Mar. 1, 2022**

(54) **COVER FOR A MOBILE CLEANING ROBOT**

(71) Applicant: **iRobot Corporation**, Bedford, MA (US)

(72) Inventors: **Insun Hong**, Somerville, MA (US);
Shaojia Chen, Malden, MA (US)

(73) Assignee: **iRobot Corporation**, Bedford, MA (US)

(**) Term: **15 Years**

(21) Appl. No.: **29/746,202**

(22) Filed: **Aug. 12, 2020**

(51) **LOC (13) Cl.** **15-05**

(52) **U.S. Cl.**
USPC **D32/31; D15/199**

(58) **Field of Classification Search**
USPC D15/199; D32/21, 23-24, 31
CPC A47L 9/009; A47L 9/2805; A47L 9/2842;
A47L 9/2852; A47L 2201/00; A47L 2201/04; E04H 4/1654; E04H 4/1663;
E04H 4/1672; G05D 1/0225; G06N 3/008
See application file for complete search history.

(56) **References Cited**

U.S. PATENT DOCUMENTS

D303,584 S *	9/1989	Bakic	D28/91
D314,912 S *	2/1991	Rey Pascual	D9/500
D377,647 S *	1/1997	Fekete	D14/436
D515,426 S *	2/2006	Pace	D9/504
D548,902 S *	8/2007	Chun	D32/21
D590,391 S *	4/2009	Sumii	D14/356
D651,519 S *	1/2012	Gibson	D9/529
D661,440 S *	6/2012	Lee	D32/21
D690,478 S *	9/2013	Li	D32/21
D694,182 S *	11/2013	Lee	D13/108
8,881,339 B2 *	11/2014	Gilbert, Jr.	A47L 11/24 15/319
9,078,552 B2 *	7/2015	Han	A47L 11/4036

9,125,539 B2 *	9/2015	Kim	G05D 1/0274
D757,010 S *	5/2016	Kang	D14/420
D840,617 S *	2/2019	Dou	D32/21
D843,671 S *	3/2019	Chei	D32/21
D849,704 S *	5/2019	Kim	D14/137
D860,557 S *	9/2019	Gnielka	D32/21
D867,701 S *	11/2019	Mi	D32/31
D869,109 S *	12/2019	Yu	D32/21
D871,694 S *	12/2019	Casini	D32/21
D872,953 S *	1/2020	Ebrahimi Afrouzi	D32/21
D883,595 S *	5/2020	Lee	D32/25
D885,698 S *	5/2020	Li	D32/21
D885,699 S *	5/2020	Li	D32/21
D902,509 S *	11/2020	Ebrahimi Afrouzi	D32/21
D917,117 S *	4/2021	Cao	D32/21
D919,211 S *	5/2021	Chang	D32/21

(Continued)

Primary Examiner — Patricia A Palasik

(74) *Attorney, Agent, or Firm* — Schwegman Lundberg & Woessner, P.A.

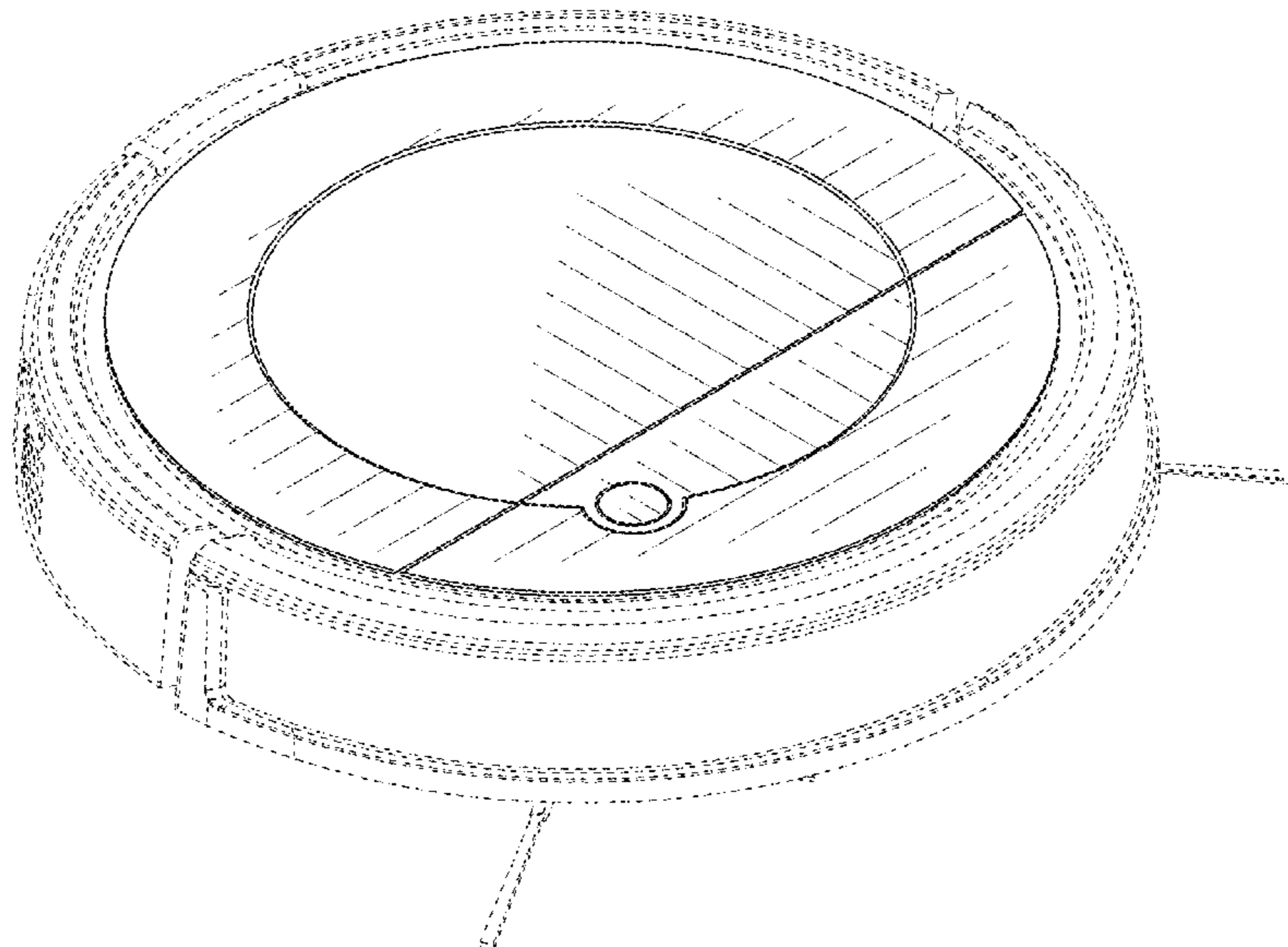
(57) **CLAIM**

The ornamental design for a cover for a mobile cleaning robot, as shown and described.

DESCRIPTION

FIG. 1 is a top-left-isometric view of our cover for a mobile cleaning robot including a body in phantom; FIG. 2 is a rear view thereof; FIG. 3 is a front view thereof; FIG. 4 is a right-side view thereof; FIG. 5 is a left-side view thereof; FIG. 6 is a top view thereof; and FIG. 7 is a bottom view thereof; and, FIG. 8 is a bottom-right-isometric view thereof. The features shown in dashed lines represent the bounds of the claimed design for illustrative purposes only, and form no part of the claimed design.

1 Claim, 6 Drawing Sheets



(56)

References Cited

U.S. PATENT DOCUMENTS

2015/0293533 A1* 10/2015 Ebrahimi Afrouzi
G05D 1/0214
701/2
2018/0265137 A1* 9/2018 Ebrahimi Afrouzi .. B62D 24/04

* cited by examiner

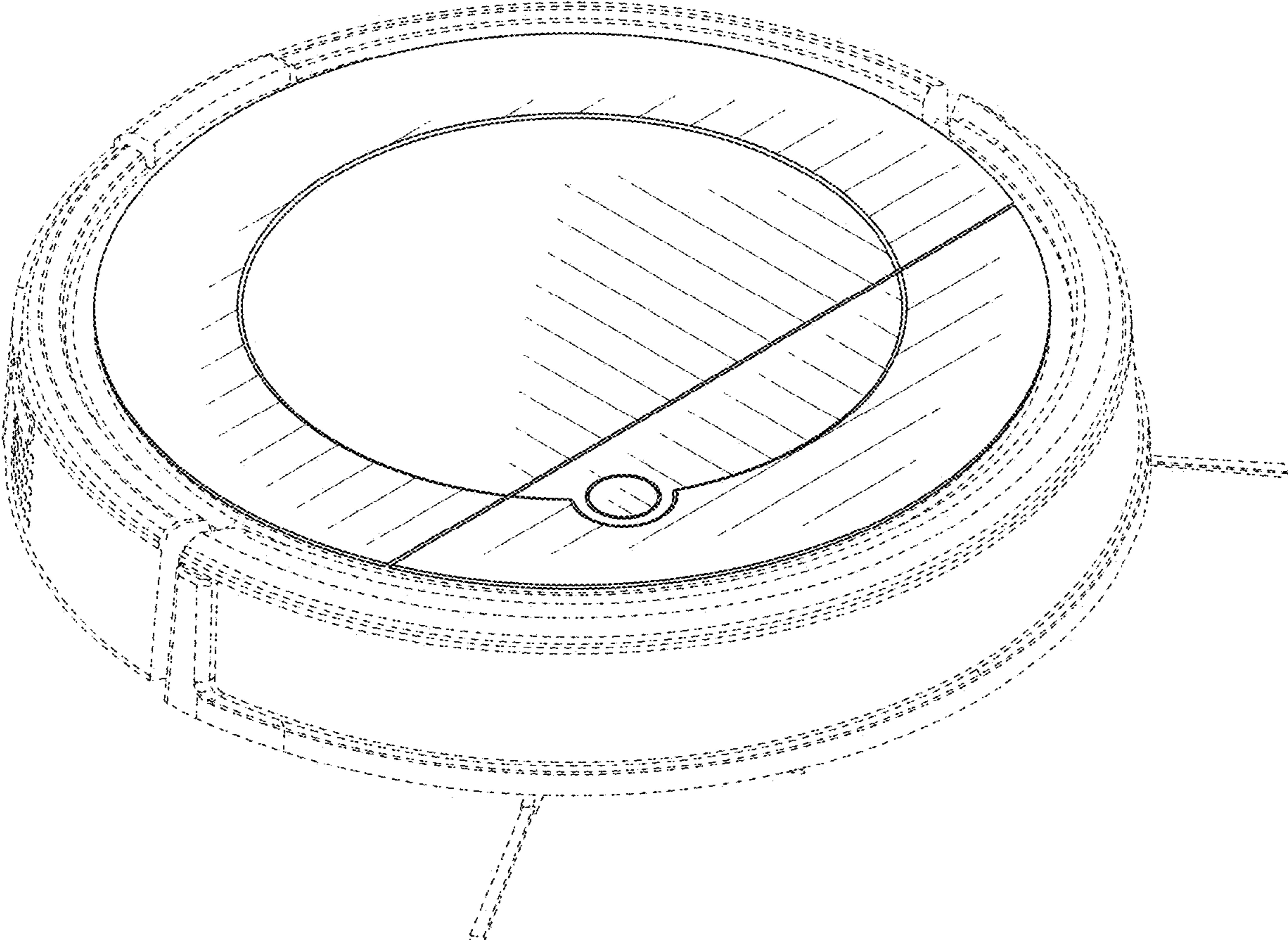


FIG. 1

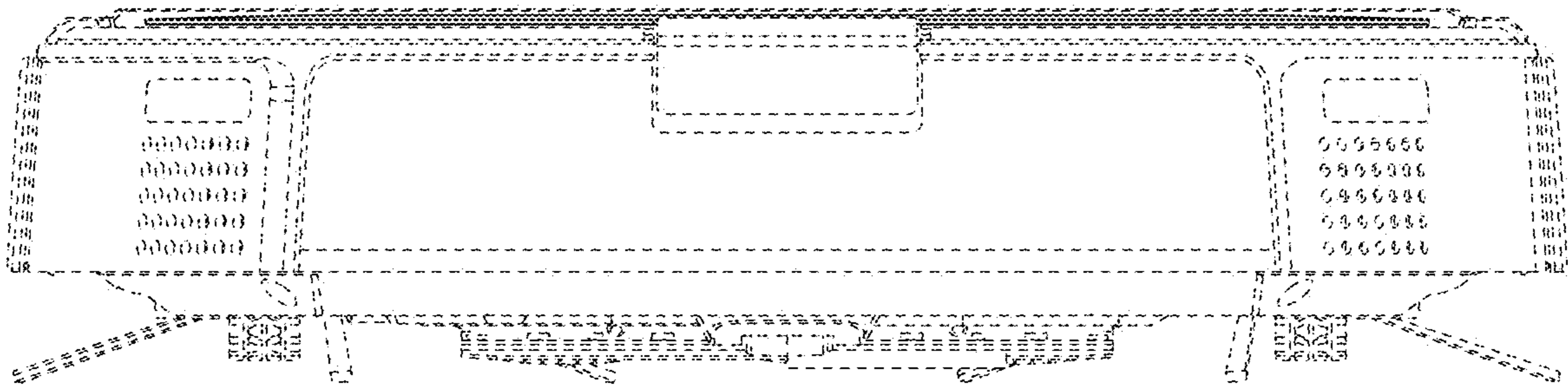


FIG. 2

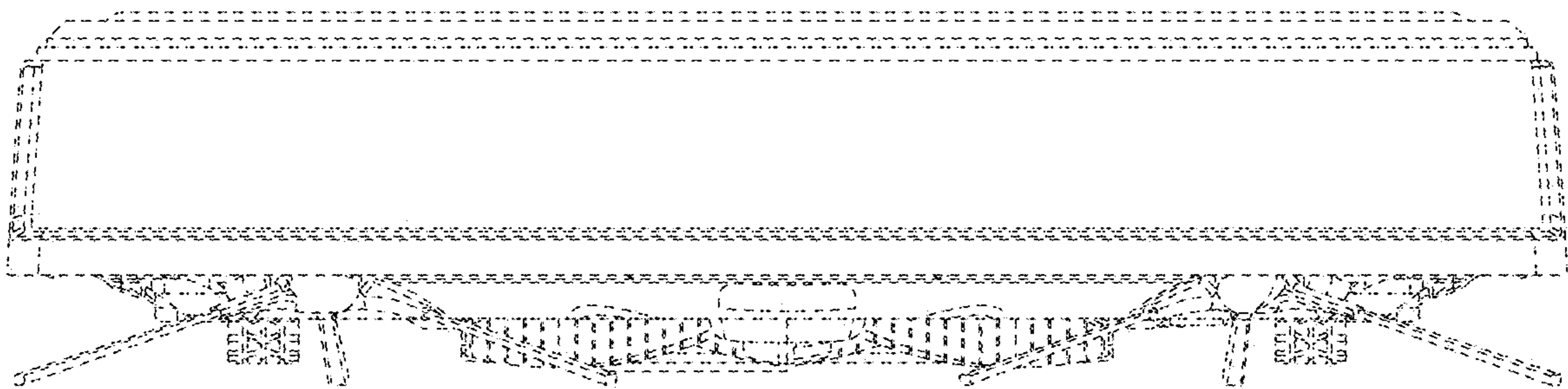


FIG. 3

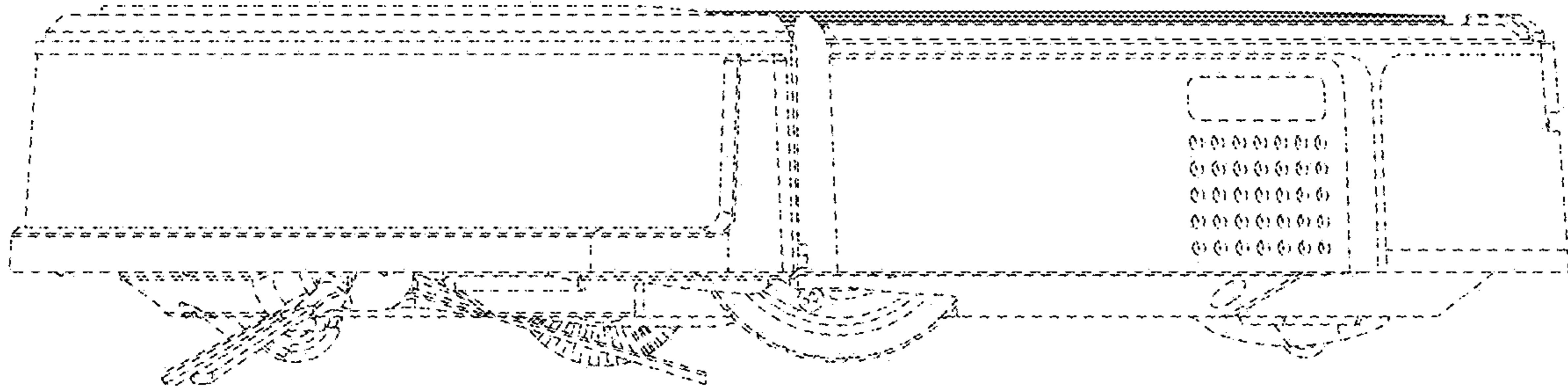


FIG. 4

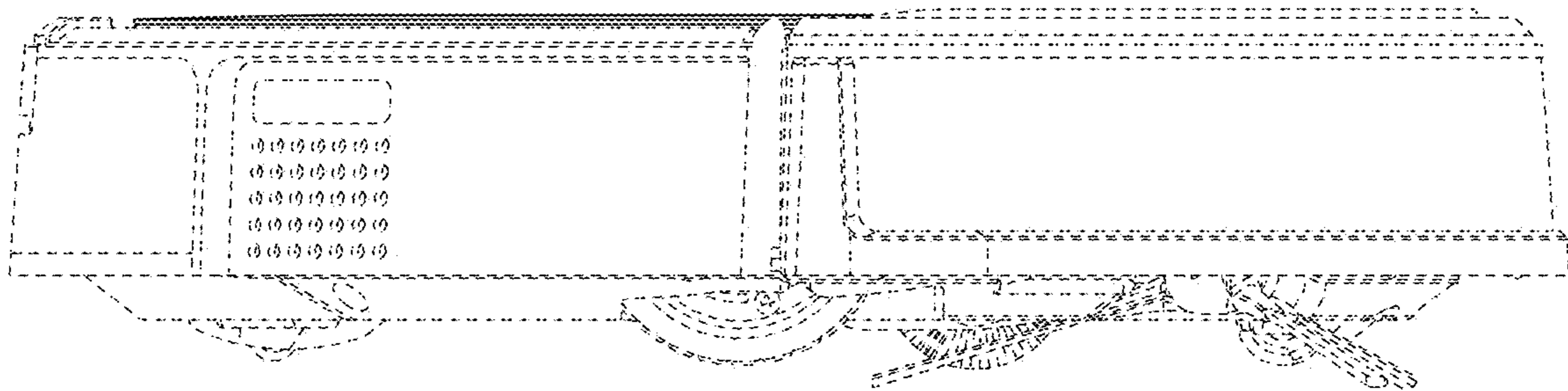


FIG. 5

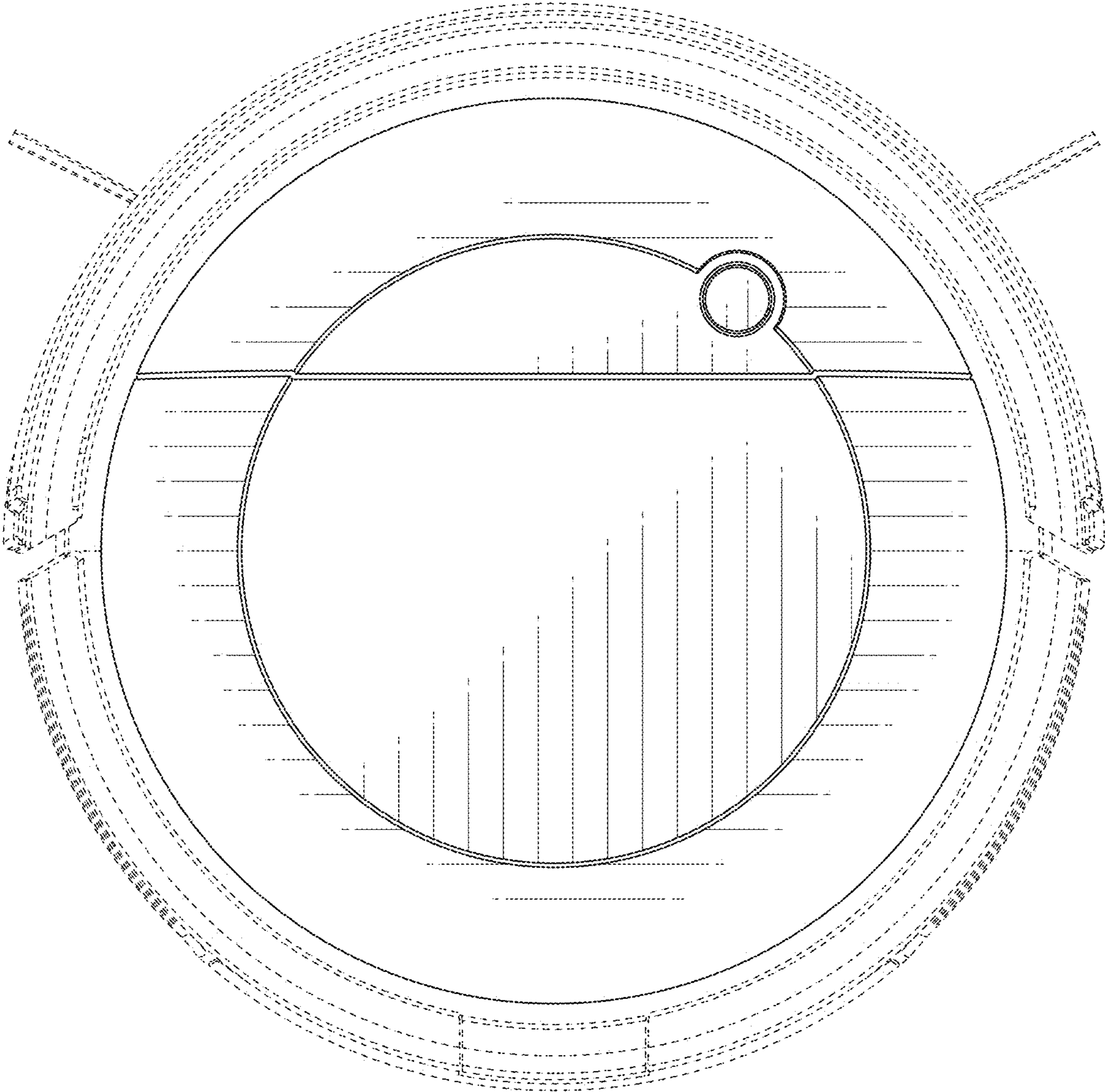


FIG. 6

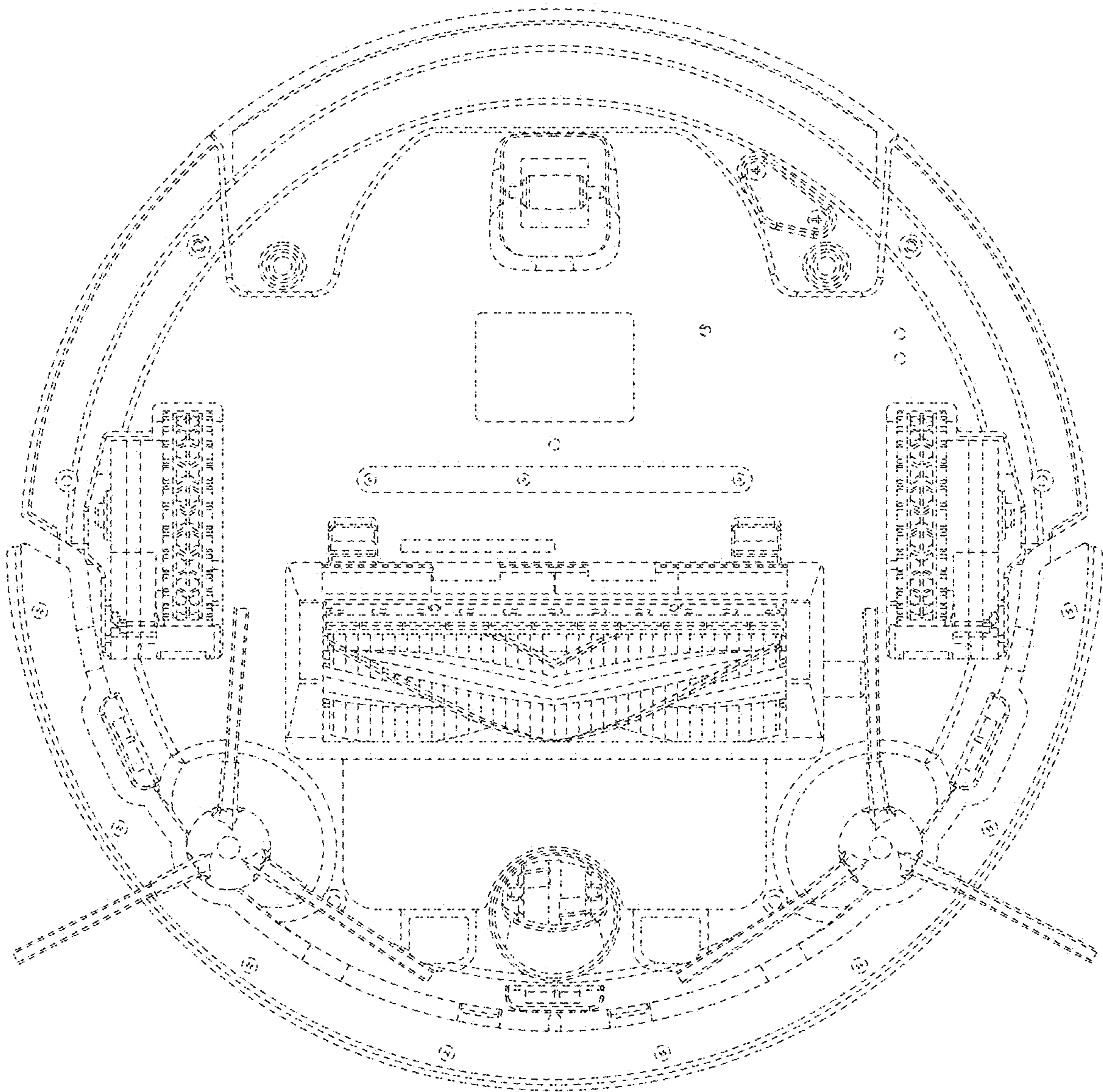


FIG. 7

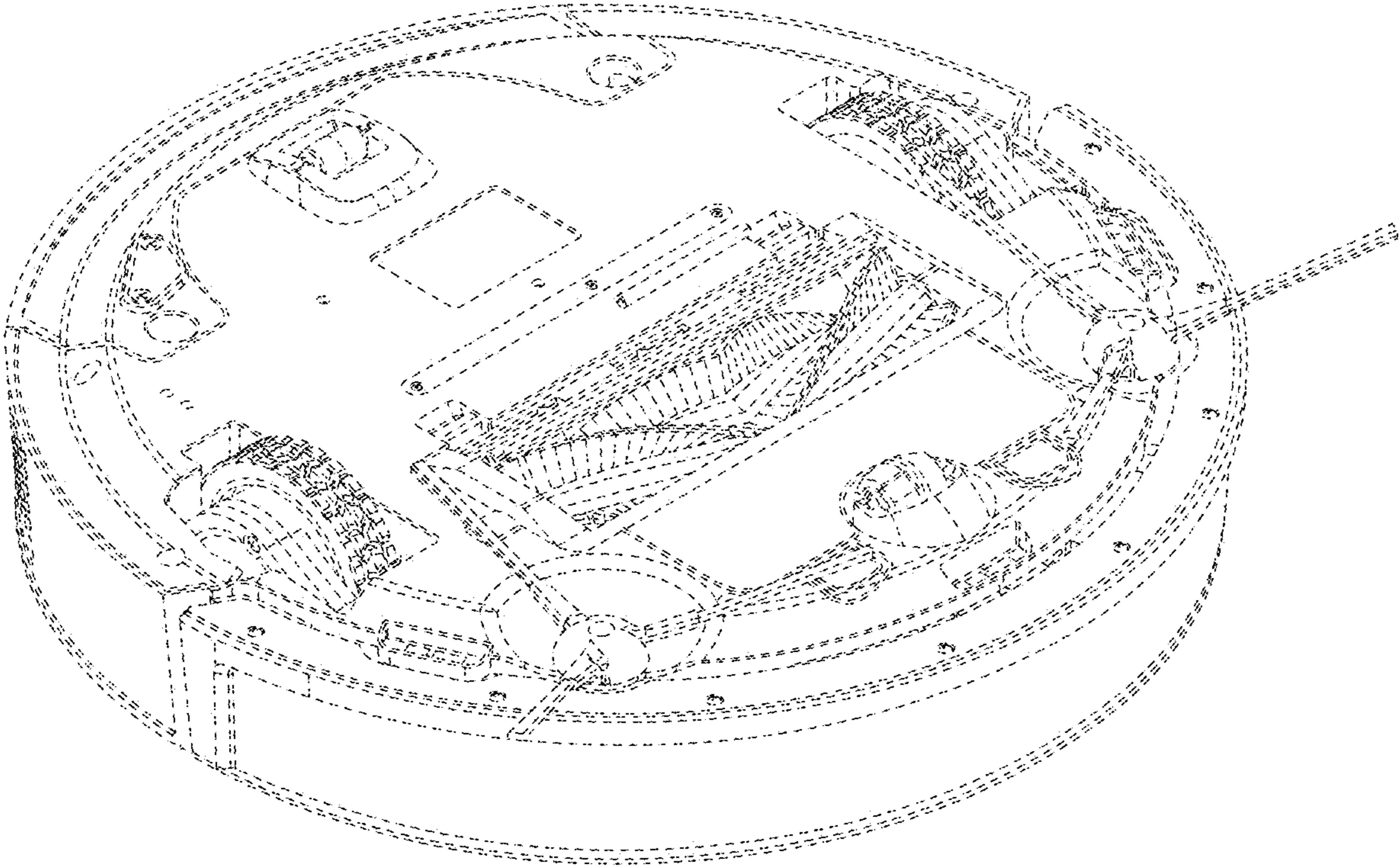


FIG. 8