



US00D945097S

(12) **United States Design Patent**  
**Mäkitalo et al.**

(10) **Patent No.:** **US D945,097 S**  
(45) **Date of Patent:** **\*\* Mar. 1, 2022**

(54) **VACUUM CLEANER**

- (71) Applicant: **Aktiebolaget Electrolux**, Stockholm (SE)
- (72) Inventors: **Elisabeth Piper Mäkitalo**, Stockholm (SE); **Christian Ågren**, Stockholm (SE); **Jonas Kristiansson**, Stockholm (SE)

(73) Assignee: **Aktiebolaget Electrolux**

(\*\*) Term: **15 Years**

(21) Appl. No.: **29/773,160**

(22) Filed: **Mar. 8, 2021**

**Related U.S. Application Data**

(62) Division of application No. 29/634,734, filed on Jan. 24, 2018, now Pat. No. Des. 915,013.

(30) **Foreign Application Priority Data**

Jul. 24, 2017 (EM) ..... 004117786  
 Jan. 24, 2018 (EM) ..... 004593077

(51) **LOC (13) Cl.** ..... **15-05**

(52) **U.S. Cl.**  
USPC ..... **D32/22**

(58) **Field of Classification Search**  
 USPC ..... D32/17, 18, 21, 22, 23, 24, 31, 32, 33, D32/34  
 CPC ..... A47L 11/20; A47L 11/34; A47L 11/40; A47L 11/4016; A47L 5/24; A47L 5/28; A47L 7/02  
 See application file for complete search history.

(56) **References Cited**

**U.S. PATENT DOCUMENTS**

D509,934 S 9/2005 Santiago et al.  
 D562,509 S 2/2008 Lee  
 7,823,250 B2 \* 11/2010 Vander Baan ..... A47L 11/34  
 15/321

(Continued)

**OTHER PUBLICATIONS**

4 Ways Electrolux Pure F9 Will Change How You Feel About Vacuuming (on-line), dated Feb. 21, 2019. Retrieved from Internet Oct. 20, 2021, URL: <https://www.harveynorman.com.au/blog/home-living/4-ways-electrolux-pure-f9-will-change-how-you-feel-about-vacuuming/> (9 pages) (Year: 2019).\*

(Continued)

*Primary Examiner* — Kimberly Barnes

(74) *Attorney, Agent, or Firm* — RatnerPrestia

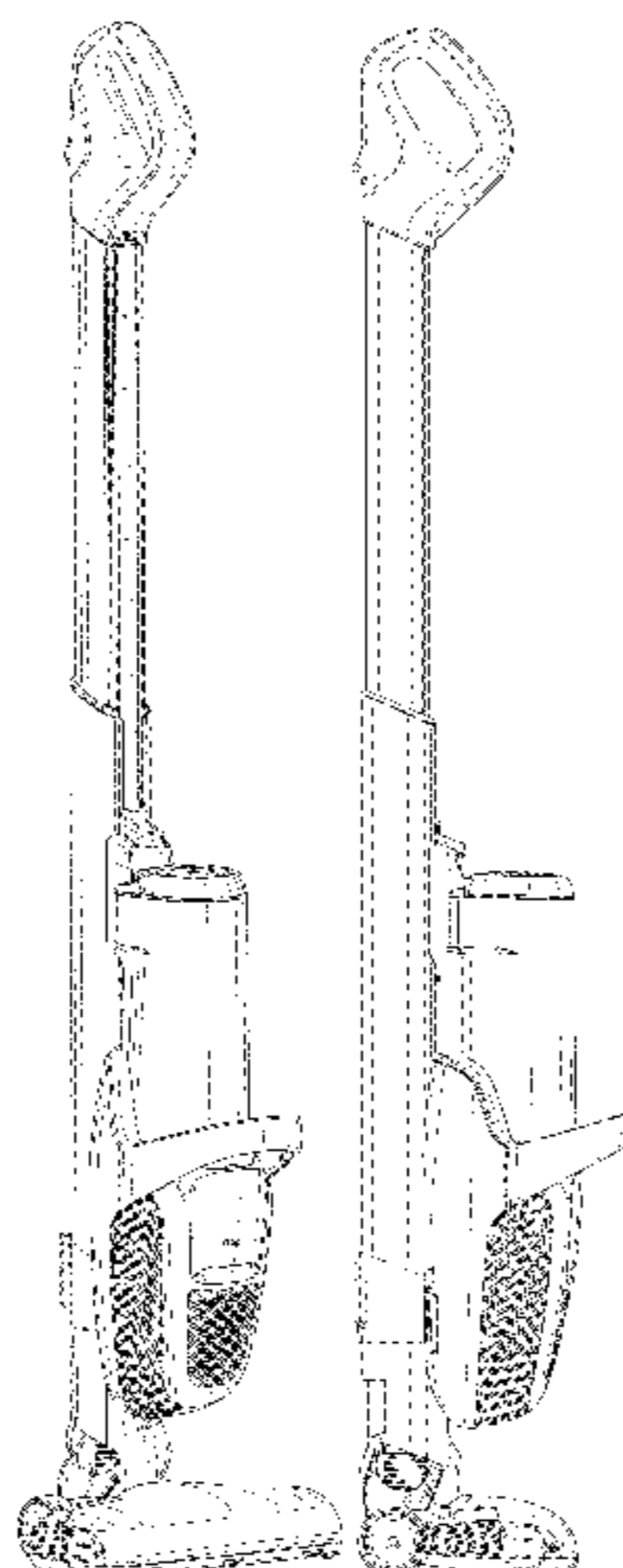
(57) **CLAIM**

The ornamental design for a vacuum cleaner, as shown and described.

**DESCRIPTION**

FIG. 1 is a left front isometric view of a vacuum cleaner showing our new design;  
 FIG. 2 is front elevation view of the vacuum cleaner of FIG. 1;  
 FIG. 3 is a rear elevation view of the vacuum cleaner of FIG. 1;  
 FIG. 4 is a left elevation view of the vacuum cleaner of FIG. 1;  
 FIG. 5 is a right elevation view of the vacuum cleaner of FIG. 1;  
 FIG. 6 is a top plan view of the vacuum cleaner of FIG. 1; and,  
 FIG. 7 is a bottom plan view of the vacuum cleaner of FIG. 1.  
 In the drawings, the dashed broken lines indicate environmental structure that forms no part of the claimed design, and long dash-short dash-long dash lines denote boundaries of the claimed design.

**1 Claim, 7 Drawing Sheets**



(56)

References Cited

U.S. PATENT DOCUMENTS

7,891,049 B1 \* 2/2011 Miner ..... A47L 11/4077  
15/353  
D725,855 S 3/2015 Burnham et al.  
D730,001 S 5/2015 Yun et al.  
D759,919 S 6/2016 Smith et al.  
9,402,516 B2 8/2016 Pilch  
D770,106 S 10/2016 Johnson et al.  
D772,510 S 11/2016 Palladino  
D778,015 S 1/2017 Miller et al.  
D783,912 S 4/2017 Shin  
D784,636 S 4/2017 Canas et al.  
9,681,788 B2 \* 6/2017 Fan ..... A47L 5/30  
D791,421 S 7/2017 Wu et al.  
D836,863 S 12/2018 Theising et al.  
D837,469 S 1/2019 Johnson et al.  
D844,914 S 4/2019 Houghton  
D866,108 S \* 11/2019 Palladino ..... D32/45  
10,512,383 B2 \* 12/2019 Luyckx ..... A47L 7/0004  
10,716,447 B2 \* 7/2020 Shrader ..... A47L 9/2884  
10,827,902 B2 \* 11/2020 Miller ..... A47L 11/4016  
D915,013 S \* 3/2021 Makitalo ..... D32/22  
10,952,580 B1 \* 3/2021 Kim ..... A47L 9/0686  
11,058,267 B2 \* 7/2021 Svantesson ..... A47L 5/24  
D929,053 S \* 8/2021 Dong ..... D32/22  
D930,927 S \* 9/2021 Smith ..... D32/22

11,122,952 B2 \* 9/2021 Diana ..... A47L 7/0009  
2014/0208536 A1 \* 7/2014 Ni ..... A47L 11/34  
15/319  
2019/0142232 A1 \* 5/2019 McRorie ..... A47L 11/34  
15/347  
2019/0191951 A1 \* 6/2019 Rukavina ..... A47L 7/0038  
2020/0154968 A1 \* 5/2020 Terry ..... A47L 7/0009  
2020/0214526 A1 7/2020 Huang et al.  
2020/0268225 A1 8/2020 Ashbaugh et al.  
2020/0367707 A1 \* 11/2020 Dahlbeck ..... A47L 9/0072  
2021/0068598 A1 \* 3/2021 Kristiansson ..... A47L 5/24  
2021/0121030 A1 \* 4/2021 Liu ..... A47L 9/1481  
2021/0145230 A1 \* 5/2021 Paula ..... A47L 5/28

OTHER PUBLICATIONS

ELX Pure F9 Unpack Experience—YouTube (on-line), dated Sep. 5, 2018. Retrieved from Internet Oct. 20, 2021, URL: <https://www.youtube.com/watch?v=ZyY2IBFcSqQ> (1 page) (Year: 2018).  
“Electrolux launches groundbreaking cordless vacuum cleaner”, (on-line), dated Aug. 21, 2018, retrieved from the internet Nov. 21, 2020, <https://www.electroluxgroup.com/en/electrolux-launches-groundbreaking-cordless-vacuum-cleaner-26003>, 5 pages.  
Entire patent prosecution history of U.S. Appl. No. 29/263,734, filed Jan. 24, 2018, entitled, “Vacuum Cleaner.”

\* cited by examiner

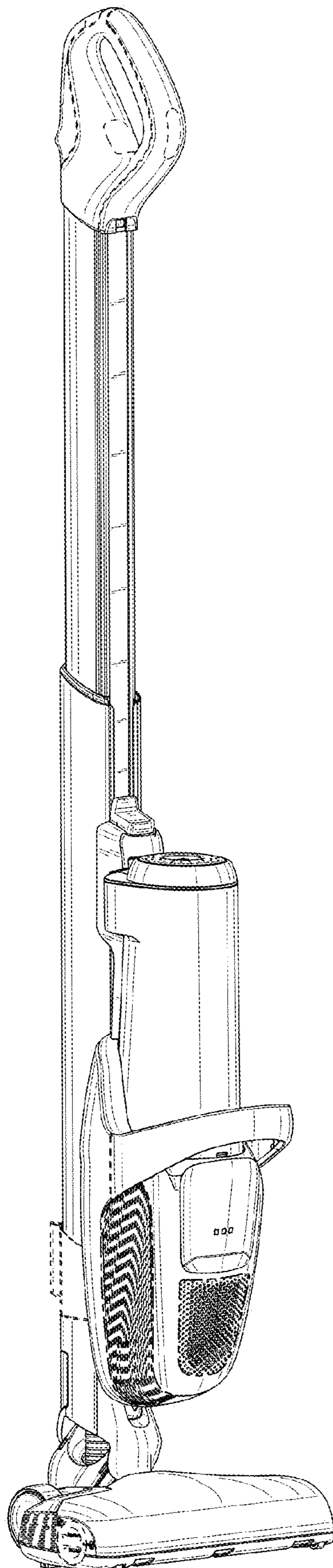


FIG. 1

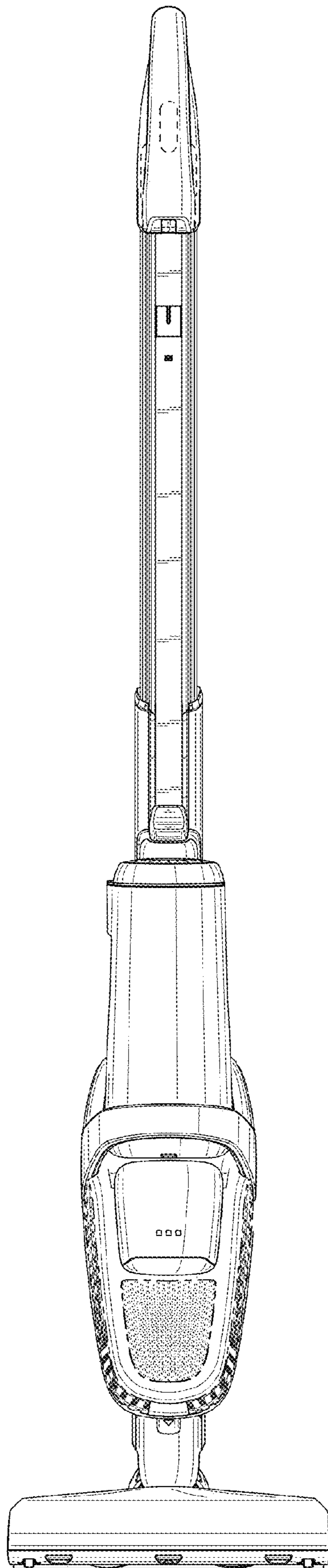


FIG. 2

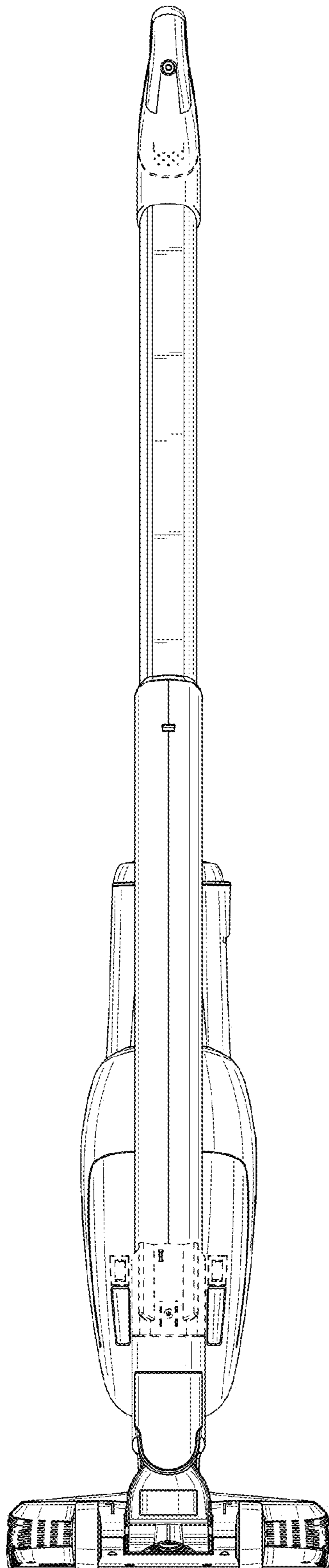


FIG. 3

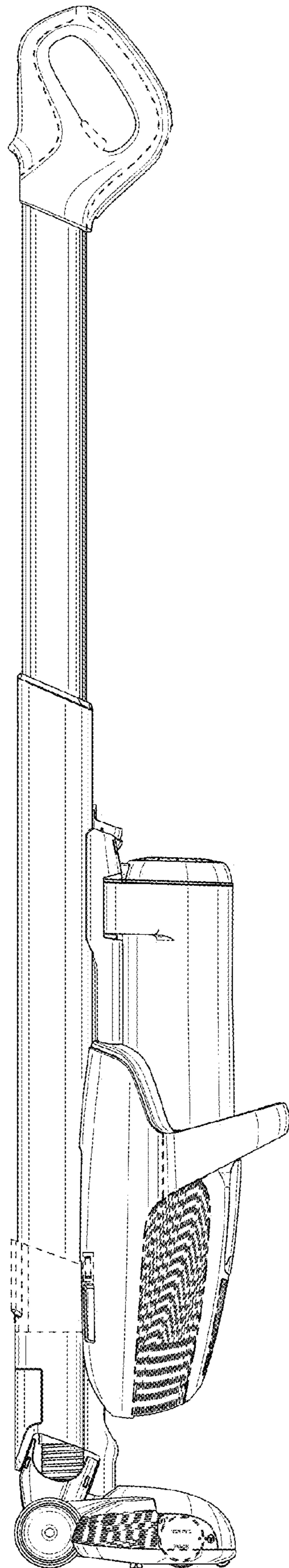


FIG. 4

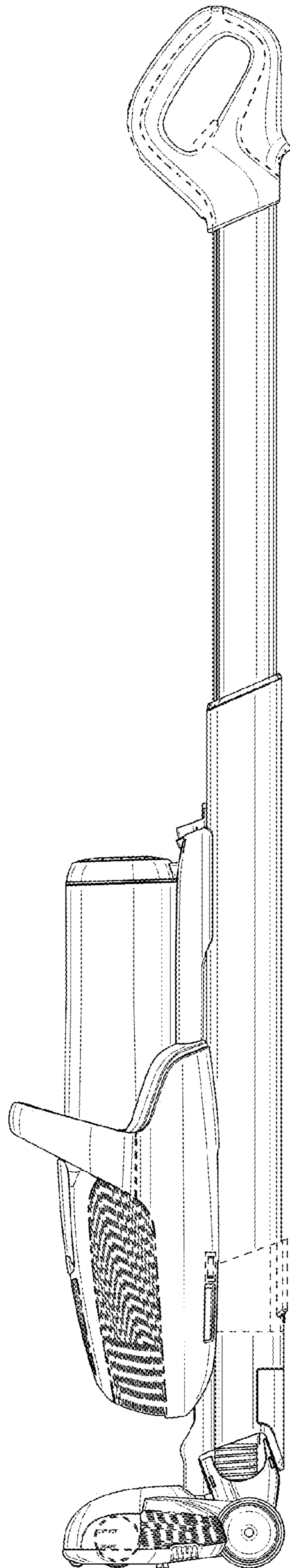


FIG. 5

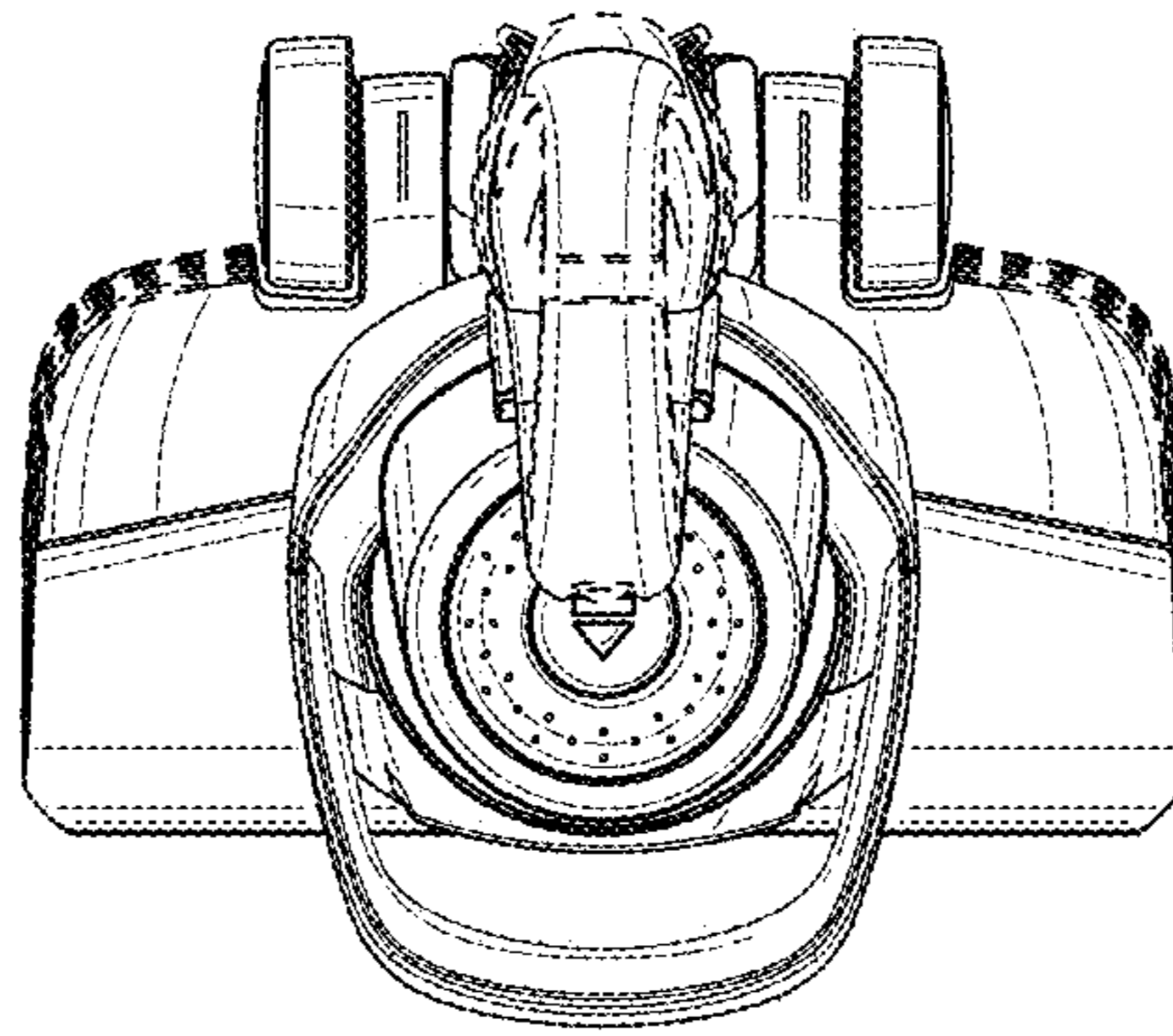


FIG. 6



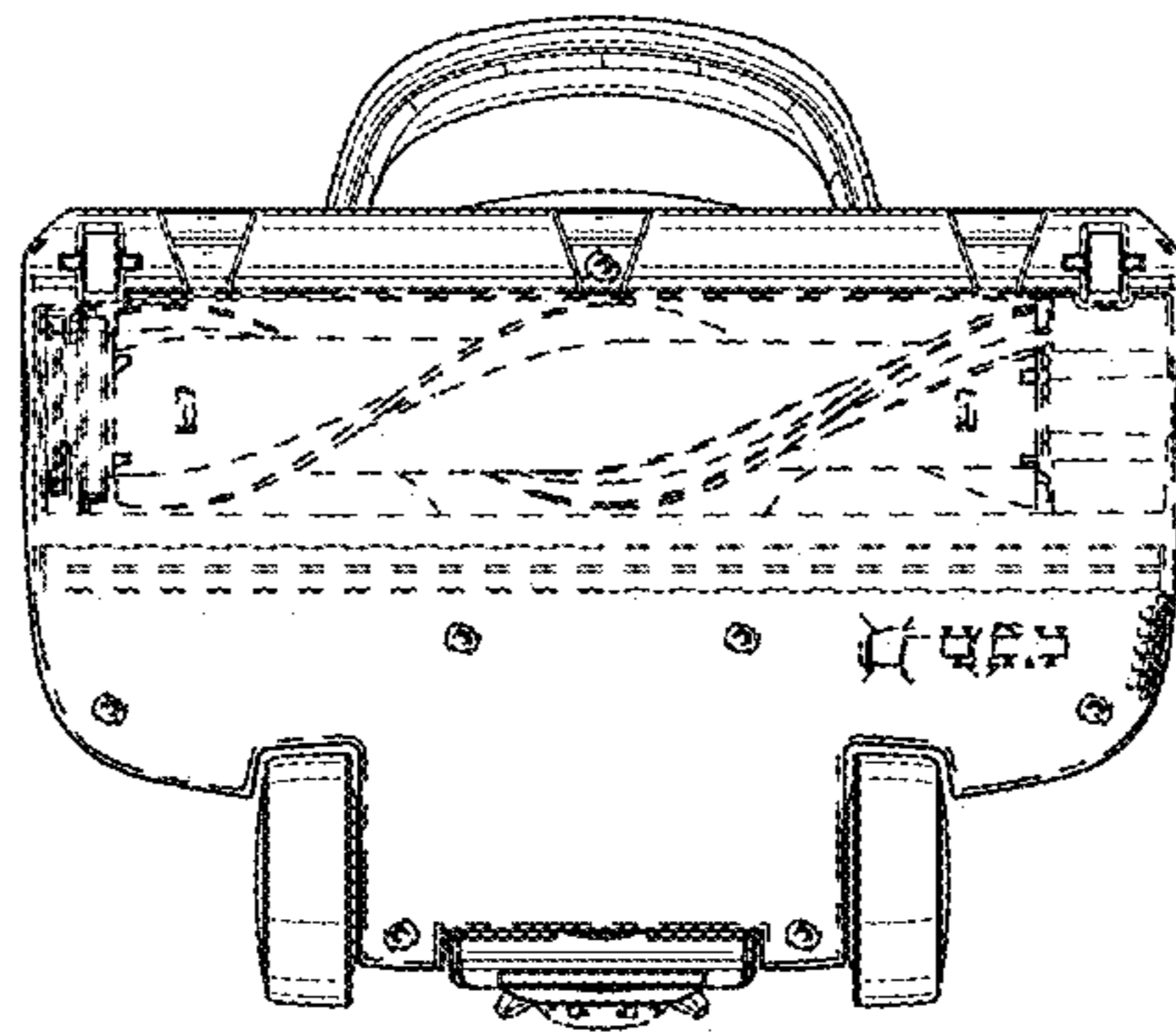


FIG. 7

UNITED STATES PATENT AND TRADEMARK OFFICE  
**CERTIFICATE OF CORRECTION**

PATENT NO. : D945,097 S  
APPLICATION NO. : 29/773160  
DATED : March 1, 2022  
INVENTOR(S) : Elisabeth Piper Mäkitalo, Christian Ågren and Jonas Kristiansson

Page 1 of 1

It is certified that error appears in the above-identified patent and that said Letters Patent is hereby corrected as shown below:

On the Title Page

Item (30) should read:

(30) Foreign Application Priority Data

Jul. 24, 2017 (EM) ..... 004117786

Jan. 4, 2018 (EM) ..... 004593077

Signed and Sealed this  
Second Day of August, 2022



Katherine Kelly Vidal  
*Director of the United States Patent and Trademark Office*