



US00D945093S

(12) **United States Design Patent**
Liu

(10) **Patent No.:** **US D945,093 S**
(45) **Date of Patent:** **** Mar. 1, 2022**

(54) **VACUUM CLEANER**

(71) Applicant: **SUZHOU AZA CLEAN ELECTRIC TECHNOLOGY CO., LTD.**, Suzhou (CN)

(72) Inventor: **Fujian Liu**, Suzhou (CN)

(73) Assignee: **SUZHOU AZA CLEAN ELECTRIC TECHNOLOGY CO., LTD.**, Suzhou (CN)

(**) Term: **15 Years**

(21) Appl. No.: **29/741,366**

(22) Filed: **Jul. 13, 2020**

(51) **LOC (13) Cl.** **15-05**

(52) **U.S. Cl.**
USPC **D32/18**

(58) **Field of Classification Search**
USPC D32/17, 18, 21, 22, 23, 24, 31, 32, 33, D32/34
CPC A47L 11/20; A47L 11/34; A47L 11/40; A47L 11/4016; A47L 5/24; A47L 5/28; A47L 7/02; A47L 9/32; A47L 9/322
See application file for complete search history.

(56) **References Cited**

U.S. PATENT DOCUMENTS

D897,616 S * 9/2020 Chen D32/22
D924,503 S * 7/2021 Xu D32/18
D927,110 S * 8/2021 Ma D32/22
D927,803 S * 8/2021 Zou D32/18

D929,685 S * 8/2021 Choi D32/18
D929,686 S * 8/2021 Uim D32/18
11,096,532 B2 * 8/2021 Abe A47L 5/32
D930,296 S * 9/2021 Song D32/18
D932,122 S * 9/2021 Xu D32/18
2019/0174984 A1 * 6/2019 Machida A47L 9/242
2020/0069128 A1 * 3/2020 Cho A47L 9/106
2020/0069131 A1 * 3/2020 Jung A47L 9/2884
2020/0245833 A1 * 8/2020 Lee A47L 9/102
2021/0045596 A1 * 2/2021 Conrad A47L 9/1666
2021/0052123 A1 * 2/2021 Tanaka A47L 9/1666
2021/0068603 A1 * 3/2021 Cho A47L 9/20

* cited by examiner

Primary Examiner — Kimberly Barnes

(57) **CLAIM**

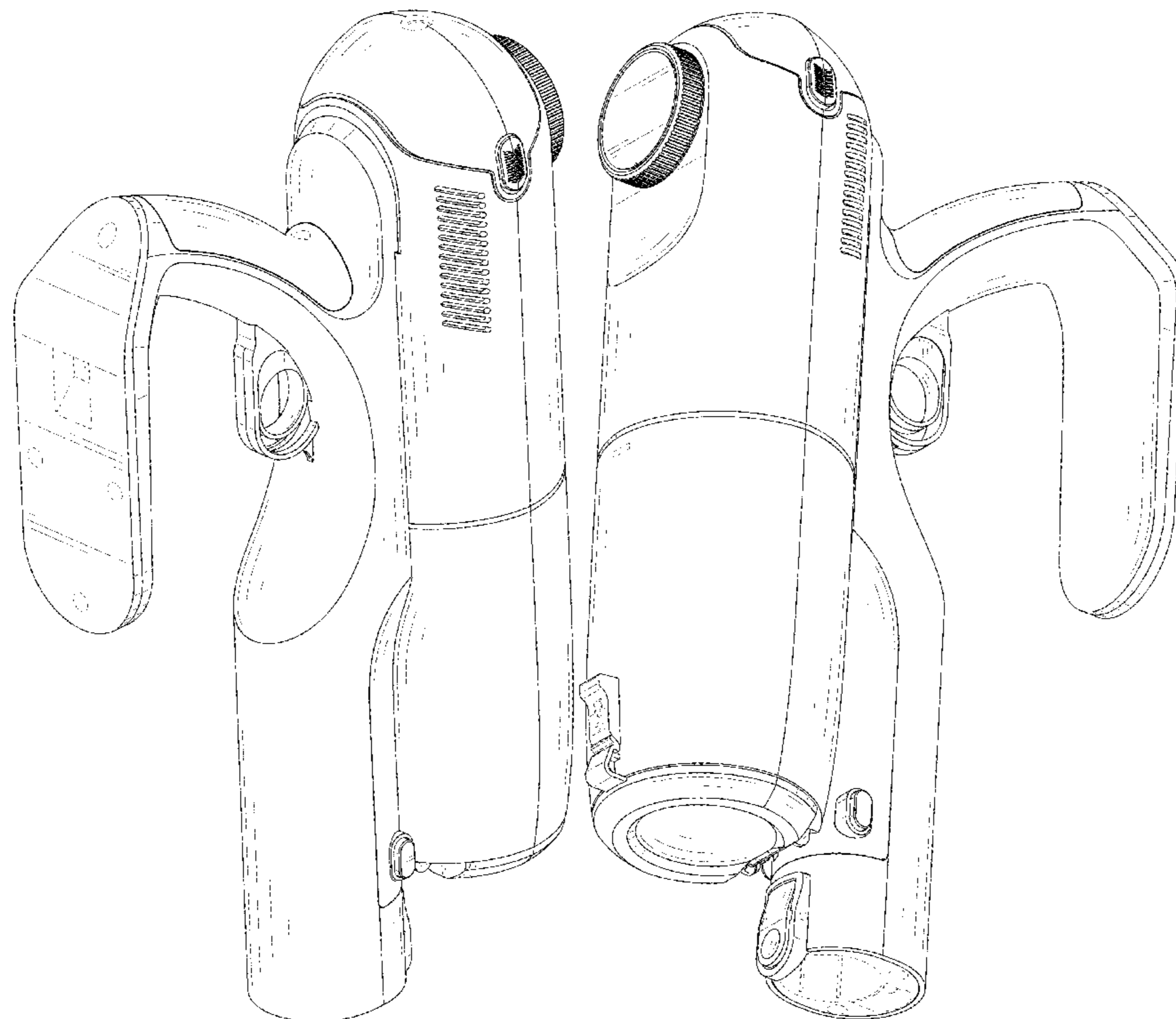
The ornamental design for a vacuum cleaner, as shown and described.

DESCRIPTION

FIG. 1 is a perspective view of a vacuum cleaner showing my new design;
FIG. 2 is another perspective view thereof;
FIG. 3 is a front elevational view thereof;
FIG. 4 is a rear elevational view thereof;
FIG. 5 is a left side elevational view thereof;
FIG. 6 is a right side elevational view thereof;
FIG. 7 is a top plan view thereof; and,
FIG. 8 is a bottom plan view thereof.

The broken lines in the drawings depict portions of the vacuum cleaner that form no part of the claimed design.

1 Claim, 8 Drawing Sheets



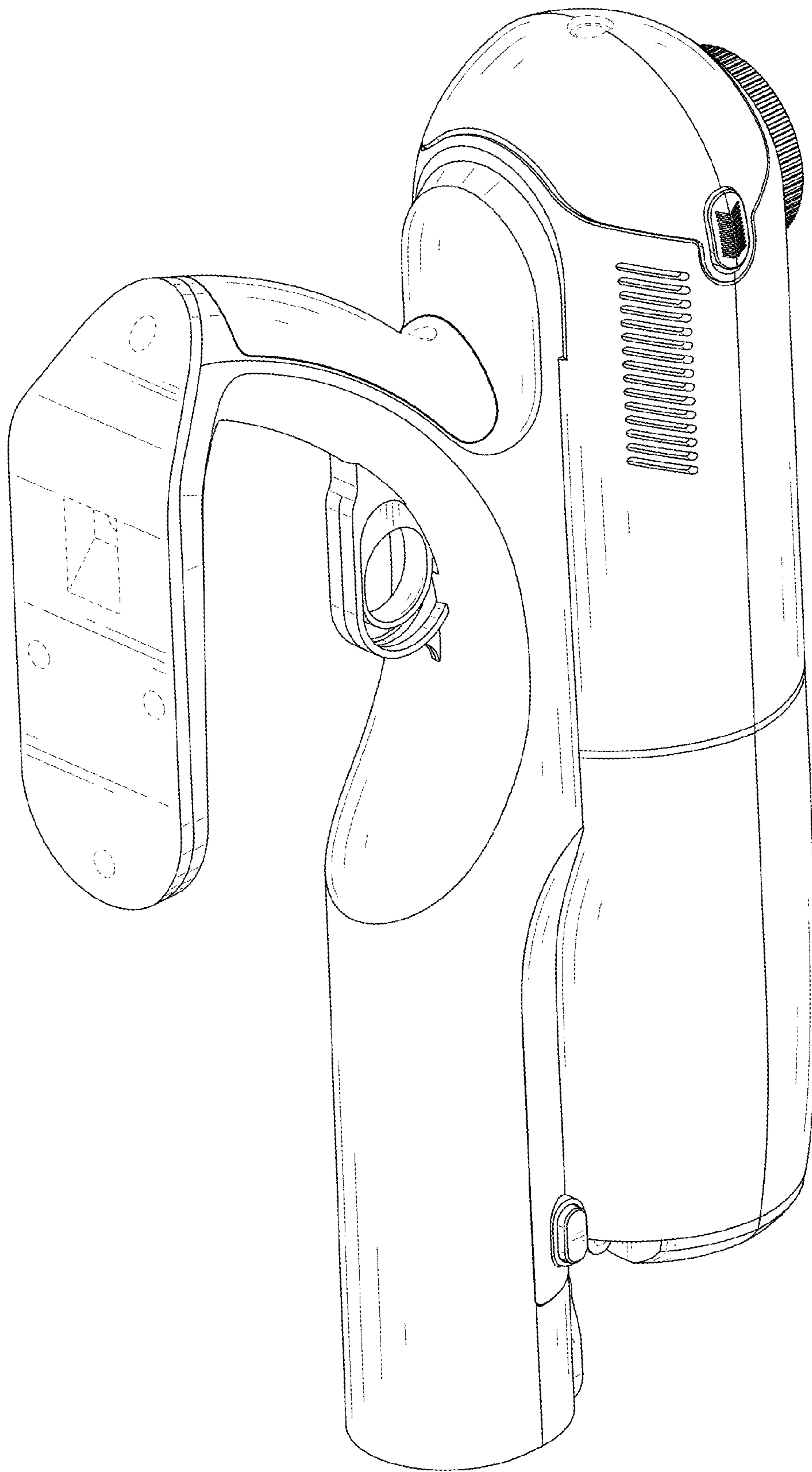


FIG. 1

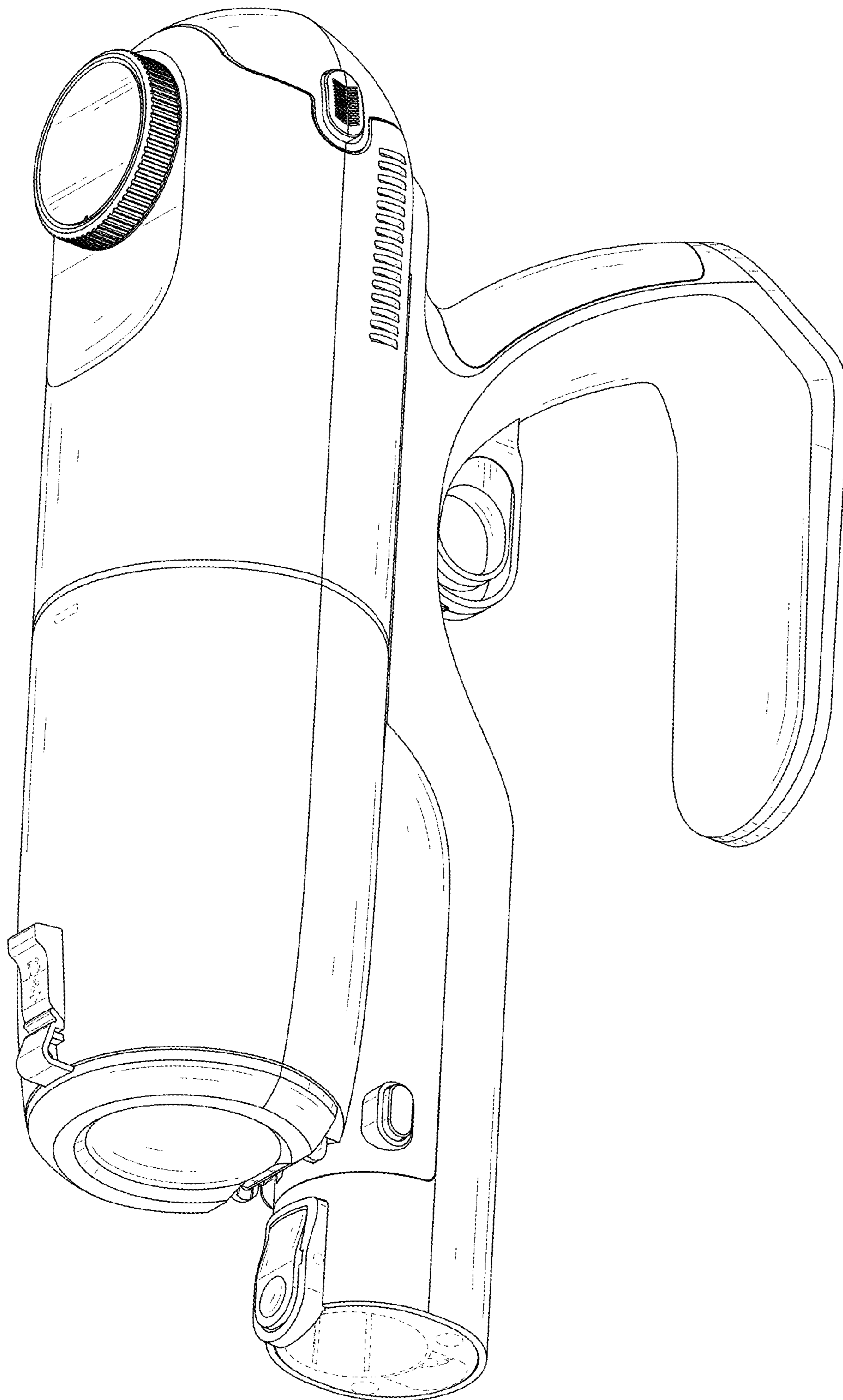


FIG. 2

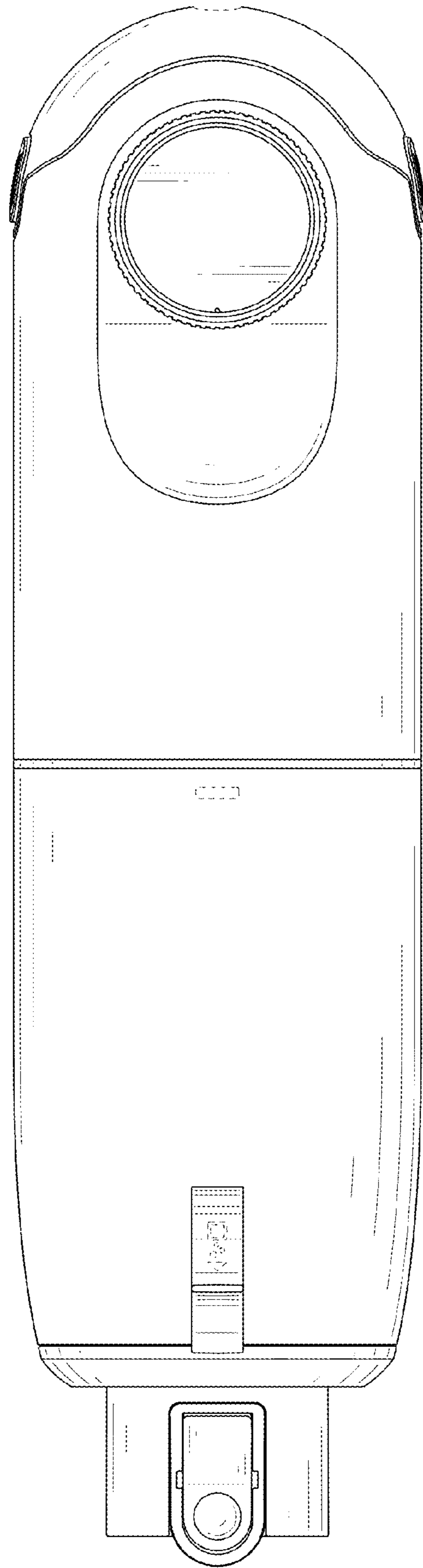


FIG. 3

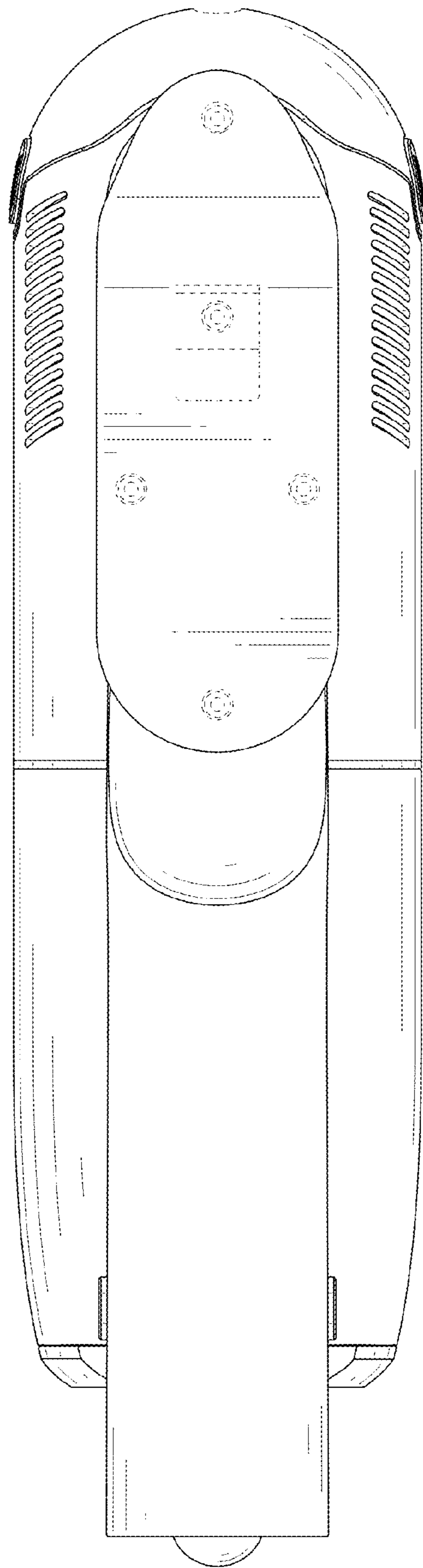


FIG. 4

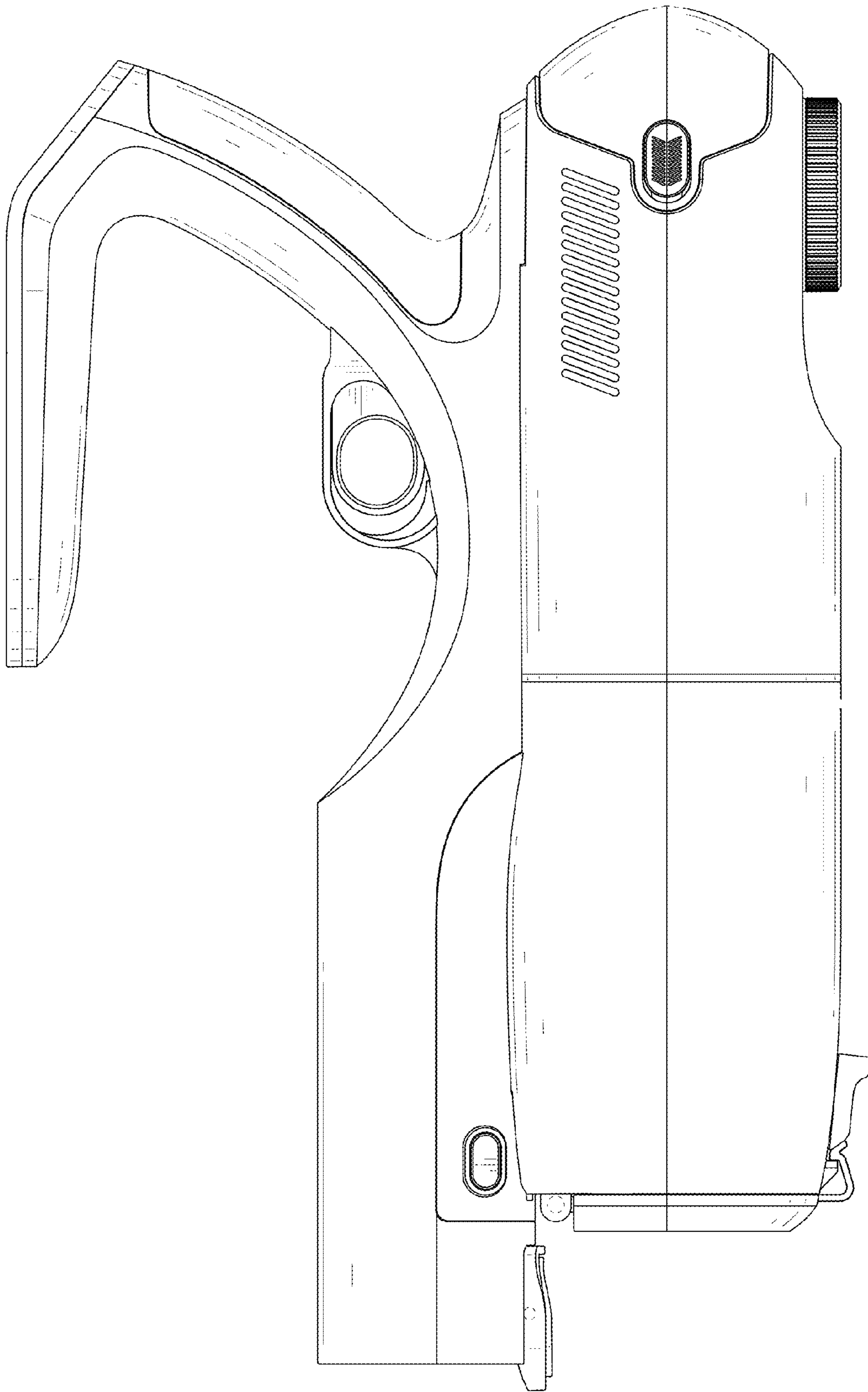


FIG. 5

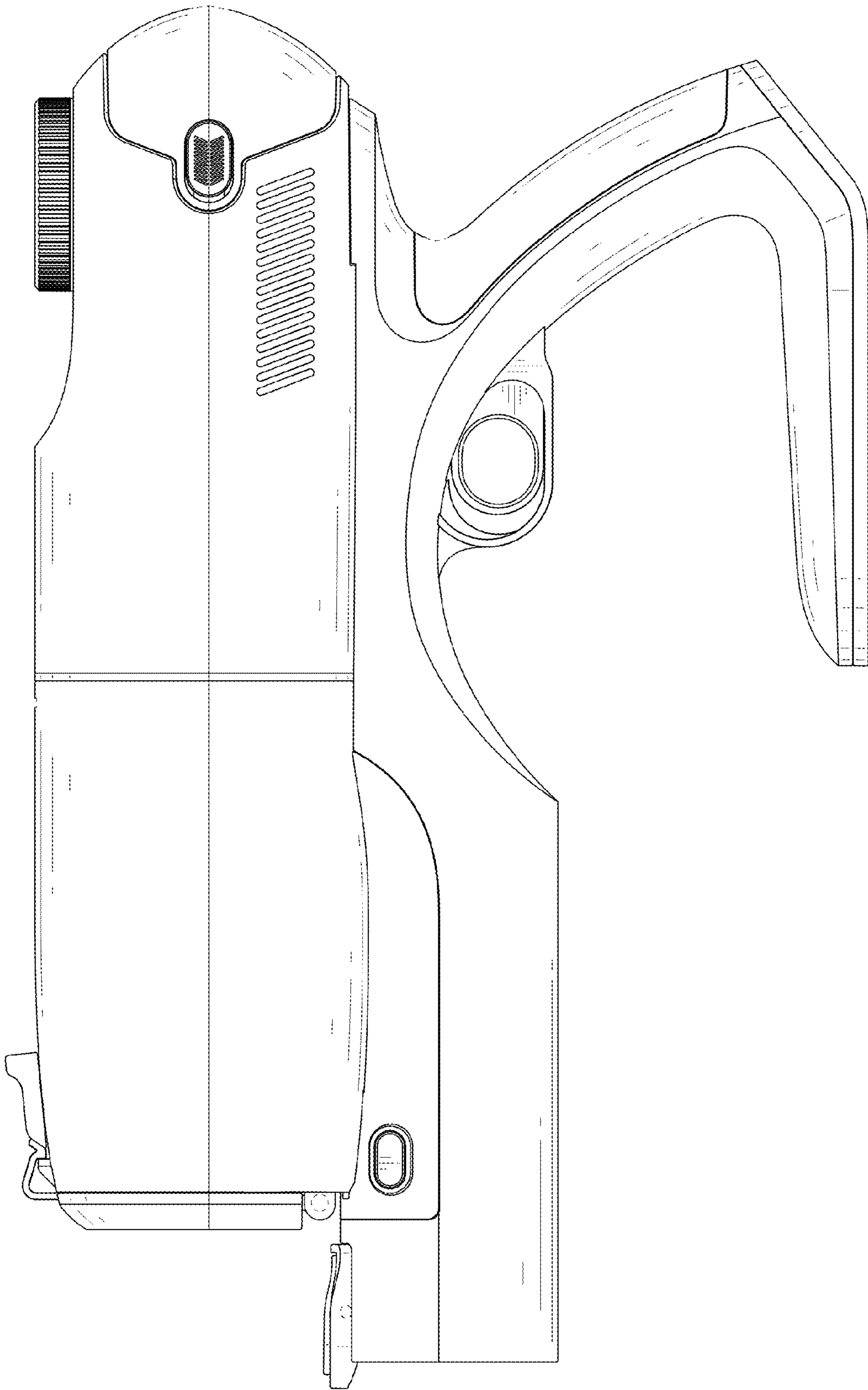


FIG. 6

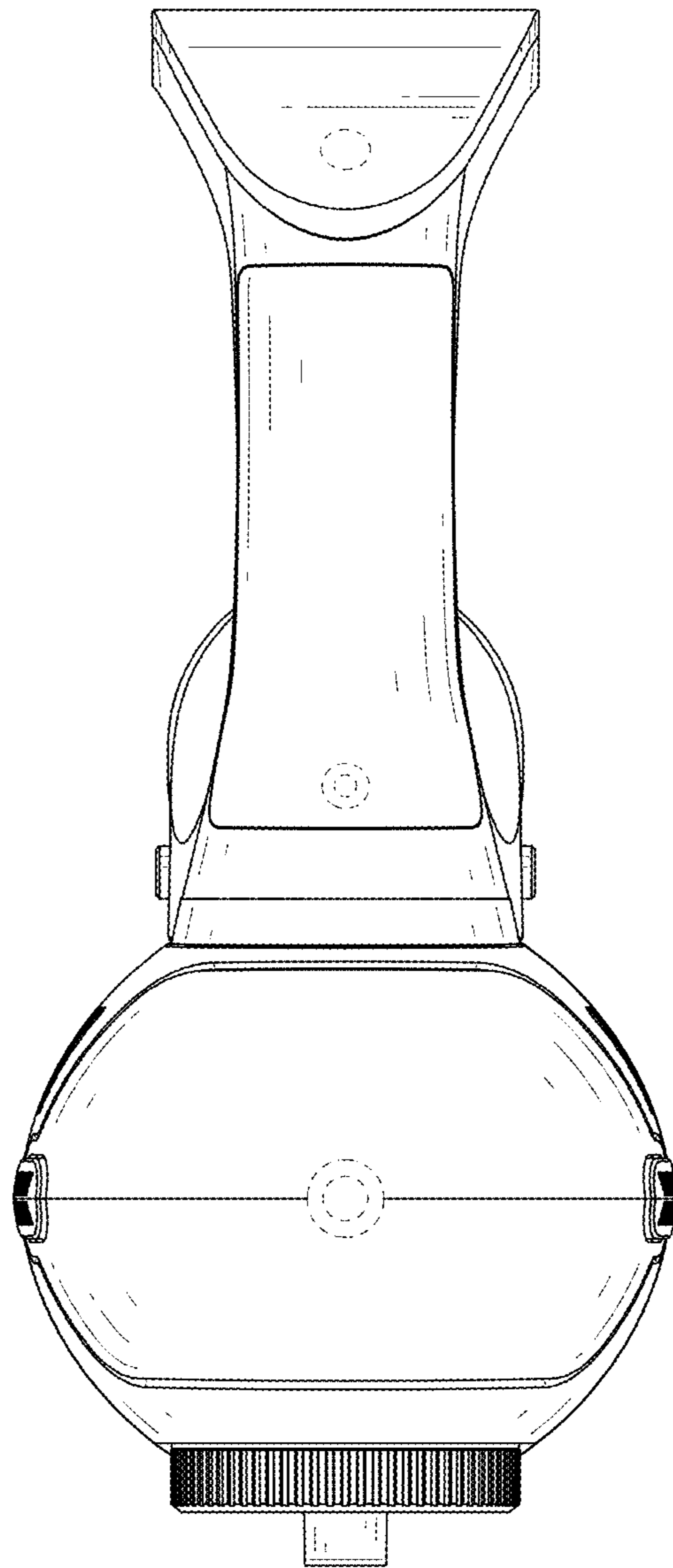


FIG. 7

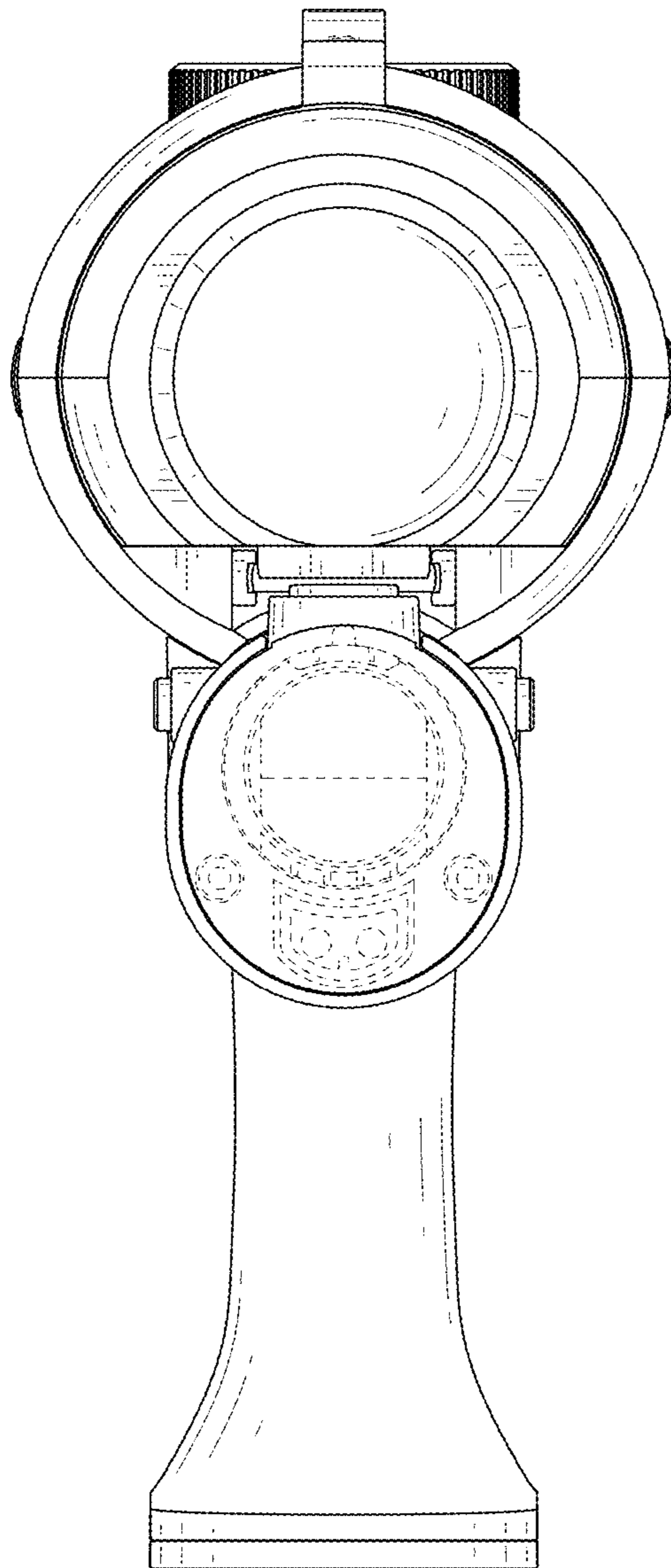


FIG. 8