



US00D945092S

(12) **United States Design Patent**
Liu

(10) **Patent No.:** **US D945,092 S**
(45) **Date of Patent:** **** Mar. 1, 2022**

(54) **HAND-HELD VACUUM**

(71) Applicants: **JIANGSU MIDEA CLEANING APPLIANCES CO., LTD.**, Suzhou (CN); **MIDEA GROUP CO., LTD.**, Foshan (CN)

(72) Inventor: **Jingwen Liu**, Suzhou (CN)

(**) Term: **15 Years**

(21) Appl. No.: **29/701,511**

(22) Filed: **Aug. 12, 2019**

(30) **Foreign Application Priority Data**

Jun. 5, 2019 (CN) 201930287899.3

(51) **LOC (13) Cl.** **15-05**

(52) **U.S. Cl.**
USPC **D32/18; D32/22**

(58) **Field of Classification Search**
USPC D32/17, 18, 22, 31; D21/526
CPC A47L 5/24; A47L 5/28; A47L 5/30; A47L 5/34; A47L 5/36; A47L 9/04; A47L 9/102; A47L 9/106; A47L 11/30; A47L 11/302; A47L 11/4005; A47L 11/4008; A47L 11/4044; B04C 5/185; B23Q 11/0046; B23Q 11/0071; E04H 4/1636
See application file for complete search history.

(56) **References Cited**

U.S. PATENT DOCUMENTS

D804,114 S *	11/2017	Kim	D32/18
D821,667 S *	6/2018	Nam	D32/18
D868,400 S *	11/2019	Niedzwecki	D32/18
D874,758 S *	2/2020	Schroeter	D32/18
D879,395 S *	3/2020	Pearce	D32/18
D880,086 S *	3/2020	Tan	D32/18
D901,109 S *	11/2020	Chen	D32/18
D912,344 S *	3/2021	Choi	D32/22
D912,345 S *	3/2021	Uim	D32/22
D920,609 S *	5/2021	Ma	D32/21

D922,010 S *	6/2021	Lin	D32/18
D932,122 S *	9/2021	Xu	D32/18
2020/0037834 A1 *	2/2020	Li	A47L 9/322

(Continued)

FOREIGN PATENT DOCUMENTS

JP	D1655468	*	3/2020
KR	301085156.0000	*	12/2020

OTHER PUBLICATIONS

GeeMo Vacuum Cleaner, available in Amazon.com, customer review oldest date Jul. 11, 2020 date [online], [site visited Feb. 22, 2021], Available from the internet URL: https://www.amazon.com/GeeMo-Powerful-High-Capacity-Quadruple-Floor-H595/dp/B083J95C5B/ref=sr_1_1_sspa?dchild=1&keywords=geemo+va%E2%80%A6 (Year: 2020).*

(Continued)

Primary Examiner — Dana K Weiland
Assistant Examiner — Jennylou M Binas
(74) *Attorney, Agent, or Firm* — Kilpatrick Townsend & Stockton, LLP

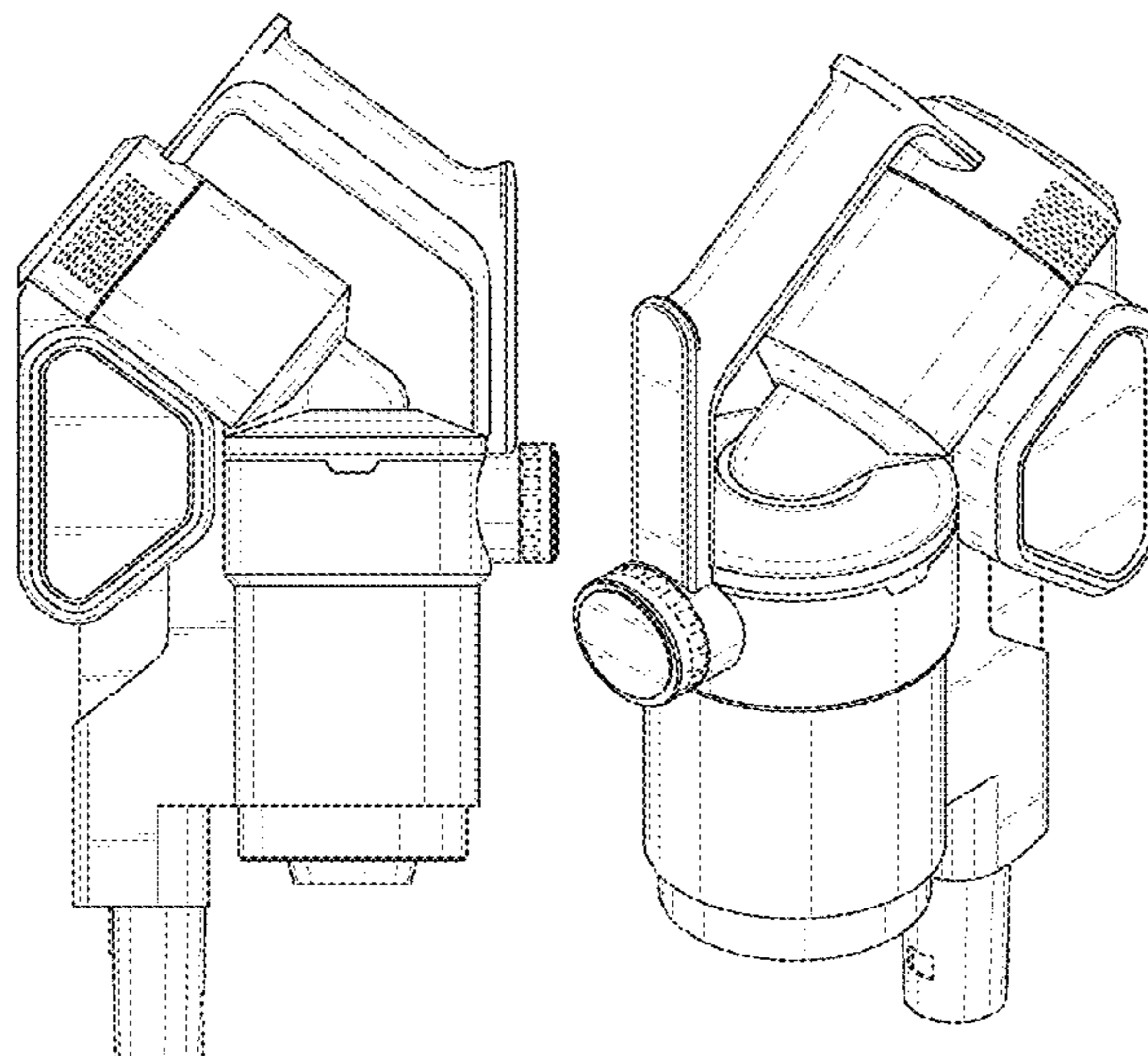
(57) **CLAIM**

The ornamental design for a hand-held vacuum, as shown and described.

DESCRIPTION

FIG. 1 is a front elevation view of a hand-held vacuum, showing my new design;
FIG. 2 is a back elevation view thereof;
FIG. 3 is a left elevation view thereof;
FIG. 4 is a right elevation view thereof;
FIG. 5 is a top plan view thereof;
FIG. 6 is a bottom plan view thereof; and,
FIG. 7 is a front perspective view thereof.
The broken lines in the figures show portions of the hand-held vacuum that form no part of the claimed design.

1 Claim, 7 Drawing Sheets



(56)

References Cited

U.S. PATENT DOCUMENTS

2020/0315416 A1* 10/2020 Hong A47L 9/0477
2021/0045605 A1* 2/2021 Conrad A47L 9/1608

OTHER PUBLICATIONS

8 Best Stick Vacuums of 2021, available in [goodhousekeeping.com](https://www.goodhousekeeping.com/appliances/vacuum-cleaner-reviews/g1222/best-stick-vacuums/), announced Nov. 18, 2020 [online], [site visited Feb. 25, 2022], Available from the internet URL: <https://www.goodhousekeeping.com/appliances/vacuum-cleaner-reviews/g1222/best-stick-vacuums/> (Year: 2020).*

* cited by examiner

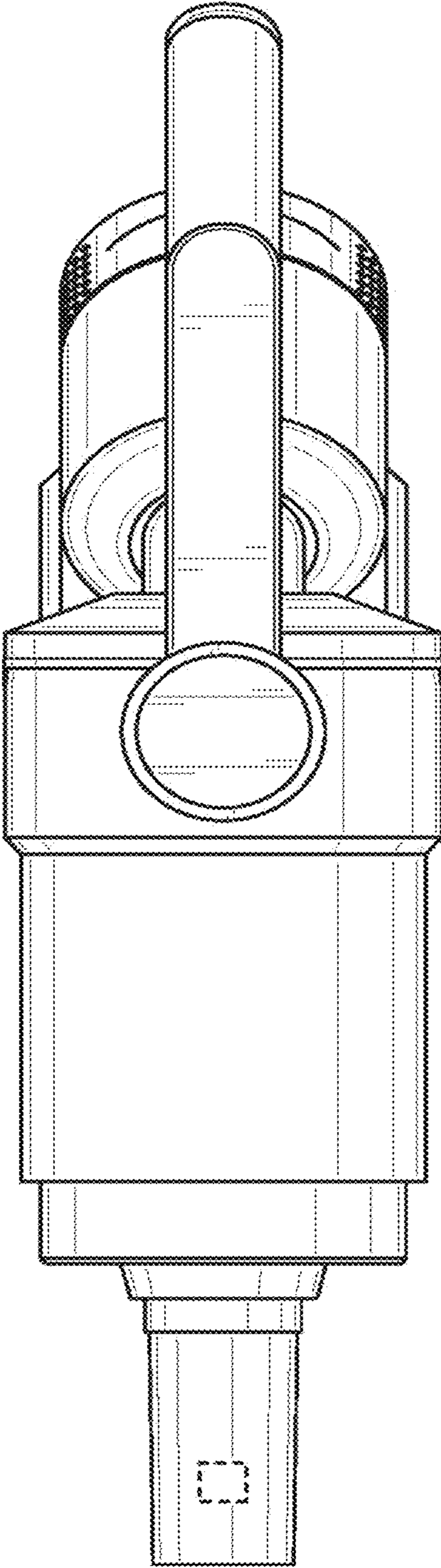


FIG. 1

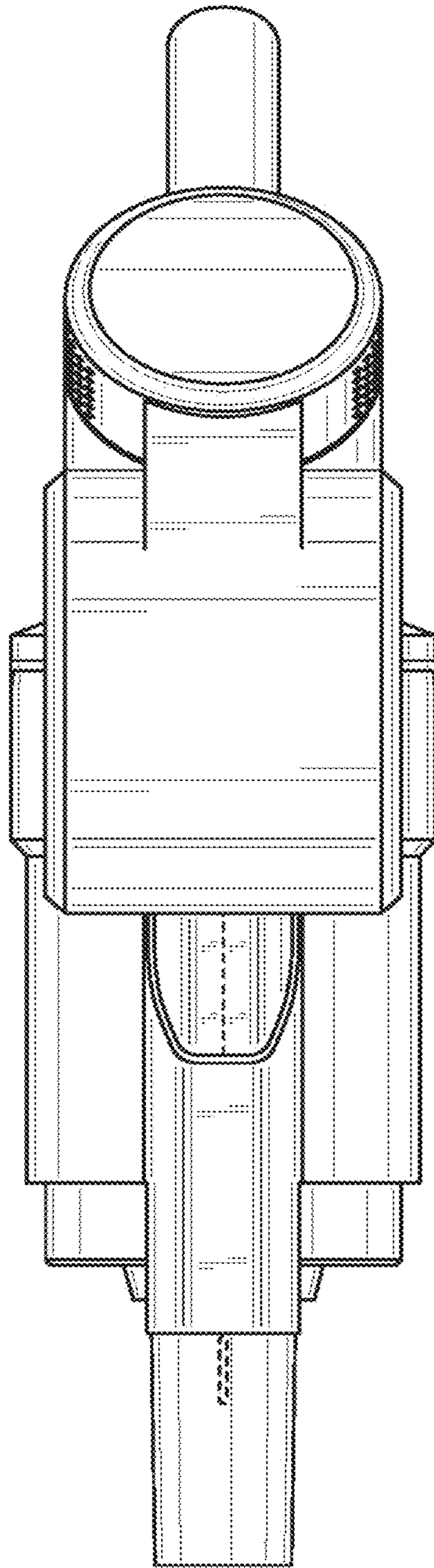


FIG. 2

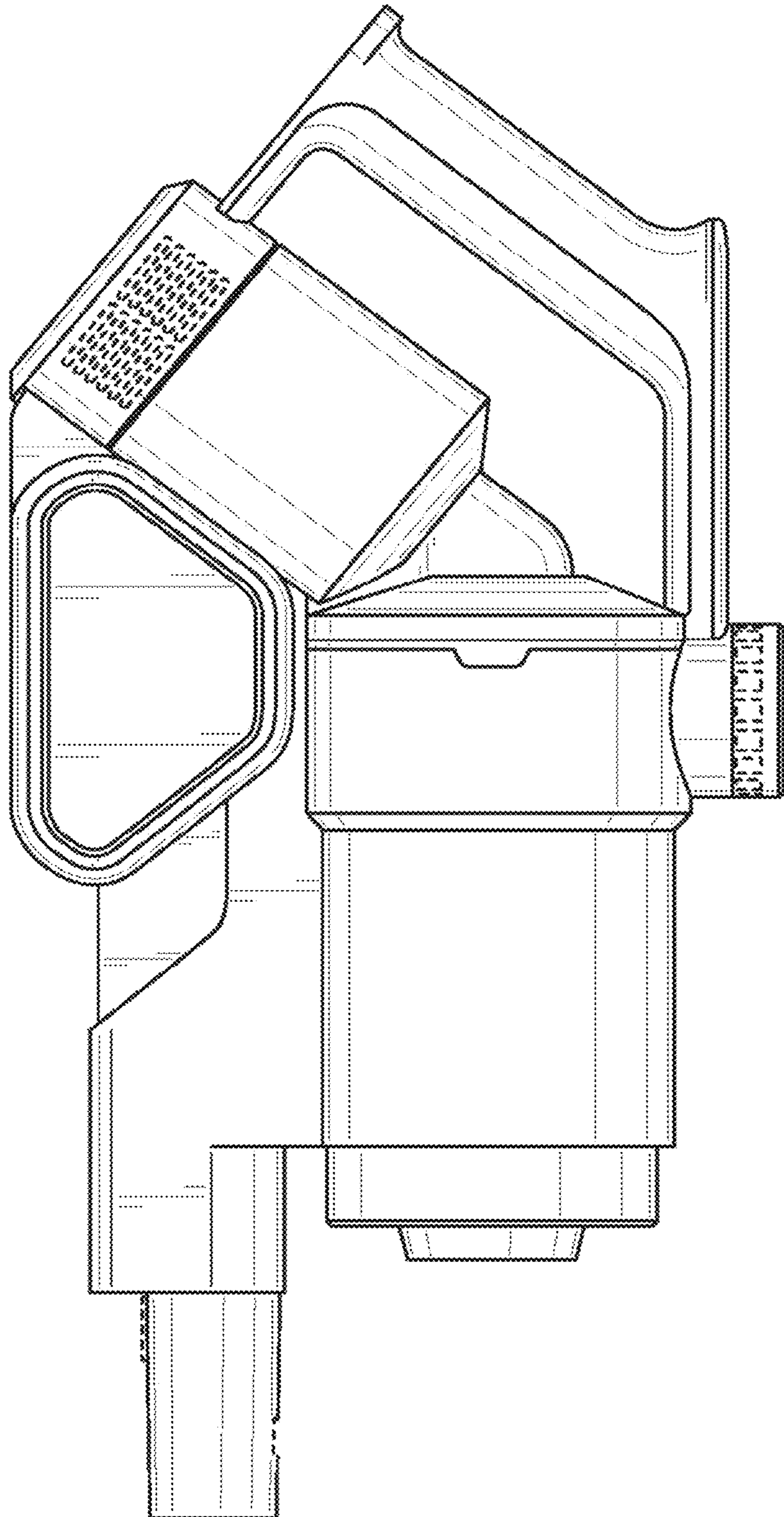


FIG. 3

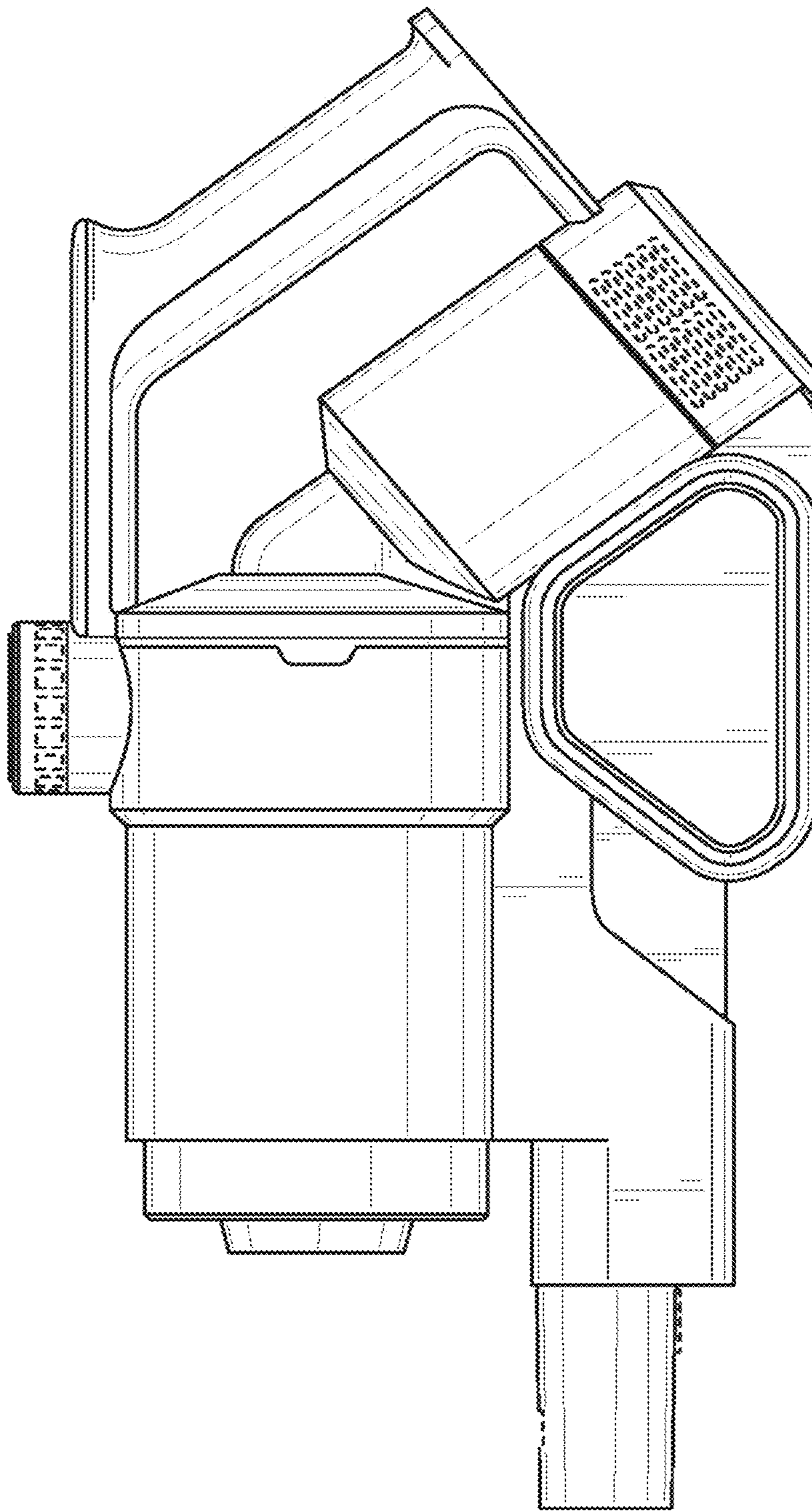


FIG. 4

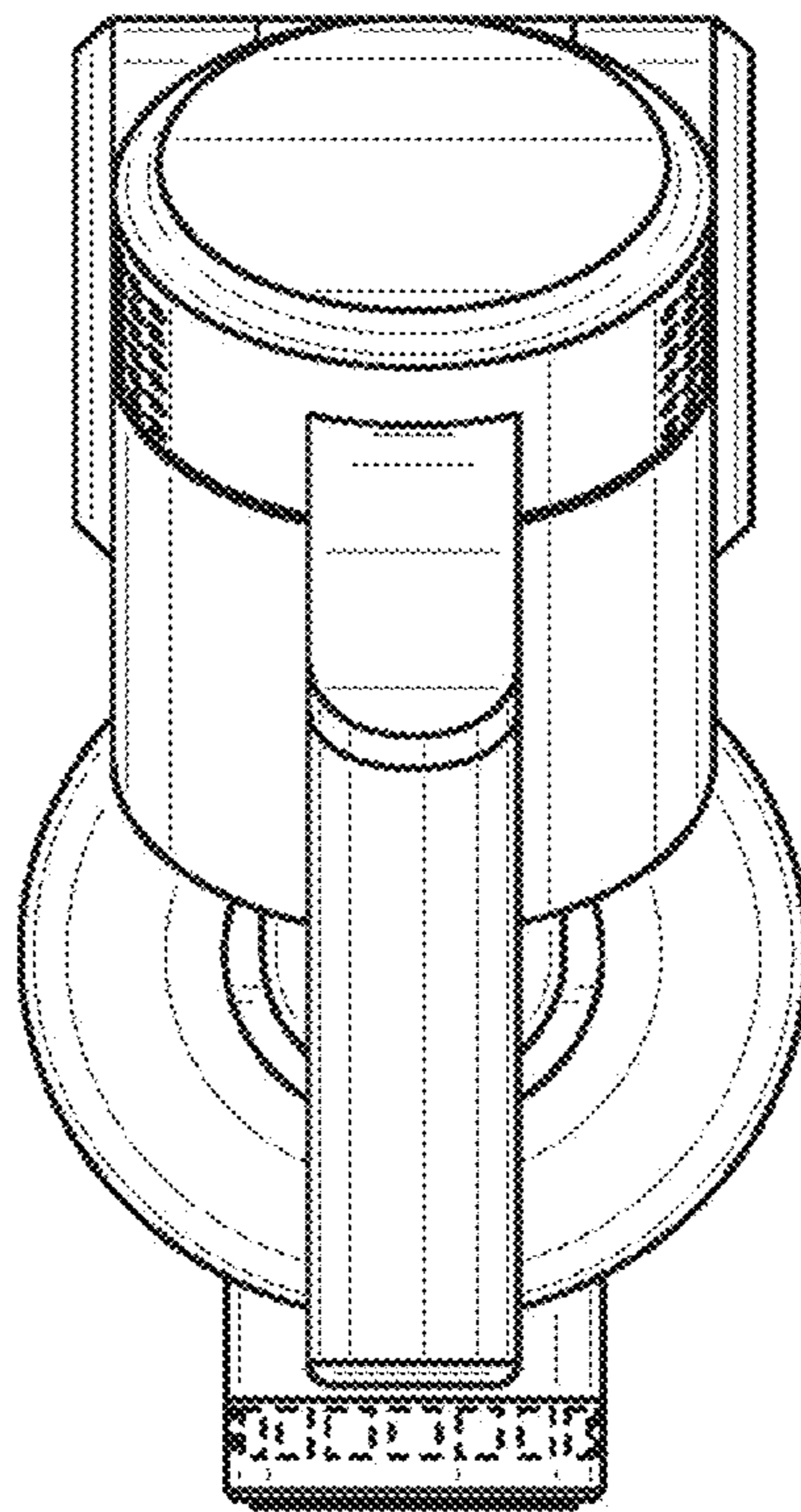


FIG. 5

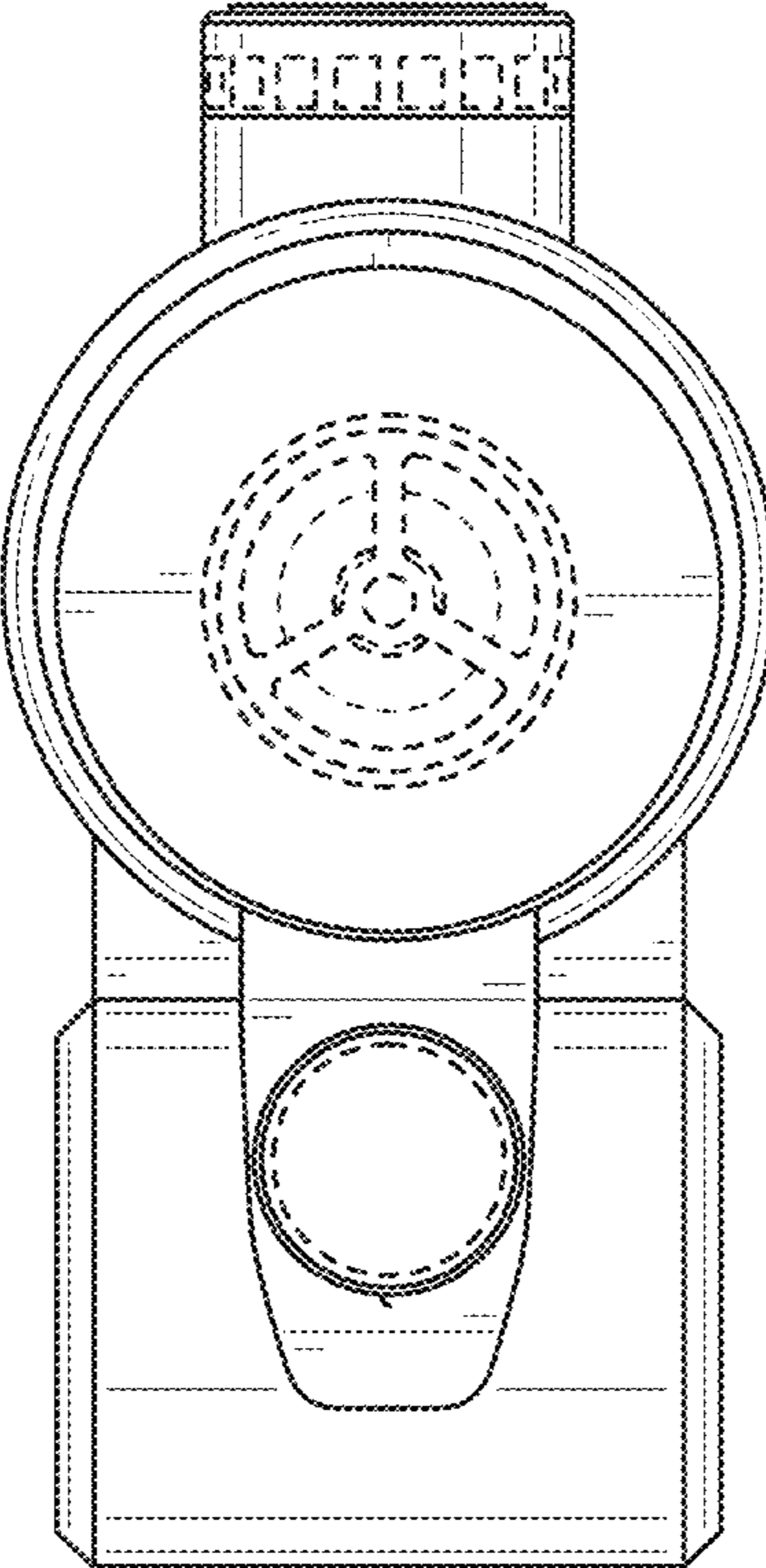


FIG. 6

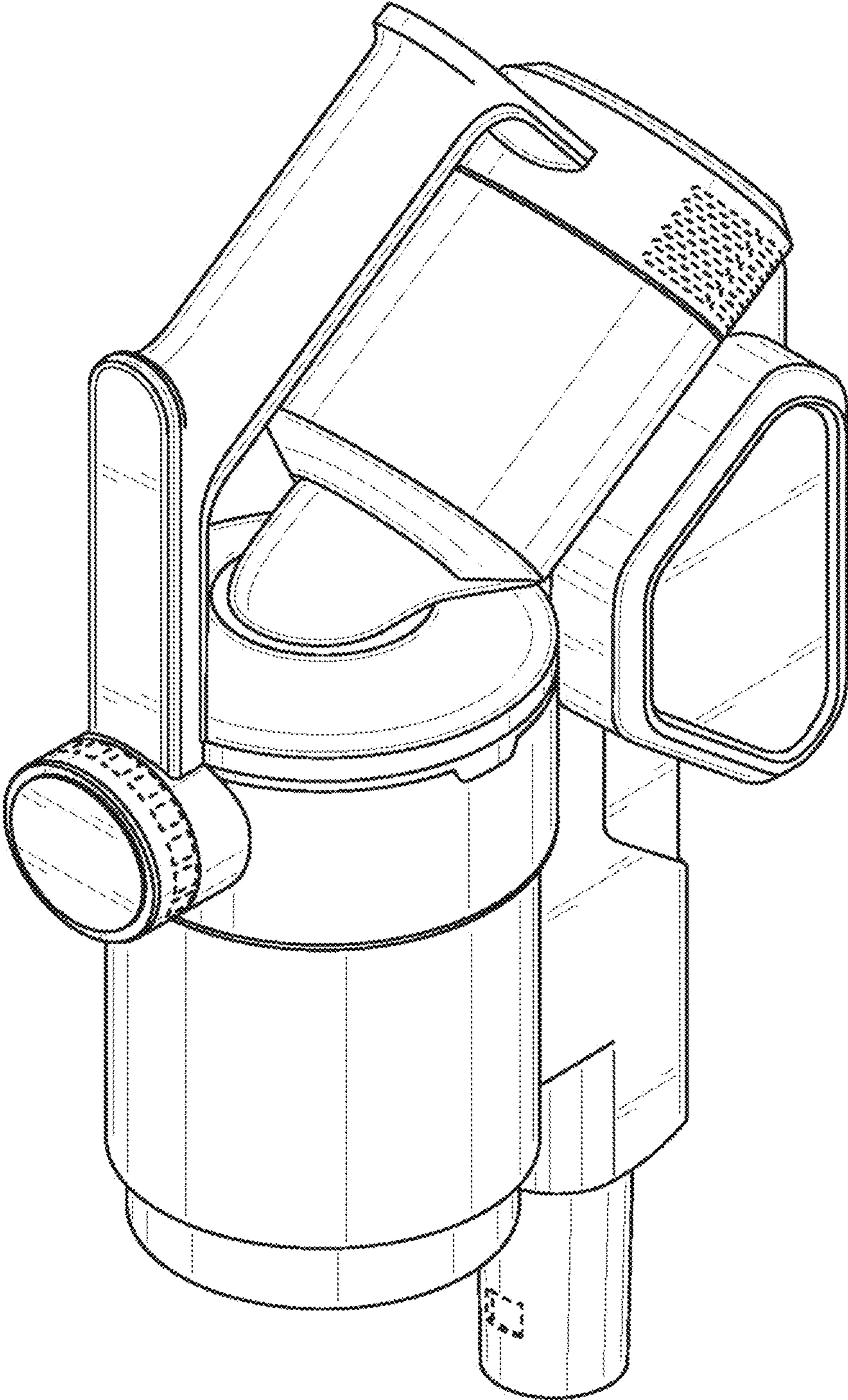


FIG. 7