



US00D945091S

(12) **United States Design Patent**  
**Long**

(10) **Patent No.:** **US D945,091 S**

(45) **Date of Patent:** **\*\* Mar. 1, 2022**

(54) **ELECTRIC SHOE POLISHER**  
(71) Applicant: **SHENZHEN SHANSHENDIAN**  
**TRADE CO., LTD.,** Shenzhen (CN)  
(72) Inventor: **Canpeng Long,** Shenzhen (CN)  
(73) Assignee: **SHENZHEN SHANSHENDIAN**  
**TRADE CO., LTD.,** Shenzhen (CN)  
(\*\*) Term: **15 Years**

D452,638 S \* 1/2002 Chen ..... D8/62  
D452,805 S \* 1/2002 Chen ..... D8/62  
D471,329 S \* 3/2003 Heun ..... D32/15  
D475,489 S \* 6/2003 McLelland ..... D32/15  
D488,041 S \* 4/2004 Chen ..... D8/68  
D488,694 S \* 4/2004 Chen ..... D8/68  
D525,752 S \* 7/2006 Bakker ..... D32/19  
D563,613 S \* 3/2008 Barringer ..... D32/19  
D611,795 S \* 3/2010 Misaki ..... D8/62  
D625,058 S \* 10/2010 Kovach ..... D32/14  
D668,824 S \* 10/2012 Miers ..... D32/18

(Continued)

(21) Appl. No.: **29/712,246**  
(22) Filed: **Nov. 6, 2019**  
(51) **LOC (13) Cl.** ..... **15-05**  
(52) **U.S. Cl.**  
USPC ..... **D32/14.1**  
(58) **Field of Classification Search**  
USPC ..... D4/102; D8/62, 68; D24/133, 138;  
D32/14, 15, 17, 18, 19; 15/28  
CPC ..... E03F 9/005; B24B 23/02; B23Q 17/10;  
B24D 9/00; B26B 19/382; G06F 9/454;  
F25C 5/046; E06C 7/50  
See application file for complete search history.

**OTHER PUBLICATIONS**

Amazon Electric Shoe Polisher <https://www.amazon.in/Electric-Polisher-Handheld-Portable-Polishers/dp/B004I73TD6> (Year: 2021).\*

*Primary Examiner* — Michelle E. Wilson  
*Assistant Examiner* — Richard E Yenchesky  
(74) *Attorney, Agent, or Firm* — Law Offices of Steven W. Weinrieb

(57) **CLAIM**

The ornamental design for an electric shoe polisher, as shown and described.

(56) **References Cited**

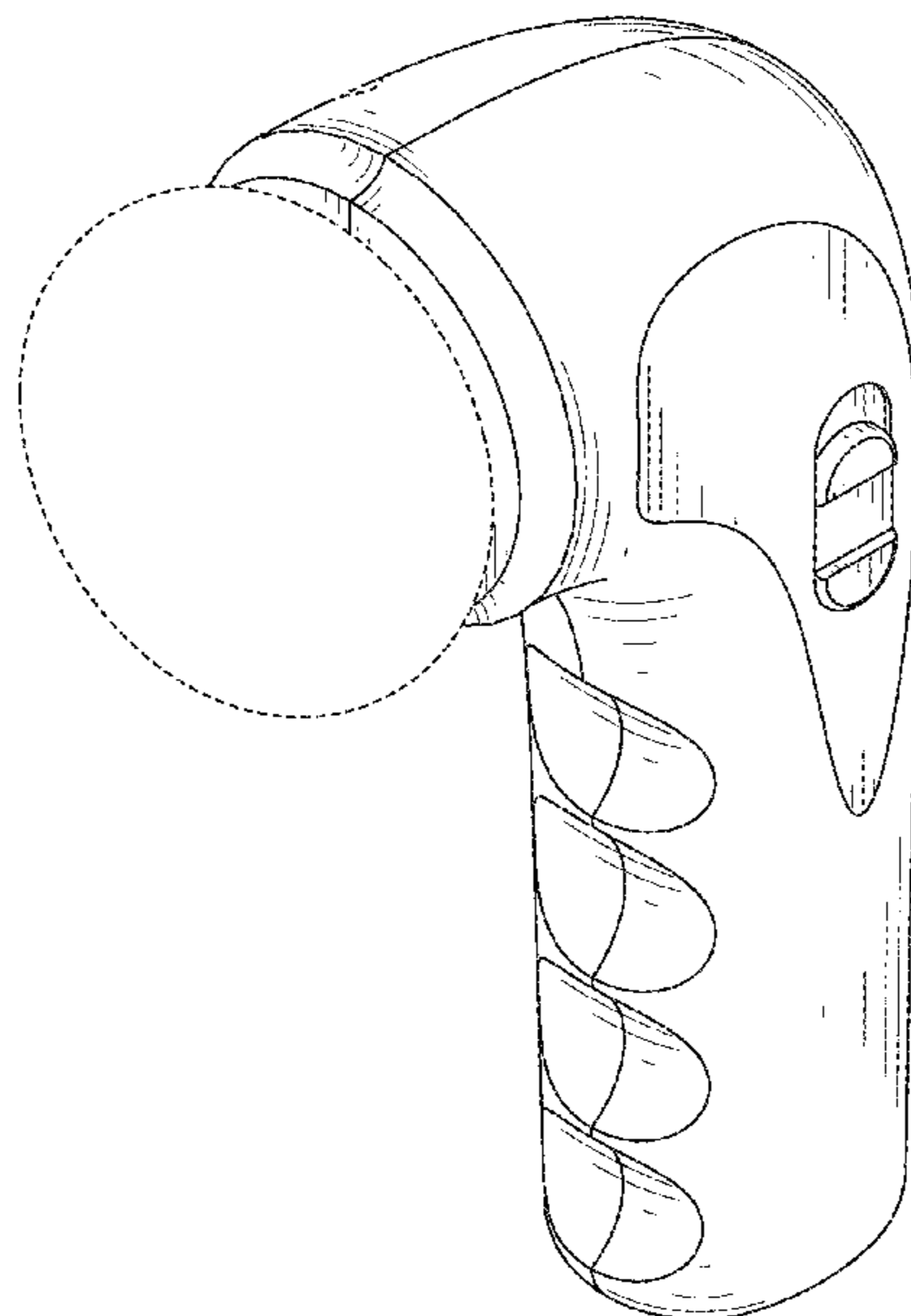
**DESCRIPTION**

**U.S. PATENT DOCUMENTS**

D273,173 S \* 3/1984 Poon ..... D8/62  
D286,706 S \* 11/1986 McCloskey ..... D4/102  
D313,890 S \* 1/1991 Machuron ..... 15/28  
D330,151 S \* 10/1992 Fisher ..... D8/62  
D340,807 S \* 11/1993 Fertal ..... D4/102  
D342,385 S \* 12/1993 Winchester ..... D4/102  
D354,424 S \* 1/1995 Izumisawa ..... D8/62  
5,496,207 A \* 3/1996 Hornung ..... B23Q 17/10  
451/294  
5,511,285 A \* 4/1996 Bush ..... E06C 7/50  
16/422  
5,564,969 A \* 10/1996 Tsang ..... B24B 23/02  
451/344

FIG. 1 is a front, right side, top perspective view of an electric shoe polisher showing my new design;  
FIG. 2 is a rear right side, bottom perspective view thereof;  
FIG. 3 is a front elevational view thereof;  
FIG. 4 is a rear elevational view thereof;  
FIG. 5 is a left side elevational view thereof;  
FIG. 6 is a right side elevational view thereof;  
FIG. 7 is a top plan view thereof; and,  
FIG. 8 is a bottom plan view thereof.  
The broken lines shown in the drawings illustrate portions of the article which form no part of the claimed design.

**1 Claim, 8 Drawing Sheets**



(56)

**References Cited**

U.S. PATENT DOCUMENTS

8,434,186 B2 \* 5/2013 Wildauer ..... E03F 9/005  
15/104.33  
D786,644 S \* 5/2017 Valentini ..... D8/62  
D860,556 S \* 9/2019 Brown ..... D32/19  
D862,817 S \* 10/2019 Baxter ..... D32/17  
D921,894 S \* 6/2021 Milella, Jr. .... D24/133  
D929,585 S \* 8/2021 Sharp ..... D24/138  
2006/0186238 A1 \* 8/2006 Swegle ..... F25C 5/046  
241/277  
2007/0165384 A1 \* 7/2007 Vejnar ..... G06F 9/454  
361/724  
2014/0073229 A1 \* 3/2014 Quinn ..... B24D 9/00  
451/512  
2019/0061183 A1 \* 2/2019 Neyer ..... B26B 19/382

\* cited by examiner

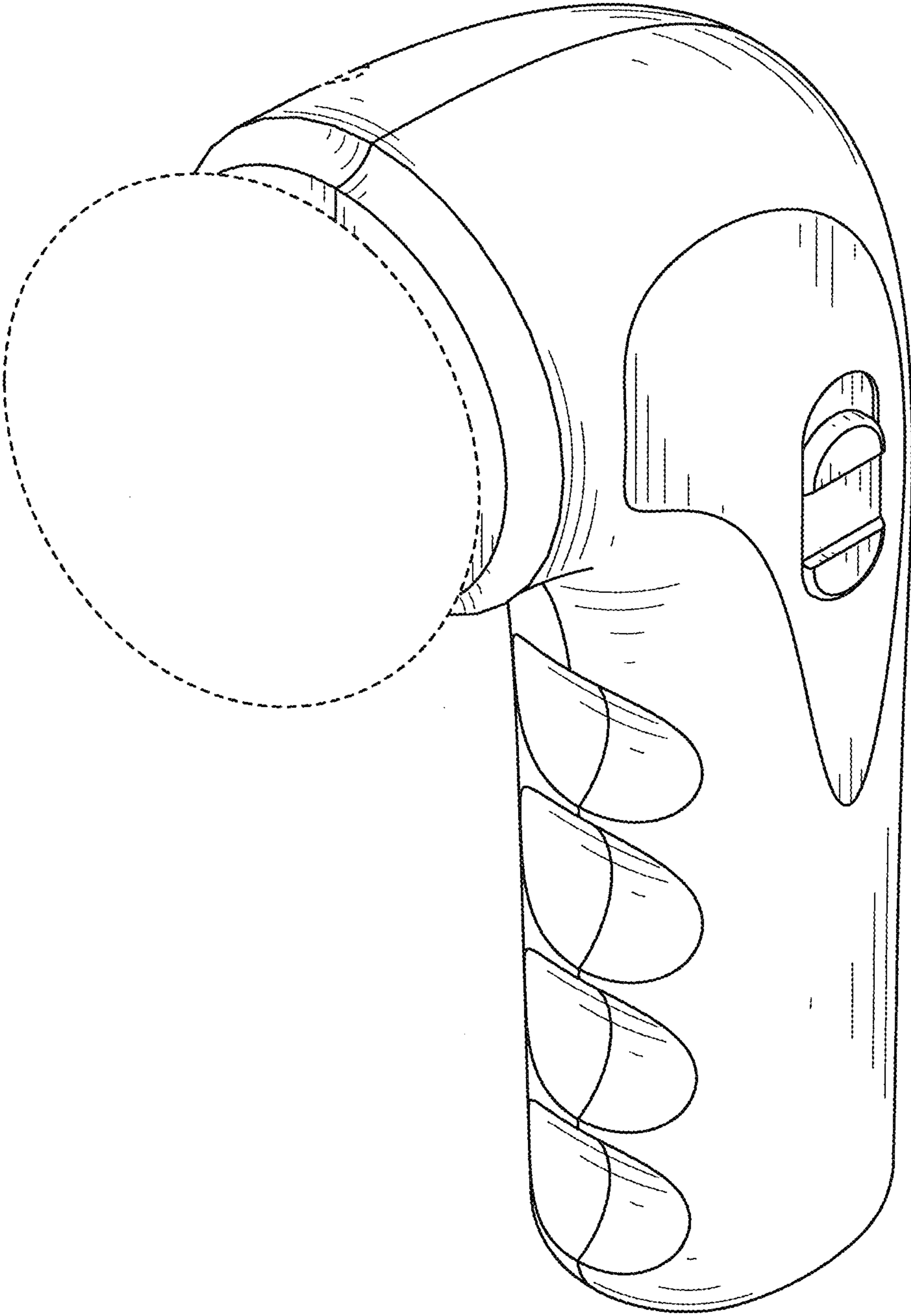


FIG. 1

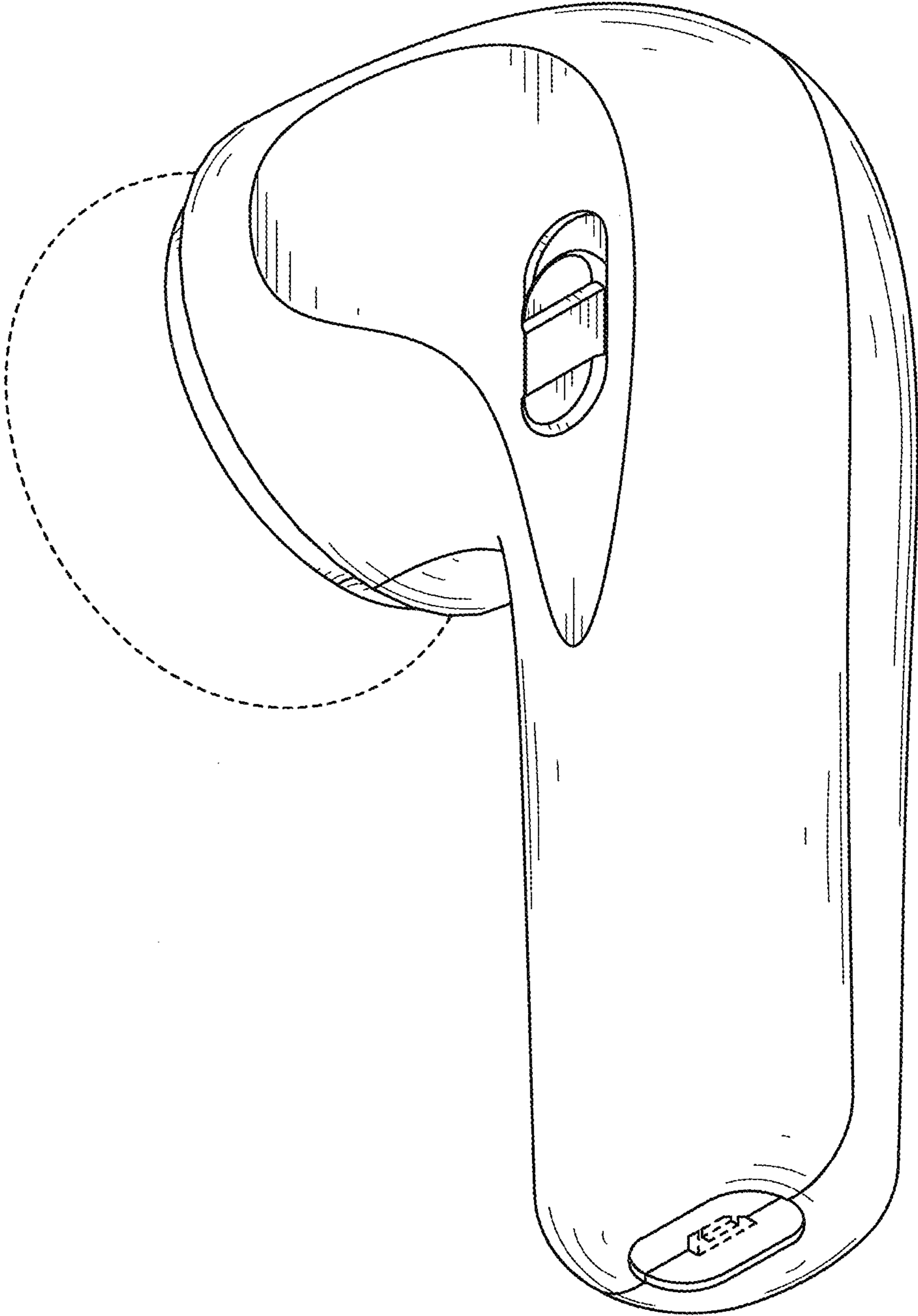


FIG. 2

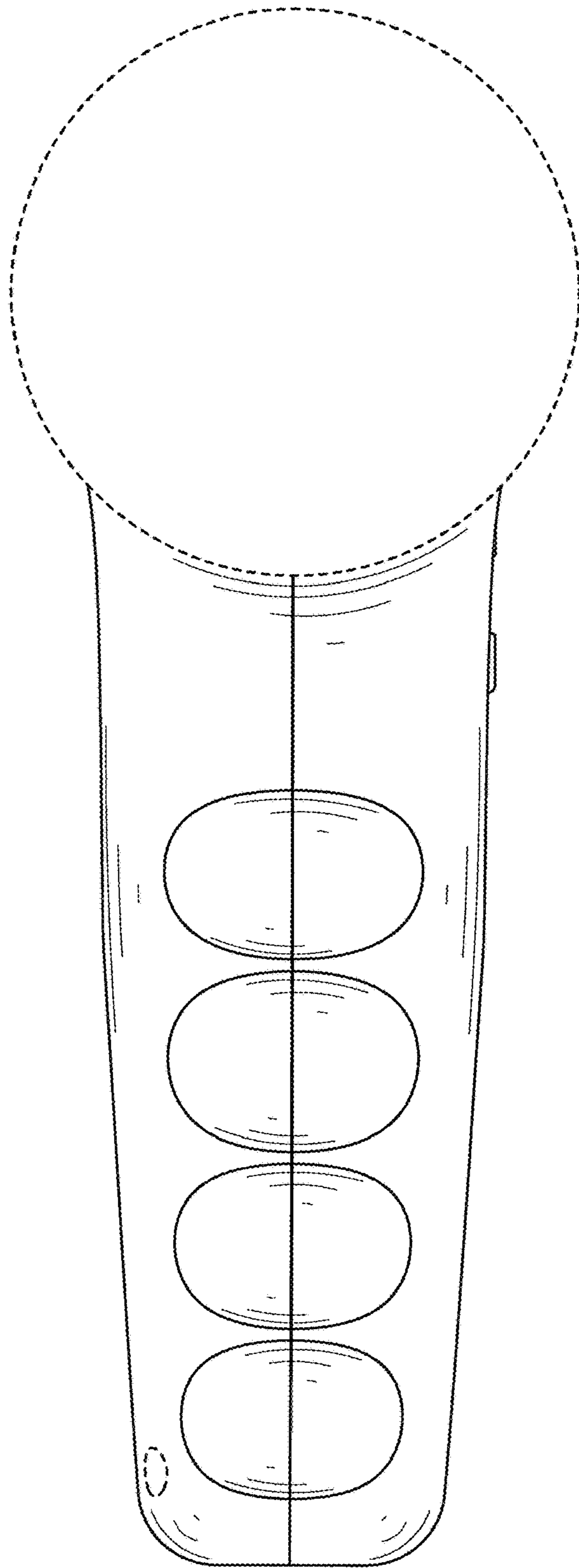


FIG. 3

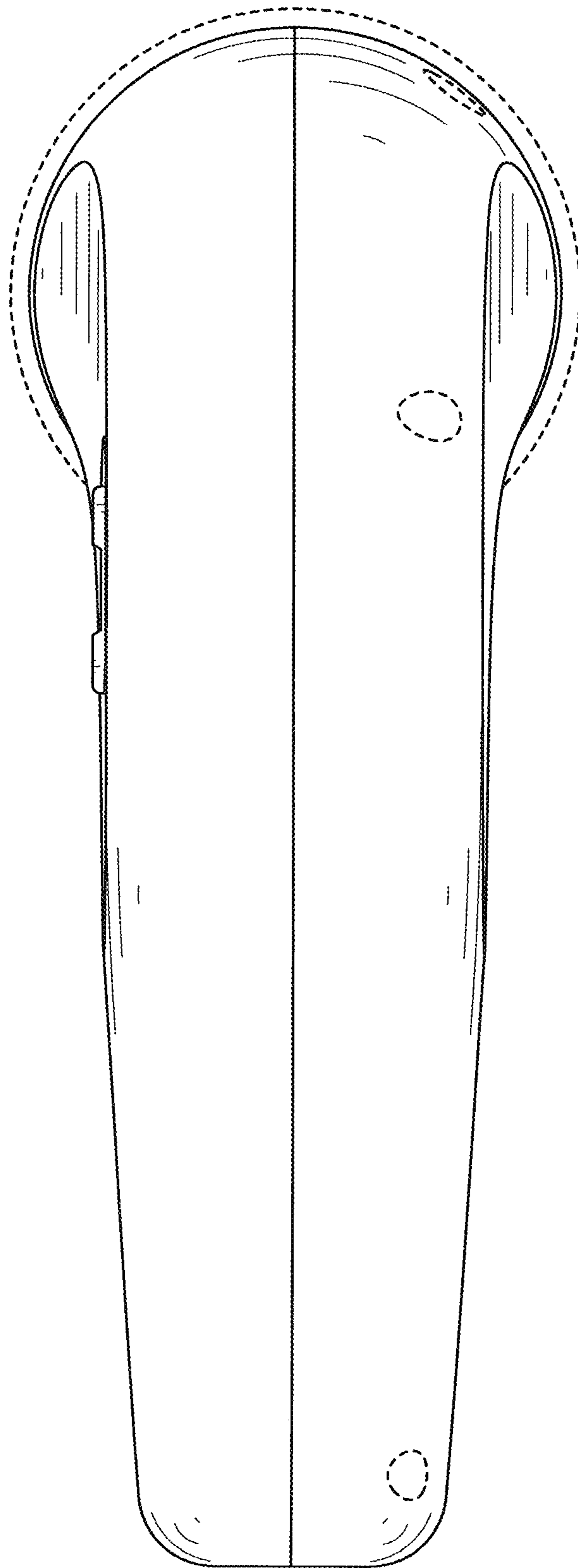


FIG. 4

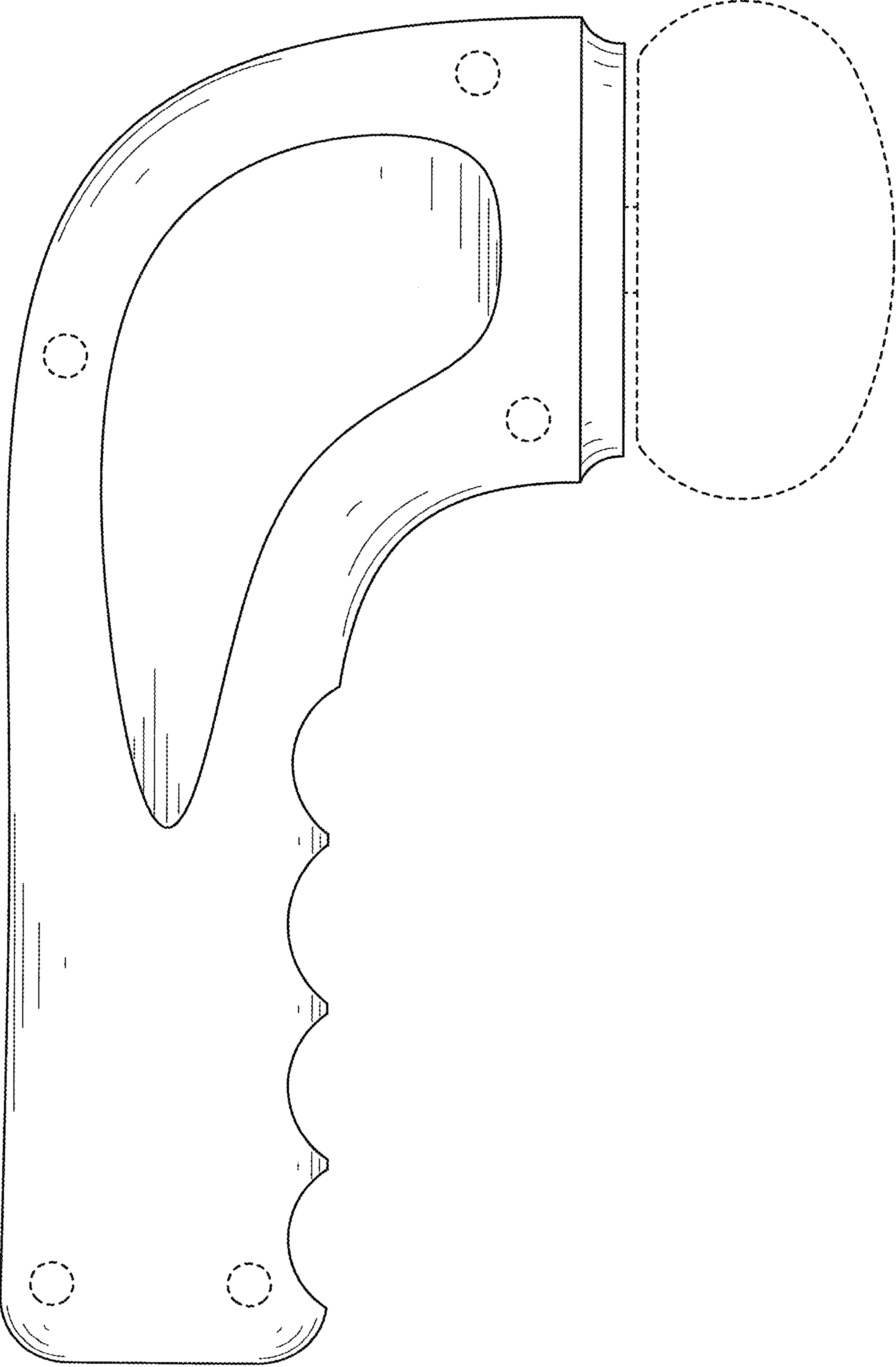


FIG. 5

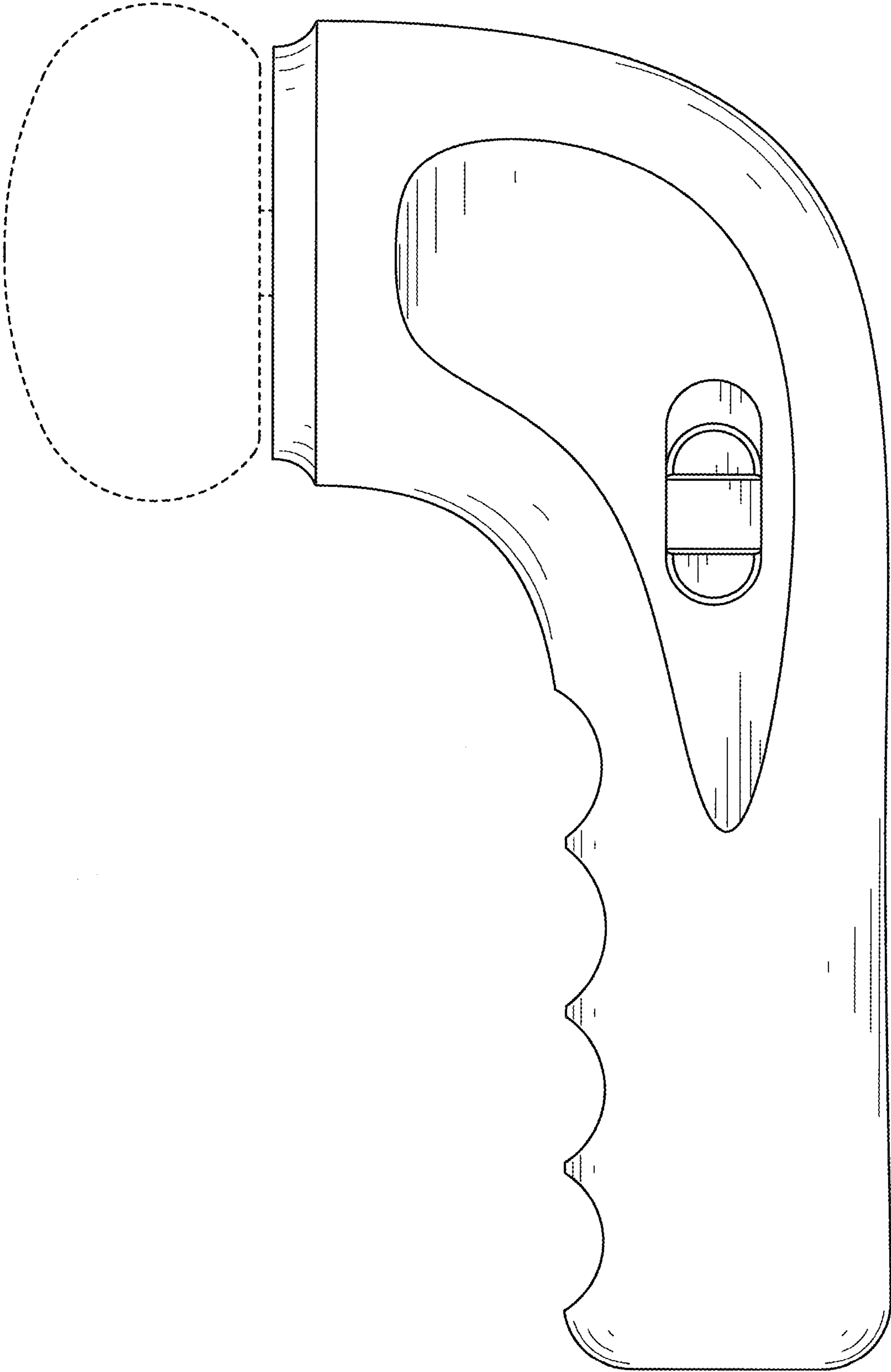


FIG. 6



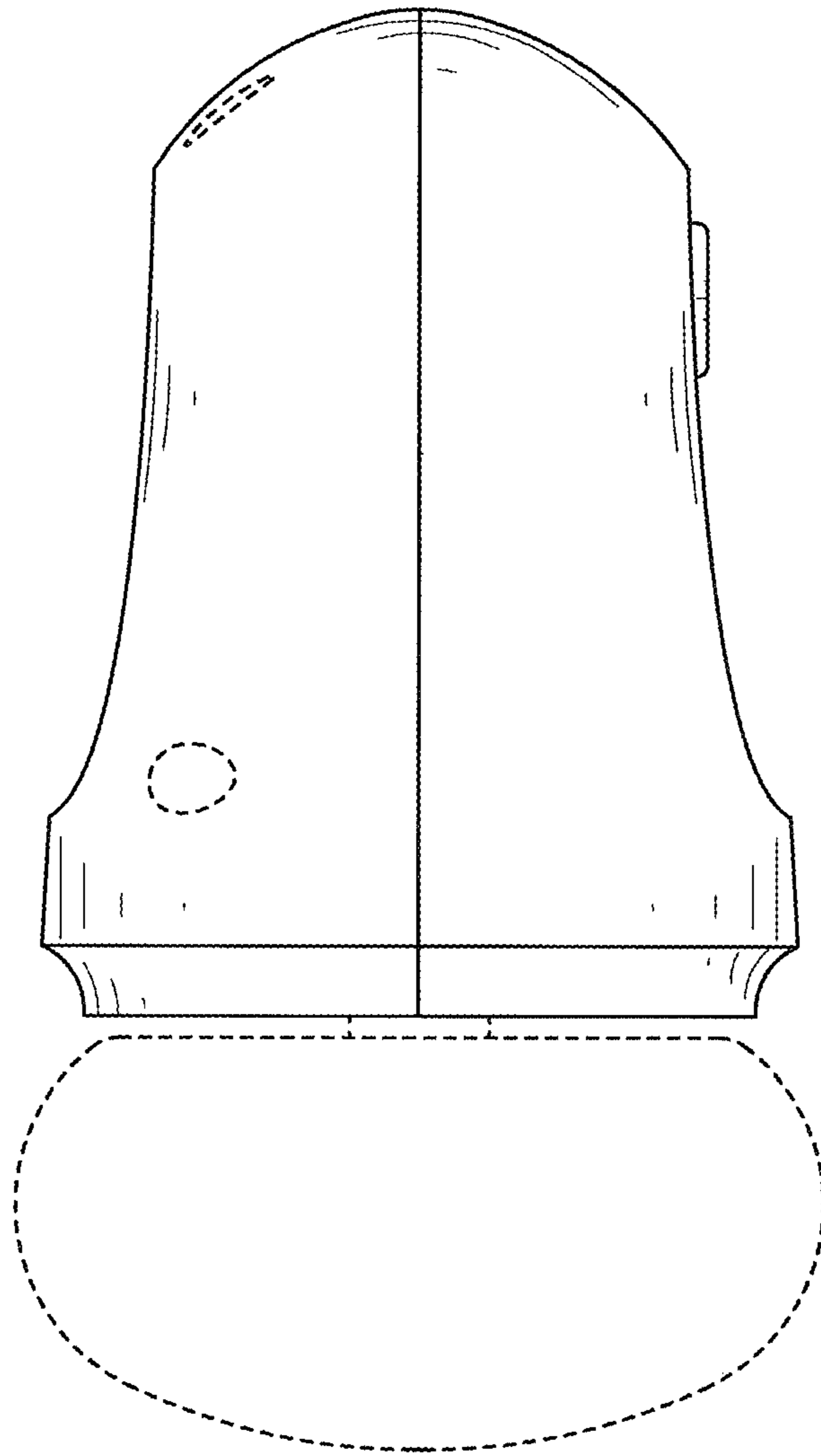


FIG. 7

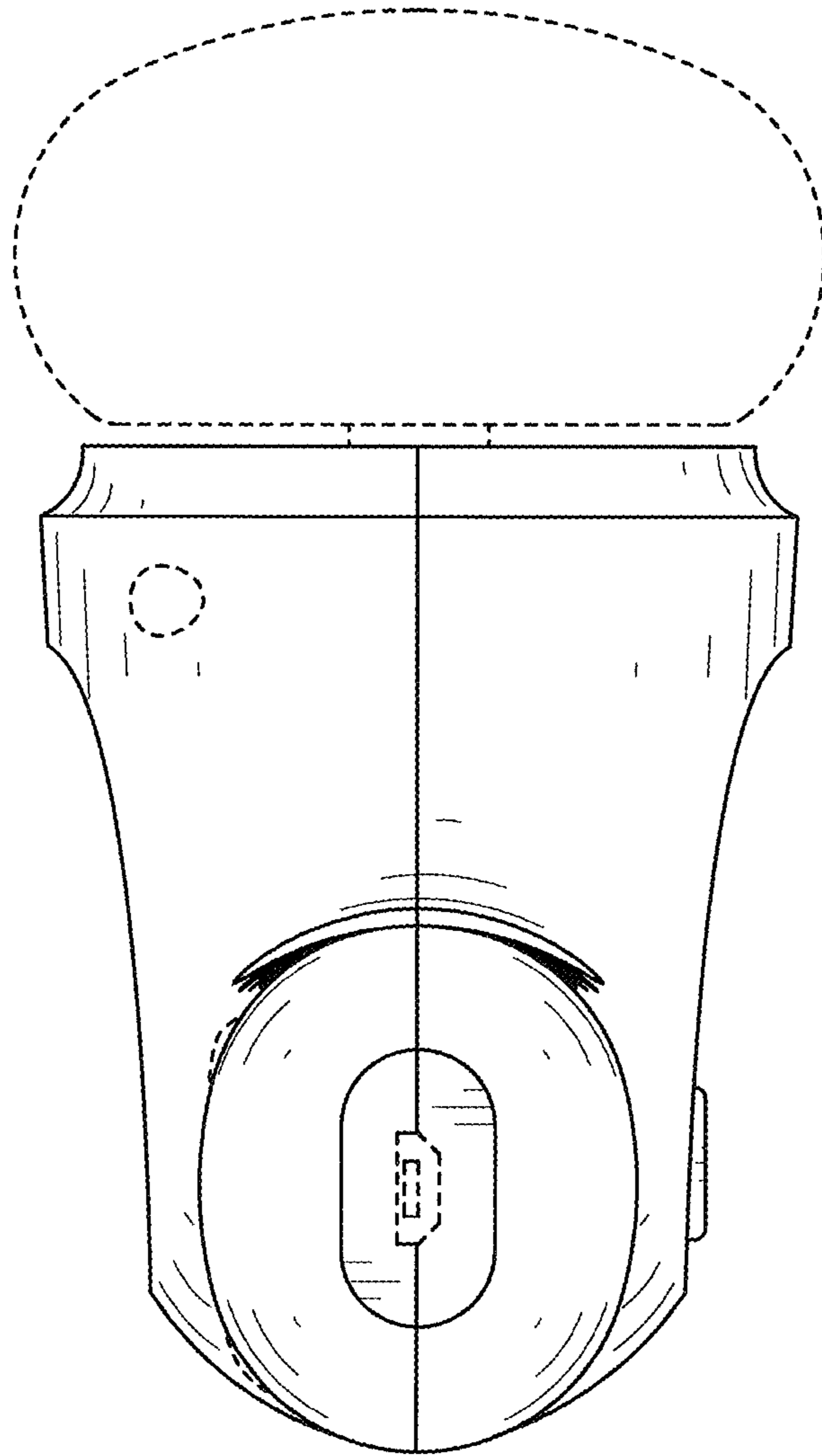


FIG. 8