



US00D945090S

(12) **United States Design Patent**  
**Dai**

(10) **Patent No.:** **US D945,090 S**  
(45) **Date of Patent:** **\*\* Mar. 1, 2022**

(54) **BARK CONTROL DEVICE**  
(71) Applicant: **Shenzhen Xuanyu Xing Technology Co., Ltd.**, Guangdong (CN)  
(72) Inventor: **Lirong Dai**, Guangdong (CN)  
(73) Assignee: **Shenzhen Xuanyu Xing Technology Co., Ltd.**, Shenzhen (CN)

D798,003 S \* 9/2017 Dong ..... D30/199  
D850,732 S \* 6/2019 Dong ..... D30/152  
D850,733 S \* 6/2019 Dong ..... D30/152  
D925,143 S \* 7/2021 Jia ..... D30/199  
D926,396 S \* 7/2021 Jia ..... D30/199

(\*\*) Term: **15 Years**  
(21) Appl. No.: **29/748,977**  
(22) Filed: **Sep. 2, 2020**

**FOREIGN PATENT DOCUMENTS**

EM 008157-127-0001 \* 9/2020  
GB 9008157127-0001 \* 9/2020

\* cited by examiner

*Primary Examiner* — W. A. Teddy Falloway  
*Assistant Examiner* — Katrina N Gonzalez  
(74) *Attorney, Agent, or Firm* — Wayne IP LLC

(30) **Foreign Application Priority Data**  
May 29, 2020 (CN) ..... 202030261295.4  
(51) **LOC (13) Cl.** ..... **30-99**  
(52) **U.S. Cl.**  
USPC ..... **D30/199; D10/104.1**  
(58) **Field of Classification Search**  
USPC ..... D30/144, 151, 152, 153, 155, 156, 199;  
D10/104.1, 104.2, 105, 116.1; D14/137;  
119/712, 714, 716, 717, 718, 719, 720,  
119/722  
CPC ..... A01K 15/02; A01K 15/022  
See application file for complete search history.

(57) **CLAIM**

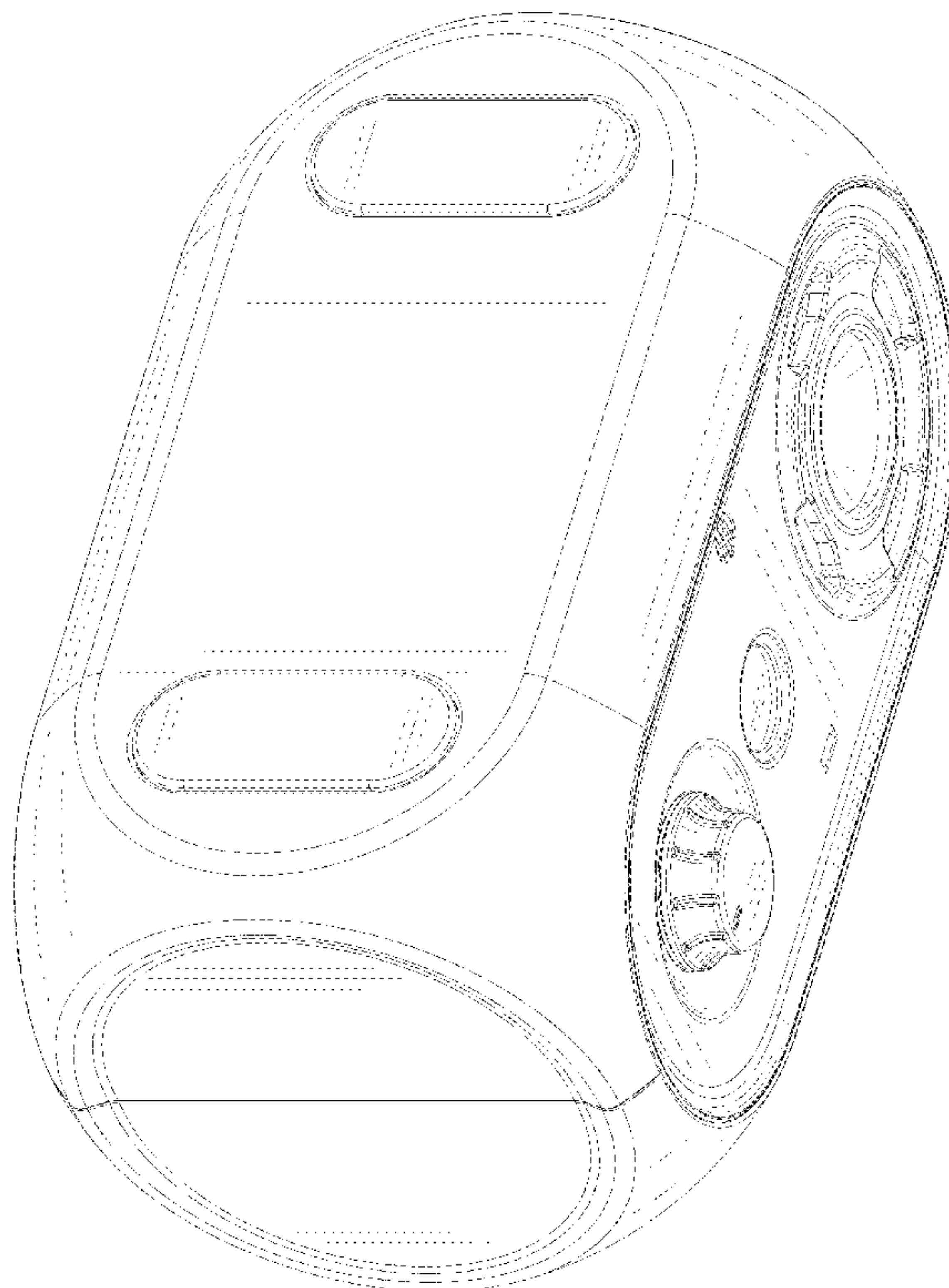
The ornamental design for a bark control device, as shown and described.

**DESCRIPTION**

FIG. 1 is a perspective view of the bark control device showing my new design;  
FIG. 2 is another perspective view thereof;  
FIG. 3 is a front elevation view thereof;  
FIG. 4 is a back elevation view thereof;  
FIG. 5 is a left side view thereof;  
FIG. 6 is a right side view thereof;  
FIG. 7 is a top plan view thereof; and,  
FIG. 8 is a bottom plan view thereof.  
The broken lines illustrate portions of the bark control device that form no part of the claimed design.

(56) **References Cited**  
**U.S. PATENT DOCUMENTS**  
D632,853 S \* 2/2011 Hardi ..... D30/155  
D723,654 S \* 3/2015 Liu ..... D22/120

**1 Claim, 8 Drawing Sheets**



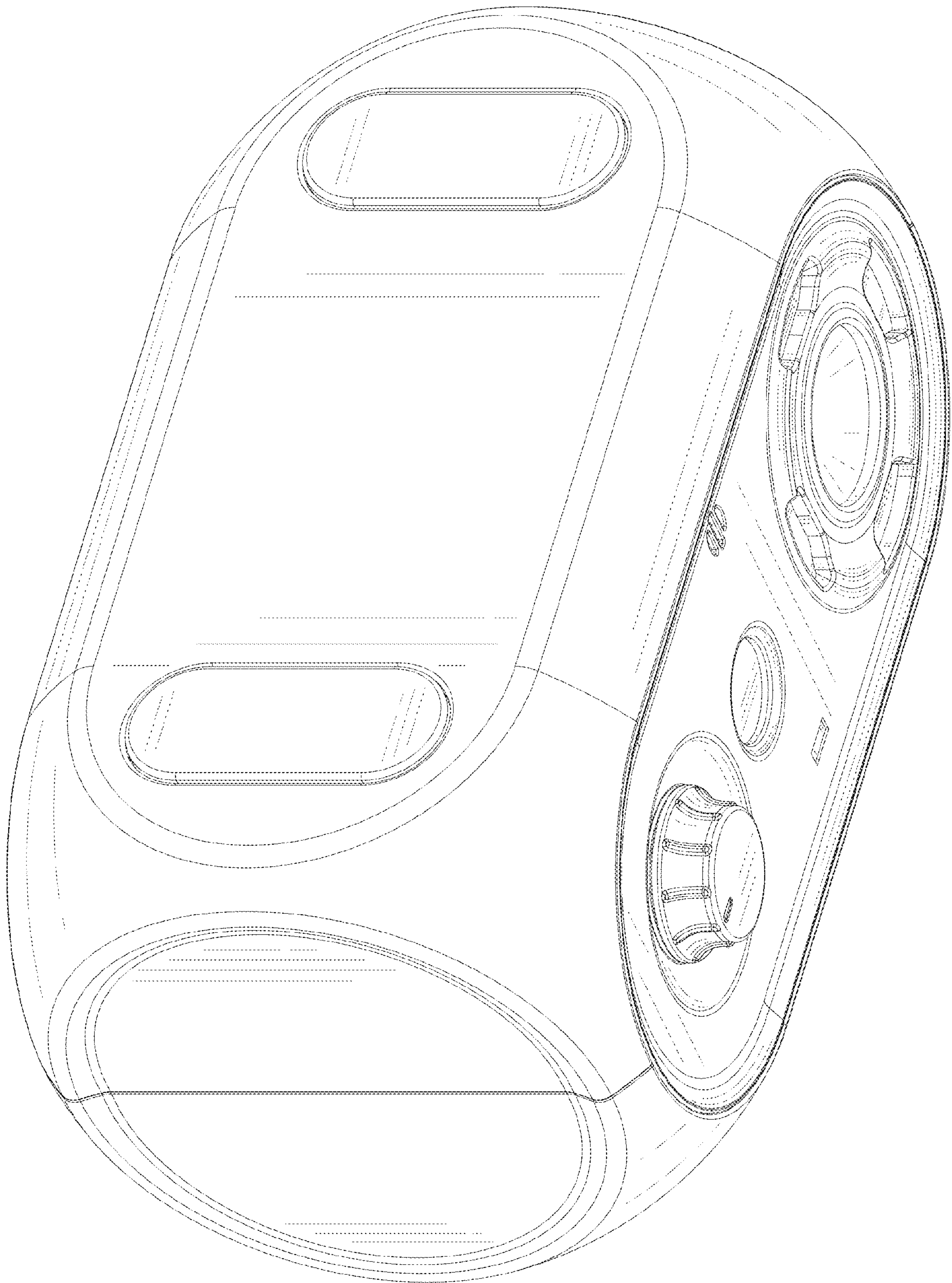


FIG. 1



FIG. 2



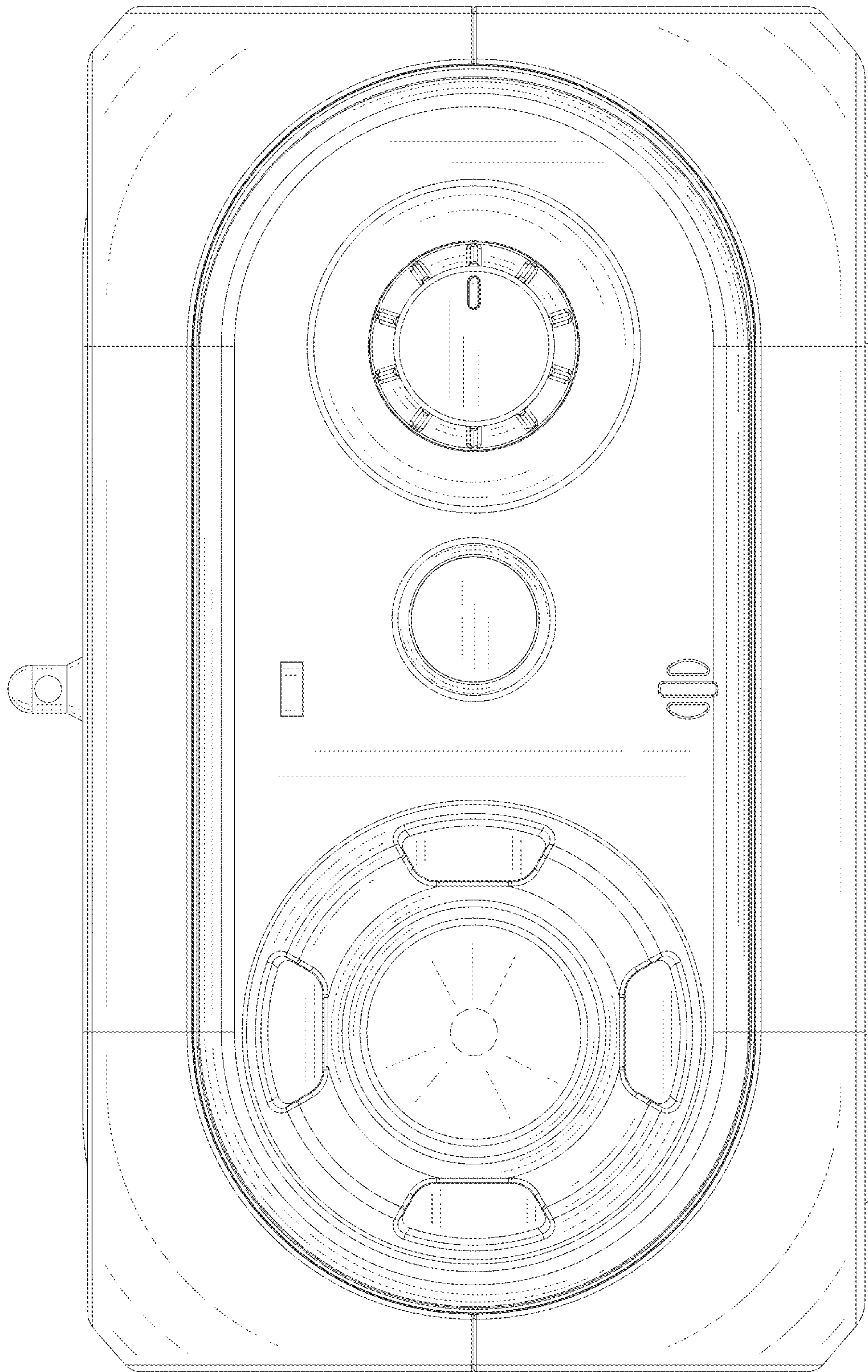


FIG. 3

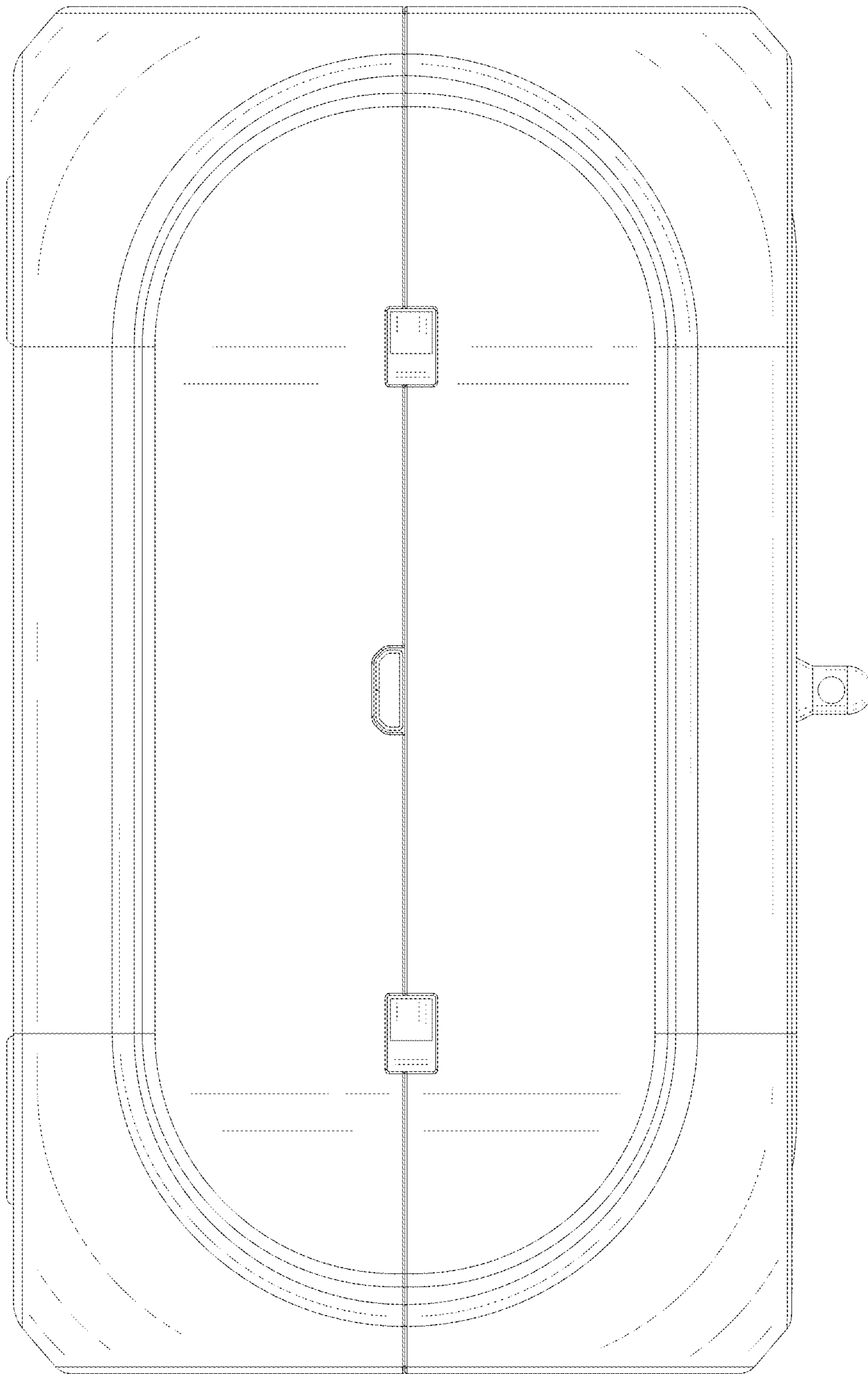


FIG. 4

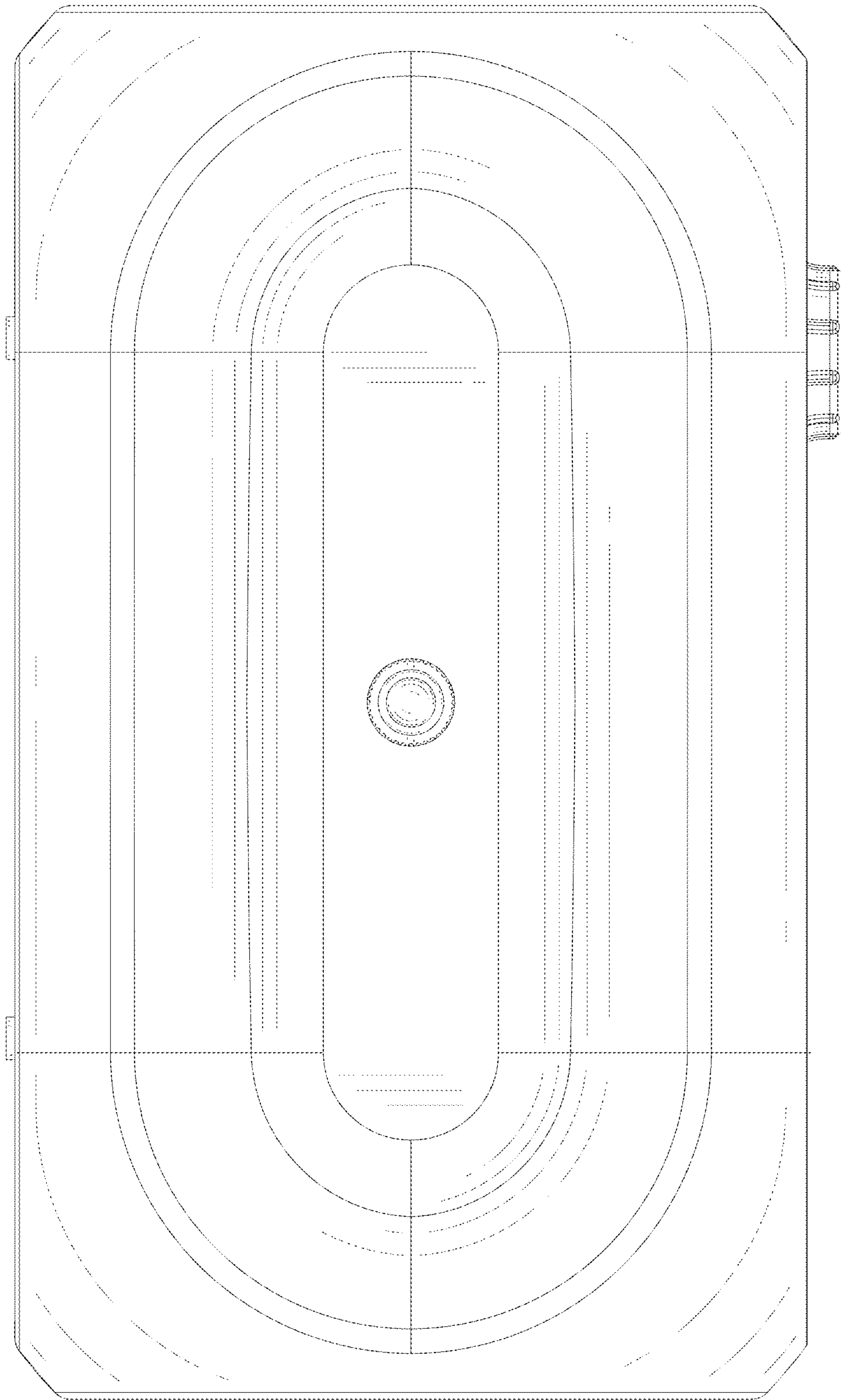


FIG. 5

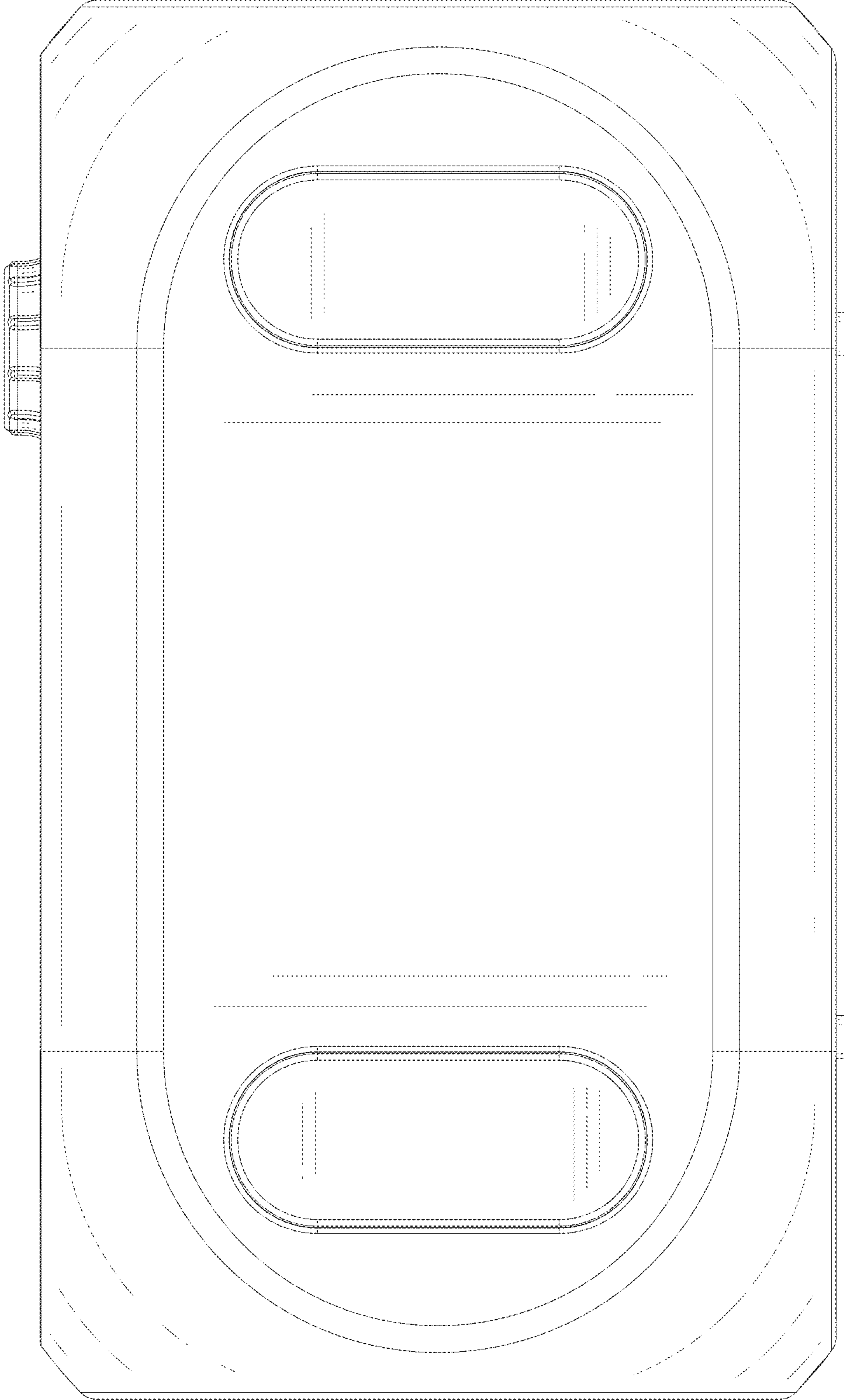


FIG. 6



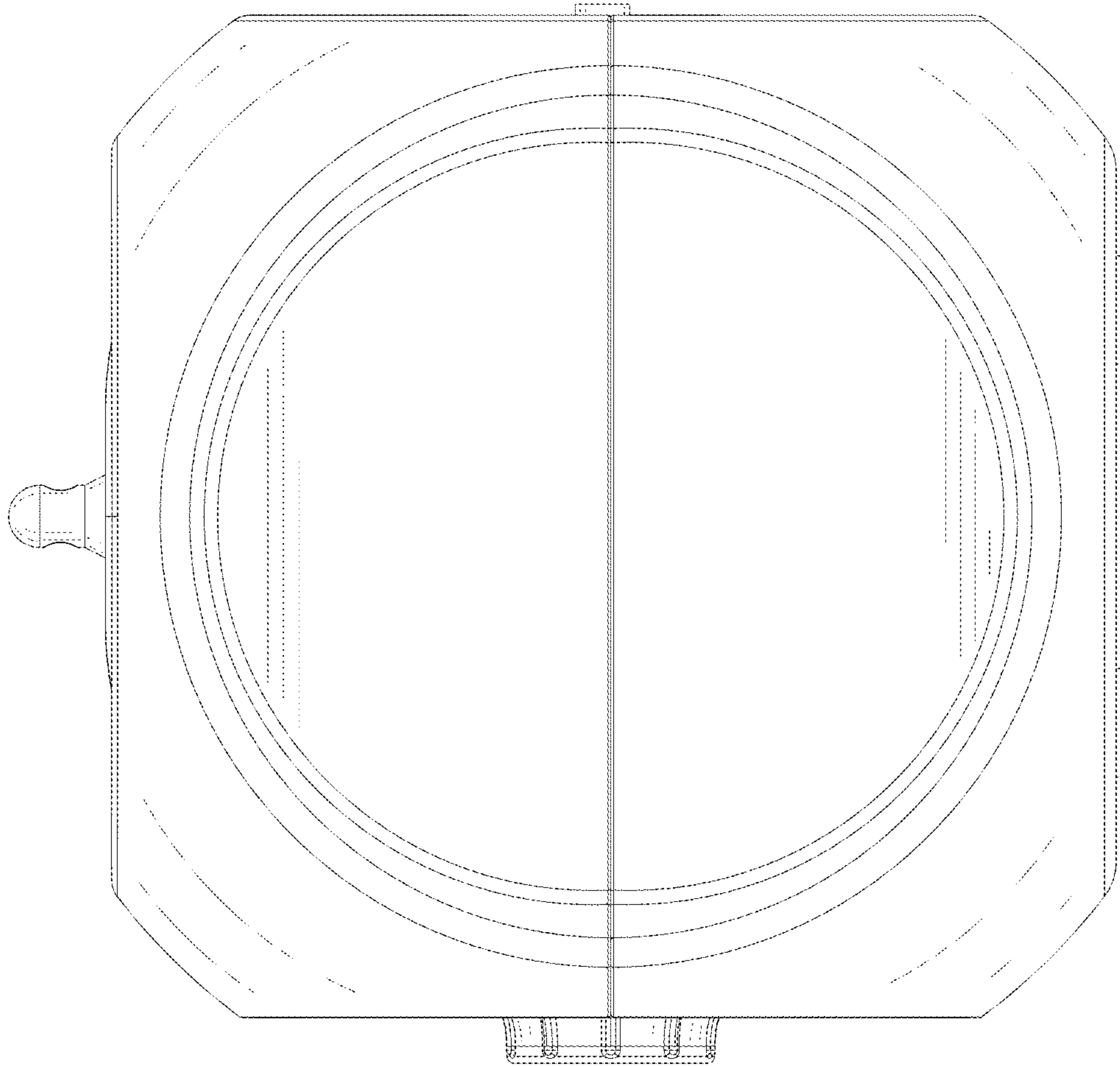


FIG. 7



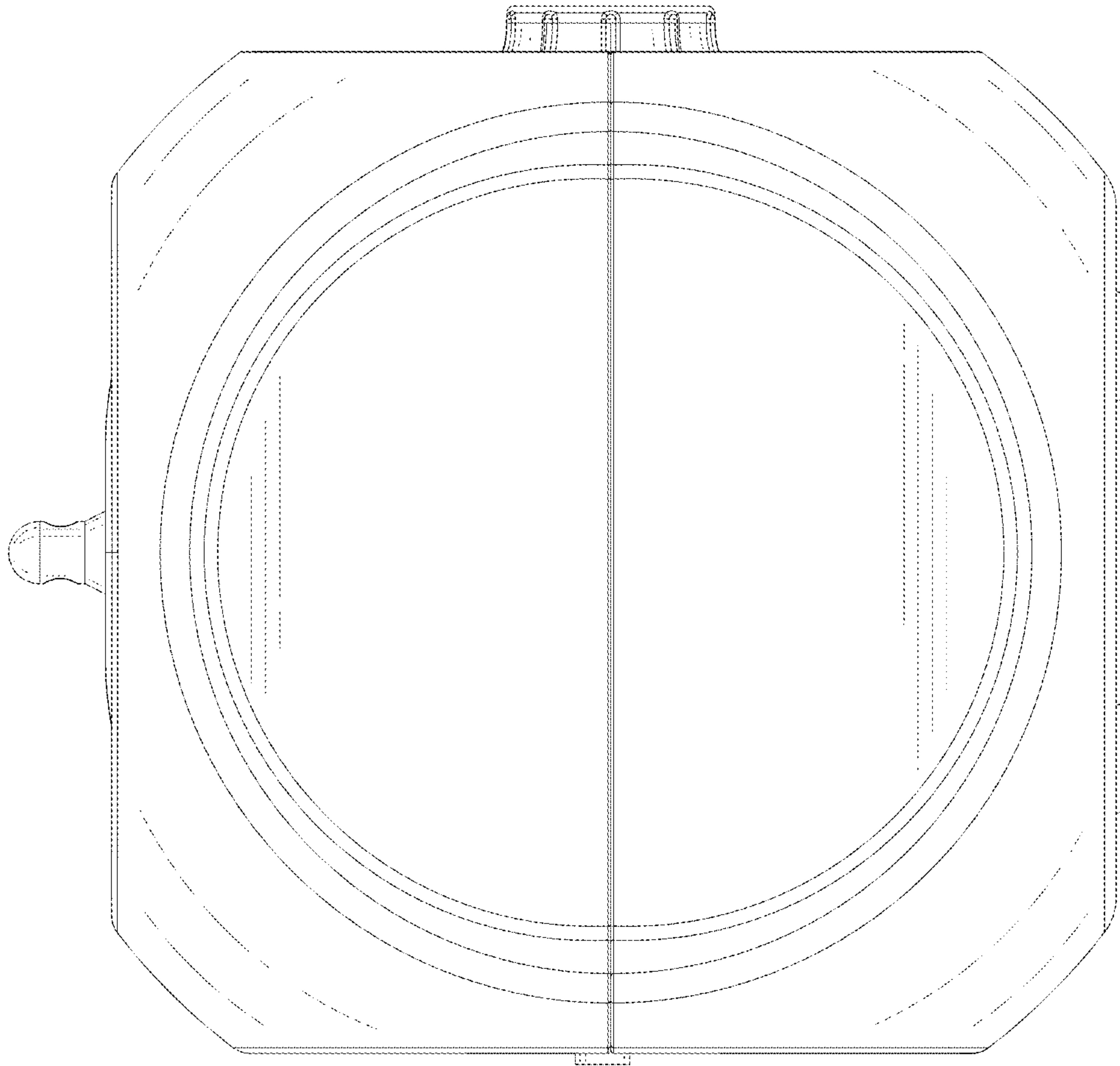


FIG. 8