



US00D945087S

(12) **United States Design Patent** (10) **Patent No.:** **US D945,087 S**
Hu (45) **Date of Patent:** **** Mar. 1, 2022**

(54) **RETRACTABLE LEASH FOR TWO DOGS**

(71) Applicant: **Dongguan Shengwei Plastic Products Co., Ltd.**, Dongguan (CN)

(72) Inventor: **Zhijun Hu**, Dongguan (CN)

(**) Term: **15 Years**

(21) Appl. No.: **29/694,534**

(22) Filed: **Jun. 11, 2019**

Related U.S. Application Data

(63) Continuation-in-part of application No. 29/693,797, filed on Jun. 5, 2019.

(51) **LOC (13) Cl.** **30-04**

(52) **U.S. Cl.**
USPC **D30/153**

(58) **Field of Classification Search**
USPC D30/144, 151, 152, 153, 154, 155, 199;
D21/68, 683, 684, 732, 777, 840;
D3/215, 274, 290; D8/44, 358
CPC .. A01K 27/004; A01K 27/003; A01K 27/005;
A01K 27/008; A01K 23/005; A01K 1/04
See application file for complete search history.

(56) **References Cited**

U.S. PATENT DOCUMENTS

- D379,689 S * 6/1997 Levine D26/38
- D651,366 S * 12/2011 Fisher D30/153
- D725,845 S * 3/2015 Goldy D30/153
- D762,018 S * 7/2016 Schmidt D30/153
- D864,496 S * 10/2019 Baker D30/153
- 2006/0266300 A1 * 11/2006 Perkitny A01K 27/004
119/713
- 2009/0178627 A1 * 7/2009 Bentz A01K 27/004
119/796
- 2012/0006284 A1 * 1/2012 Messner A01K 27/008
119/796

- 2012/0037092 A1 * 2/2012 Sells A01K 27/003
119/795
- 2012/0079994 A1 * 4/2012 Chefetz A01K 27/004
119/796
- 2015/0090196 A1 * 4/2015 Fleming B66D 1/7415
119/795
- 2015/0282456 A1 * 10/2015 Harley A01K 27/006
119/796

(Continued)

OTHER PUBLICATIONS

“Valkit: Double Retractable Dog Leash”. Found online Mar. 24, 2021 at amazon.com. Reference dated Jun. 23, 2019. Retrieved from <https://www.amazon.com.au/Retractable-Flashlight-360°Tangle-Free-Reflective-One-Handed/dp/B07TC1BF3W>.*

(Continued)

Primary Examiner — Kendra Leslie Hamilton

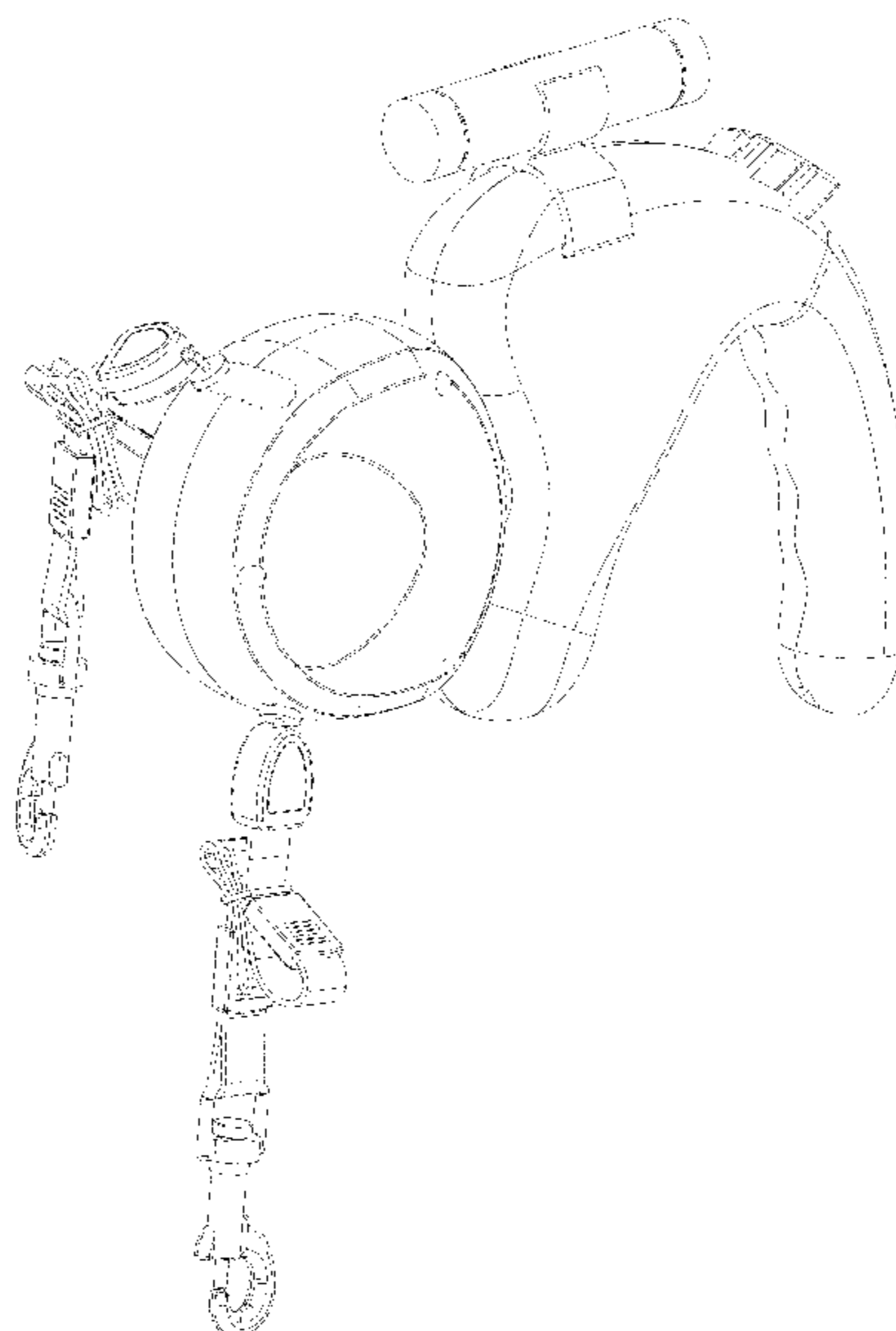
(57) **CLAIM**

The ornamental design for a retractable leash for two dogs, as shown and described.

DESCRIPTION

FIG. 1 is a top, front, left perspective view of a retractable leash for two dogs, showing my new design;
FIG. 2 is a top, rear, left perspective view thereof;
FIG. 3 is a front elevation view thereof;
FIG. 4 is a rear elevation view thereof;
FIG. 5 is a left side elevation view thereof, shown at a larger scale for clarity of disclosure;
FIG. 6 is a right side elevation view thereof;
FIG. 7 is a top plan view thereof, shown at a reduced scale; and,
FIG. 8 is a bottom plan view thereof.
The equal-length broken lines in the drawings depict portions of the retractable leash for two dogs that form no part of the claimed design.

1 Claim, 8 Drawing Sheets



(56)

References Cited

U.S. PATENT DOCUMENTS

2019/0141958 A1* 5/2019 Price F41H 9/10
119/796

OTHER PUBLICATIONS

“PetLoft: Dual Retractable Dog Leash with LED Light”. Found online Mar. 24, 2021 at amazon.com. Reference dated Sep. 6, 2019. Retrieved from <https://www.amazon.ca/PetLoft-Retractable-Adjustable-No-Tangle-Pull-Out/dp/B07XHGQGVQ>.*

“Wigzi: Dual Doggie Pet Leash”. Found online Jan. 5, 2018 at amazon.com. Reference dated Jan. 27, 2013. Retrieved from https://www.amazon.com/Dual-Doggie-Pet-Leash-Tangle/dp/B00B5N4KJI/ref=cm_cr_ar_p_d_product_top?ie=UTF8.*

“Pet Supplies Tips: Top 19 Best Dog Leash Bags”. Found online Feb. 28, 2019 at petsuppliestips.com. Reference dated May 26, 2017. Retrieved from <https://www.petsuppliestips.com/top-19-best-dog-leash-bags/>.*

* cited by examiner

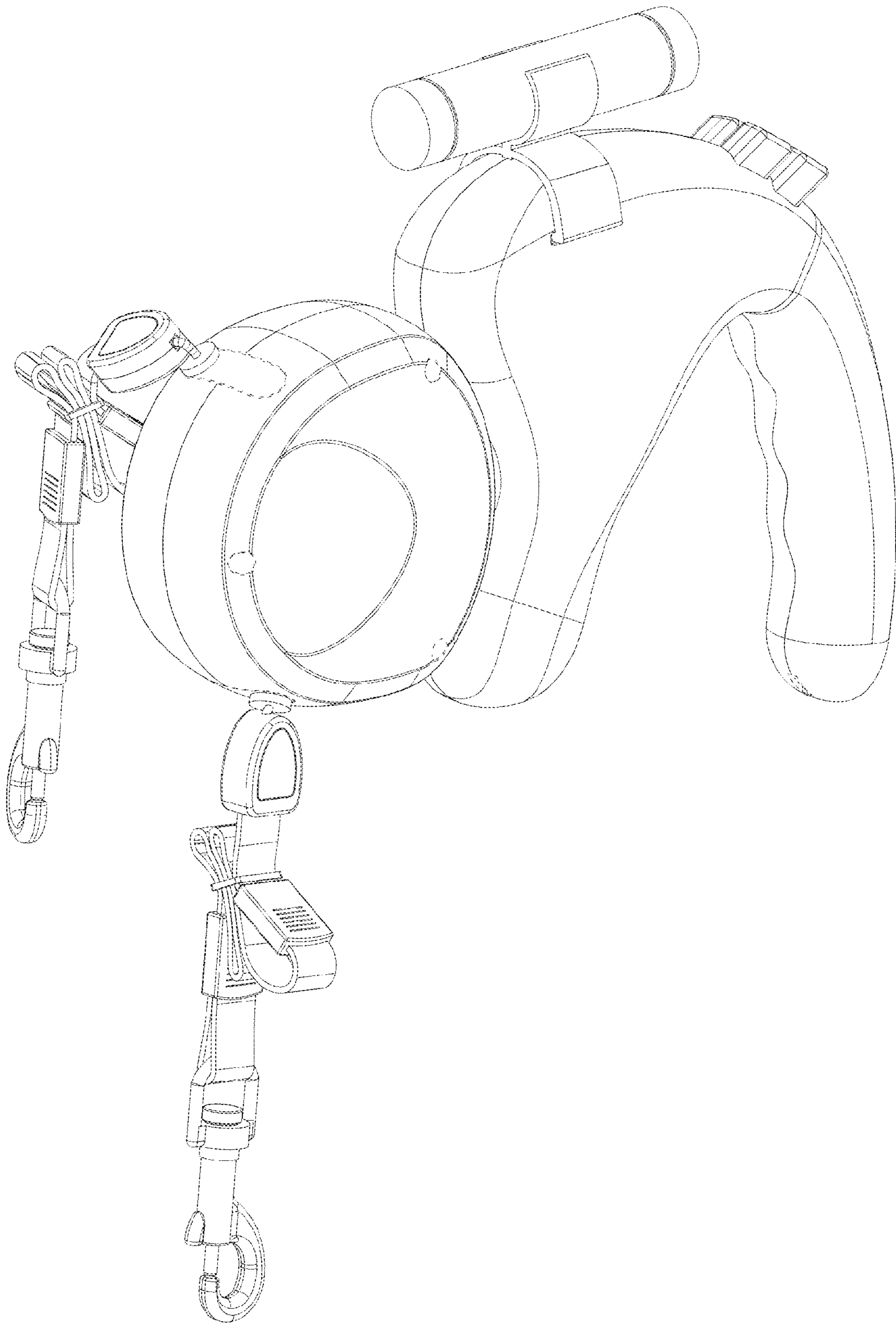


FIG. 1

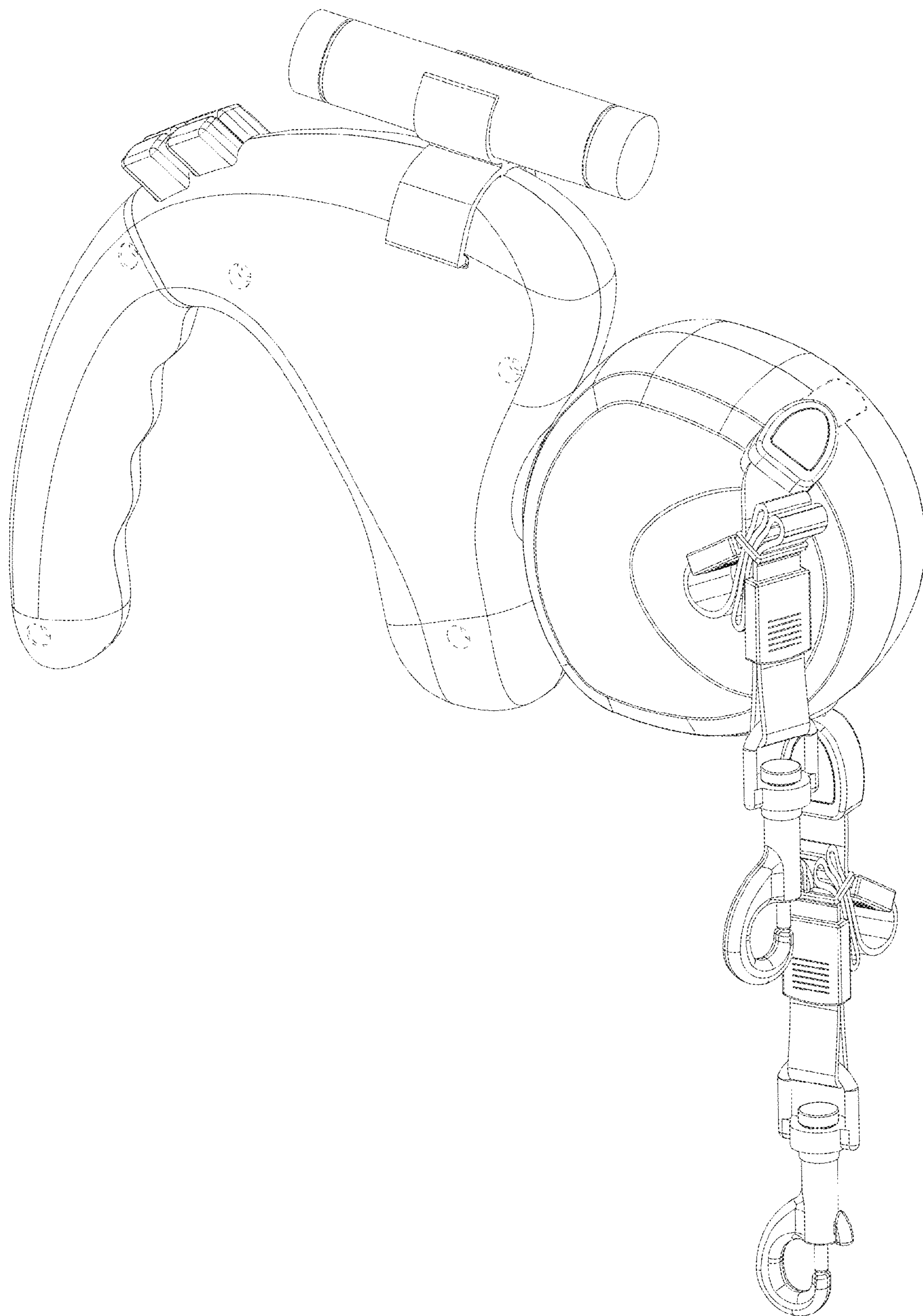


FIG. 2

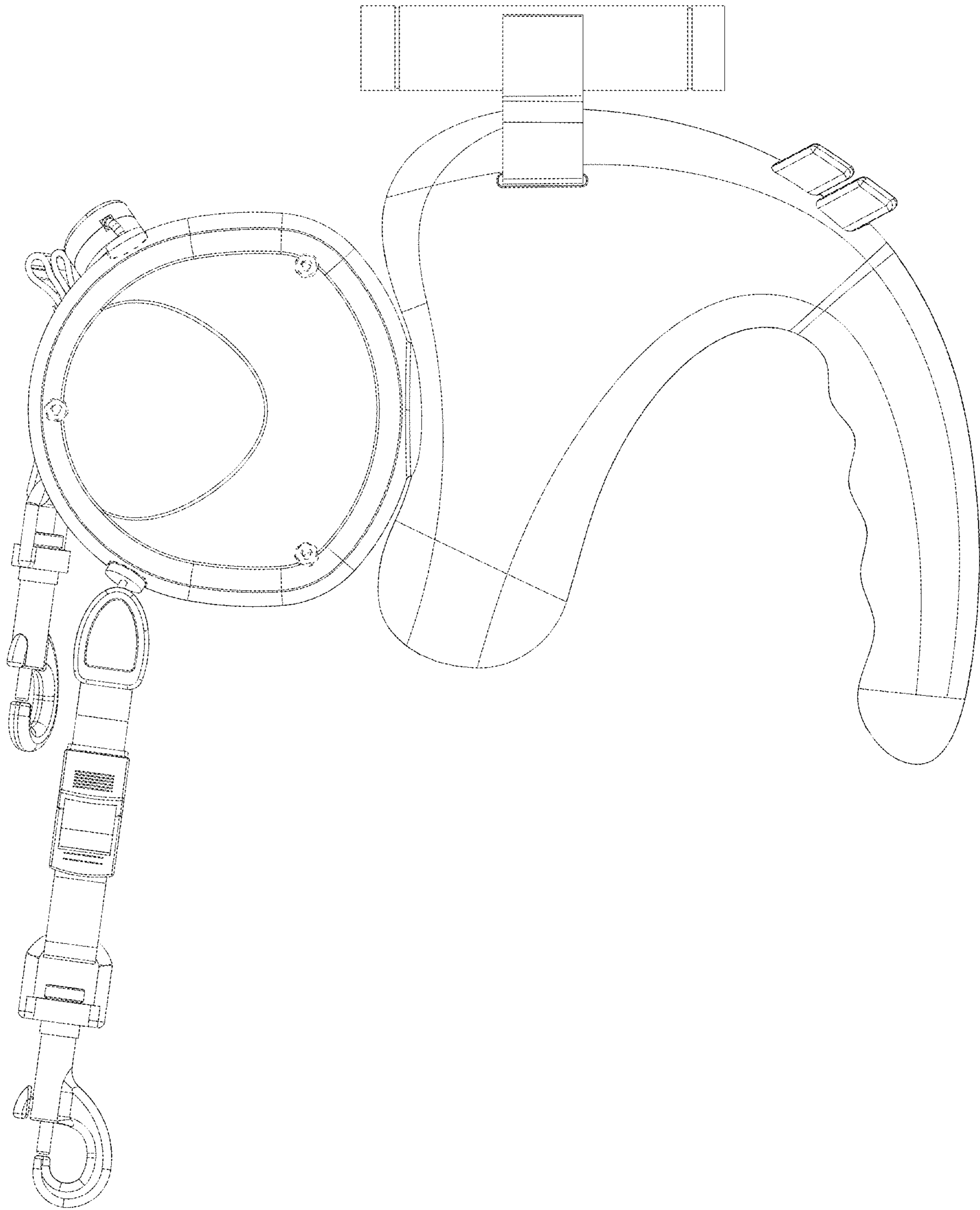


FIG. 3

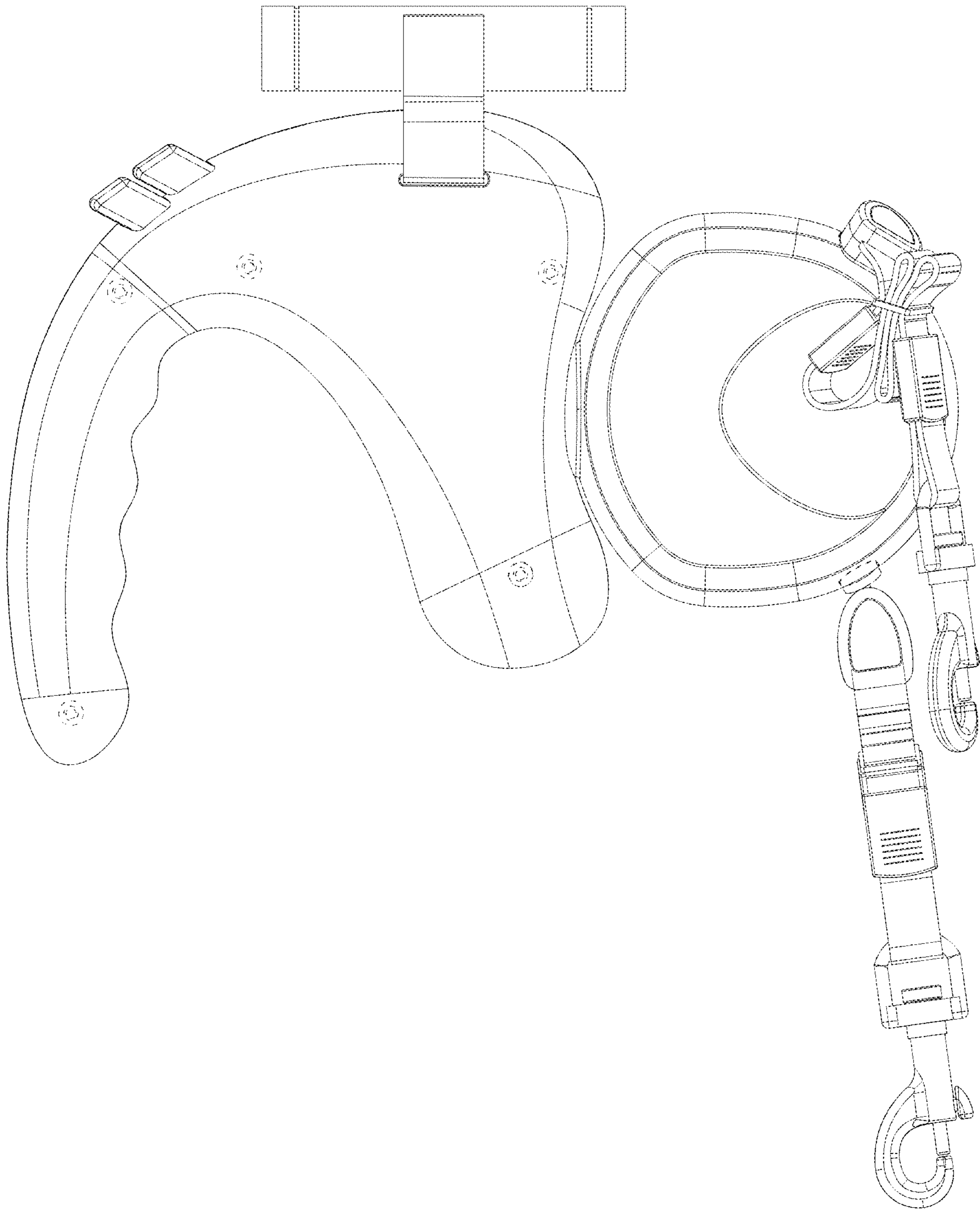


FIG. 4

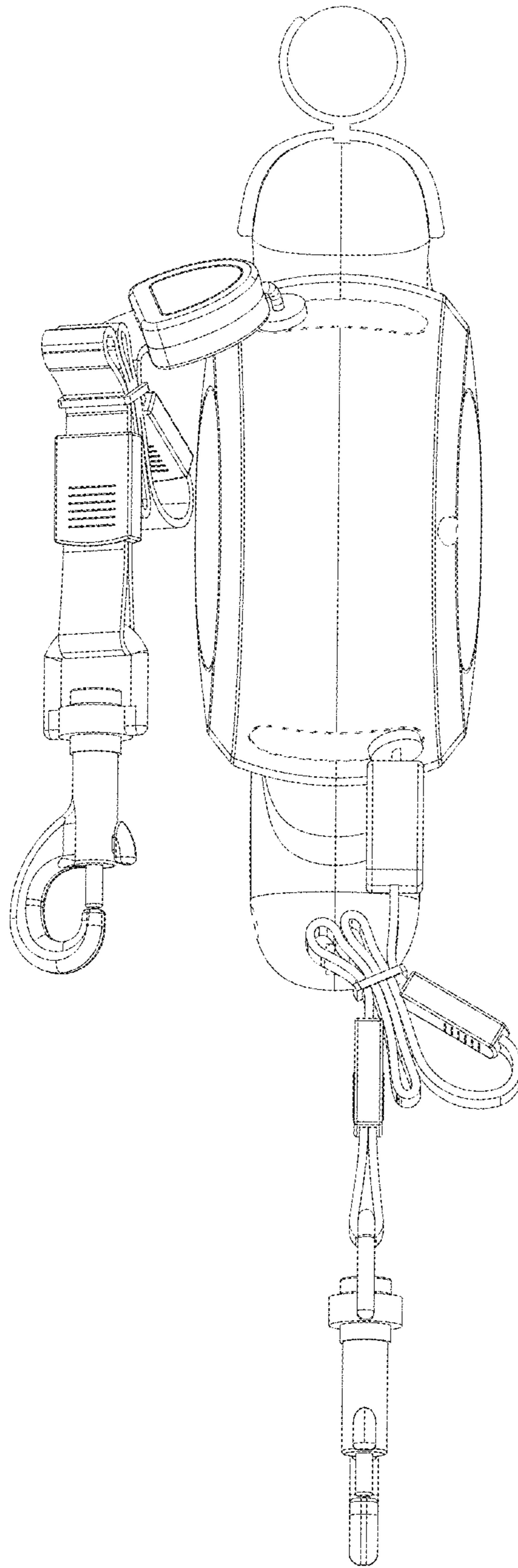


FIG. 5

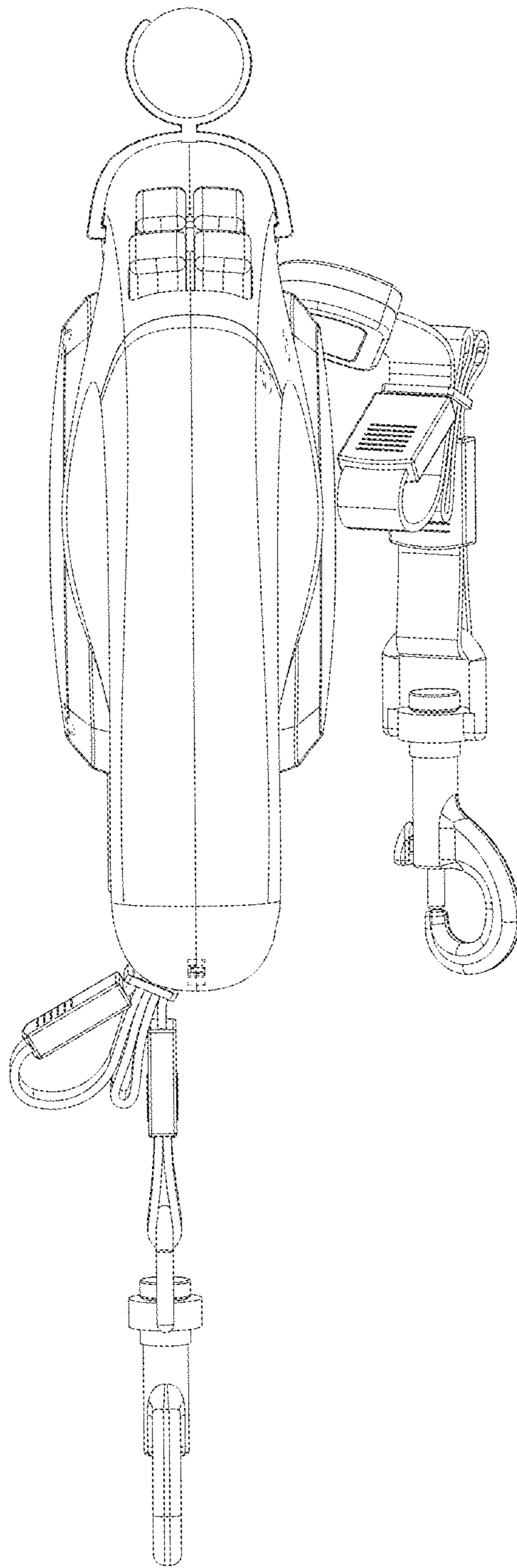


FIG. 6

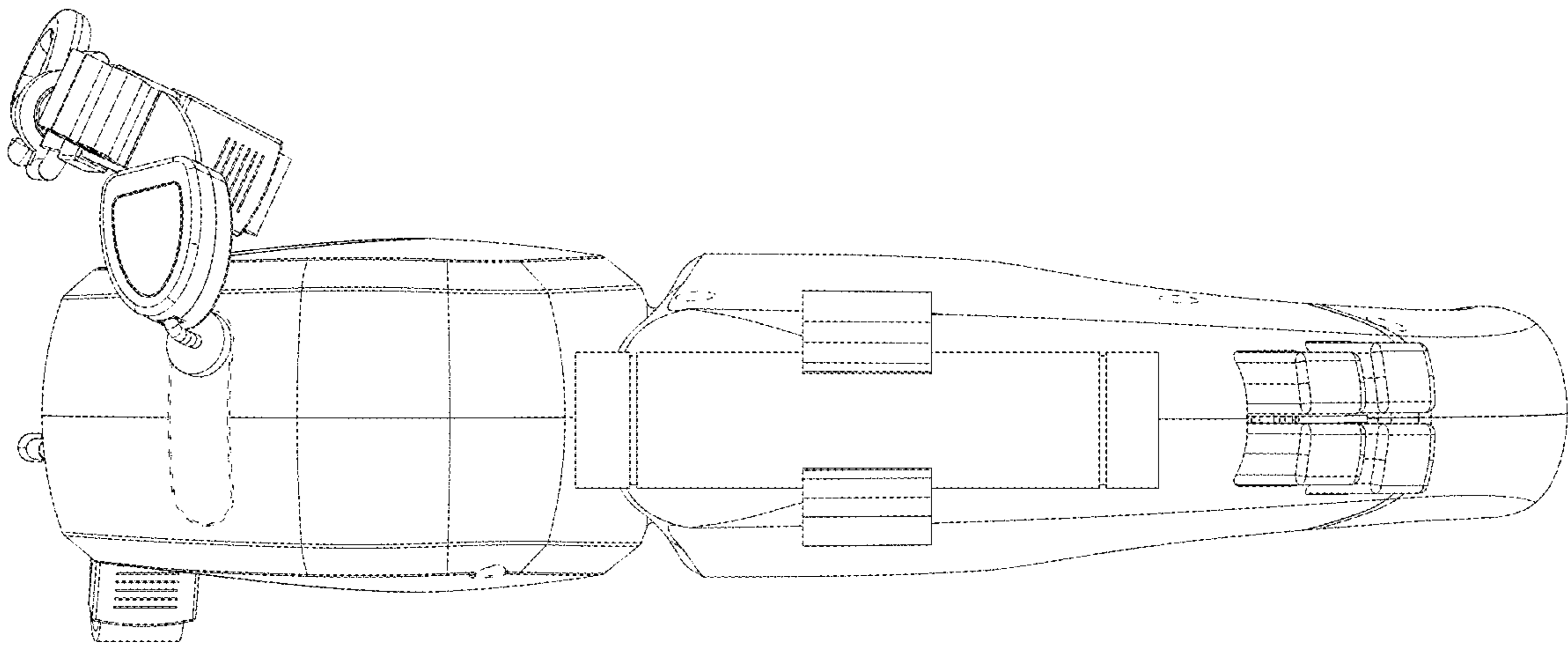


FIG. 7

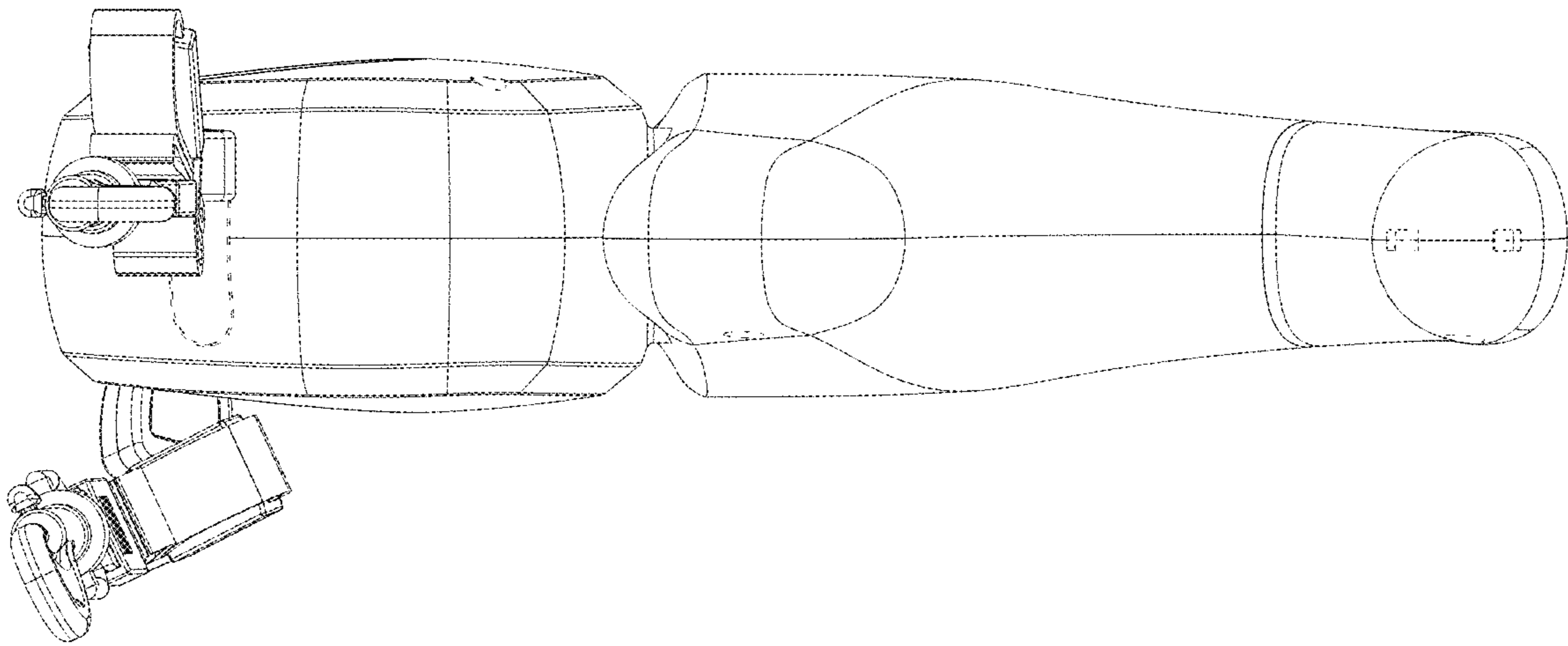


FIG. 8