



US00D945083S

(12) **United States Design Patent**
Pisarevsky

(10) **Patent No.:** **US D945,083 S**
(45) **Date of Patent:** **** Mar. 1, 2022**

- (54) **BEVERAGE CONTAINER WITH BOWL**
- (71) Applicant: **Arie Pisarevsky**, Montreal (CA)
- (72) Inventor: **Arie Pisarevsky**, Montreal (CA)
- (**) Term: **15 Years**
- (21) Appl. No.: **29/698,719**
- (22) Filed: **Jul. 18, 2019**
- (51) **LOC (13) Cl.** **30-03**
- (52) **U.S. Cl.**
USPC **D30/132**; D30/121; D30/129
- (58) **Field of Classification Search**
USPC D30/121-133; 119/51.01, 61, 51.04, 53, 119/57.91, 54, 53.5, 52.4, 51.11, 63, 61.2, 119/52.1, 57.5, 57.6, 51.13, 62, 75, 500, 119/501, 72, 72.5, 74, 78-81, 61.56, 51.5; 239/7, 687, 379, 397.5; 222/199, 181.1, 222/181.2, 185.1, 557, 156, 485, 486, 222/548, 555, 207, 205, 424, 438, 48, 222/206, 212, 215, 460, 461, 525, 86, 89; 220/200, 227, 247, 262, 694, 700, 701, 220/703, 660-662, 521, 705, 709, 287, 220/523, 574, 6, 771, 737, 23.83, 212, 220/4.22, 847; 221/174, 185.1, 289, 295, 221/296, 559; 454/35; 209/270, 283, 209/244; 52/194, 192; 49/279, 344, 357; D34/28; D9/531, 549, 516, 523, 530, D9/538, 541, 544, 559, 719, 716, 424, D9/426, 432, 428, 431, 433, 739; D7/300, 300.1, 302-305, 312, 316, 317, D7/507-512, 523, 524, 528, 700, 709, D7/605, 620, 612, 619.1, 624.2, 624.3, D7/550.1, 571, 587; D3/132; D15/143, D15/199; D28/4, 7, 9; D19/66; 141/343, 331, 340, 384, 330, 332, 383, 141/311 R, 313, 338, 344, 345; 210/455; 215/228, 231, 235, 319-383, 386, DIG. 7, 215/388, 6, 12.1, 10, 13.1; 4/258, 259, 4/267; 206/459.1, 459.5, 501, 45.23, 6,

206/514, DIG. 10, 217, 543, 544, 546, 206/549, 223, 241, 541, 518, 522, 557, 206/591; 224/148.4, 148.7, 650
 CPC . A01K 7/00; A01K 7/005; A01K 7/02; A01K 7/022; A01K 7/06; A01K 39/0213; A01K 39/02; B65D 41/26; B65D 41/265; B65D 41/28; B65D 41/32; B65D 41/325; B65D 41/34; B65D 41/56; B65D 51/20; B65D 51/249; B65D 51/24; B65D 51/28; B65D 47/243; B65D 2205/04; B65D 21/0238; B65D 81/3205; B65D 81/3216; B65D 71/50; B65D 77/2024; B65D 43/0212; B65D 2517/0049; B65D

(Continued)

(56) **References Cited**

U.S. PATENT DOCUMENTS

- 378,752 A * 2/1888 Ader B65D 81/3205
215/6
- 1,488,492 A * 4/1924 Gray A45C 11/20
206/544

(Continued)

Primary Examiner — Susan Moon Lee

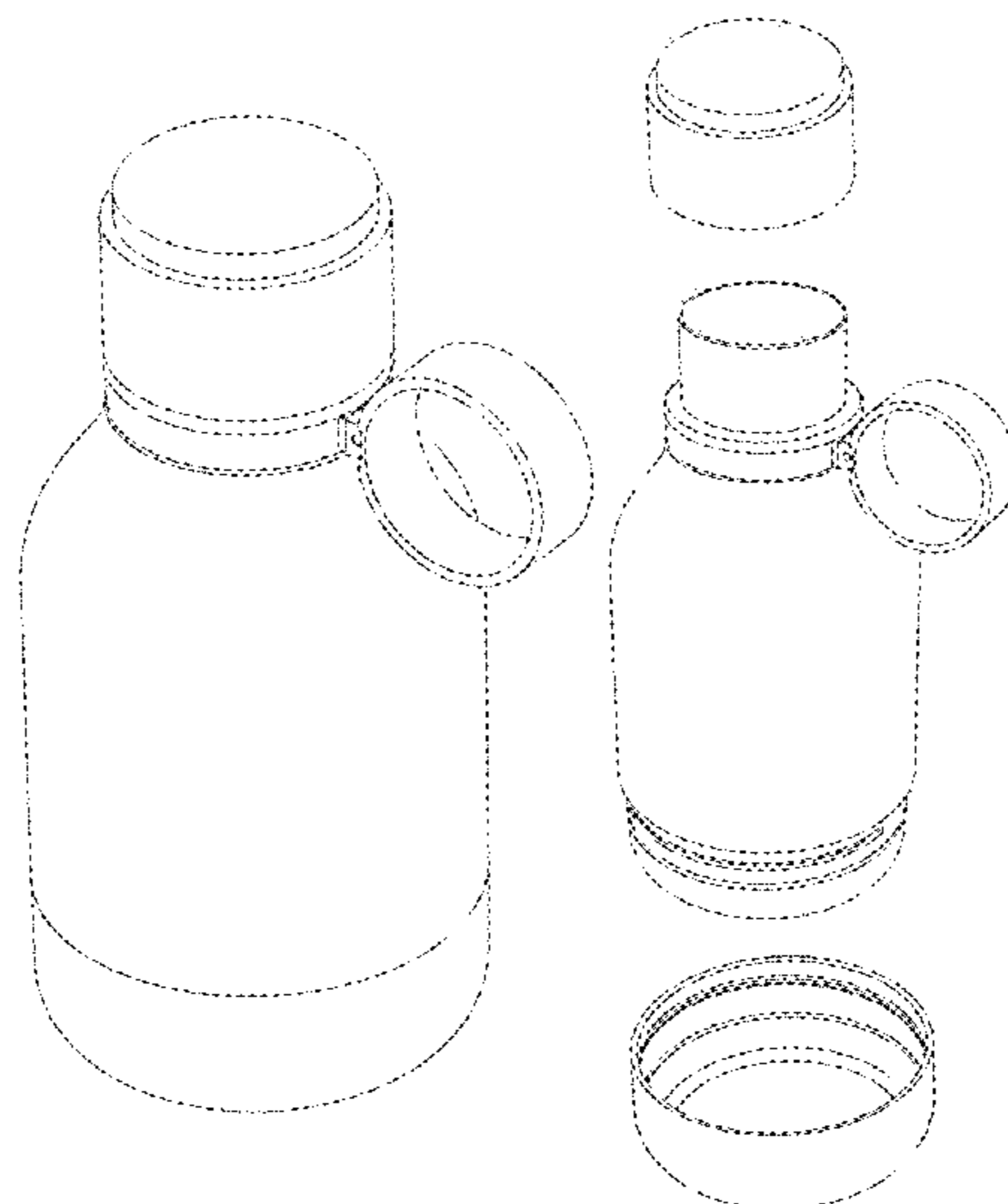
(57) **CLAIM**

The ornamental design for a beverage container with bowl, as shown and described.

DESCRIPTION

FIG. 1 is a front view of a beverage container with bowl showing my new design;
 FIG. 2 is a side view thereof;
 FIG. 3 is a top perspective view thereof;
 FIG. 4 is a bottom perspective view thereof;
 FIG. 5 is an exploded top perspective view thereof;
 FIG. 6 is a top view thereof; and,
 FIG. 7 is a bottom view thereof.
 All broken lines in the drawings are for illustrative purposes only and form no part of the claimed design.

1 Claim, 6 Drawing Sheets



(58) **Field of Classification Search**
 CPC 2543/00046; B65D 2543/00092; B65D
 2543/00537; B65D 2543/00731; B65D
 2543/00796; B65D 2577/205; A61J 9/00;
 A61J 9/006; A61J 9/001; A61J 9/003;
 A61J 11/04; A61J 19/00; B65B 39/00;
 B65B 39/001; B65B 39/005; B65B
 39/007; B67C 11/02; G01F 11/286; B67B
 7/28

See application file for complete search history.

(56) **References Cited**

U.S. PATENT DOCUMENTS

1,520,964 A * 12/1924 Ostrowski A45C 11/20
 206/544
 1,744,328 A * 1/1930 Morley A47J 43/27
 215/383
 1,901,534 A * 3/1933 Redfield A45C 11/20
 206/543
 2,576,725 A * 11/1951 Schoelies B65D 21/0224
 215/10
 2,687,231 A * 8/1954 Somers B65D 21/0224
 206/503
 3,978,233 A * 8/1976 Bolt A47J 31/005
 426/115
 D360,498 S * 7/1995 Belasco D30/119
 5,636,592 A * 6/1997 Wechsler A01K 7/02
 119/52.1
 D406,062 S * 2/1999 Brewer D9/520
 6,293,226 B1 * 9/2001 Hwang A01K 7/06
 119/72
 6,405,675 B1 * 6/2002 Mills A01K 7/00
 119/51.5

6,945,416 B2 * 9/2005 Manno B65D 59/04
 206/217
 D623,460 S * 9/2010 Krasner D7/300.1
 D628,088 S * 11/2010 Huntington D9/719
 D648,177 S * 11/2011 Eyal D7/510
 D654,752 S * 2/2012 Krasner D7/300.1
 8,371,244 B2 * 2/2013 Krasner A01K 7/00
 119/72.5
 8,402,722 B2 * 3/2013 Buesching A47G 19/2205
 53/420
 D689,332 S * 9/2013 Krasner D7/510
 D709,387 S * 7/2014 Marina D9/738
 D724,896 S * 3/2015 Williams D7/511
 D727,171 S * 4/2015 Marina D9/738
 9,505,527 B1 * 11/2016 Campbell A47G 19/2205
 10,064,388 B2 * 9/2018 Graves A01K 5/0114
 D854,256 S * 7/2019 Flores D30/132
 10,364,057 B2 * 7/2019 Tinsley B65D 23/12
 D881,717 S * 4/2020 Jack D9/746
 2010/0064976 A1 * 3/2010 Keller B65D 47/2018
 119/72
 2010/0243658 A1 * 9/2010 Davtyan B65D 1/0261
 220/500
 2010/0313817 A1 * 12/2010 Krasner A01K 7/00
 119/72.5
 2011/0097453 A1 * 4/2011 Buesching B65D 77/0493
 426/120
 2012/0193316 A1 * 8/2012 Starks B65D 81/3205
 215/6
 2012/0298045 A1 * 11/2012 Wechsler A01K 7/00
 119/52.1
 2017/0127859 A1 * 5/2017 Hornung A45F 3/18
 2017/0327263 A1 * 11/2017 Haar B65D 41/04
 2018/0228280 A1 * 8/2018 Li A47B 23/06
 2021/0235665 A1 * 8/2021 Brown A45F 3/18

* cited by examiner

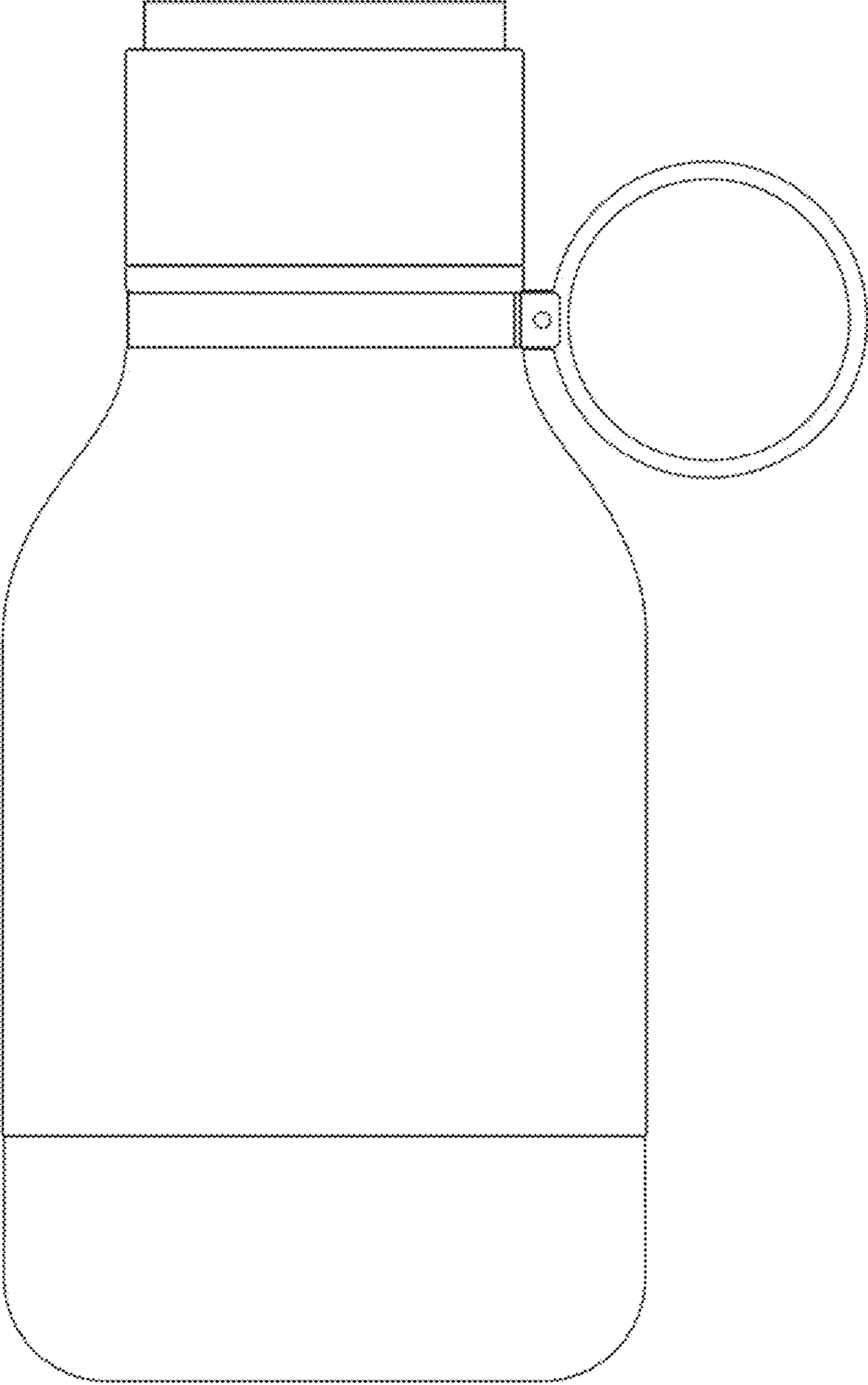


Fig. 1

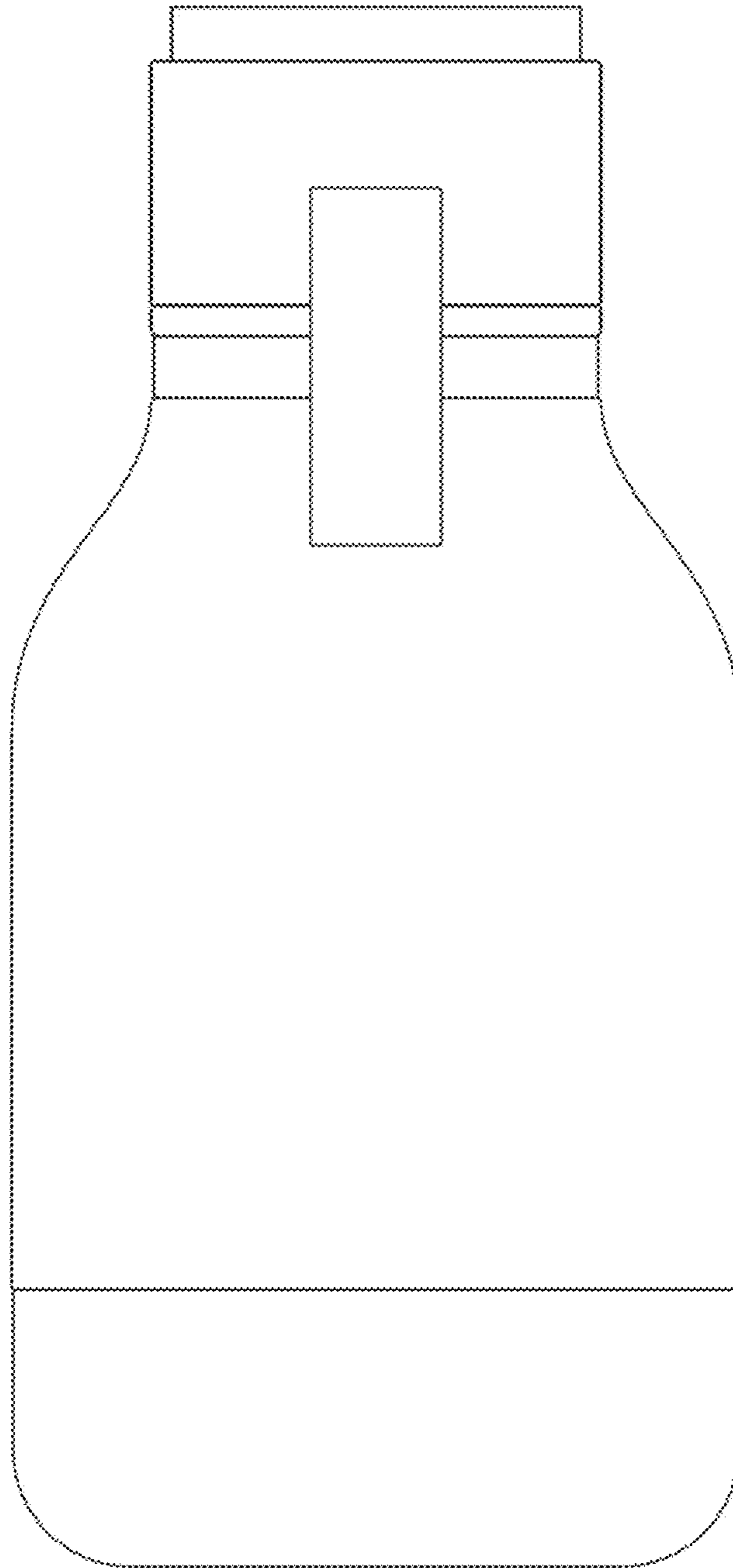


Fig.2



Fig.3

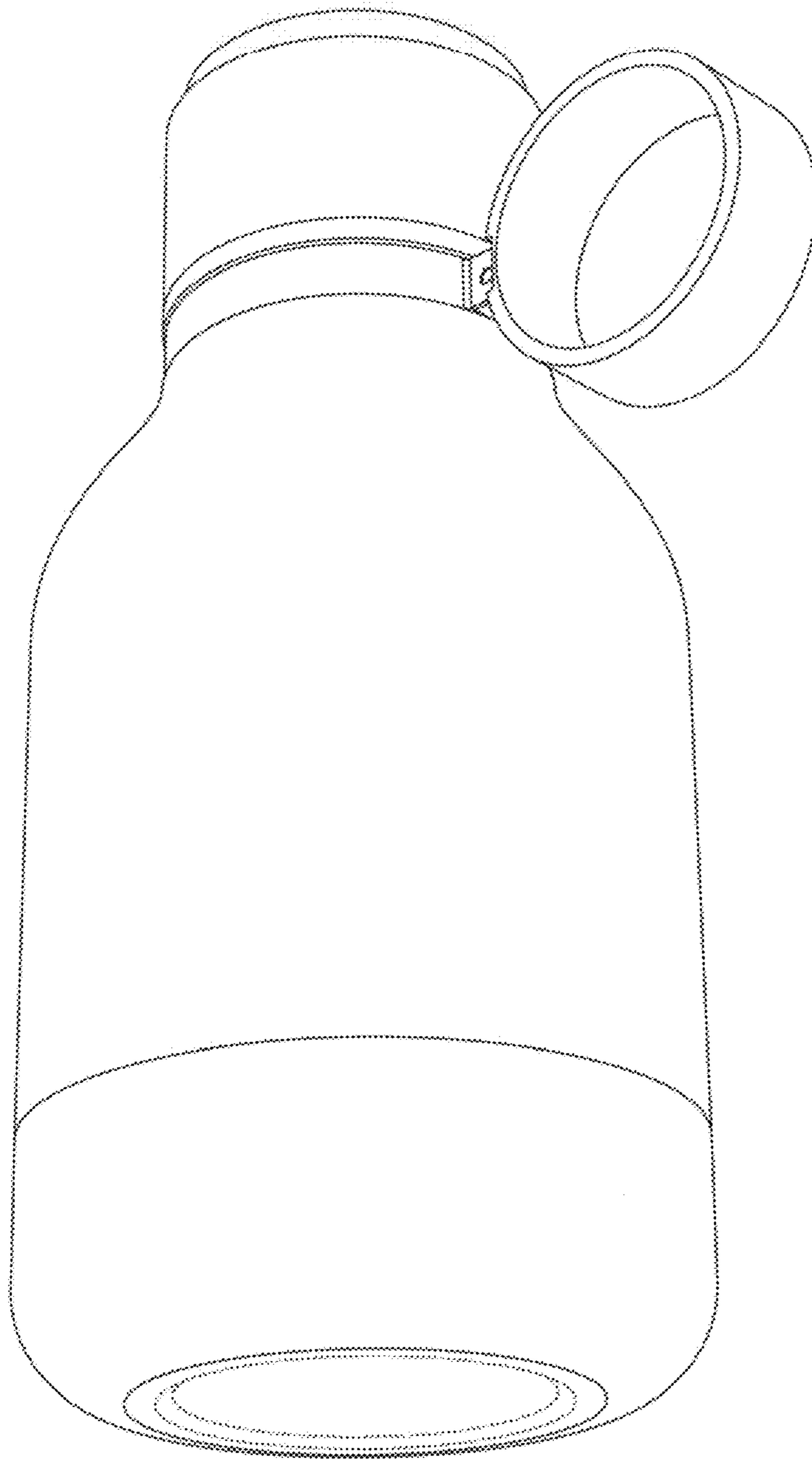


Fig.4

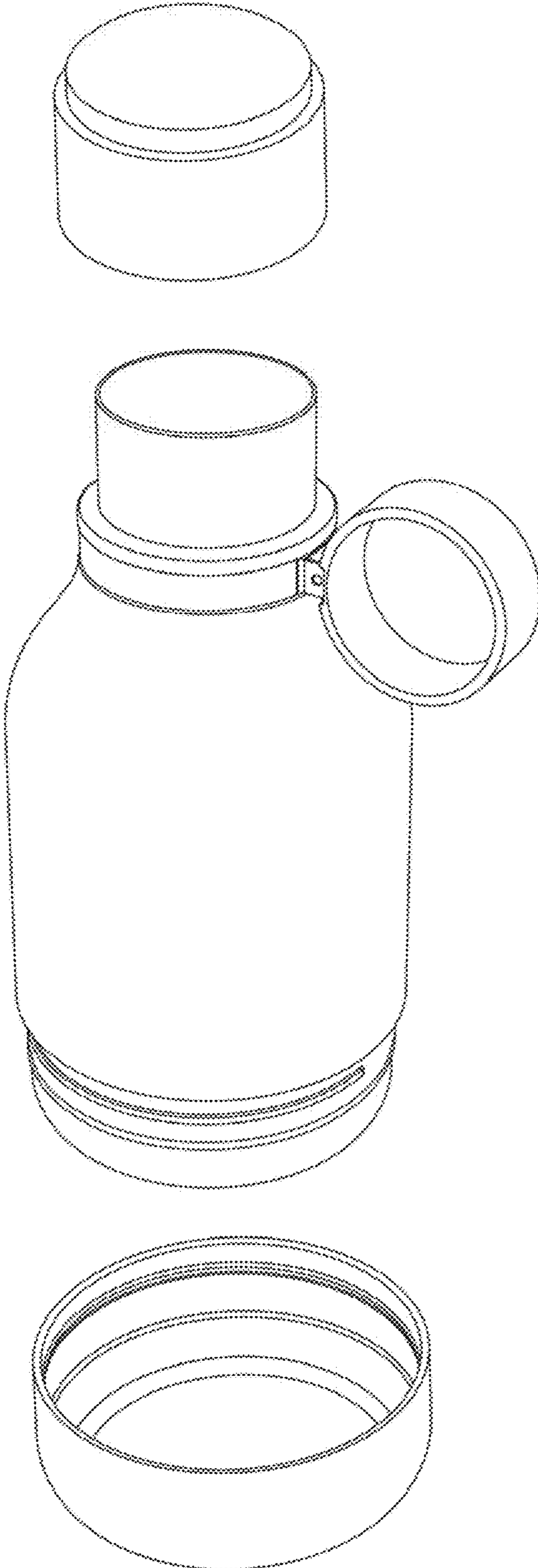


Fig.5

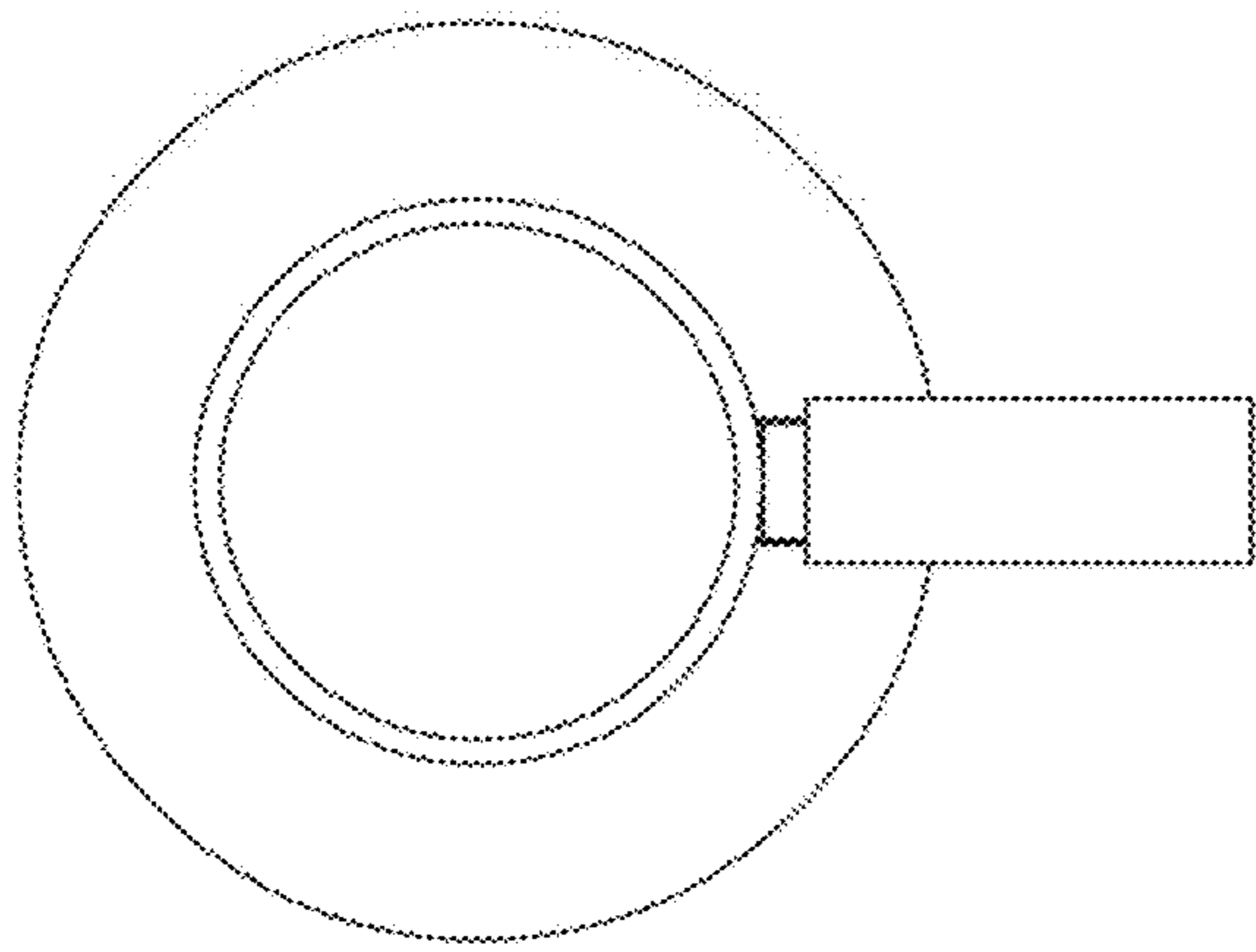


Fig. 6

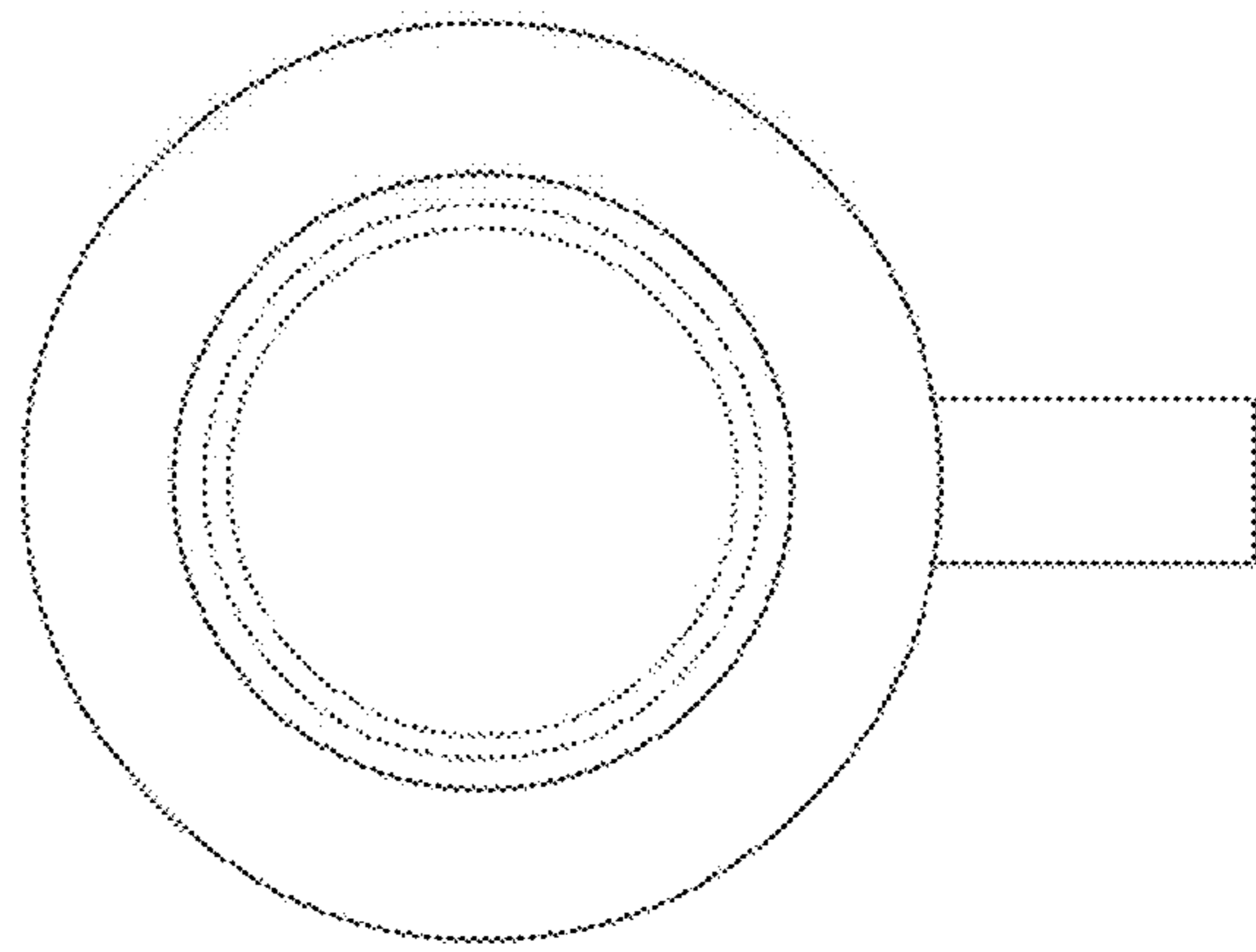


Fig. 7