



US00D945081S

(12) **United States Design Patent**
Yang et al.

(10) **Patent No.:** **US D945,081 S**
(45) **Date of Patent:** **** Mar. 1, 2022**

(54) **AUTOMATIC PET FEEDER**

A01K 5/0258; A01K 5/0142; A01K
5/0233; A01K 29/00; A01K 7/00; G01F
11/24; G01F 23/02;

(71) Applicant: **KIND PET PRODUCTS CO., LTD,**
Zhongshan (CN)

(Continued)

(72) Inventors: **Tianle Yang,** Zhongshan (CN); **Yibao
Zeng,** Zhongshan (CN)

(56) **References Cited**

(**) Term: **15 Years**

U.S. PATENT DOCUMENTS

(21) Appl. No.: **29/743,303**

6,817,351 B2 * 11/2004 Keller F41B 3/04
124/6

(22) Filed: **Jul. 21, 2020**

D637,769 S * 5/2011 Weber D30/132
(Continued)

(30) **Foreign Application Priority Data**

Primary Examiner — Susan Moon Lee

Jan. 21, 2020 (CN) 202030042794.4

(51) **LOC (13) Cl.** **30-07**

(52) **U.S. Cl.**
USPC **D30/122**

(58) **Field of Classification Search**

USPC D30/121, 122, 129–133, 120, 119;
119/61.5, 51.01, 61.56, 51.03, 59, 62, 63,
119/51.5, 57.8, 74, 61.54, 61.55, 53, 53.5,
119/75, 56.2, 51.02, 51.11, 51.12, 57.1,
119/52.1, 515; 312/204; 248/151, 188;
108/156, 153.1–157; 220/23.87, 630,
220/737, 743, 9.4, 495.01, 574, 212, 255,
220/23.83; 206/515; D7/586, 543,
D7/550.1, 587, 505, 584, 545, 500,
D7/553.1–553.8, 546, 555, 556, 504, 565,
D7/562, 602, 605, 312, 313, 320, 307,
D7/306, 309, 354, 311, 399, 397, 323,
D7/332, 331, 347, 346, 322, 318, 317,
D7/316, 619.1; D9/429; 43/109;
D22/122; 99/430, DIG. 15, 280, 285,
99/312; 222/209, 131, 363, 349, 517,
222/153.13, 401, 1, 146.5, 23, 54, 64, 51,
222/156, 399, 400.8; 219/438, 439, 441,
219/385, 386, 402, 407; 210/94, 184,
210/474, 477

CPC A01K 5/02; A01K 5/0225; A01K 5/0114;
A01K 5/025; A01K 5/0266; A01K
5/0275; A01K 5/0283; A01K 5/0291;

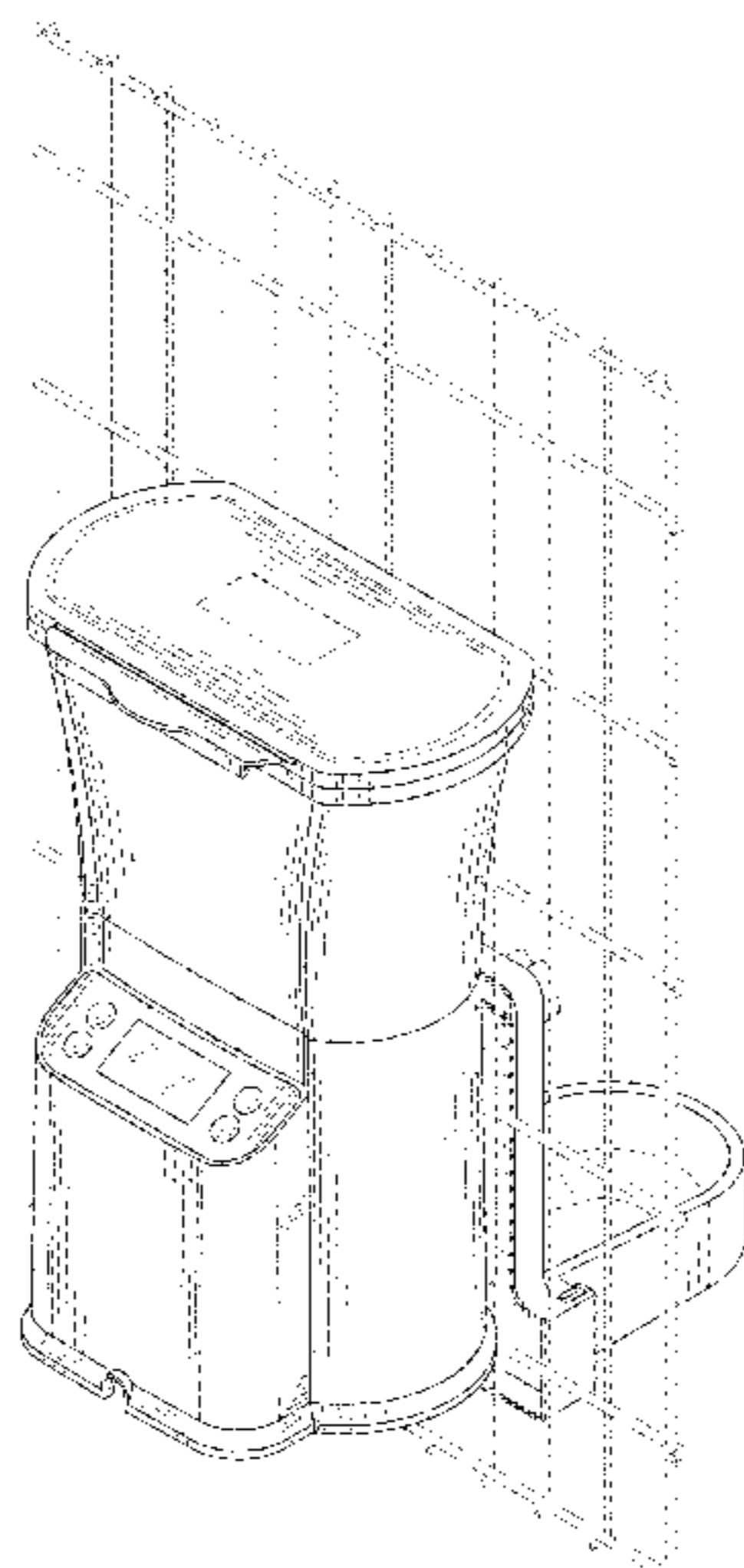
(57) **CLAIM**

The ornamental design for an automatic pet feeder, as shown
and described.

DESCRIPTION

FIG. 1 is a front and top perspective view of an automatic
pet feeder, showing an automatic pet feeder body connected
with a tray by a connector;
FIG. 2 is a rear and bottom perspective view thereof;
FIG. 3 is a front elevational view thereof;
FIG. 4 is a rear elevational view thereof;
FIG. 5 is a left side elevational view thereof;
FIG. 6 is a right side elevational view thereof;
FIG. 7 is a top plan view thereof;
FIG. 8 is a bottom plan view thereof;
FIG. 9 is an exploded view thereof;
FIG. 10 is a perspective view thereof, showing the automatic
pet feeder installed on a pet cage;
FIG. 11 is a front and top perspective view showing the
automatic pet feeder body only installed with the tray;
FIG. 12 is a front and bottom perspective view thereof; and,
FIG. 13 is a rear and top perspective view thereof.
The broken lines in the figures illustrate portions of the
article that form no part of the claimed design.

1 Claim, 13 Drawing Sheets



(58) **Field of Classification Search**

CPC B67D 1/0425; B67D 1/04; B67D 1/00;
 B67D 1/02; B67D 1/0871; B67D 1/0802;
 A47J 41/0033; A47J 41/005; A47J
 41/0088; A47J 41/0094; A47J 31/04;
 A47J 31/053; B05B 11/00; B05B
 11/0002; B05B 11/0005; B05B 11/001;
 C02F 1/003; C02F 1/283; C02F 2307/02
 See application file for complete search history.

(56) **References Cited**

U.S. PATENT DOCUMENTS

8,166,922 B2 * 5/2012 Jalbert A01K 5/0142
 119/501
 8,701,595 B2 * 4/2014 Jin A01K 5/0291
 119/51.11
 9,137,967 B2 * 9/2015 Lathim A01K 5/0225
 D806,958 S * 1/2018 Maloney D30/122
 10,098,321 B2 * 10/2018 McKay A01K 7/00
 D835,356 S * 12/2018 Xie D30/122
 D836,850 S * 12/2018 Li D30/122
 D843,665 S * 3/2019 Zeng D30/122
 D844,258 S * 3/2019 Xu D30/122
 D876,022 S * 2/2020 Hua D30/122
 D885,685 S * 5/2020 Chen D30/122
 D885,686 S * 5/2020 Chen D30/122
 D891,004 S * 7/2020 Park D30/122
 D893,109 S * 8/2020 Zeng D30/122

D897,609 S * 9/2020 Loiseau D30/122
 D897,610 S * 9/2020 Baxter D30/122
 D907,305 S * 1/2021 Wang D30/122
 10,912,279 B2 * 2/2021 Chen A01K 5/0275
 D912,909 S * 3/2021 Wu D30/122
 D920,592 S * 5/2021 Tang D30/122
 2006/0196433 A1 * 9/2006 Ness A01K 5/0114
 119/52.1
 2011/0146580 A1 * 6/2011 Jalbert A01K 7/02
 119/51.02
 2013/0092090 A1 * 4/2013 McCallum A01K 1/0356
 119/74
 2013/0213308 A1 * 8/2013 Koskey, Jr. A01K 7/027
 119/74
 2013/0298839 A1 * 11/2013 Richards C02F 1/003
 119/75
 2013/0333622 A1 * 12/2013 Jin A01K 5/0291
 119/51.01
 2015/0068463 A1 * 3/2015 Worry A01K 5/0291
 119/57.1
 2015/0143750 A1 * 5/2015 Jalbert A01K 5/0291
 49/25
 2015/0145644 A1 * 5/2015 Jalbert A01K 5/0114
 340/5.61
 2016/0286755 A1 * 10/2016 Feng A01K 5/0291
 2017/0099804 A1 * 4/2017 Chang H04Q 9/00
 2019/0029222 A1 * 1/2019 Anderton A01K 5/0233
 2019/0059322 A1 * 2/2019 Xu A01K 5/0225
 2020/0100459 A1 * 4/2020 Chen A01K 5/0225

* cited by examiner

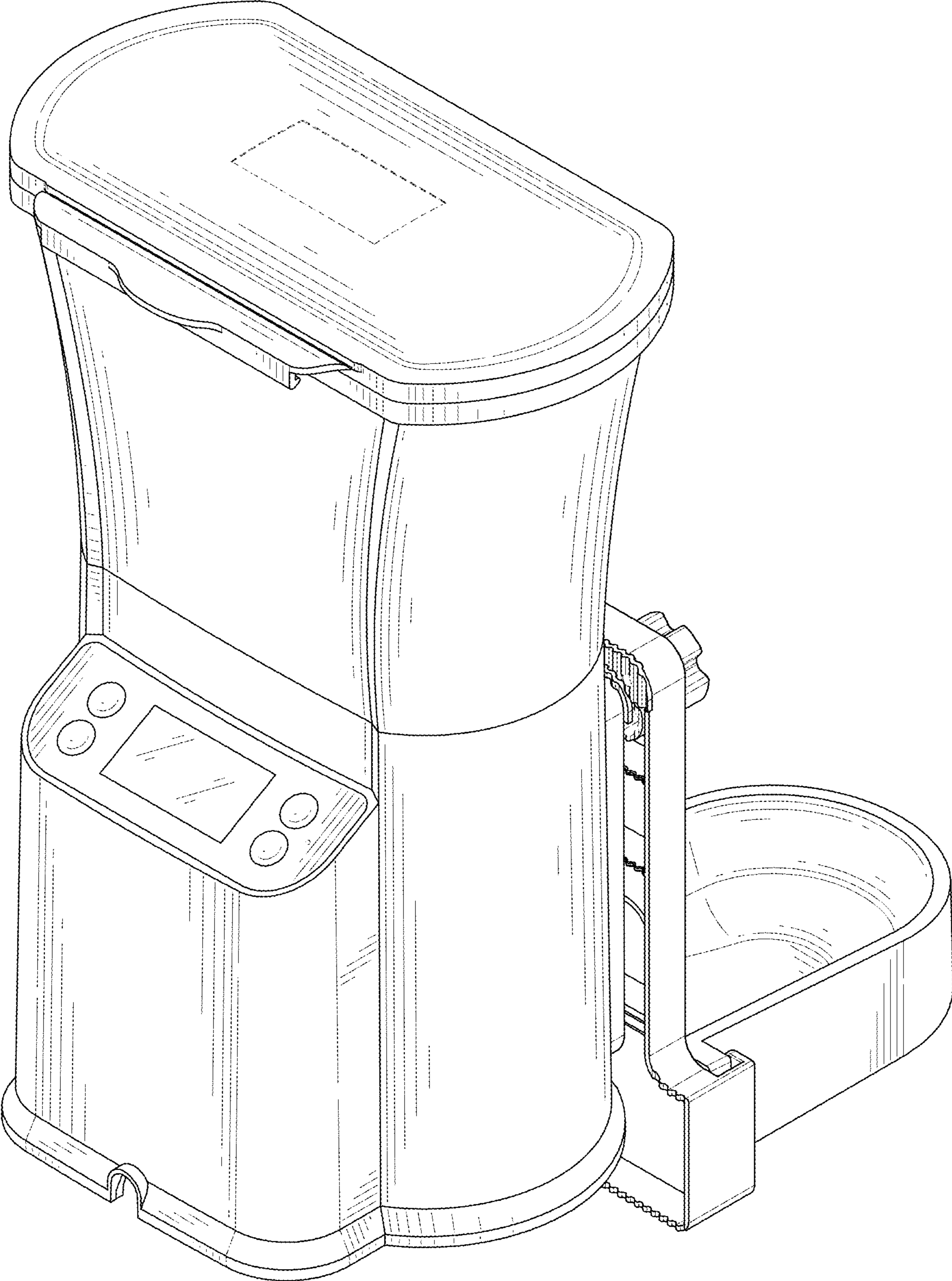


FIG. 1

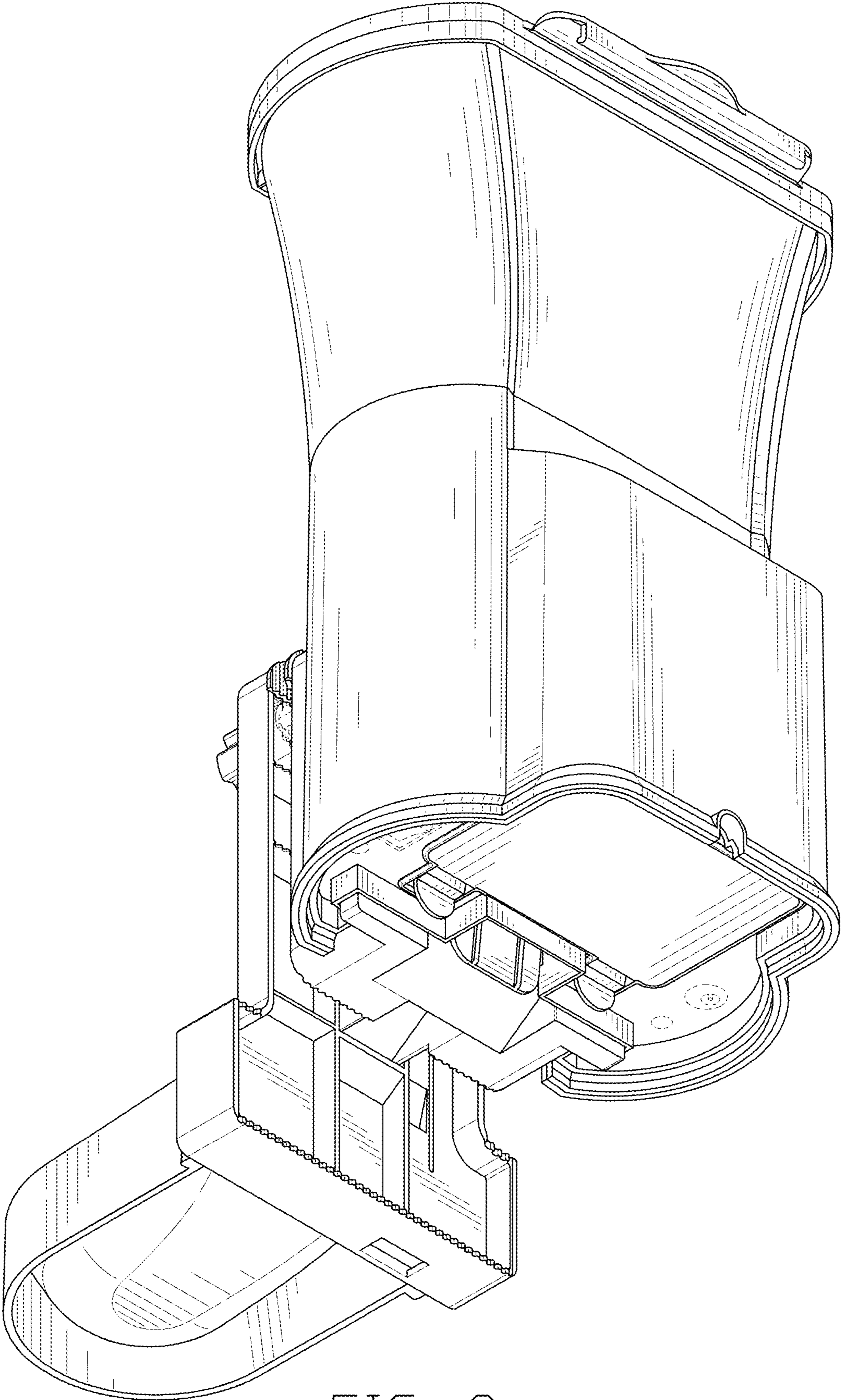


FIG. 2

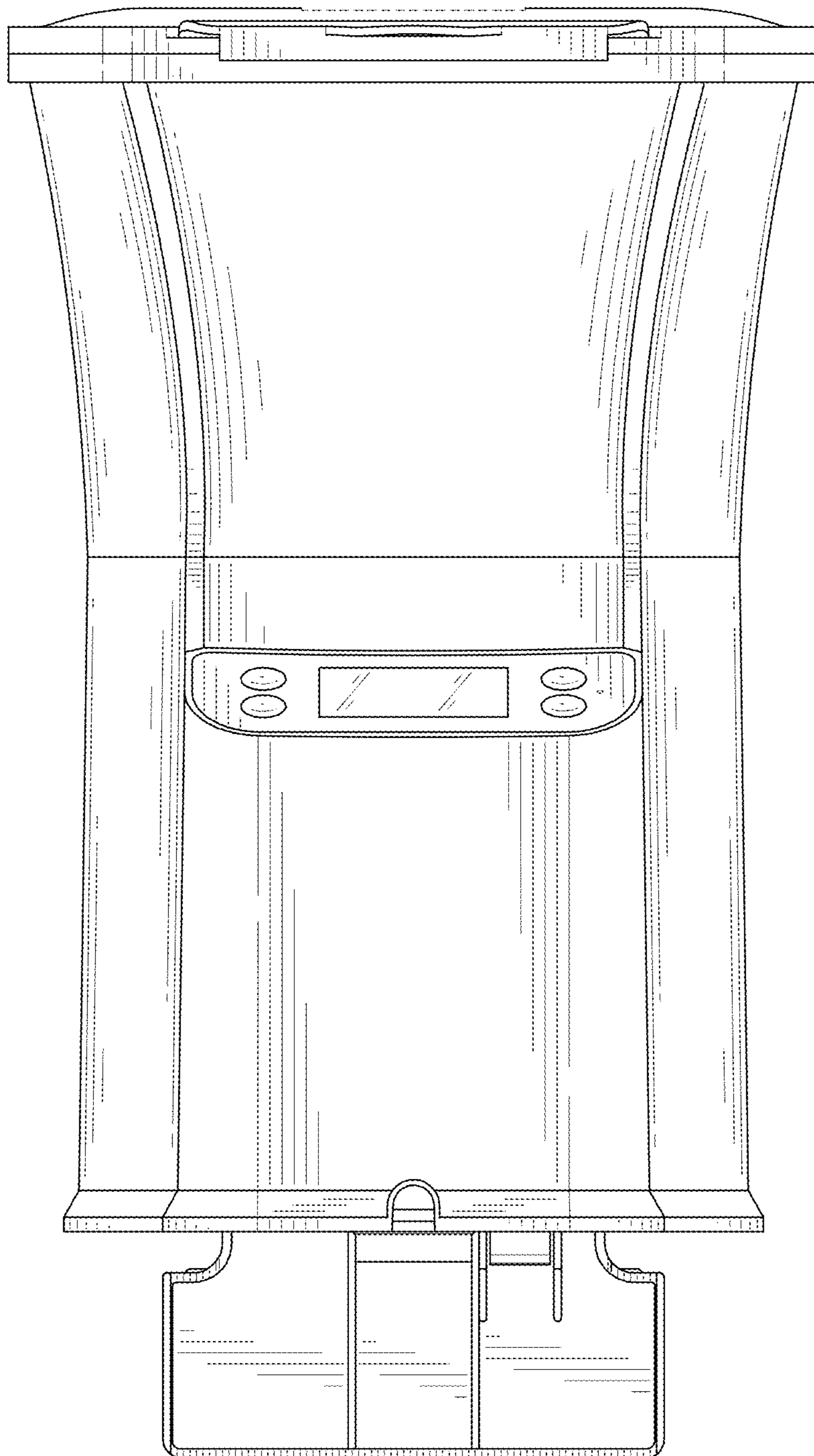


FIG. 3

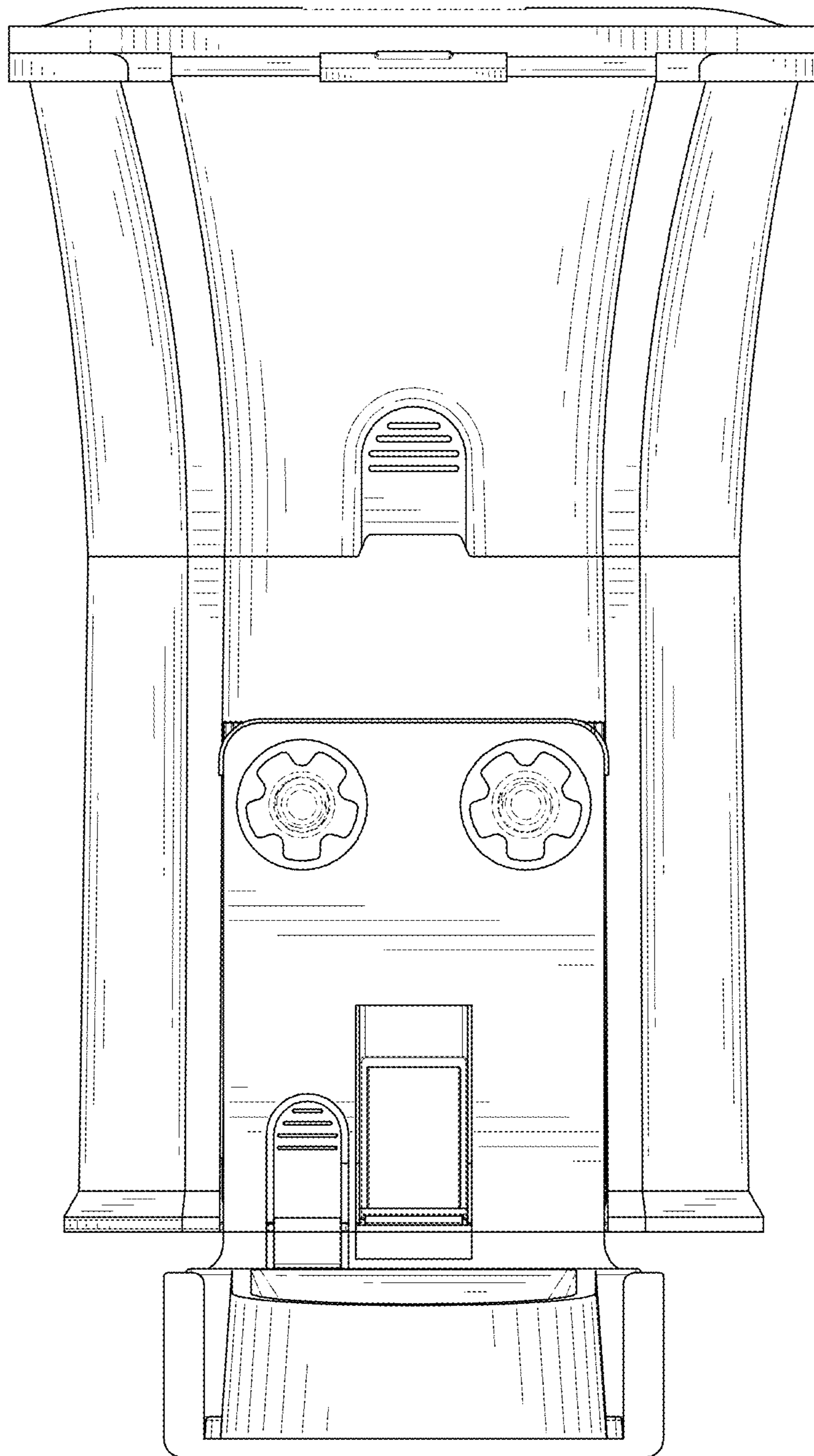


FIG. 4

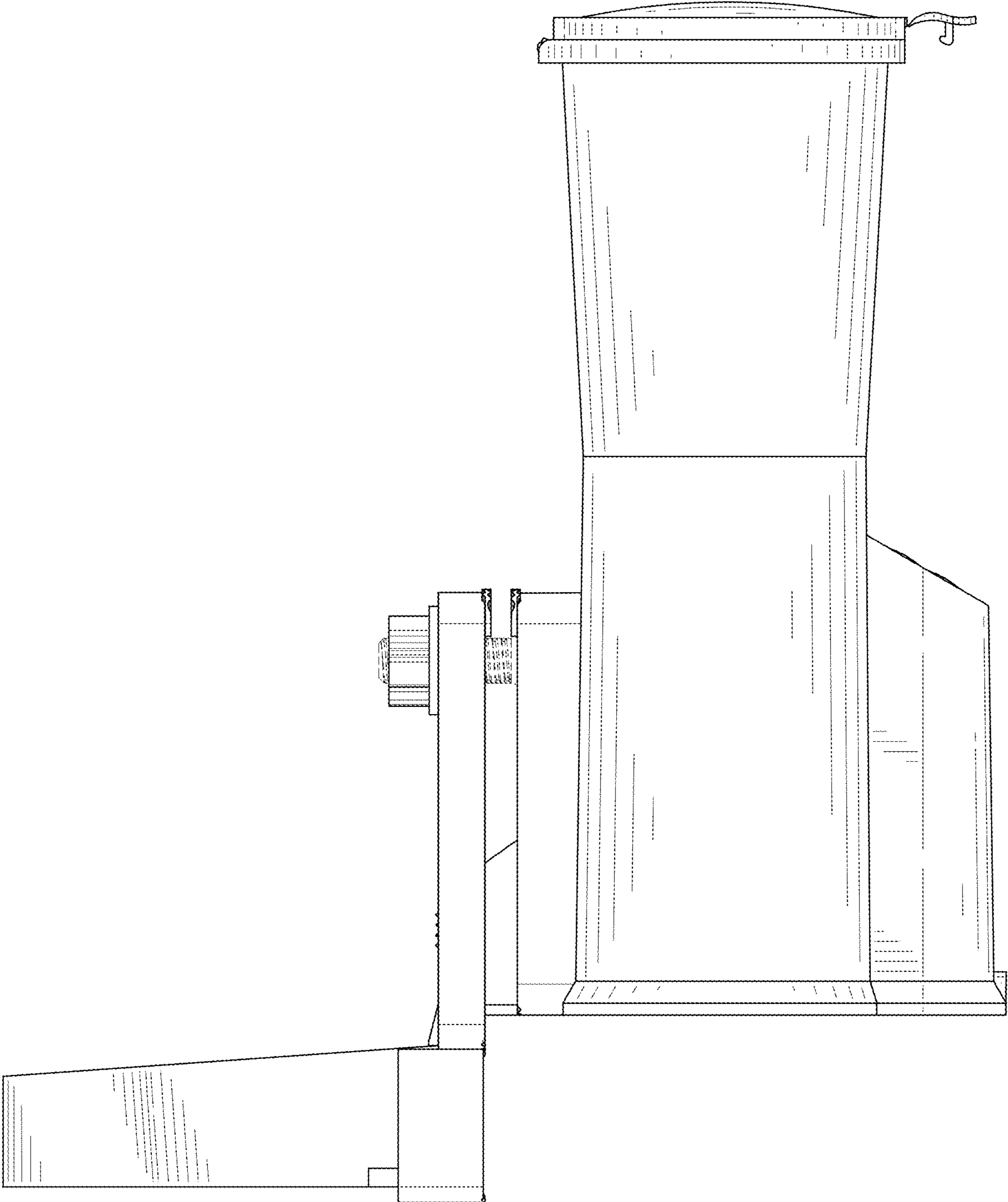


FIG. 5

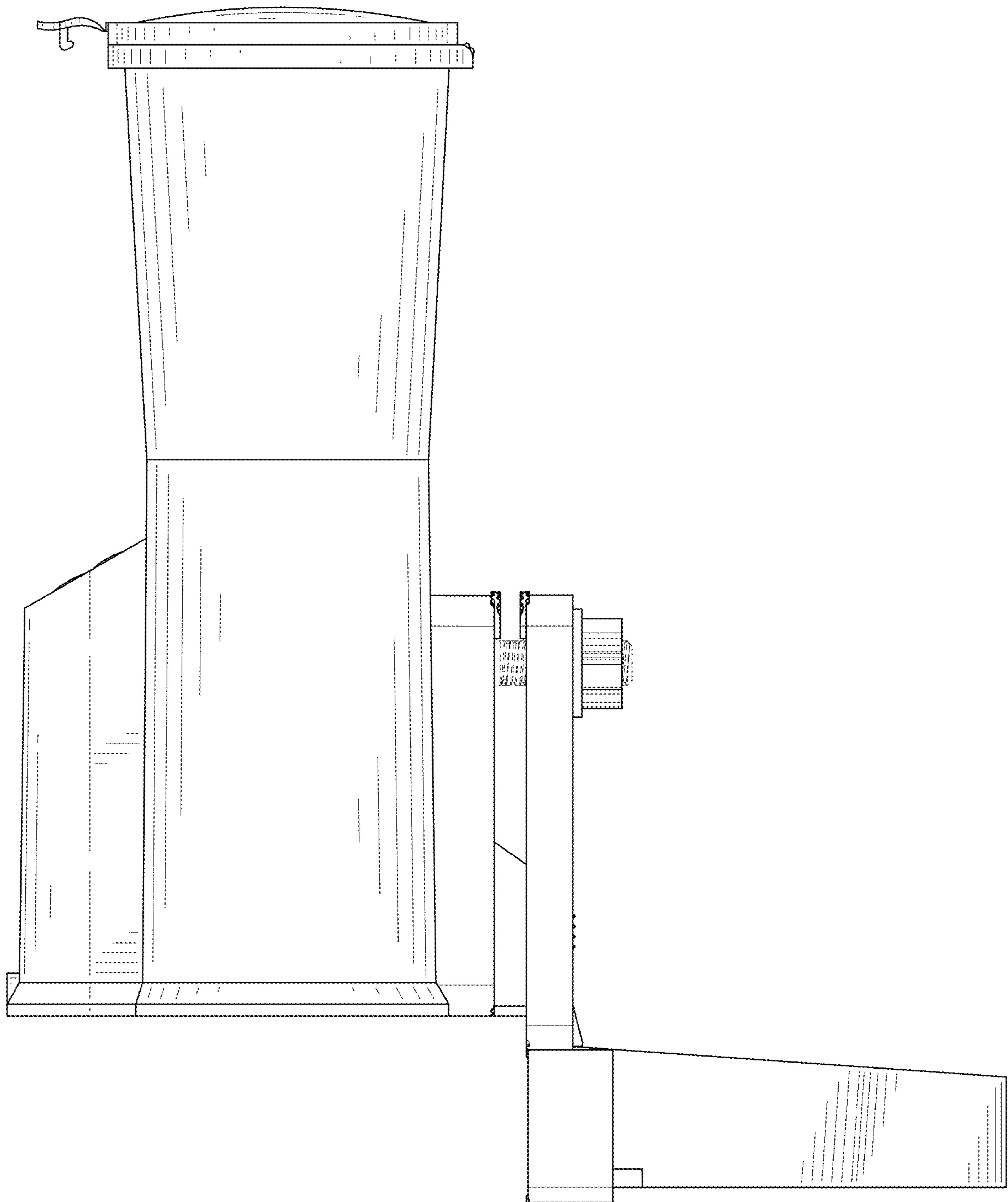


FIG. 6

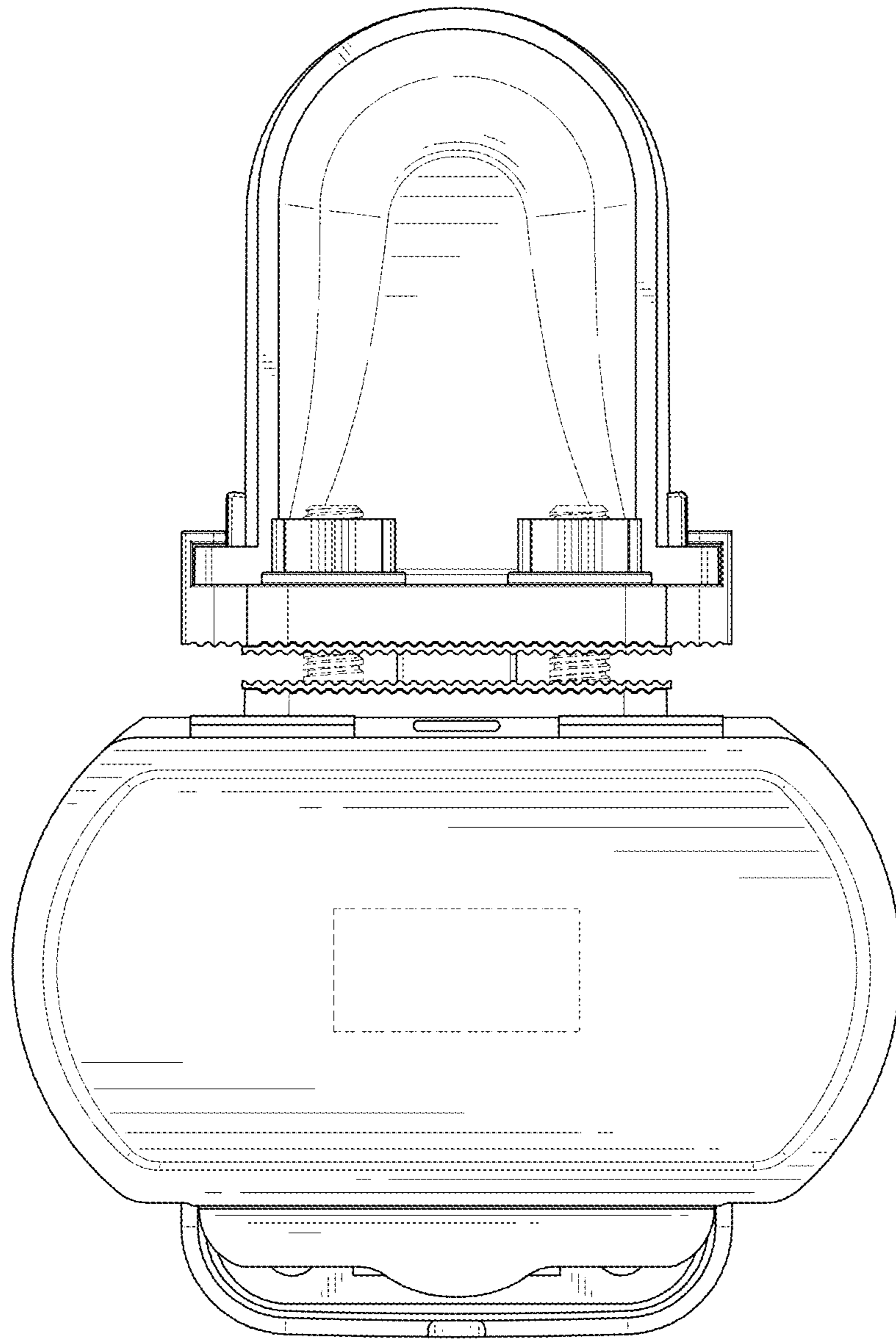


FIG. 7

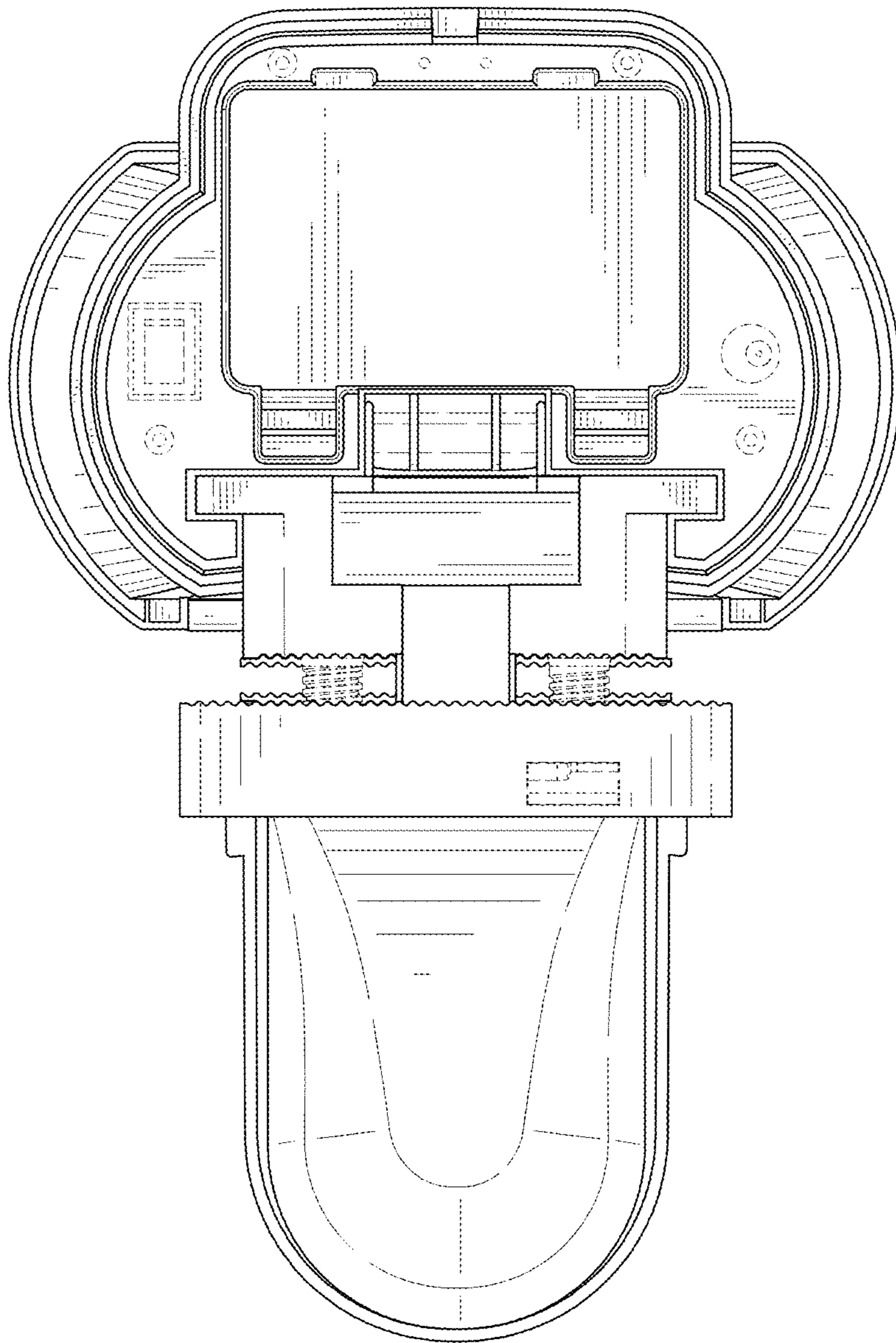


FIG. 8

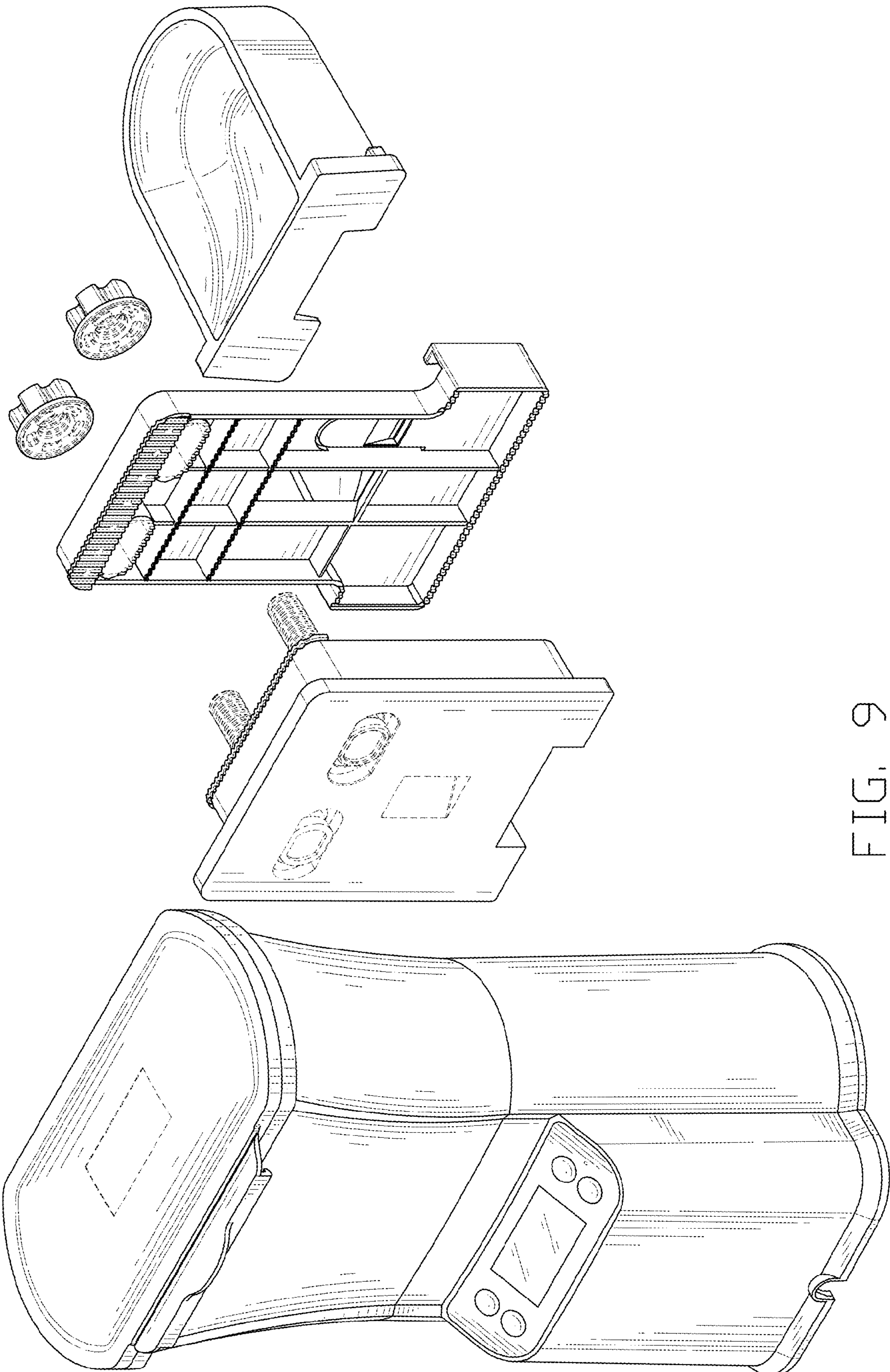


FIG. 9

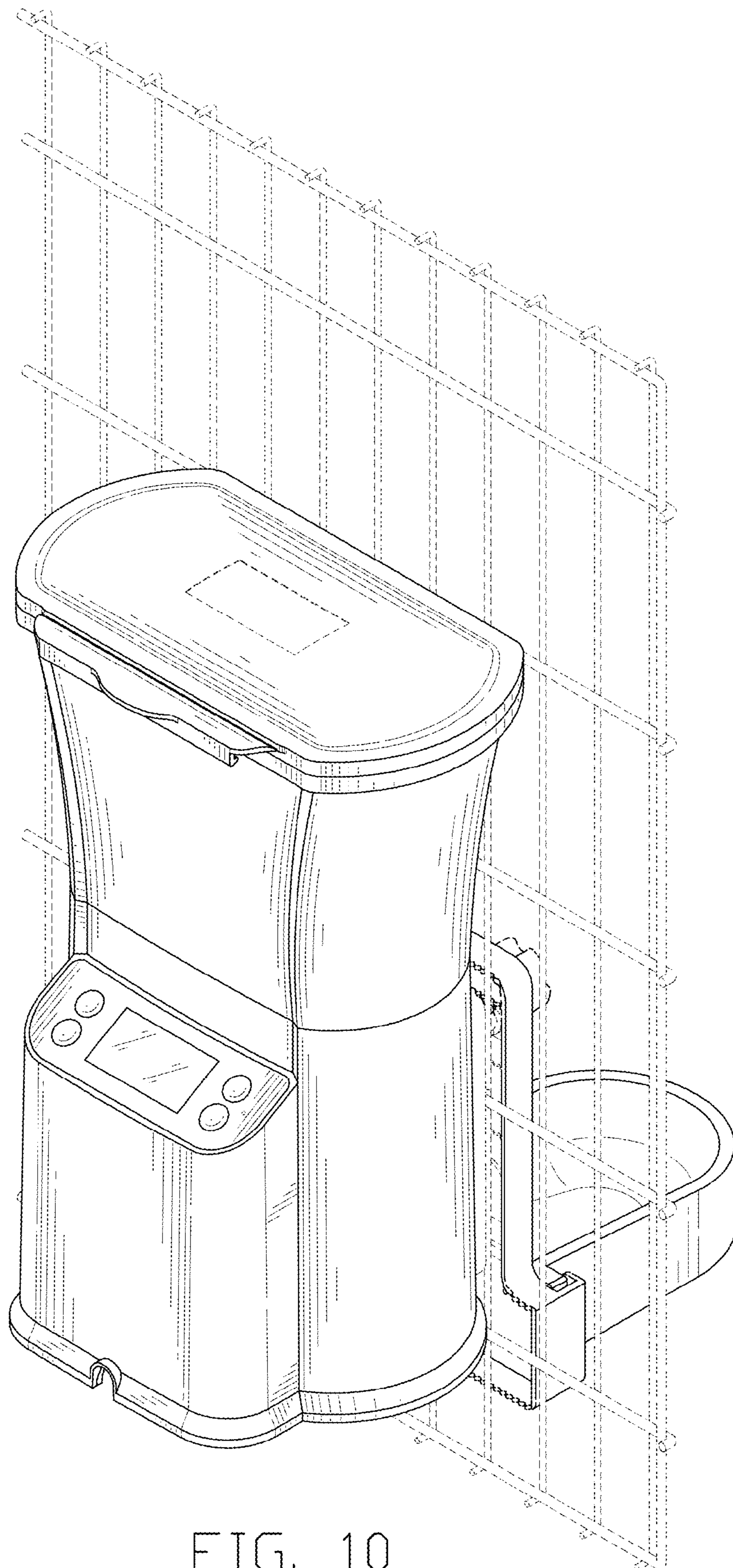


FIG. 10

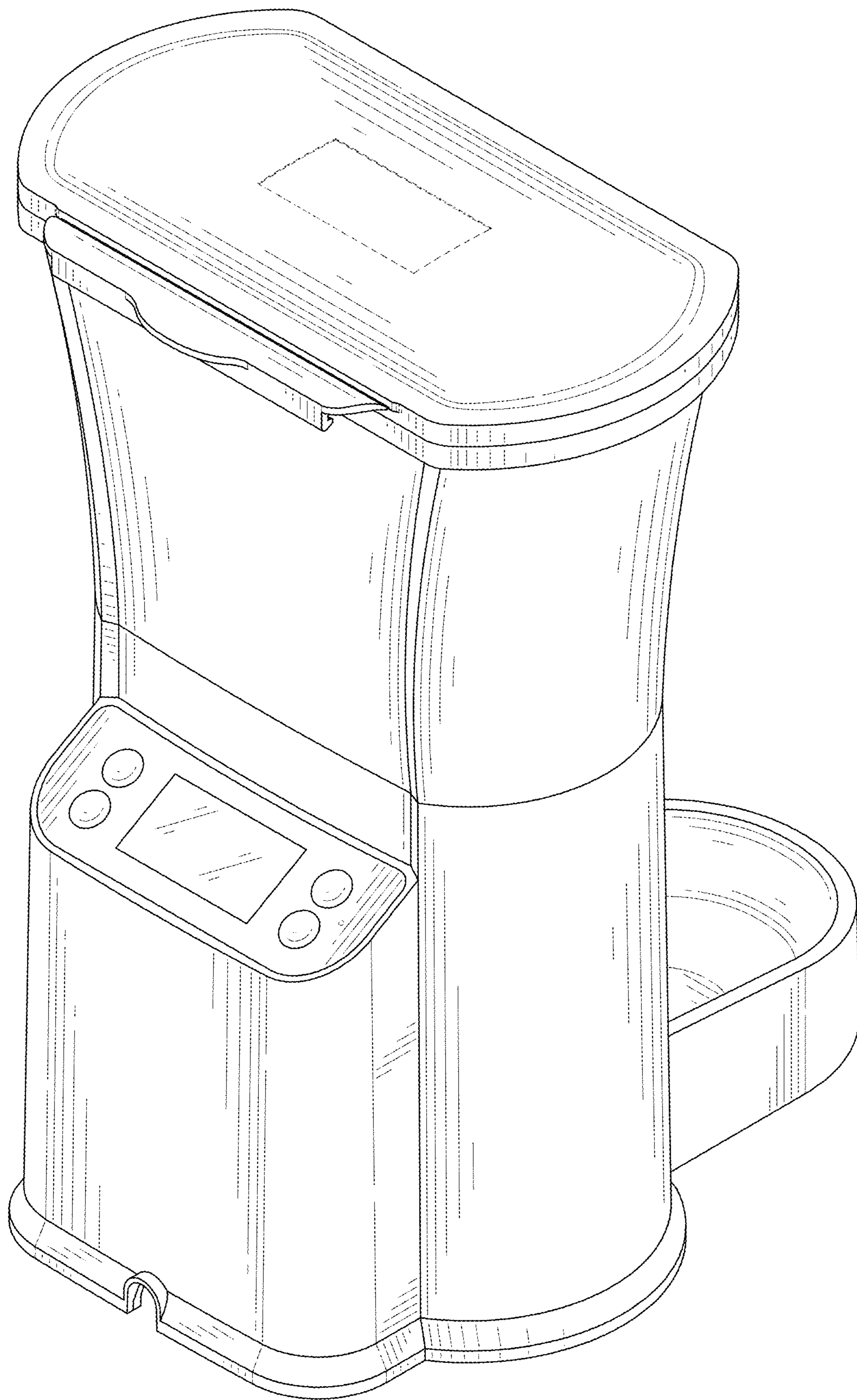


FIG. 11

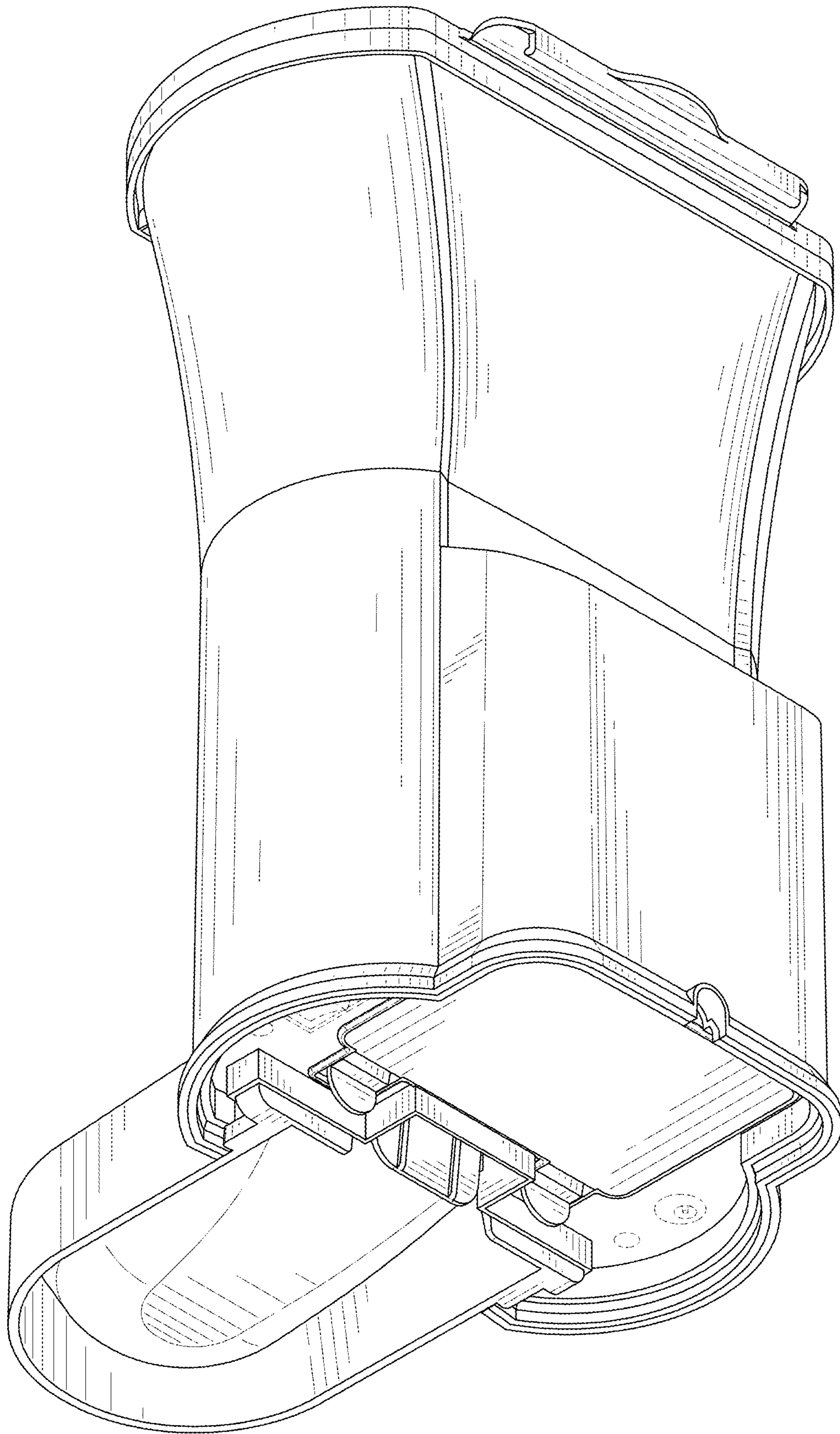


FIG. 12

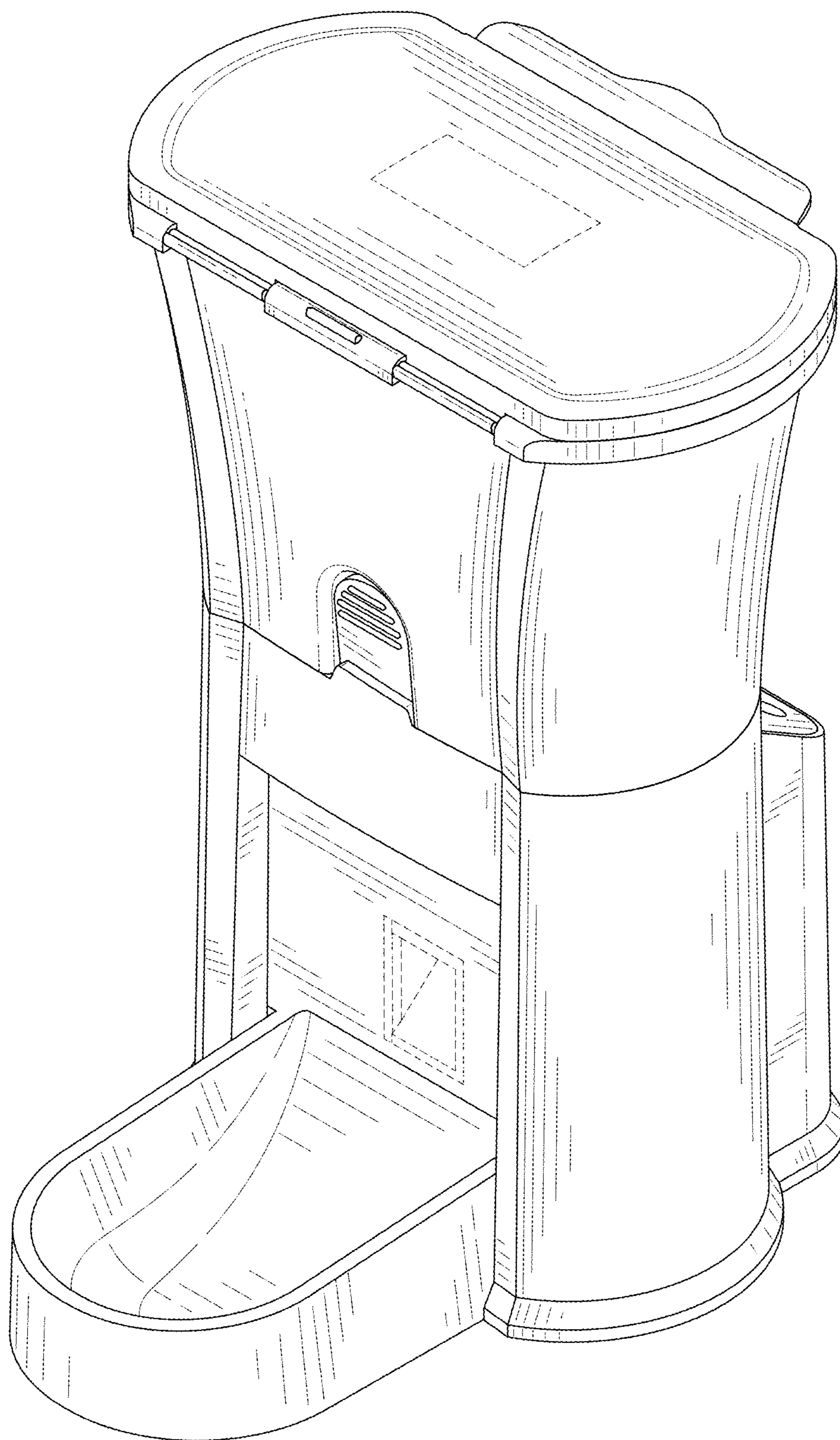


FIG. 13