



US00D945080S

(12) **United States Design Patent**
Maile et al.

(10) **Patent No.:** **US D945,080 S**
(45) **Date of Patent:** **** Mar. 1, 2022**

(54) **FISH FEEDING APPARATUS**

- (71) Applicant: **ALGAEBARN, LLC**, Commerce City, CO (US)
- (72) Inventors: **Alex John Maile**, Avon, MN (US);
Sean Lance Tadjeran, Commerce City, CO (US)
- (73) Assignee: **ALGAEBARN, LLC**, Commerce City, CO (US)
- (**) Term: **15 Years**
- (21) Appl. No.: **29/744,129**
- (22) Filed: **Jul. 27, 2020**

Related U.S. Application Data

- (63) Continuation of application No. 16/773,381, filed on Jan. 27, 2020.
- (51) **LOC (13) Cl.** **30-03**
- (52) **U.S. Cl.**
USPC **D30/121; D30/106**
- (58) **Field of Classification Search**
USPC D30/106, 121, 131, 133, 108, 109, 199;
119/51.04, 6.7, 256, 702, 60, 65, 51.01,
(Continued)

(56) **References Cited**

U.S. PATENT DOCUMENTS

- 715,571 A * 12/1902 Gillinder A01K 63/006
119/256
- 1,976,962 A * 10/1934 Pape A01K 61/85
119/51.04

(Continued)

FOREIGN PATENT DOCUMENTS

- DE 10-2004-032855 2/2006

OTHER PUBLICATIONS

Two Little Fishies Sea Veggie Clip, Jun. 2005, https://www.amazon.com/Two-Little-Fishies-Veggiemag-Seaveggie/dp/B0027JF514/ref=pd_lpo_4?pd_rd_i=B0027JF514&psc=1 (Year: 2005).*

(Continued)

Primary Examiner — Susan Moon Lee

(74) *Attorney, Agent, or Firm* — Greenberg Traurig, LLP

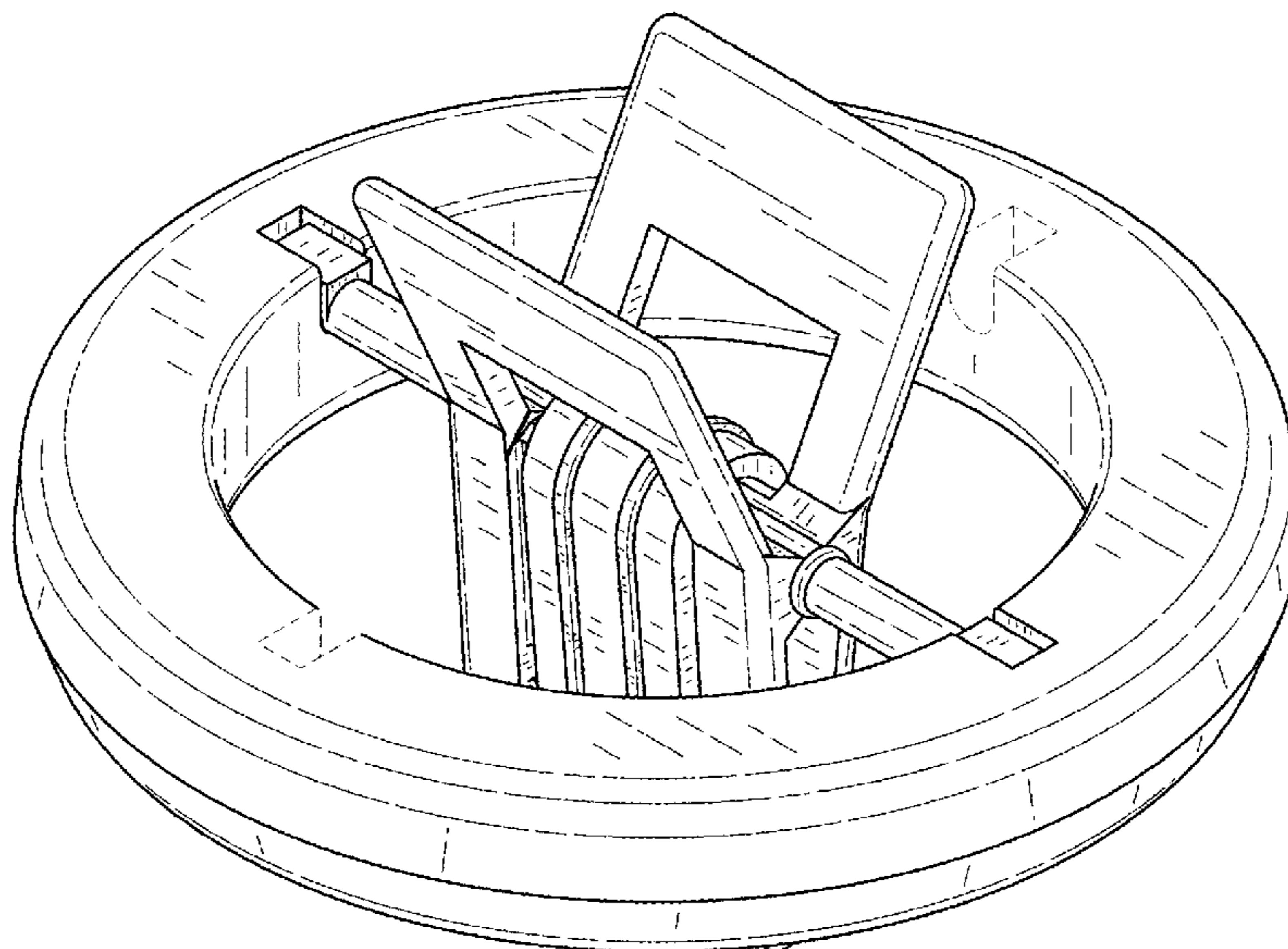
(57) **CLAIM**

The ornamental design for a fish feeding apparatus, as shown and described.

DESCRIPTION

FIG. 1 is a perspective view of a fish feeding apparatus. FIG. 2 is a front side view of the fish feeding apparatus of FIG. 1. FIG. 3 is a right side view of the fish feeding apparatus of FIG. 1. FIG. 4 is a top view of the fish feeding apparatus of FIG. 1. FIG. 5 is a bottom view of the fish feeding apparatus of FIG. 1. FIG. 6 is an exploded view of the fish feeding apparatus of FIG. 1. FIG. 7 is a perspective view of the clip component of the fish feeding apparatus, shown separately for clarity. FIG. 8 is a front side view of the clip of FIG. 7. FIG. 9 is a right side view of the clip of FIG. 7. FIG. 10 is a top view of the the clip of FIG. 7. FIG. 11 is a bottom view of the clip of FIG. 7; and, FIG. 12 is a right view of the clip of FIG. 7 in the open position. The broken lines in the figures show portions illustrating environmental structures that form no part of the claimed design.

1 Claim, 12 Drawing Sheets



(58) **Field of Classification Search**

USPC 119/61.1, 58, 59, 66, 67, 51.5, 68, 69;
 220/4.22, 480; 229/120, 120.1; D7/409,
 D7/601; 211/181.1; 414/24.5; D3/205,
 D3/301, 276, 290, 291, 900, 901;
 190/18 A, 100, 109, 107, 127, 900, 115;
 D22/121
 CPC A01K 61/85; A01K 61/80; Y02A 40/81
 See application file for complete search history.

7,699,277 B2 4/2010 Bagnall
 8,065,975 B2* 11/2011 Allis A01K 63/10
 119/264
 8,191,846 B2* 6/2012 Bresolin A01K 63/006
 248/309.4
 9,089,116 B2 7/2015 Tuan et al.
 10,405,525 B2 9/2019 Yim
 2007/0266954 A1 11/2007 Chapman
 2009/0250011 A1 10/2009 Biggs
 2013/0174786 A1 7/2013 Bagnall
 2018/0184690 A1 7/2018 Andrew

(56) **References Cited**

U.S. PATENT DOCUMENTS

2,711,714 A * 6/1955 Timeus A01K 61/85
 119/51.04
 2,761,422 A * 9/1956 Martin A01K 61/85
 119/51.04
 3,095,852 A * 7/1963 Goldman A01K 61/85
 119/51.04
 3,424,641 A * 1/1969 Separa A47G 7/07
 428/23
 3,512,505 A * 5/1970 Cross A01K 61/85
 119/51.04
 3,664,303 A 5/1972 Baensch
 3,939,802 A 2/1976 Neff
 3,993,028 A 11/1976 Baensch et al.
 5,257,596 A * 11/1993 Jones A01K 63/006
 119/253
 D348,753 S * 7/1994 Stojanovski D30/106
 5,778,824 A 7/1998 Musgrave et al.
 5,855,982 A * 1/1999 Wechsler A01K 63/006
 428/99
 6,070,554 A 6/2000 Wilson
 6,109,210 A 8/2000 Nasser
 6,474,266 B1 * 11/2002 Arnett A01G 9/12
 119/256

OTHER PUBLICATIONS

POPETPOP Aquarium Accessory feeder <https://www.amazon.com/POPETPOP-Seaweed-Suction-Aquarium-Accessories/dp/B07QS2FV9C> Apr. 2019 (Year: 2019).
 Floating Fish Food and Algae Clip, downloaded from the internet on May 1, 2020, at https://www.saltwateraquarium.com/floating-fish-food-algae-clip-zoo-med/?gclid=EAIaIQobChMIkZXMsIyT6QIVDdbACh0ZmgGEEAQYASABEgK3MPD_BwE, by Saltwater Aquarium.com, 1685 Fairfield Road, Suite C, Gettysburg, PA 17325, 2018.
 Fishuel Aquarium Feeding Ring Floating Rings Food Feeder, downloaded from the internet on May 1, 2020, at <https://www.amazon.com/Fischuel-Aquarium-Feeding-Floating-Suction/dp/B07X9B8WJ4>.
 International Search Report and Written Opinion, dated Jun. 3, 2021, from related International Patent App. No. PCT/US2021/014906.
 “POPETPOP Aquarium Feeder Cone—2pcs Bloodworm Feeder Cone Floating Fish Feeder, Fish Tank Feeding Cup Plastic Cone Basket”, retrieved from the internet Mar. 29, 2021 at URL+<https://www.amazon.com/POPETPOP-Aquarium-Cone-2pcs-Bloodworm-Floating/dp/B07SWHP43J>.

* cited by examiner

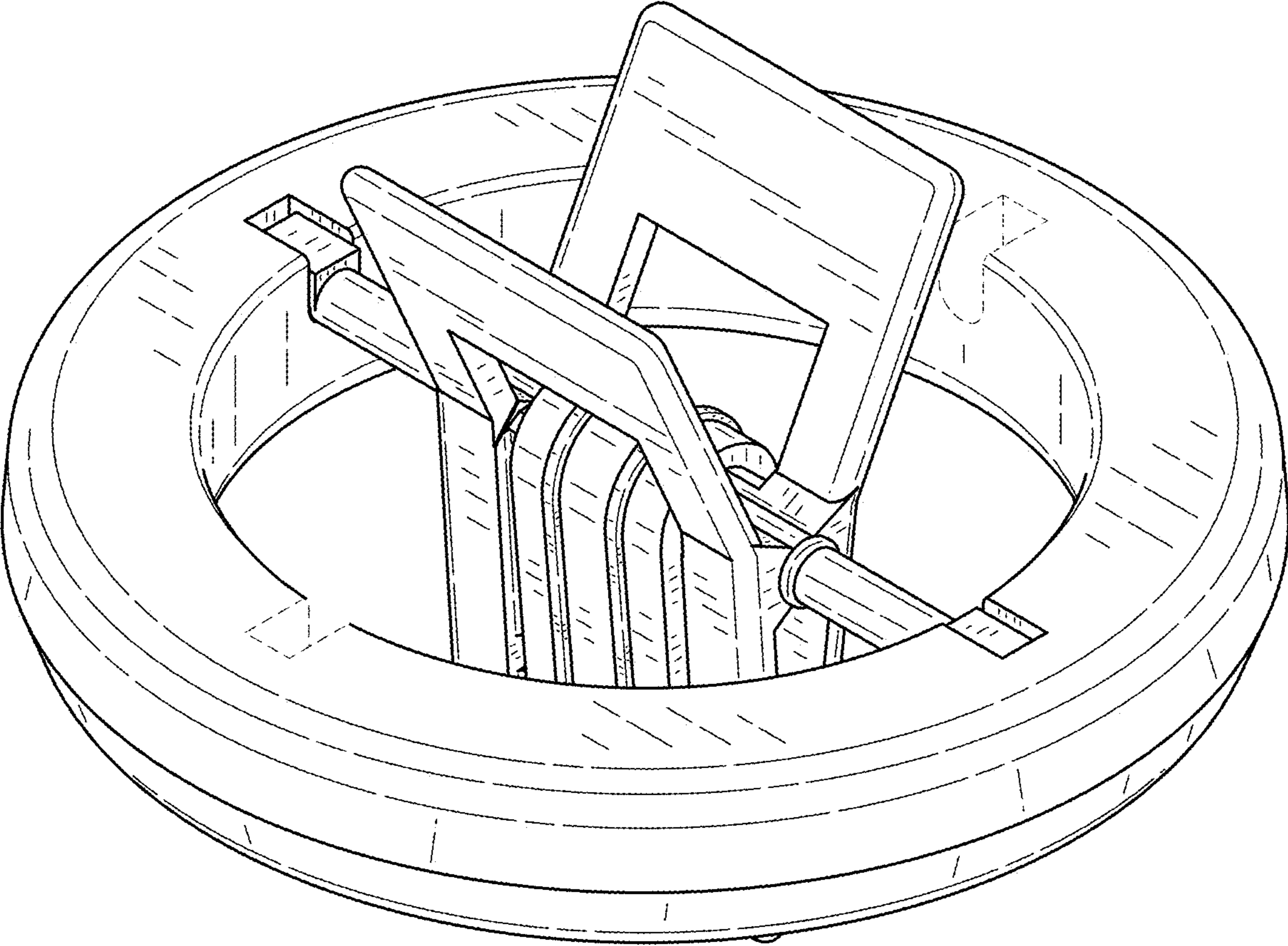


FIG.1

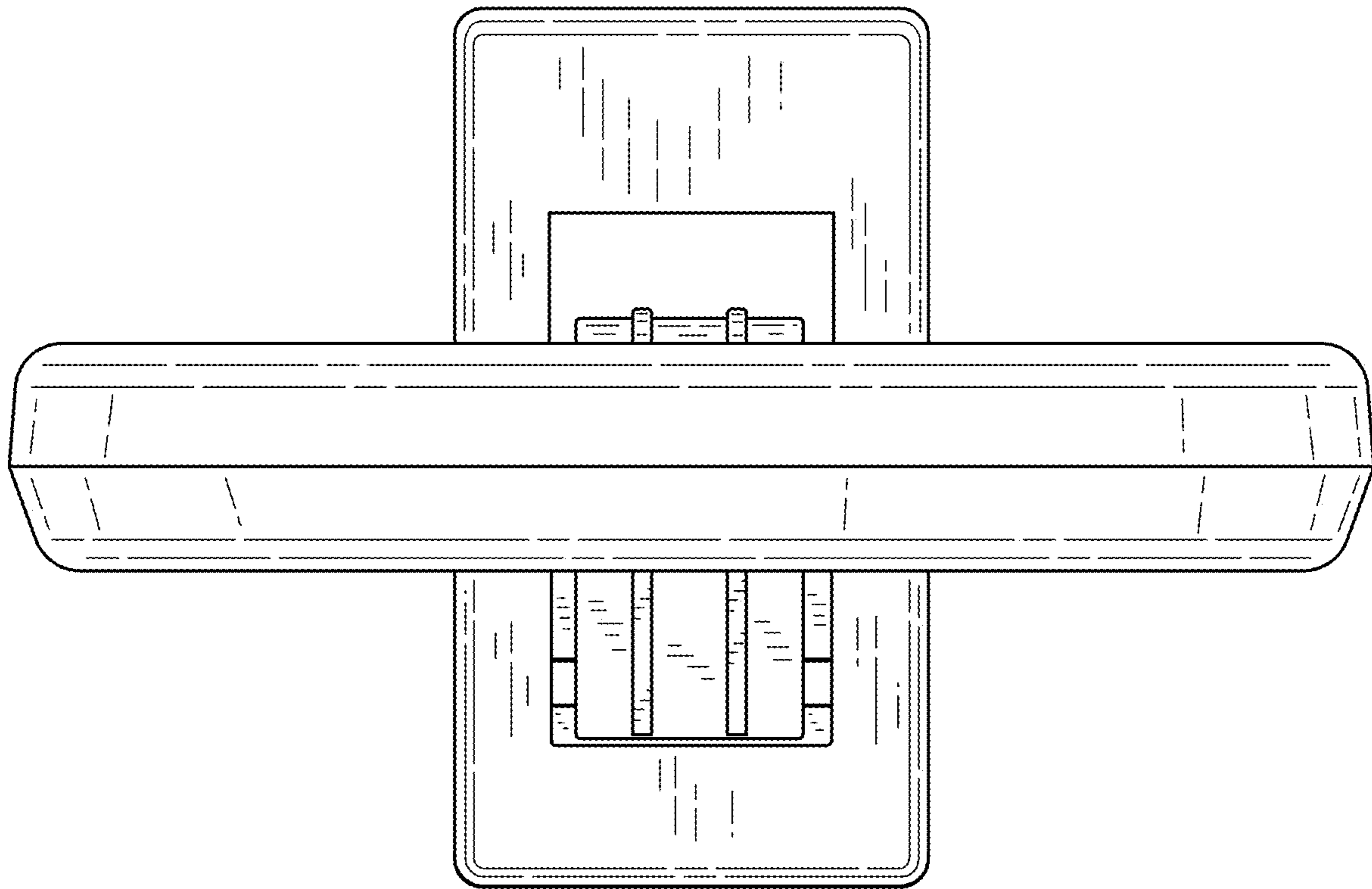


FIG.2

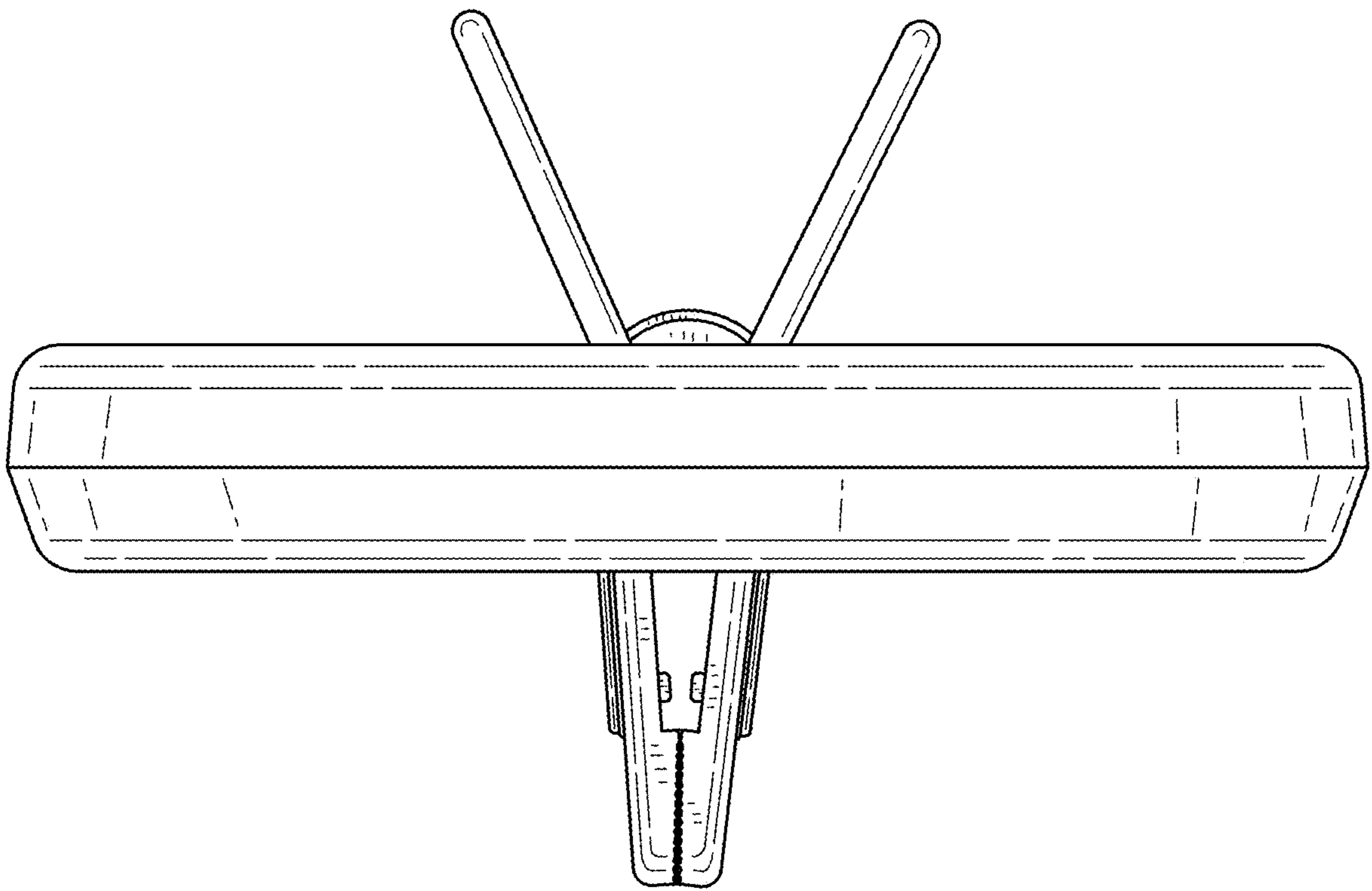


FIG.3

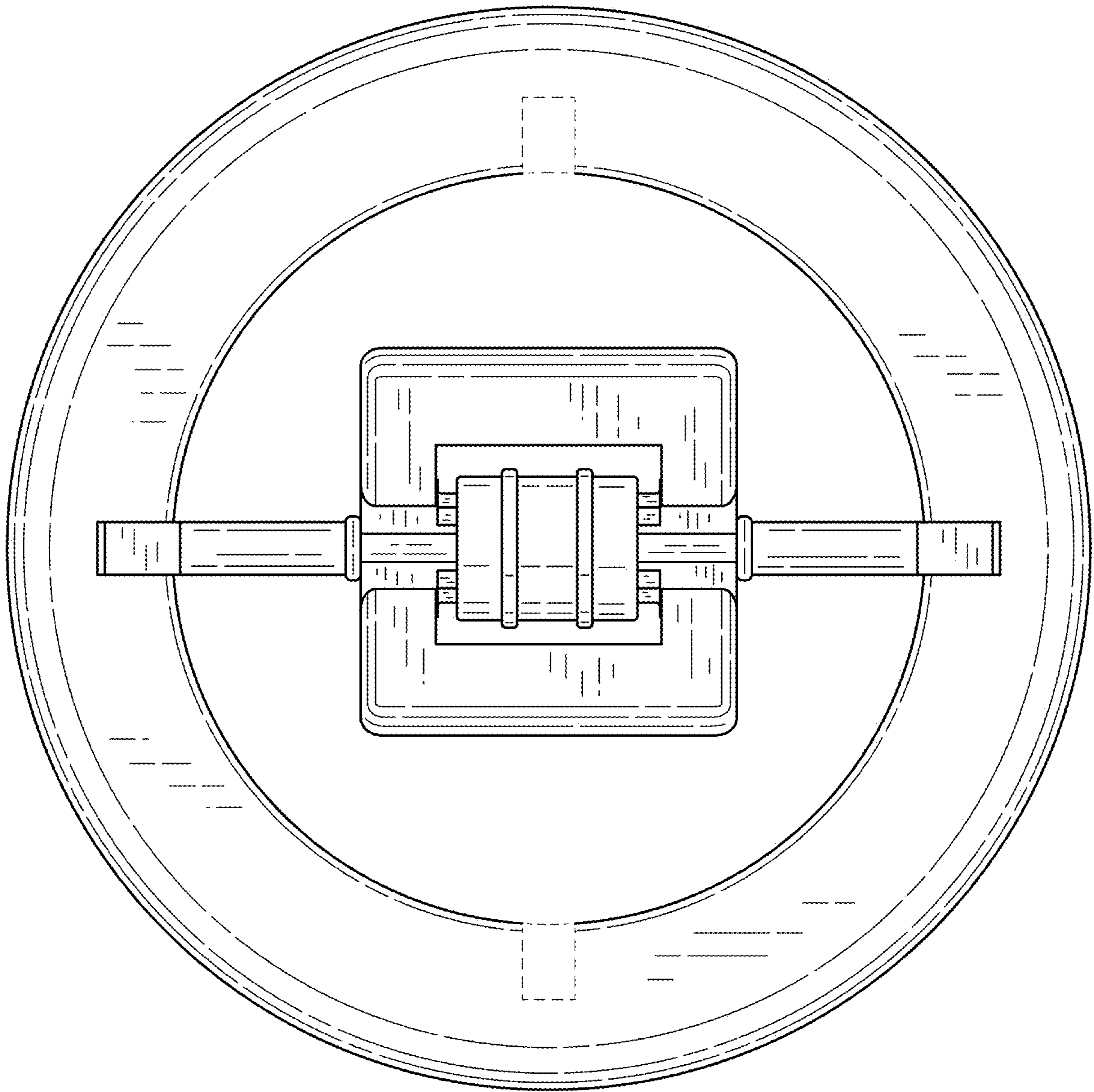


FIG.4

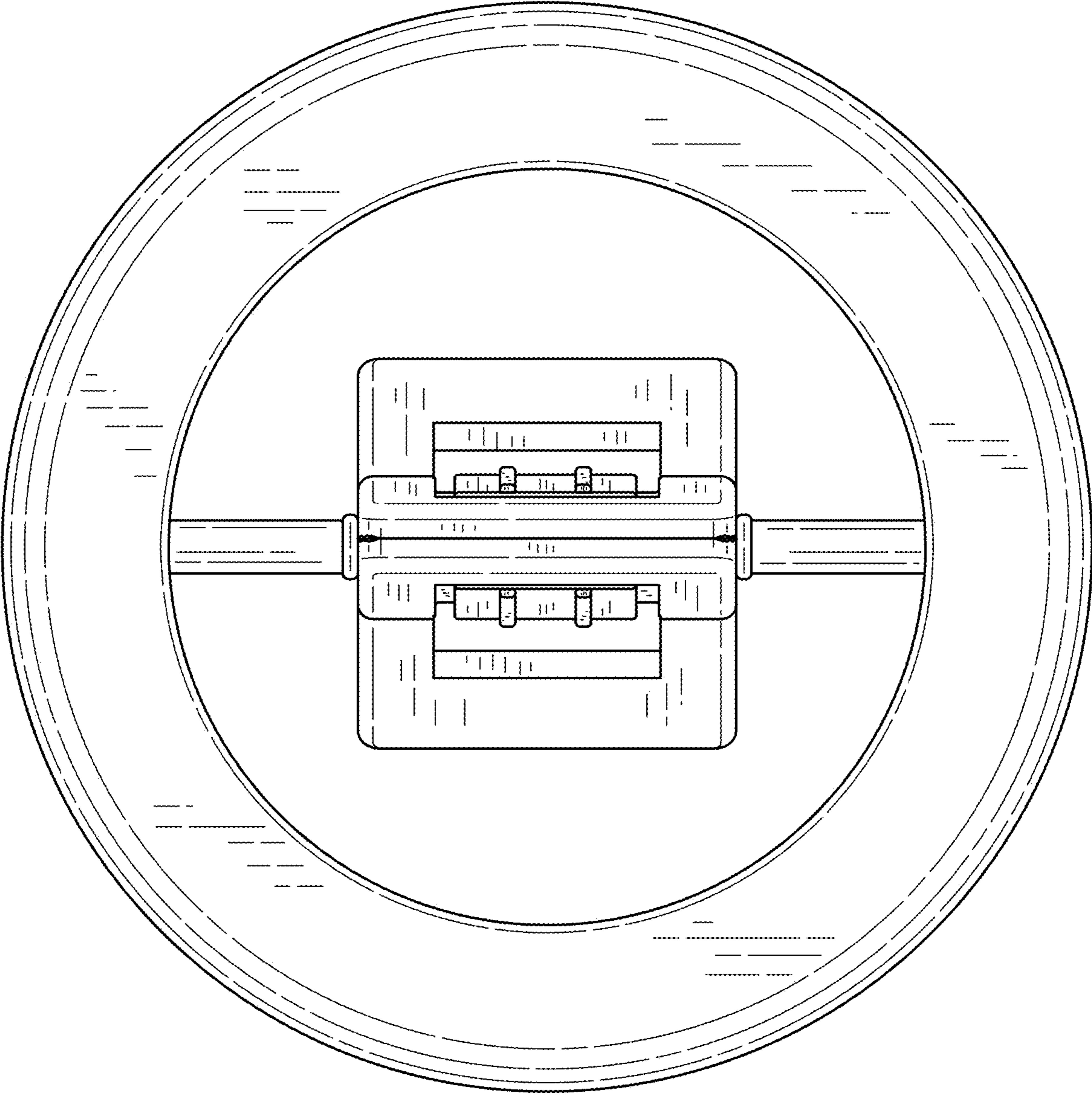


FIG.5

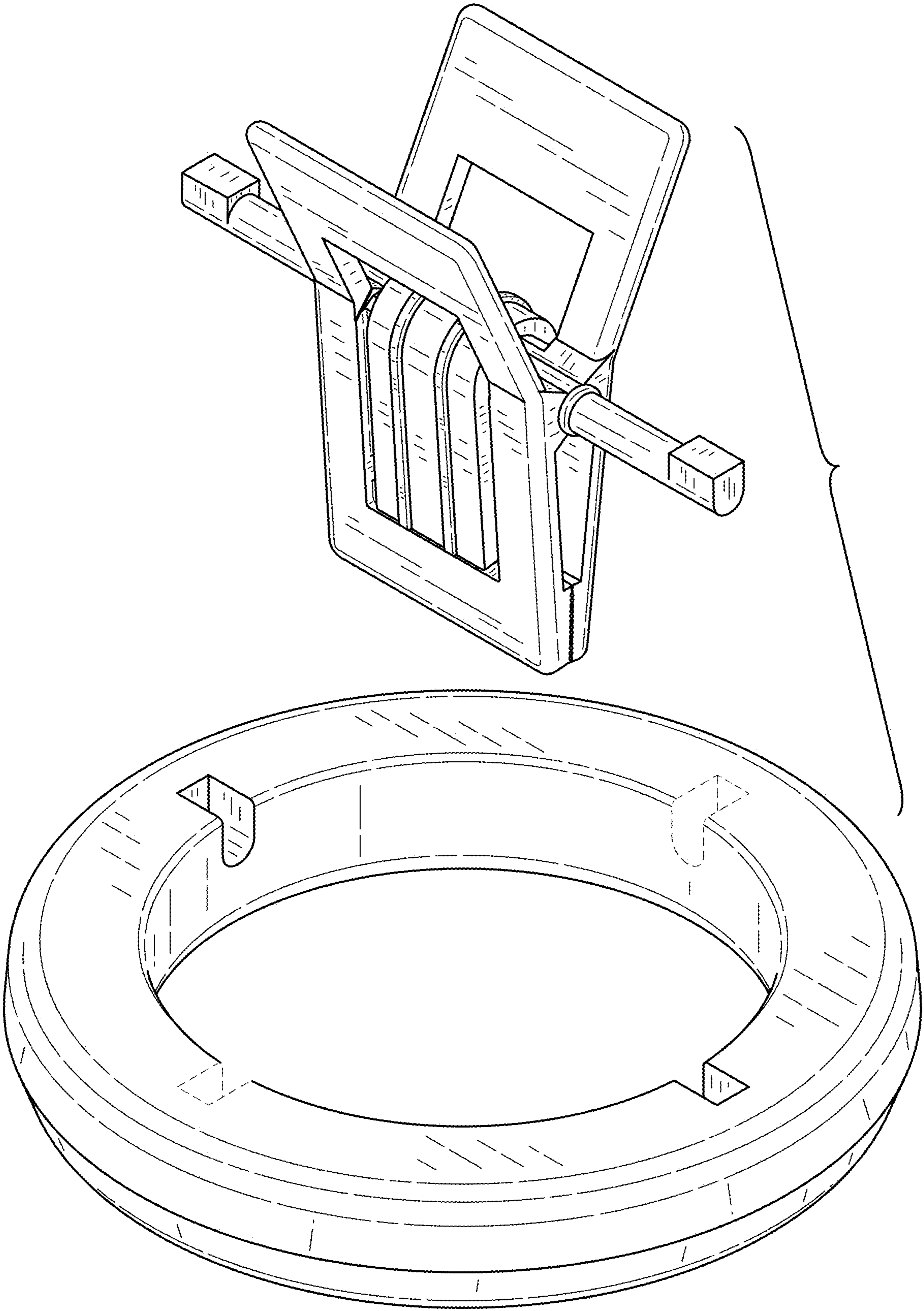


FIG.6

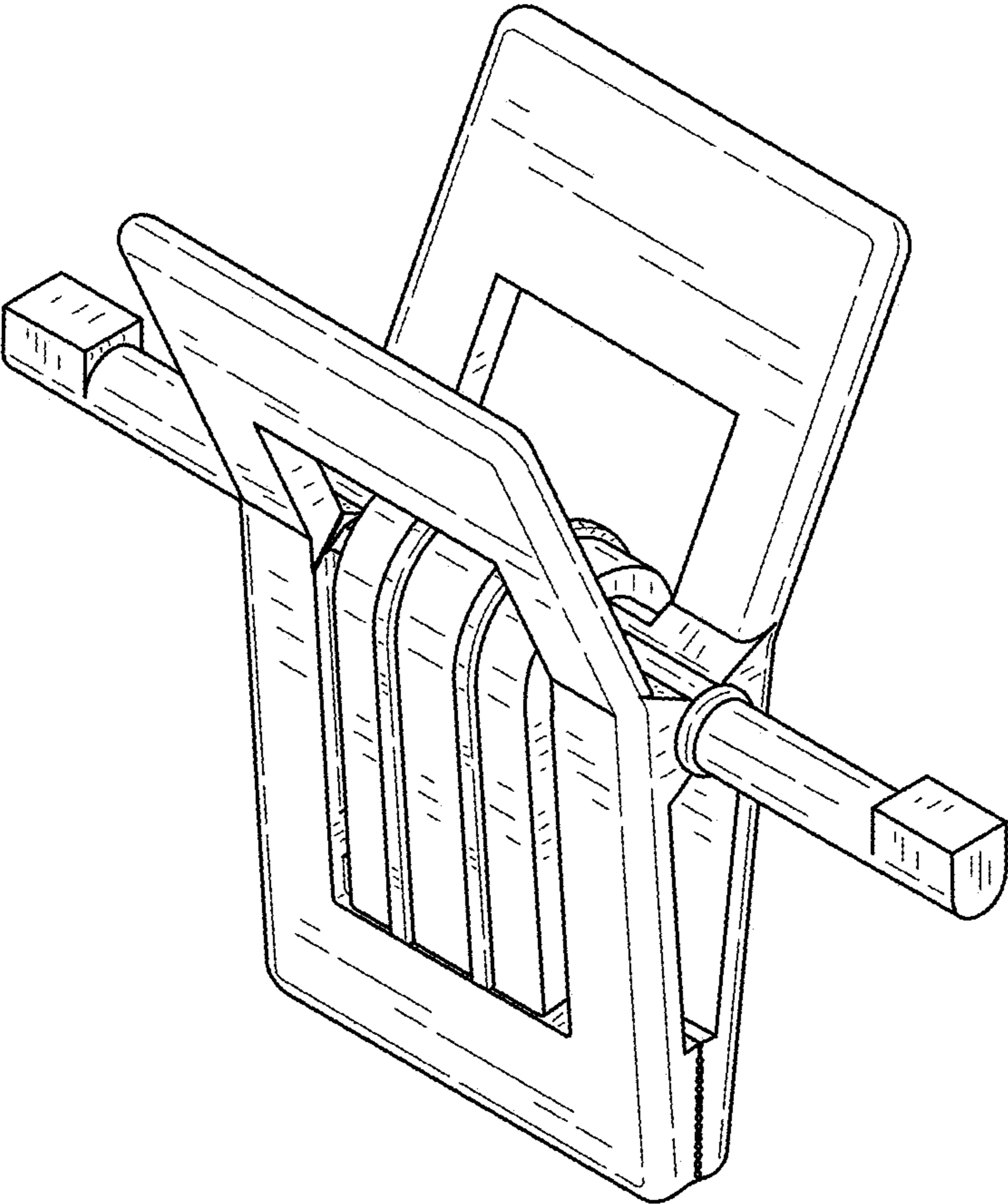


FIG.7

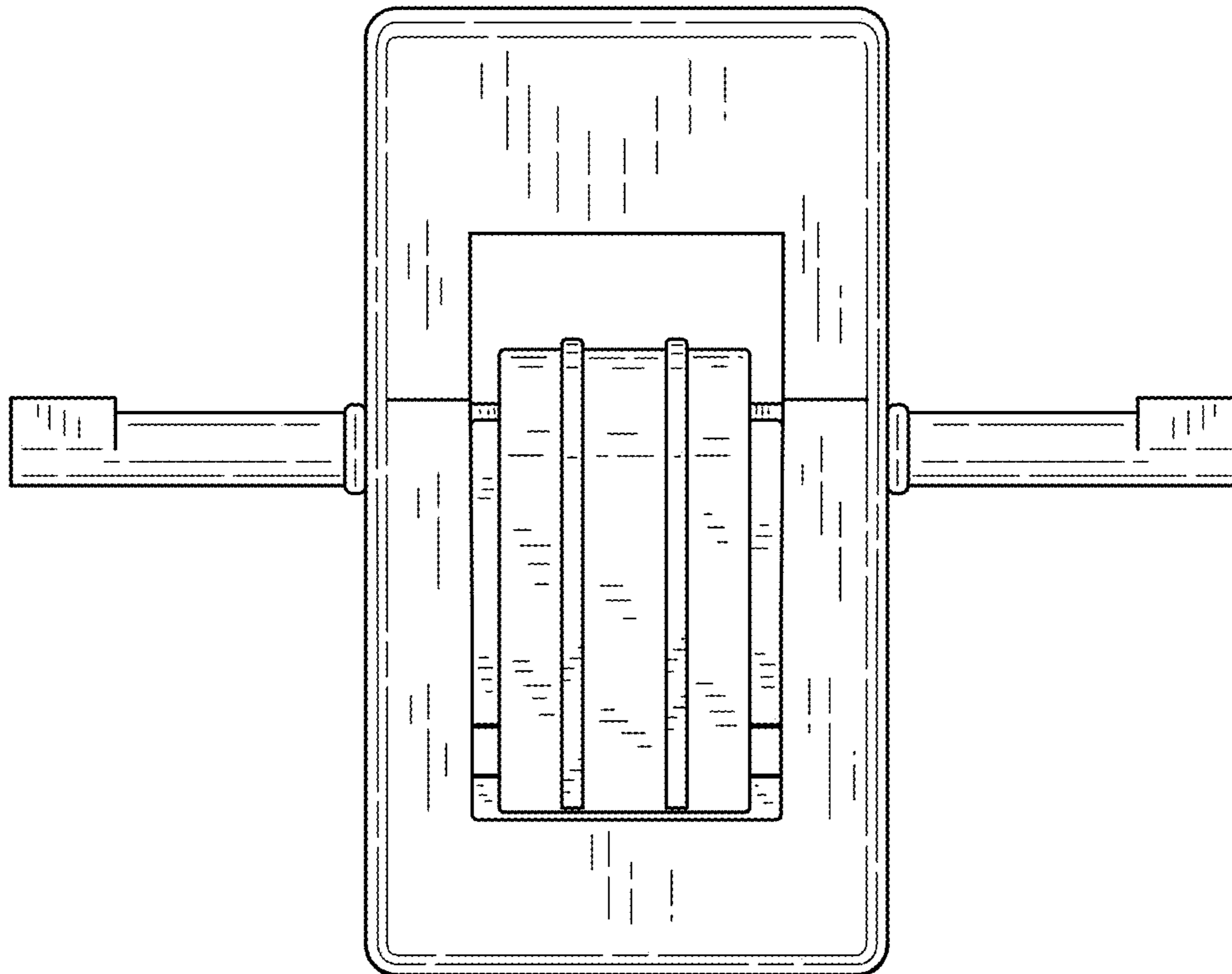


FIG.8

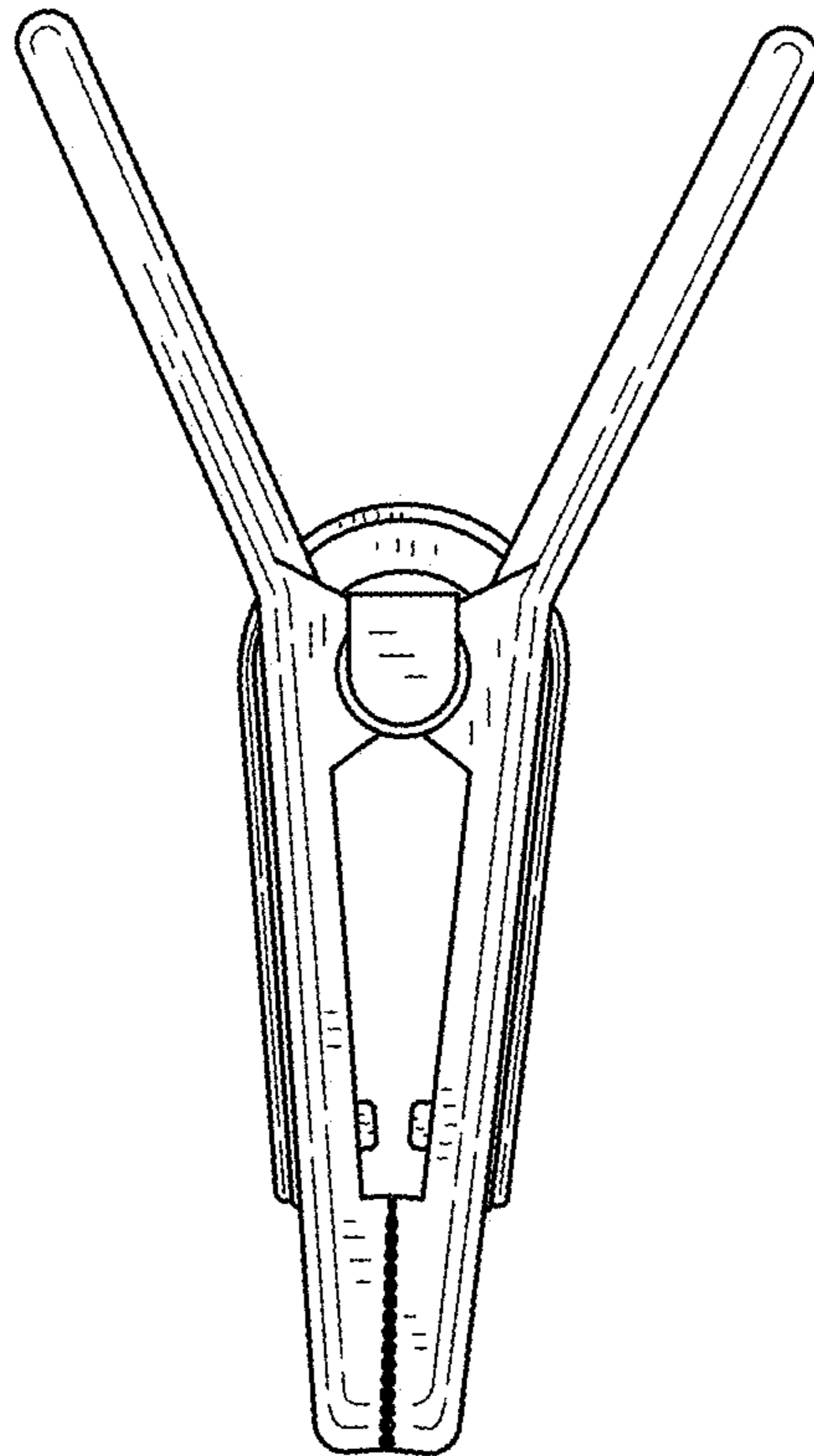


FIG.9

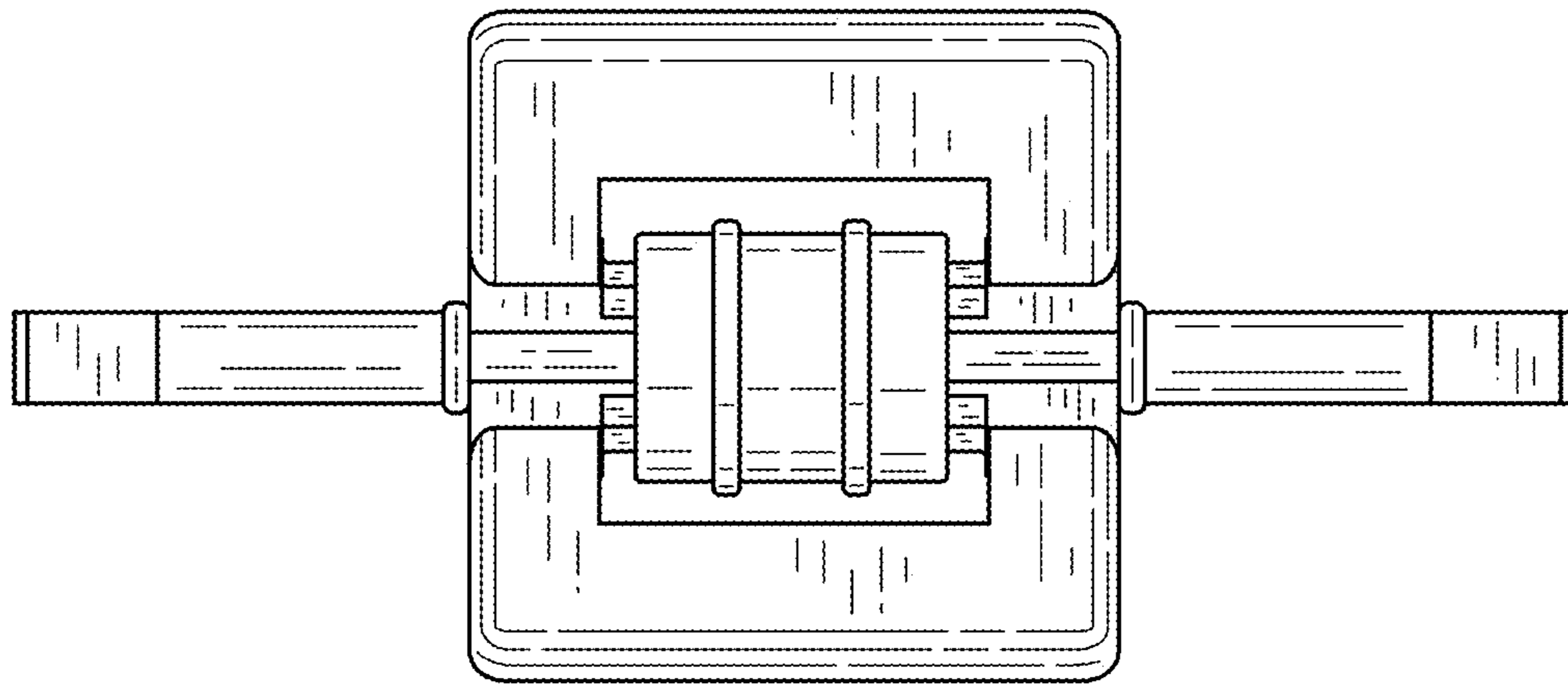


FIG.10

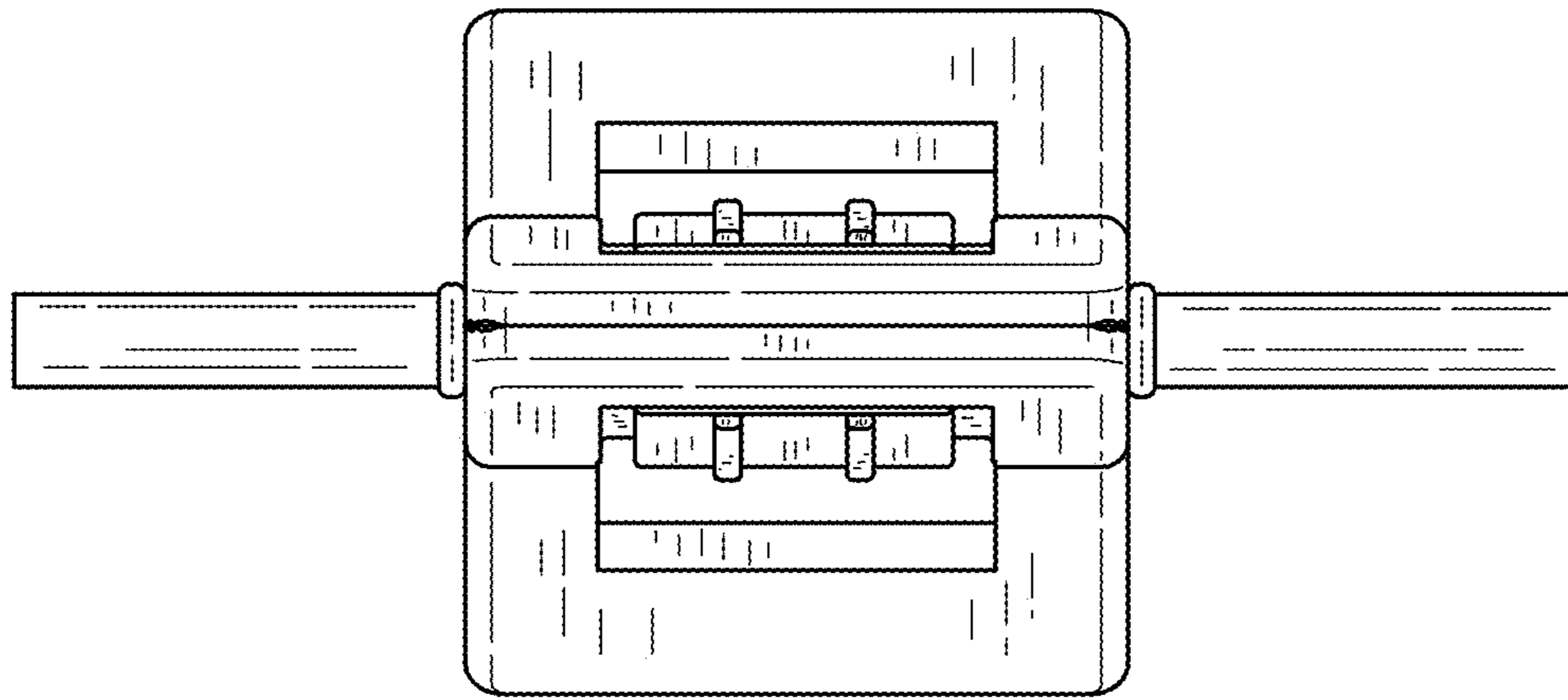


FIG.11

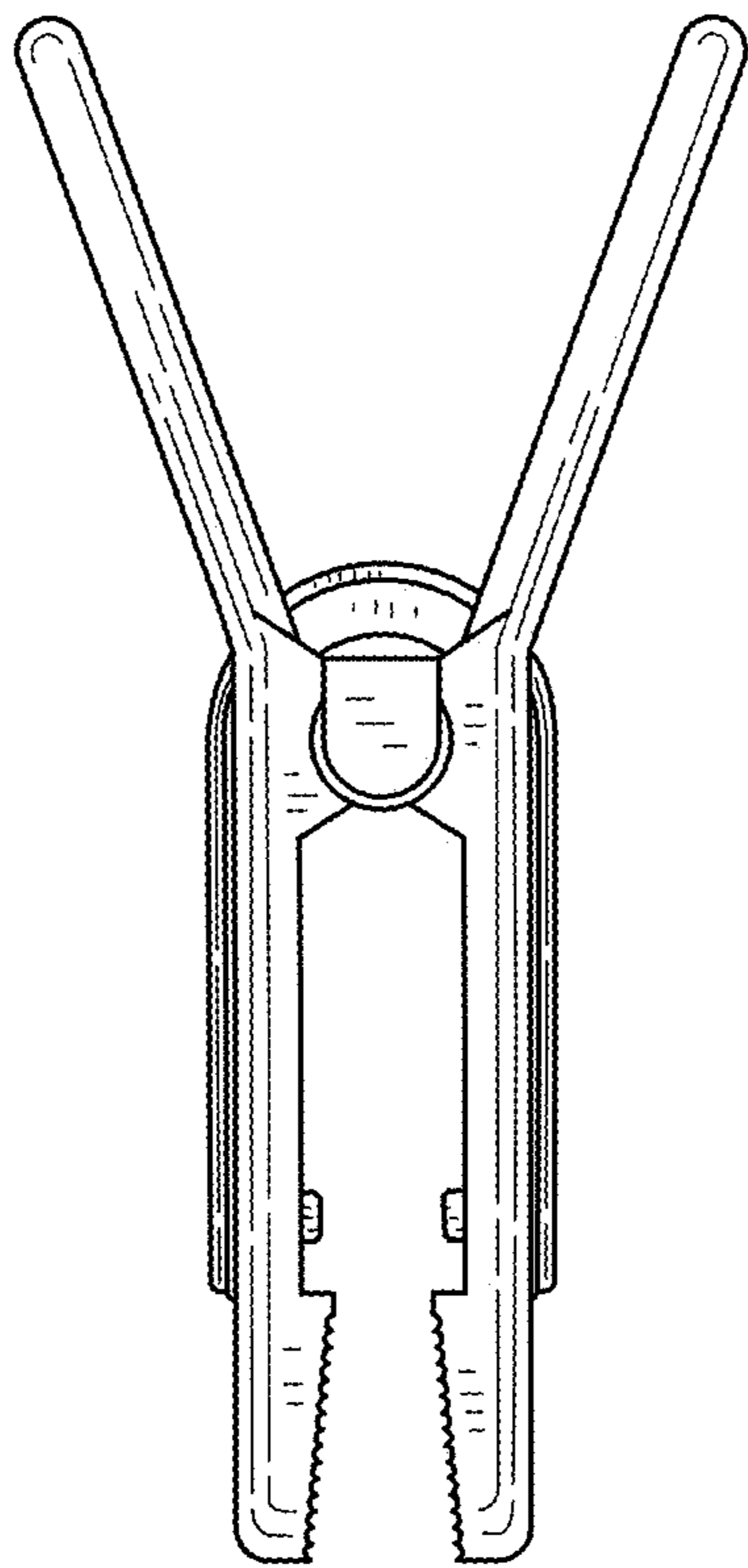


FIG.12