

US00D945079S

(12) **United States Design Patent**  
**Smith**

(10) **Patent No.:** **US D945,079 S**  
(45) **Date of Patent:** **\*\* Mar. 1, 2022**

(54) **COVER FOR A BED FOR ANIMALS**

(71) Applicant: **DISC-O-BED HOLDINGS LIMITED,**  
Limassol (CY)

(72) Inventor: **Tyler Smith,** Suwanee, GA (US)

(73) Assignee: **DISC-O-BED HOLDINGS LIMITED,**  
Limassol (CY)

(\*\*) Term: **15 Years**

(21) Appl. No.: **29/777,449**

(22) Filed: **Apr. 6, 2021**

**Related U.S. Application Data**

(62) Division of application No. 35/509,411, filed on Mar. 6, 2020 (U.S. filing date under 35 U.S.C. 384), and having an international filing date of Mar. 6, 2020, now Pat. No. Des. 923,885.

(51) **LOC (13) Cl.** ..... **30-06**

(52) **U.S. Cl.**  
USPC ..... **D30/118**

(58) **Field of Classification Search**  
USPC ..... D30/108, 118, 119; D6/382, 675.5,  
D6/715.2, 718.1, 718.11, 718.12; D3/304  
CPC ..... A01K 1/0353  
See application file for complete search history.

(56) **References Cited**

**U.S. PATENT DOCUMENTS**

- 4,646,770 A \* 3/1987 Lobato ..... E04H 15/003  
135/124
- 5,749,314 A \* 5/1998 Pelham ..... A01K 1/0353  
119/28.5
- D429,923 S \* 8/2000 Meglino ..... D6/715.2
- 6,435,133 B1 \* 8/2002 Wayne, Jr. .... A01K 1/0353  
119/28.5
- D533,687 S \* 12/2006 Bull ..... D30/118
- D653,406 S \* 1/2012 Kahn ..... D30/118

- D734,628 S \* 7/2015 Wang ..... D6/675.5
- D755,445 S \* 5/2016 Iiams ..... D30/118
- D828,963 S \* 9/2018 Hansen ..... D30/118
- D923,885 S \* 6/2021 Smith ..... D30/118
- D927,794 S \* 8/2021 Yun ..... D30/118

(Continued)

**OTHER PUBLICATIONS**

“Disc-O-Bed: Dog-Bed”. Found online Jan. 22, 2021 at facebook.com. Reference dated Sep. 13, 2020. Retrieved from <https://www.facebook.com/discobedworldwide/photos/a.144695049058630/1465569683637820>.\*

(Continued)

*Primary Examiner* — Kendra Leslie Hamilton

(74) *Attorney, Agent, or Firm* — Tristan A. Fuierer; Olive Law Group, PLLC

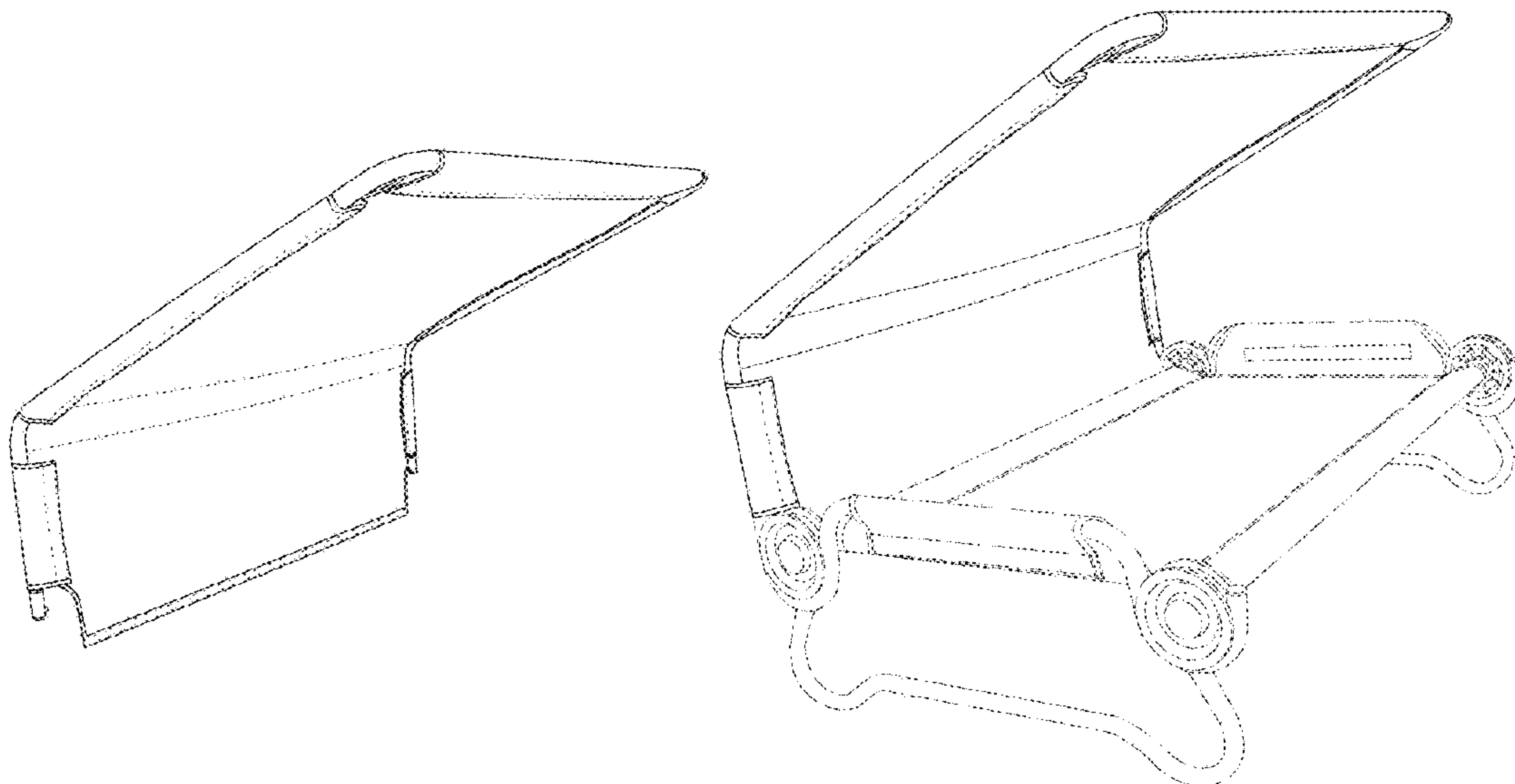
(57) **CLAIM**

I claim the ornamental design for a cover for a bed for animals, as shown and described.

**DESCRIPTION**

FIG. 1 is a top, front, right side perspective view of a cover for a bed for animals, showing my new design;  
FIG. 2 is a front elevation view thereof;  
FIG. 3 is a right side elevation view thereof;  
FIG. 4 is rear elevation view thereof;  
FIG. 5 is left side elevation view thereof;  
FIG. 6 is a top plan elevation view thereof;  
FIG. 7 is a bottom view thereof, and,  
FIG. 8 is a top, front, right perspective view of the cover for a bed for animals of FIG. 1, shown in a condition for use. The equal-length broken lines on the cover for a bed for animals in FIGS. 1-8 depict stitching and form no part of the claimed design. The dash-dotted lines depicting an associated animal bed in FIG. 8 depict environmental structure and form no part of the claimed design.

**1 Claim, 8 Drawing Sheets**



(56)

**References Cited**

U.S. PATENT DOCUMENTS

2013/0276708 A1\* 10/2013 Wolfe, Jr ..... A01K 15/02  
119/28.5  
2017/0035208 A1\* 2/2017 Bonatz ..... A47C 19/028

OTHER PUBLICATIONS

“Coolaroo: The Original Elevated Pet Bed”. Found online Jan. 22, 2021 at amazon.com. Reference dated Oct. 9, 2008. Retrieved from [https://www.amazon.com/Gale-Pacific-Coolaroo-Elevated-Terracotta/dp/B001HX4280/ref=sr\\_1\\_12?](https://www.amazon.com/Gale-Pacific-Coolaroo-Elevated-Terracotta/dp/B001HX4280/ref=sr_1_12?).\*

“Design Watch: Design Registration for Glaeser Pet Bed (No. 1666064)”. Found online Jan. 22, 2021 at chizai-watch.com. Reference dated Aug. 17, 2020. Retrieved from <https://chizai-watch.com/d/1666064>.\*

“Home and Garden: Cat Habitats”. Found online Apr. 10, 2017 at home-and-garden.livejournal.com. Reference dated Dec. 10, 2016. Retrieved from <http://home-and-garden.livejournal.com/742349.html>.\*

\* cited by examiner

Fig. 1

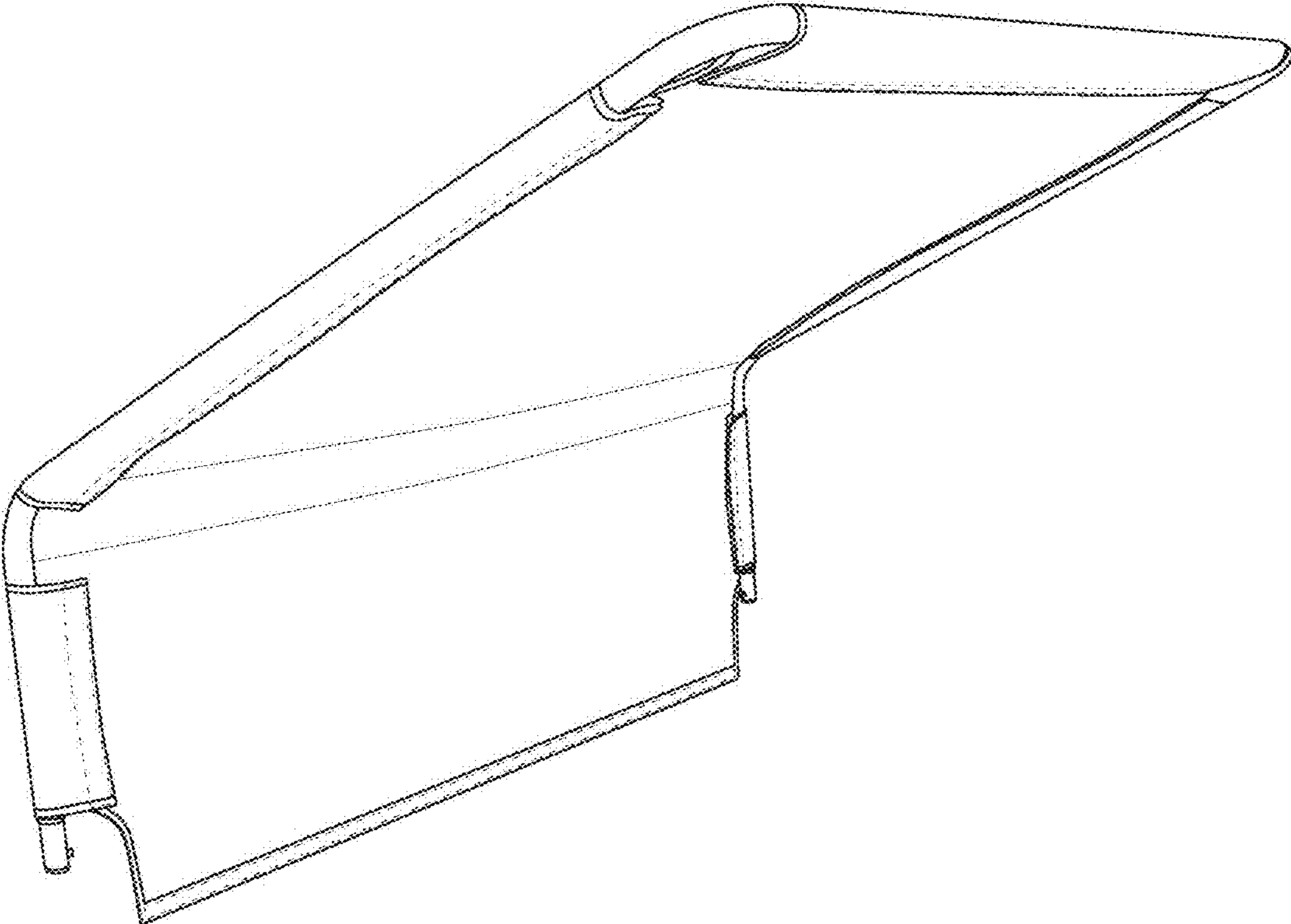


Fig. 2

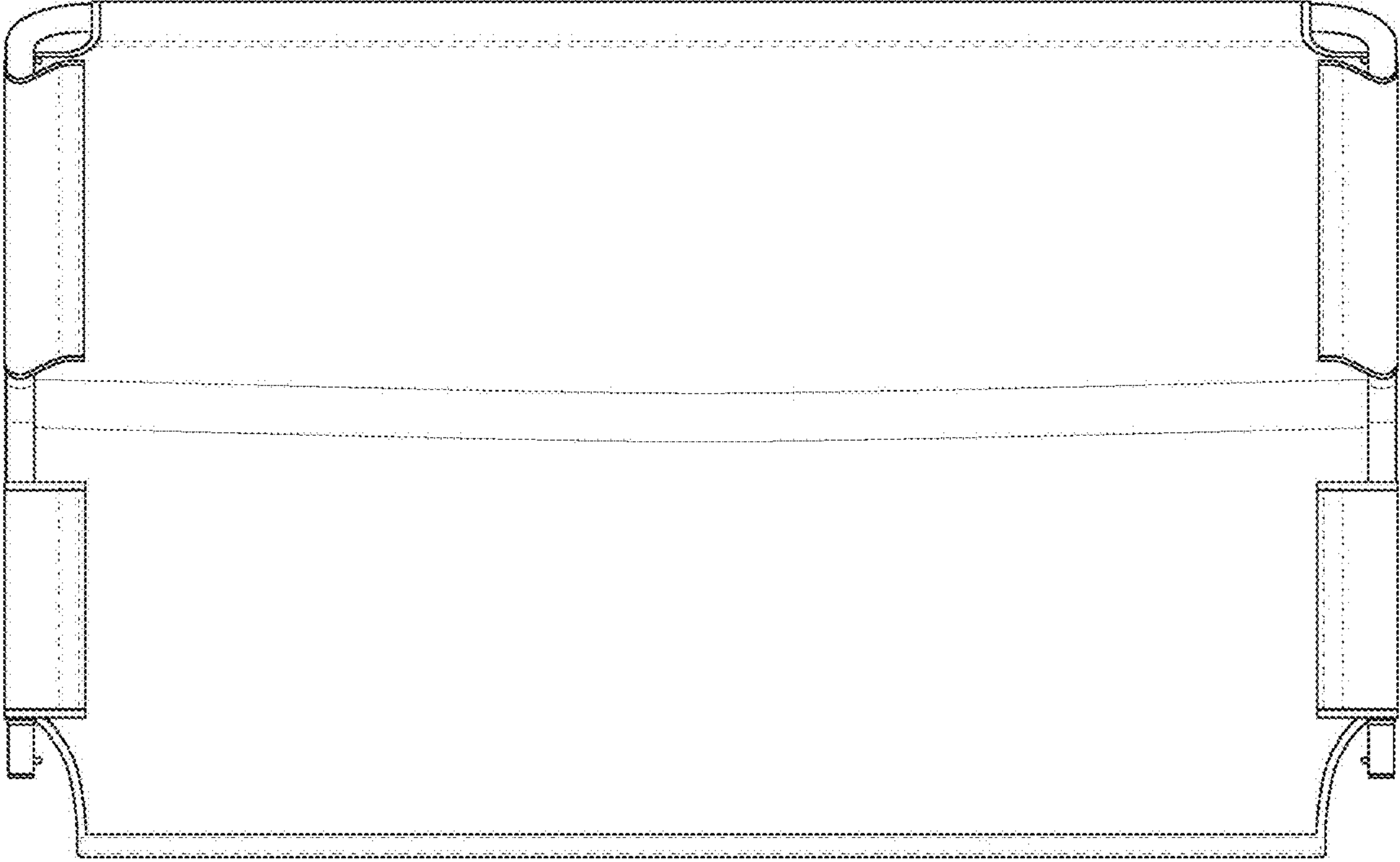


Fig. 3

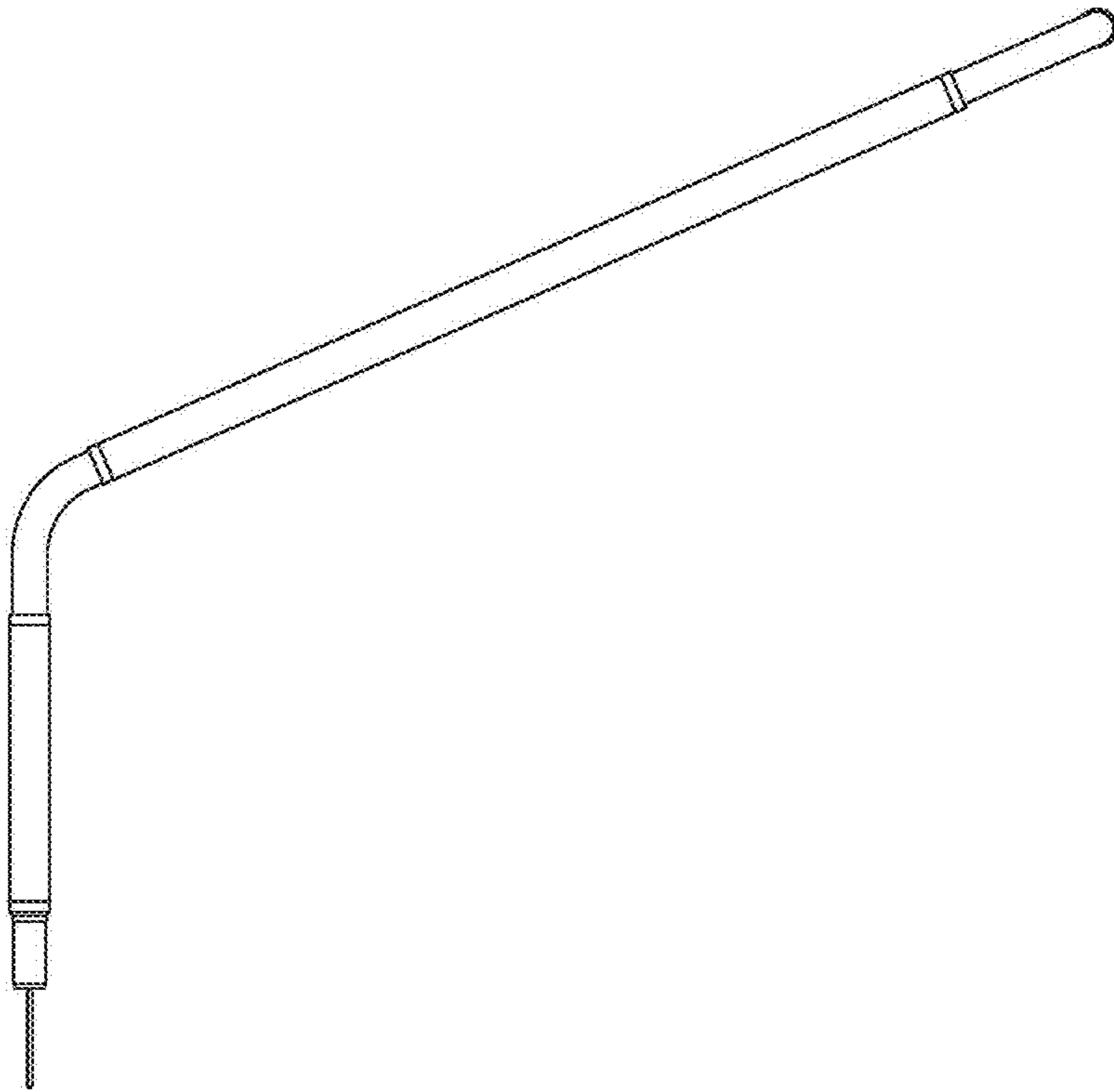


Fig. 4

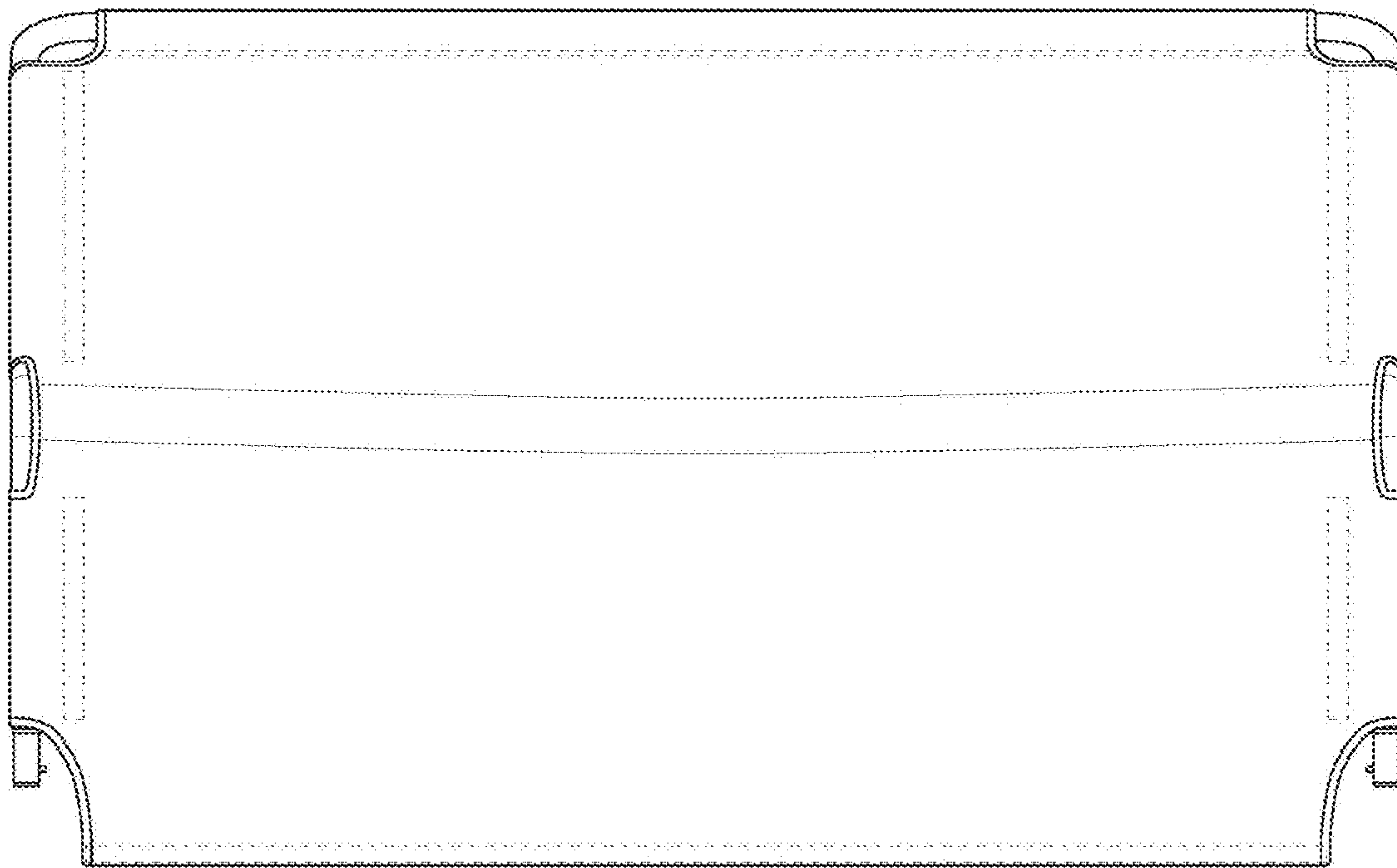


Fig. 5

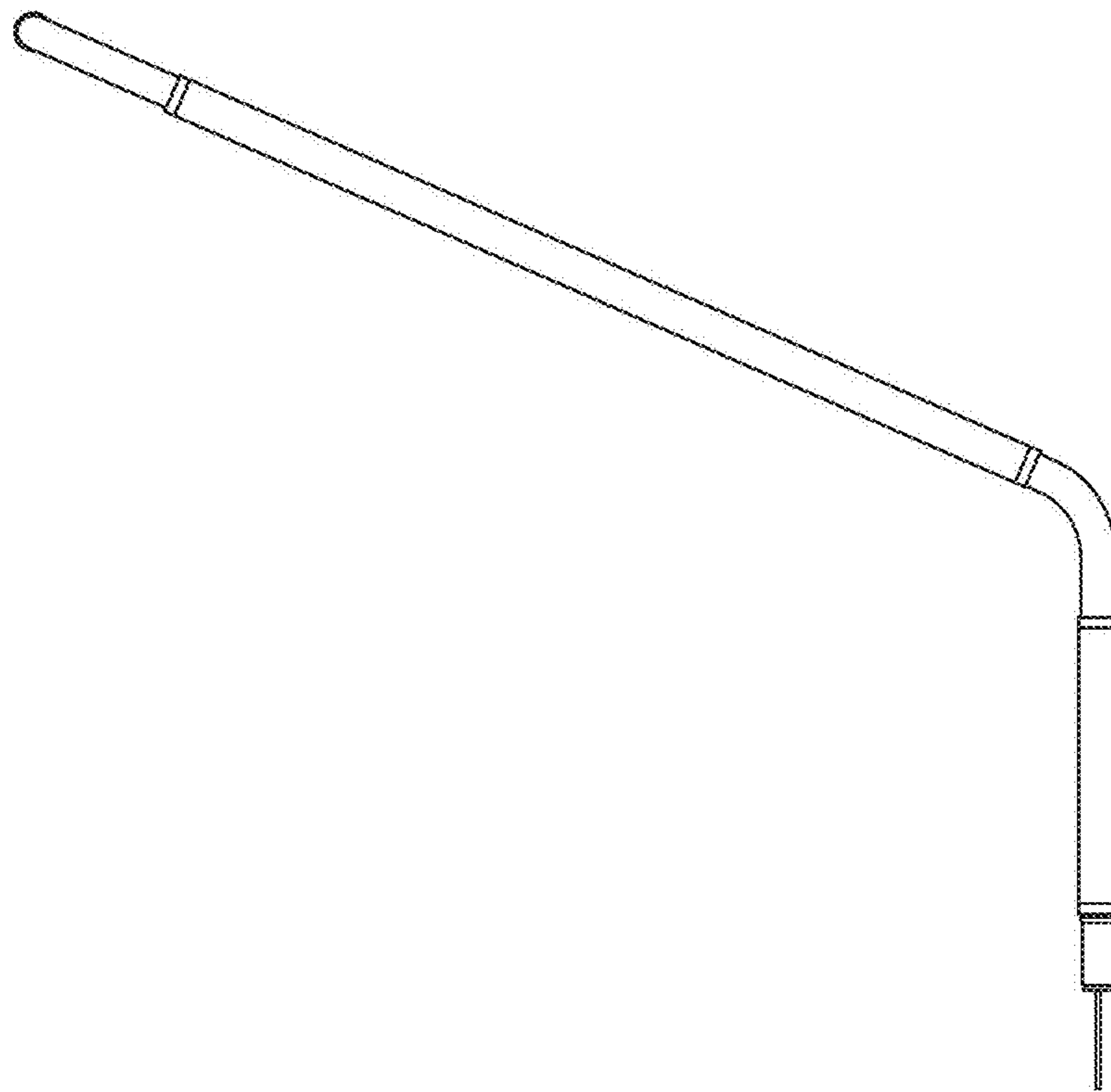




Fig. 6





Fig. 7



Fig. 8

