



US00D945078S

(12) **United States Design Patent**
Wu et al.

(10) **Patent No.:** **US D945,078 S**
(45) **Date of Patent:** **** *Mar. 1, 2022**

(54) **FACE MASK**

(71) Applicants: **Jack Wu**, Irvine, CA (US); **Joseph Frank Scalisi**, Yorba Linda, CA (US); **Desiree Mejia**, Yorba Linda, CA (US)

(72) Inventors: **Jack Wu**, Irvine, CA (US); **Joseph Frank Scalisi**, Yorba Linda, CA (US); **Desiree Mejia**, Yorba Linda, CA (US)

(73) Assignee: **Savage Brands, Inc.**, Irvine, CA (US)

(*) Notice: This patent is subject to a terminal disclaimer.

(**) Term: **15 Years**

(21) Appl. No.: **29/730,431**

(22) Filed: **Apr. 3, 2020**

(51) **LOC (13) Cl.** **29-02**

(52) **U.S. Cl.**
USPC **D29/108**

(58) **Field of Classification Search**
USPC D29/100, 102, 105, 106, 107, 108, 110, D29/122; D2/878, 880, 881; D24/110.1
CPC A42B 5/00; A42B 3/18; A42B 3/20; A42B 1/046; A63B 71/08; A63B 71/10; A63B 71/105; A61F 9/04; A61F 9/06; A61F 9/029; A41D 13/11; A41D 13/1107; A41D 13/1161; A41D 13/1169; A41D 13/1176; A41G 7/00; A41G 7/02
See application file for complete search history.

(56) **References Cited**

U.S. PATENT DOCUMENTS

- 3,132,345 A * 5/1964 Keith A42B 3/20
2/9
- 3,196,458 A * 7/1965 Keith A63B 71/10
2/9
- 3,211,146 A * 10/1965 Rodelli A61F 13/122
604/303

- 3,757,777 A 9/1973 Kaufman
- D229,375 S * 11/1973 Beaudin D29/108
- 4,090,510 A 5/1978 Segersten
- D277,513 S 2/1985 Parsons
- D285,374 S 8/1986 Huber
- 4,957,124 A * 9/1990 Mooney A45D 40/00
132/200
- D340,317 S * 10/1993 Cole D24/110.1
- D355,393 S * 2/1995 Bezener D11/133
- 5,575,009 A * 11/1996 Ryvin A41D 13/1153
2/173
- 5,863,312 A 1/1999 Wolfe
(Continued)

OTHER PUBLICATIONS

Filters Fast—Reusable Mesh Particulate Respirator Mask Meets N95 N99 Standard—Downloaded Apr. 8, 2020 from <URL: <https://www.filtersfast.com/p-RZ-Mask-M2-Black-Mesh-Mask.asp>>.

(Continued)

Primary Examiner — Elizabeth J Oswecki

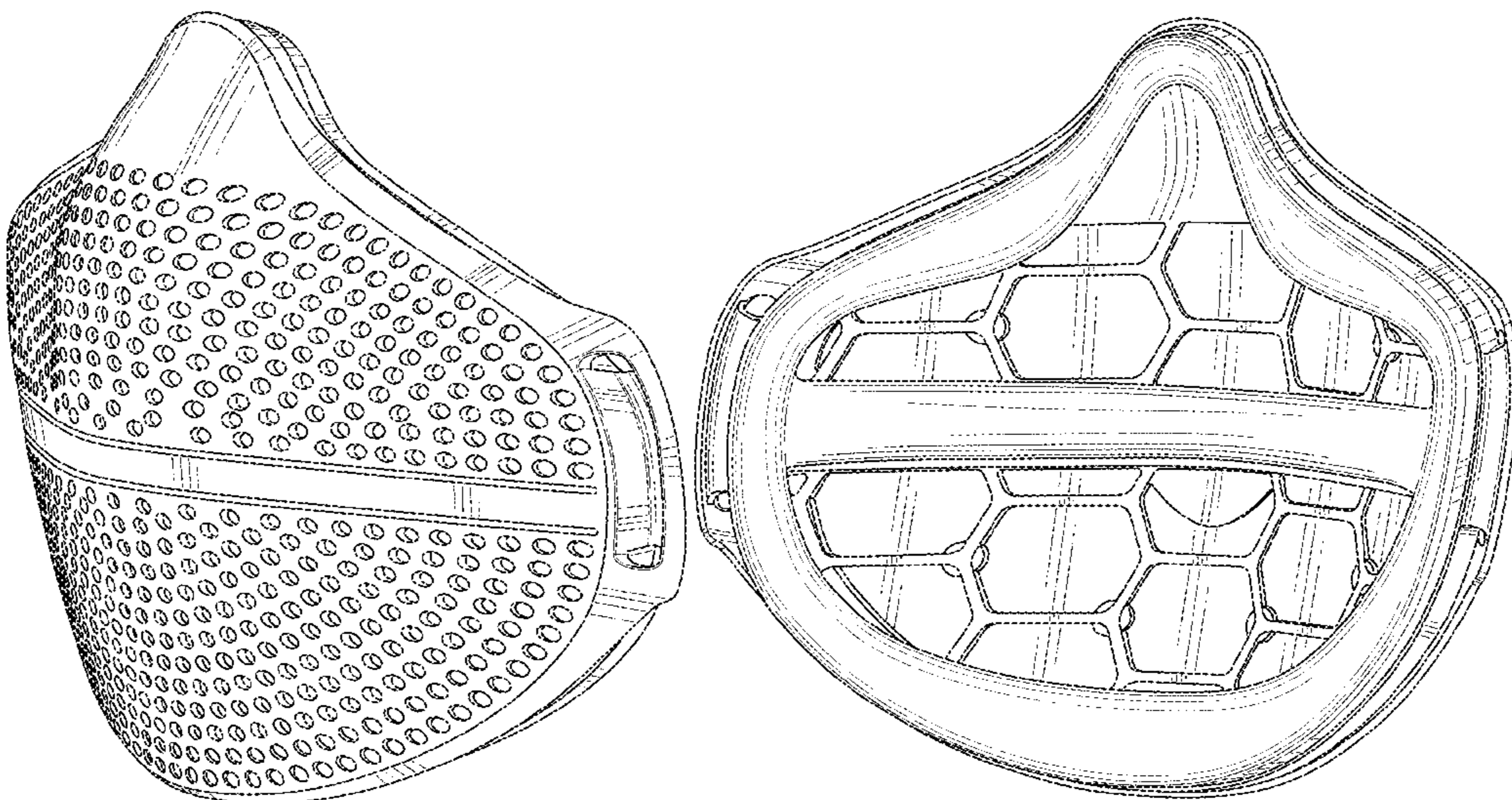
(57) **CLAIM**

The ornamental design for a face mask, as shown and described.

DESCRIPTION

FIG. 1 is a front, side and top perspective view of a face mask showing my new design;
FIG. 2 is a back, side, and bottom perspective view thereof;
FIG. 3 is a front view thereof;
FIG. 4 is a back view thereof;
FIG. 5 is a first side view thereof;
FIG. 6 is a second side view thereof;
FIG. 7 is a top view thereof;
FIG. 8 is a bottom view thereof;
FIG. 9 is an exploded top view thereof; and,
FIG. 10 is an exploded, back, side and bottom perspective view thereof.

1 Claim, 10 Drawing Sheets



(56)

References Cited

U.S. PATENT DOCUMENTS

6,041,782 A * 3/2000 Angadjivand A41D 13/1146
 128/205.27
 D423,726 S * 4/2000 Backus D29/108
 D429,385 S * 8/2000 Lee D29/108
 D430,361 S * 8/2000 Smith D29/108
 6,116,236 A * 9/2000 Wyss A62B 23/025
 128/200.24
 6,148,817 A 11/2000 Bryant
 D434,879 S * 12/2000 Cole D29/108
 D440,302 S 4/2001 Wolfe
 6,530,373 B1 3/2003 Patron
 7,077,139 B2 7/2006 Amante
 D604,910 S * 11/2009 Smaller D29/108
 D636,128 S * 4/2011 Hancock D29/108
 8,066,006 B2 11/2011 Daugaard
 D683,447 S 5/2013 Olsen
 D698,498 S 1/2014 Fleming
 9,320,923 B2 4/2016 Koehler
 D767,754 S * 9/2016 Danford D24/110.1
 D773,121 S * 11/2016 Yuan D29/108
 9,707,444 B1 * 7/2017 Danford A63B 23/18
 9,770,611 B2 9/2017 Facer
 D803,482 S * 11/2017 Greenblat D29/108

D811,582 S 2/2018 Moulton
 D812,737 S 3/2018 Moulton
 D819,194 S * 5/2018 Wenger D24/110.1
 D821,568 S 6/2018 Nilsson
 10,065,055 B2 9/2018 Larsen
 D833,682 S * 11/2018 Greenblat D29/108
 D848,075 S 5/2019 Szasz
 2004/0078860 A1 * 4/2004 Bell A41D 13/1161
 2/9
 2008/0223370 A1 9/2008 Kim
 2012/0167891 A1 * 7/2012 Smaller A41D 13/11
 128/206.19
 2017/0144000 A1 * 5/2017 Danford A62B 9/02
 2017/0196280 A1 * 7/2017 Murphy A41D 13/1161
 2018/0008848 A1 1/2018 Moulton
 2018/0035729 A1 2/2018 Pearson
 2018/0146733 A1 * 5/2018 Greenblat A42B 1/046
 2019/0143153 A1 5/2019 Lee
 2019/0143253 A1 5/2019 Lee
 2019/0358473 A1 5/2019 Lee

OTHER PUBLICATIONS

GIR—Reusable Face Mask—Downloaded Apr. 8, 2020 from <URL:
<https://gir.co/products/mask-kit?variant=31569419665497>>.

* cited by examiner

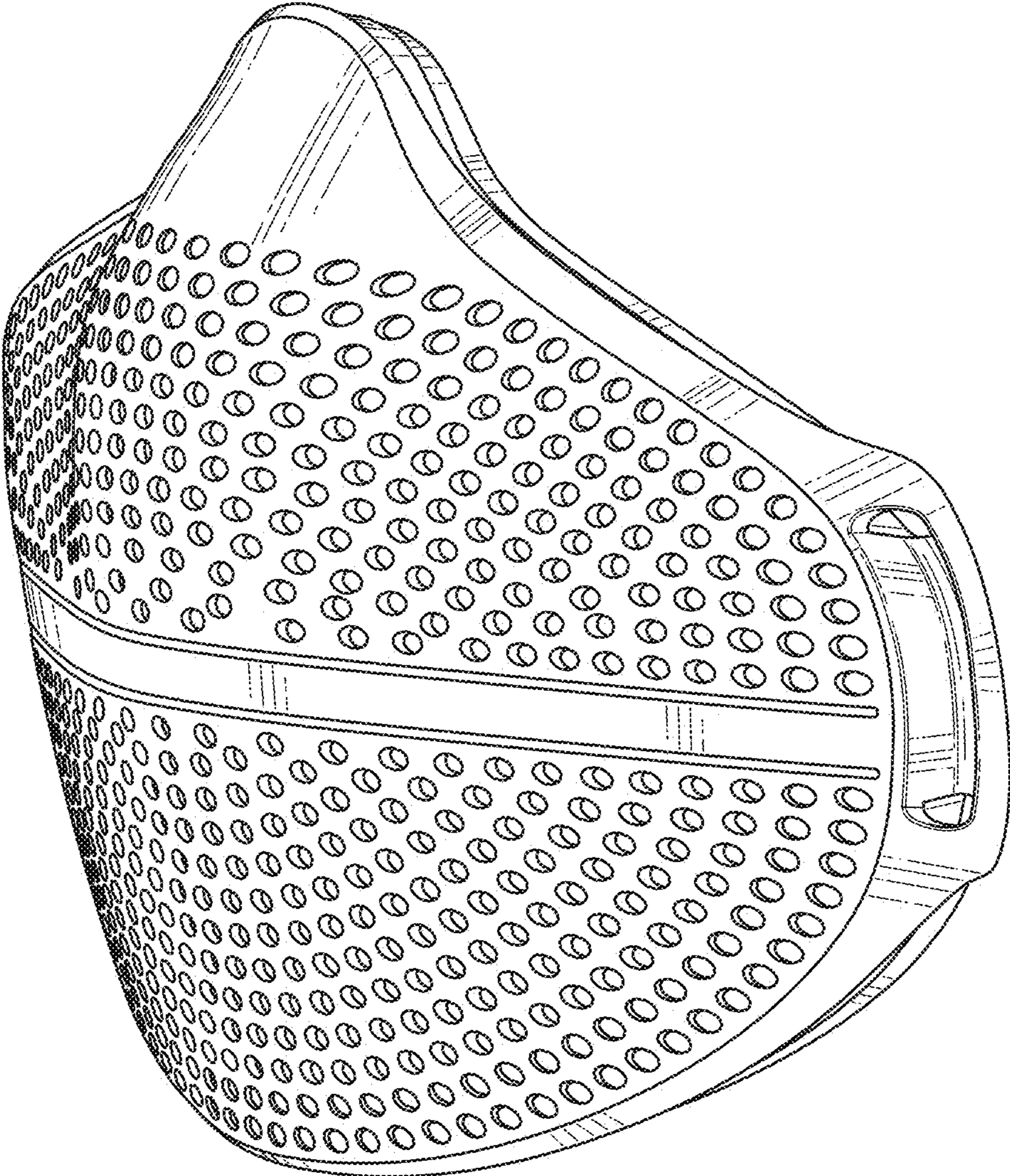


FIG. 1

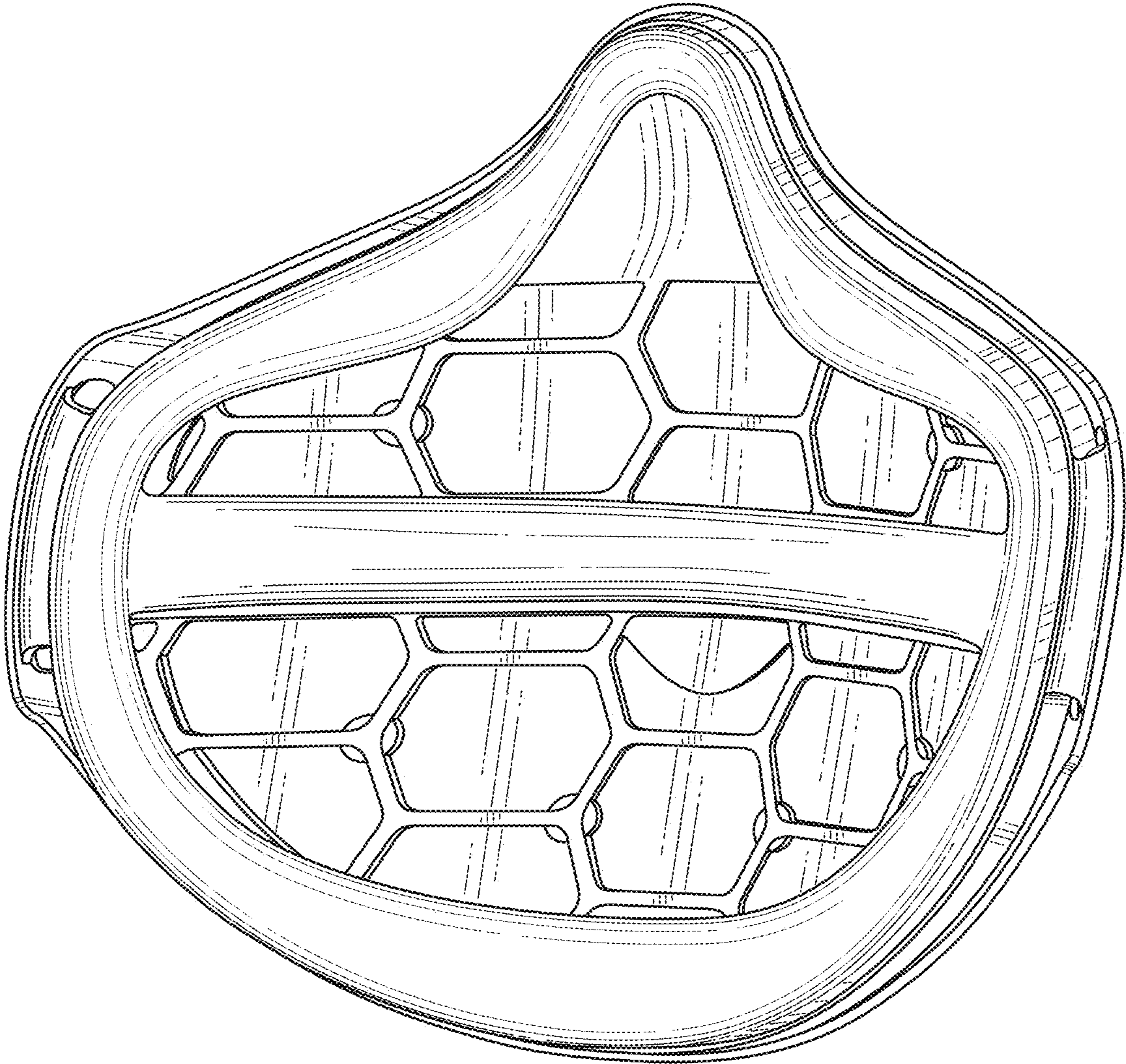


FIG. 2

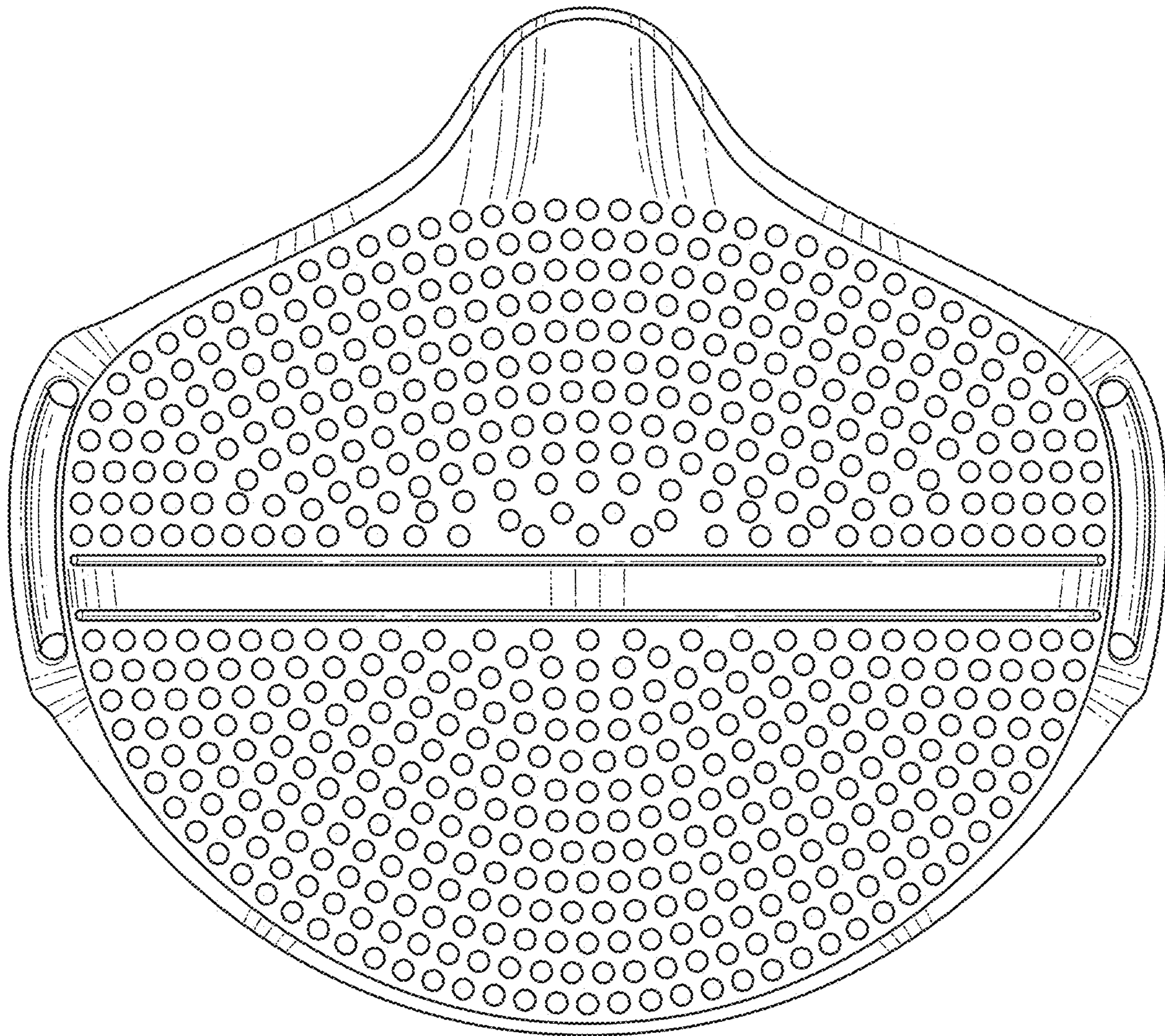


FIG. 3

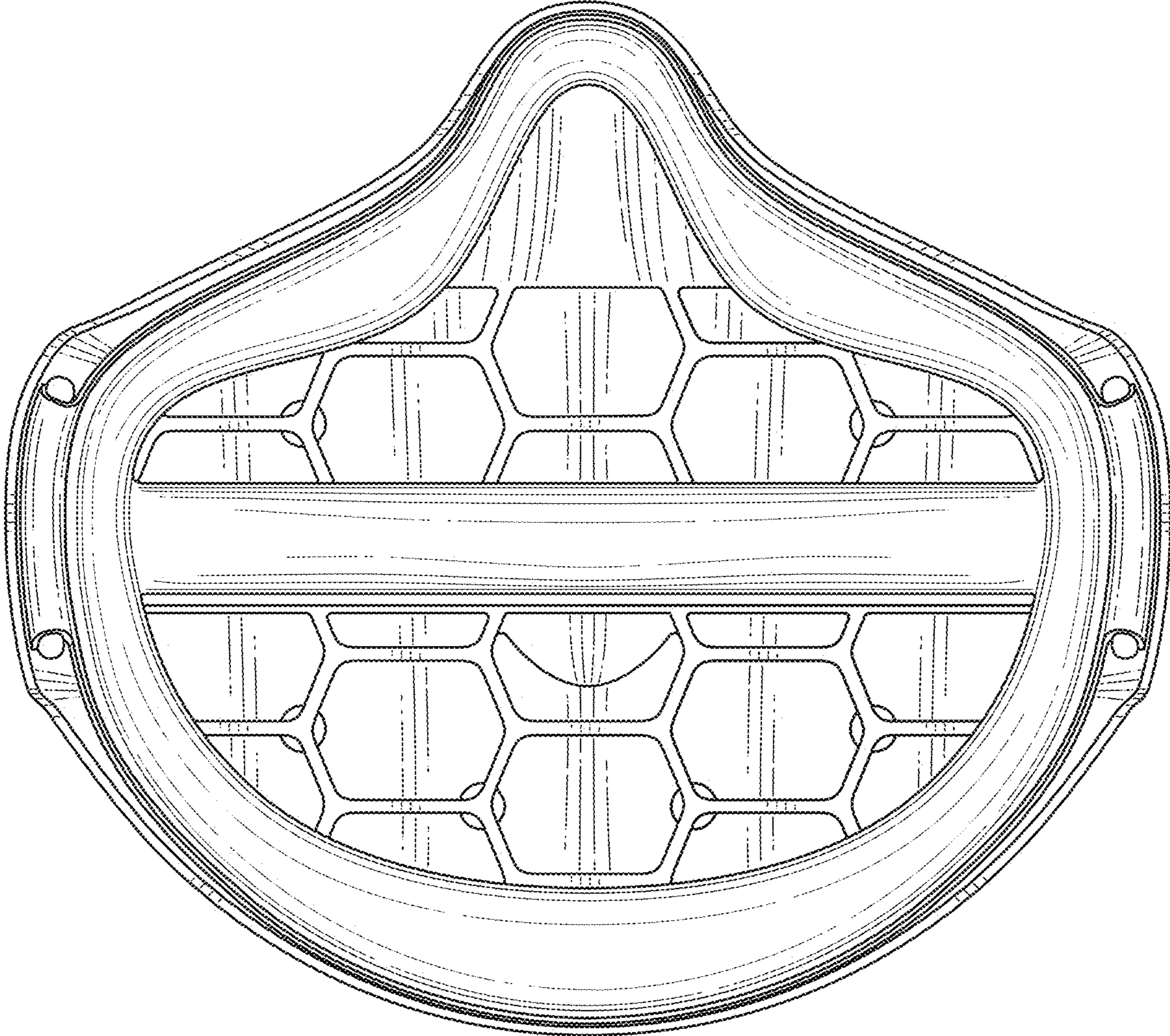


FIG. 4

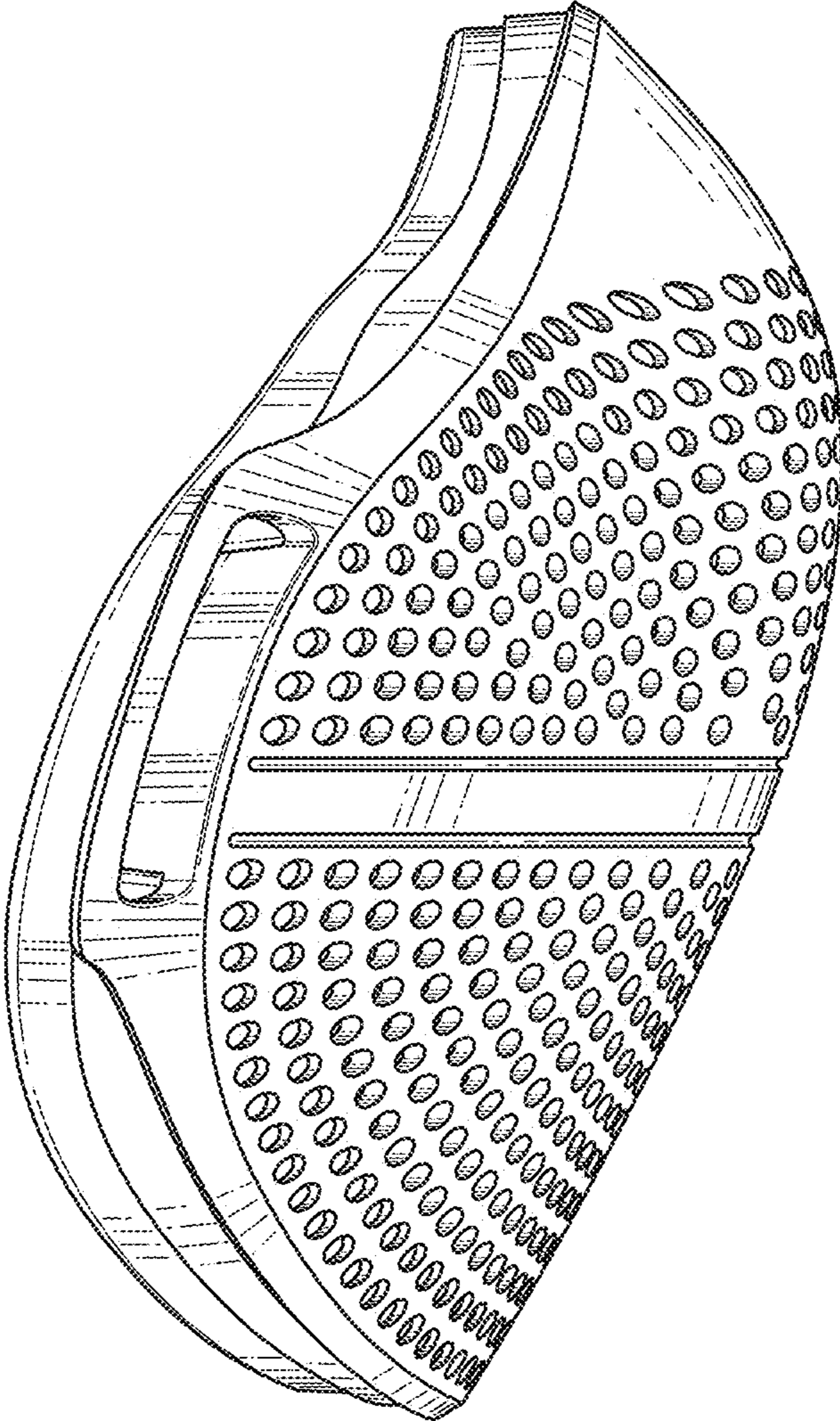


FIG. 5

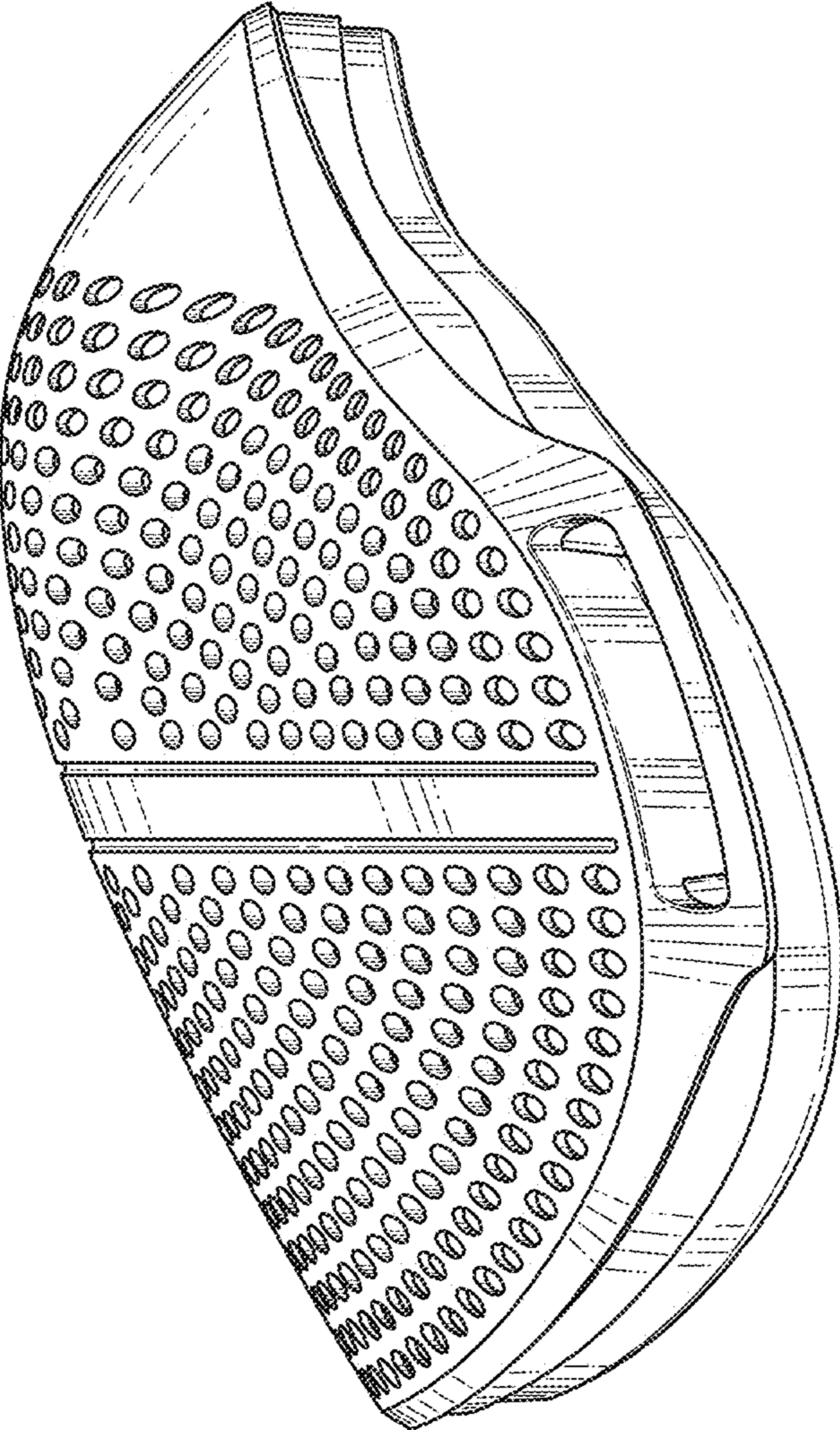


FIG. 6

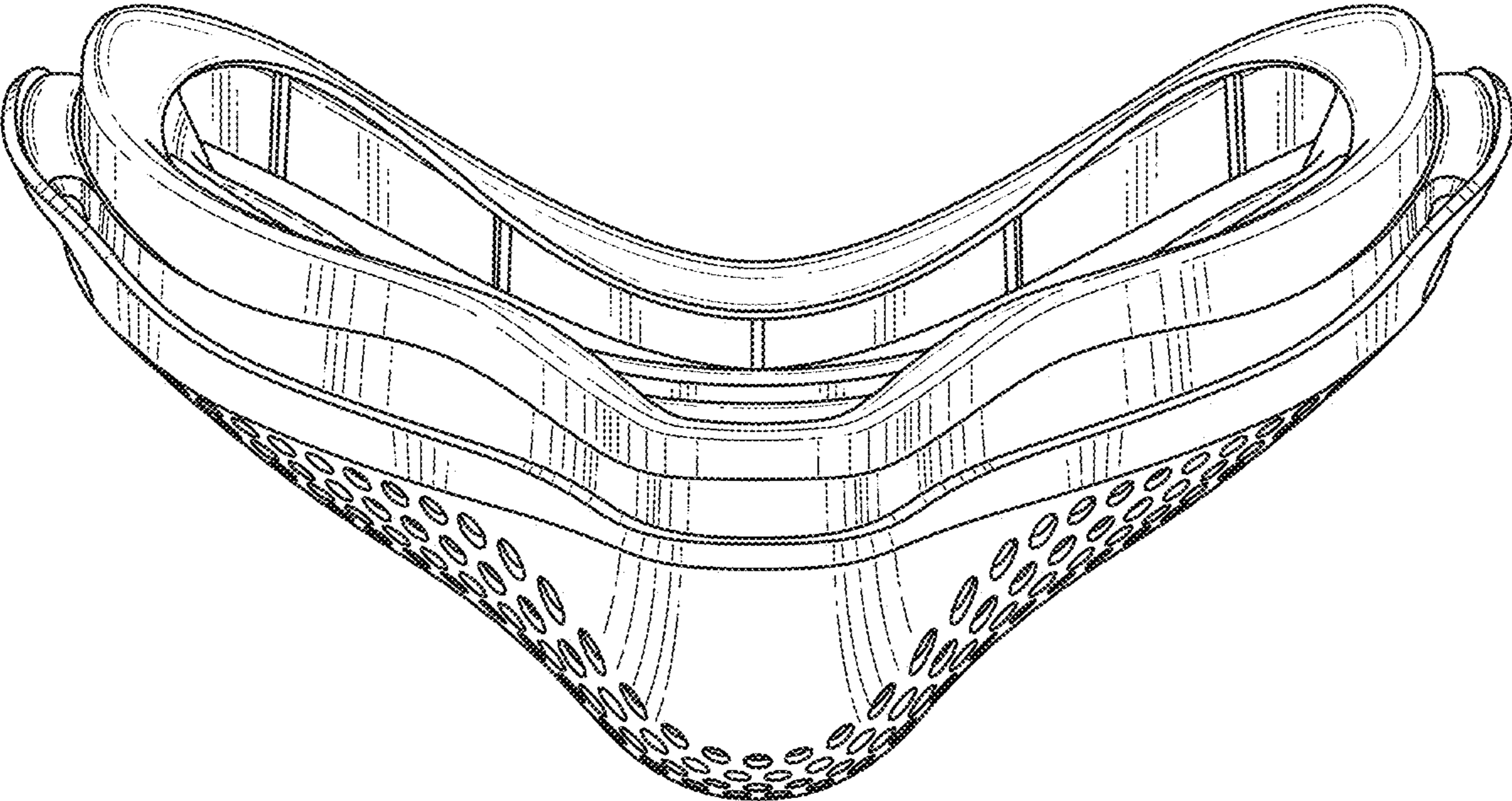


FIG. 7

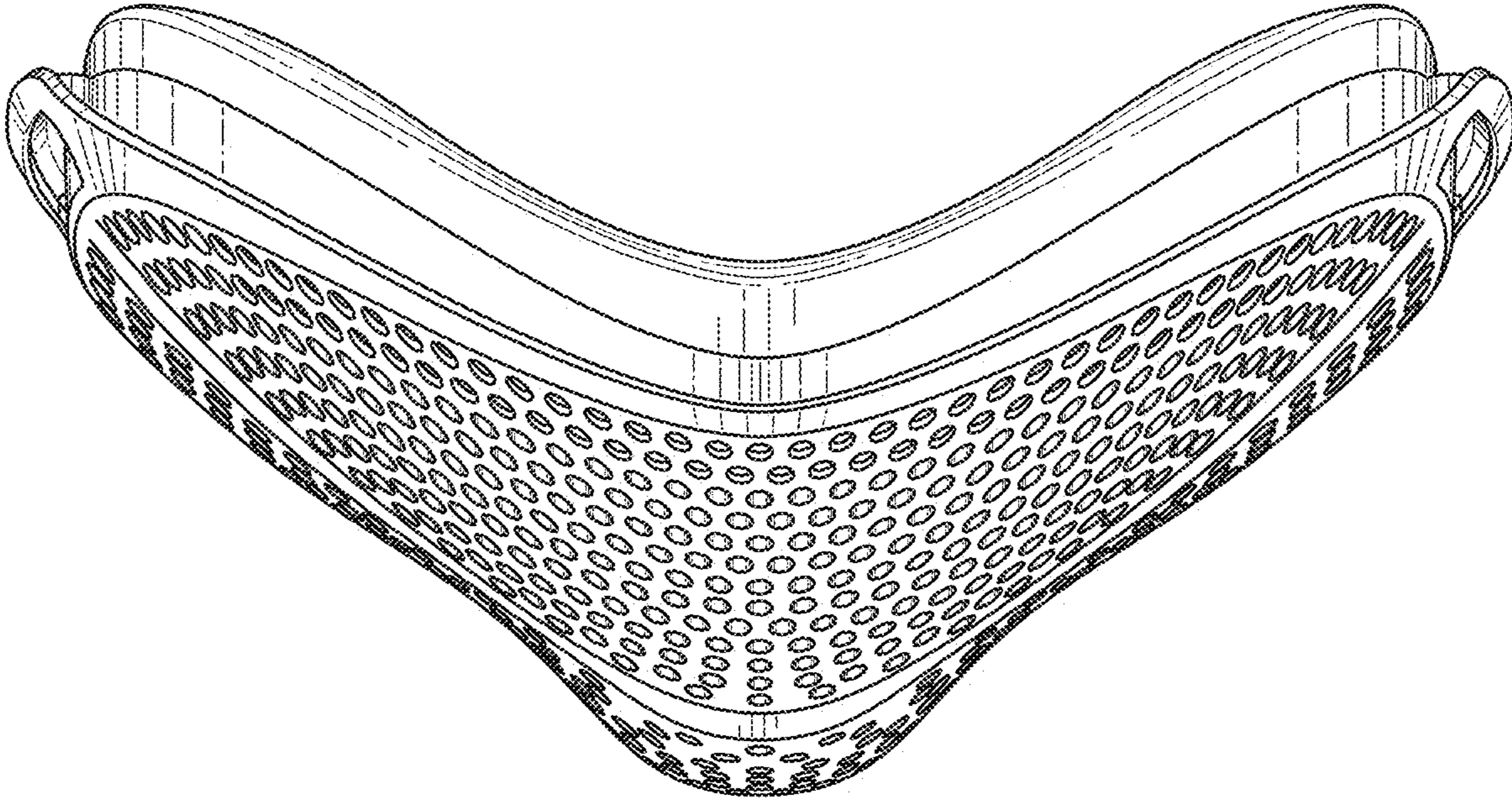


FIG. 8

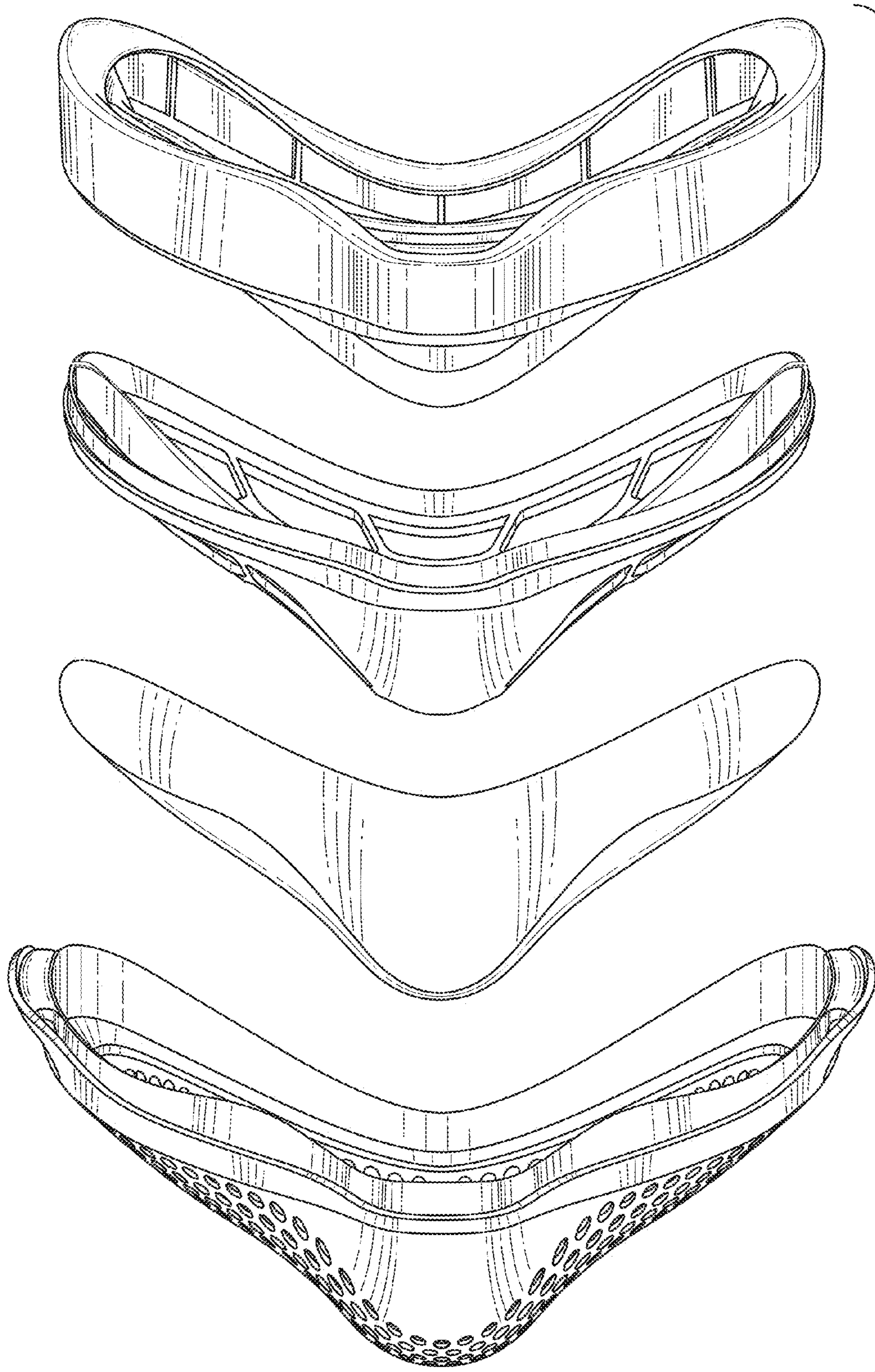


FIG. 9

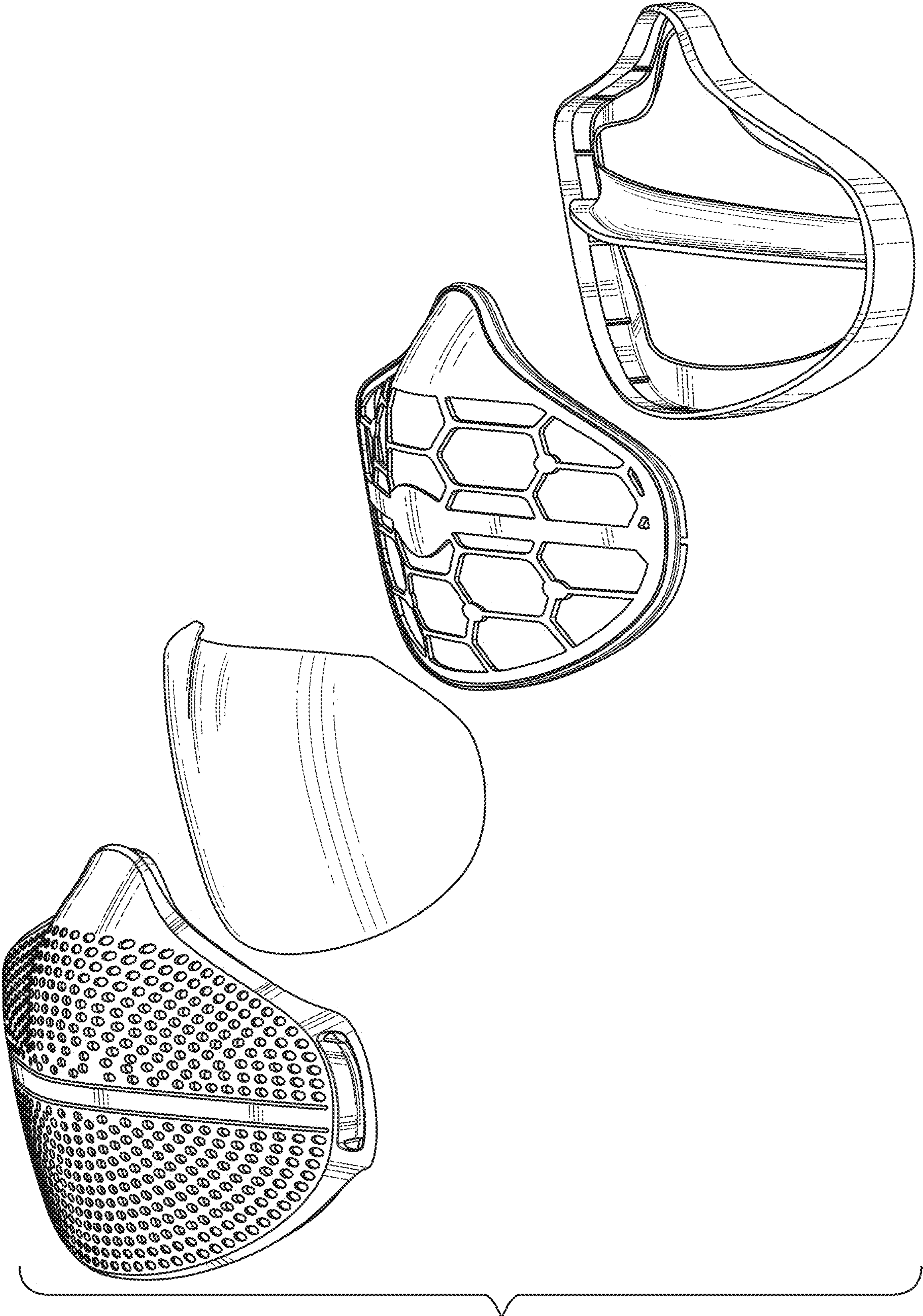


FIG. 10