

US00D945075S

(12) **United States Design Patent**  
**Maeng et al.**

(10) **Patent No.:** **US D945,075 S**  
(45) **Date of Patent:** **\*\* Mar. 1, 2022**

(54) **COMPACT CONTAINER FOR COSMETICS**

(71) Applicant: **HUMMINGAVIS CO., LTD.**,  
Gyeongju-si (KR)

(72) Inventors: **Jae Hoon Maeng**, Cheonan-si (KR);  
**Yu Na Jung**, Asan-si (KR)

(\*\*) Term: **15 Years**

(21) Appl. No.: **35/510,639**

(22) Filed: **Apr. 24, 2020**

(80) **Hague Agreement Data**

Int. Filing Date: **Apr. 24, 2020**  
Int. Reg. No.: **DM/210041**  
Int. Reg. Date: **Apr. 24, 2020**  
Int. Reg. Pub. Date: **Oct. 30, 2020**

(51) **LOC (13) Cl.** ..... **28-03**

(52) **U.S. Cl.**  
USPC ..... **D28/82**

(58) **Field of Classification Search**  
USPC ..... D9/428, 503–504, 516, 529, 454;  
D28/82, 83, 89, 4, 73, 76, 78, 99  
CPC ..... A45D 40/0075; A45D 40/222; B65D  
83/0044  
See application file for complete search history.

(56) **References Cited**

**U.S. PATENT DOCUMENTS**

D506,128 S *	6/2005	Foi	.....	D9/715
D513,386 S *	1/2006	Pace	.....	D9/504
D514,936 S *	2/2006	Pace	.....	D9/504
D523,752 S *	6/2006	Bried	.....	D9/504
D524,989 S *	7/2006	Lombardi	.....	D28/82
D560,495 S *	1/2008	Mettler	.....	D28/91
D711,250 S *	8/2014	Henriksson	.....	D9/669
D722,404 S *	2/2015	Son	.....	D28/82

D722,405 S *	2/2015	Hwang	.....	D28/82
D732,740 S *	6/2015	Yoon	.....	D28/82
D756,790 S *	5/2016	Henriksson	.....	D9/504
D817,551 S *	5/2018	Montoli	.....	A45D 33/008
				D28/82
D845,790 S *	4/2019	Straughan	.....	D9/772
D852,647 S *	7/2019	Burditt	.....	D9/746
D926,381 S *	7/2021	Sun	.....	D28/82
2017/0305642 A1 *	10/2017	Kang	.....	A45D 34/04
2017/0347775 A1 *	12/2017	Lee	.....	A45D 33/008
2019/0281948 A1 *	9/2019	Eng	.....	A45D 33/06
2020/0085721 A1 *	3/2020	Nishida	.....	A61K 8/29

\* cited by examiner

*Primary Examiner* — Michael A. Pratt

(57) **CLAIM**

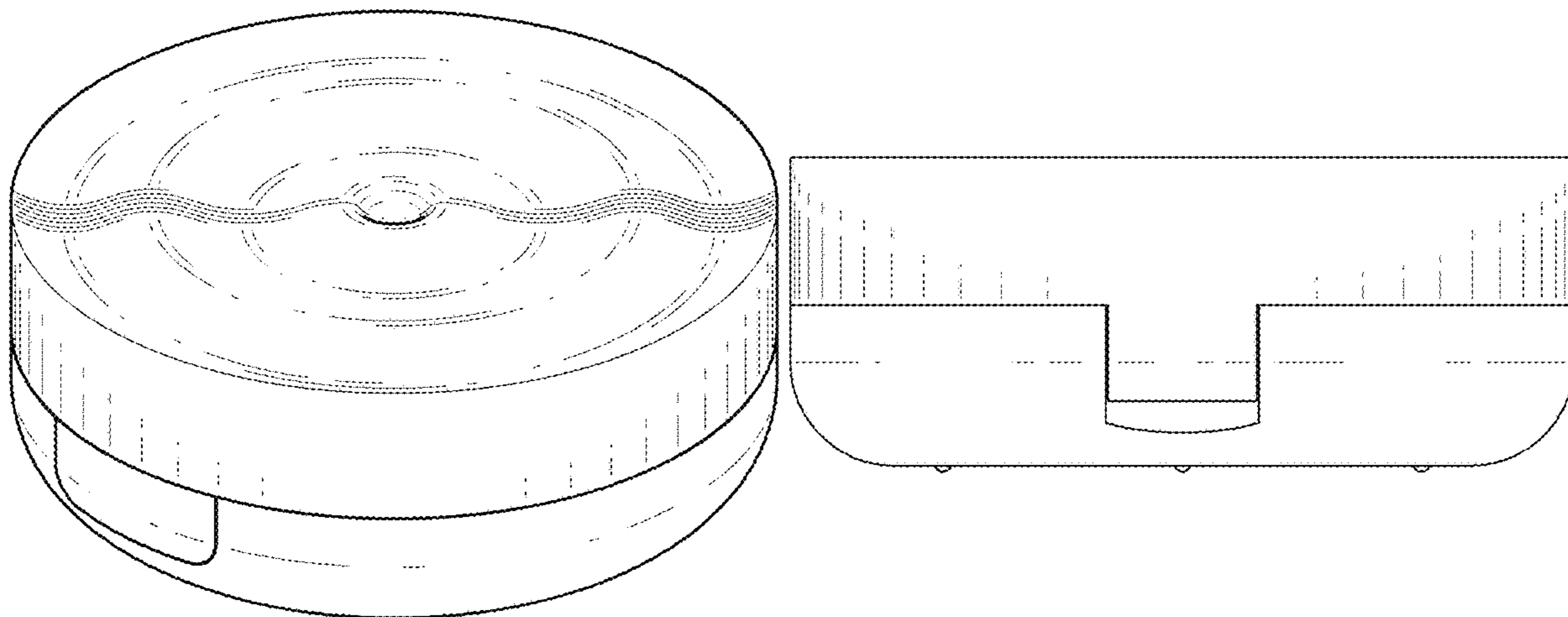
The ornamental design for compact container for cosmetics, as shown and described.

**DESCRIPTION**

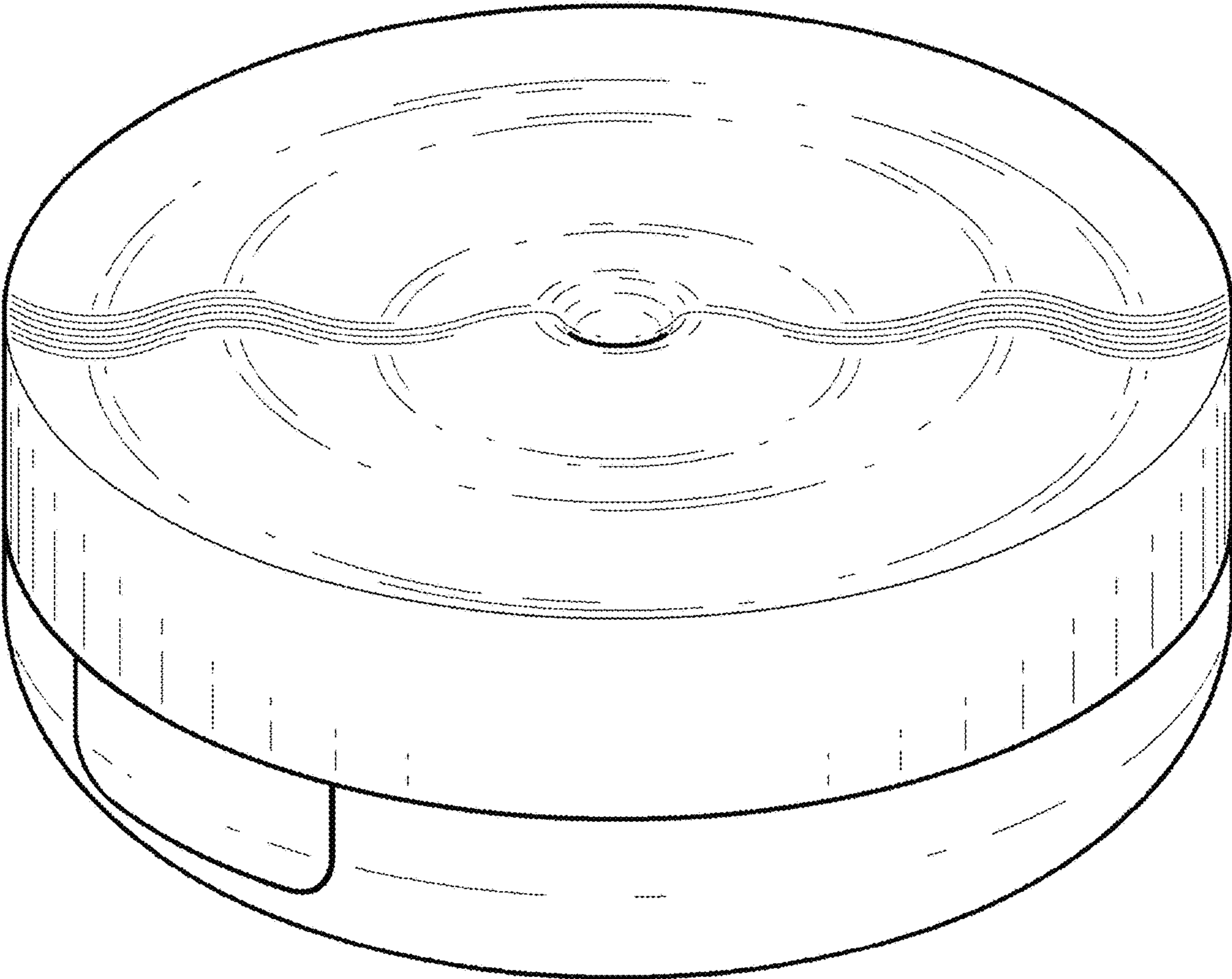
- 1. Compact container for cosmetics
- 1.1 : Perspective
- 1.2 : Front
- 1.3 : Back
- 1.4 : Left
- 1.5 : Right
- 1.6 : Top
- 1.7 : Bottom

Materials include metal and a synthetic resin material; the subject design is a compact container used for storage of cosmetics; fig. 1.1 illustrates a perspective view of subject design; fig. 1.2 illustrates a front view of the subject design; fig. 1.3 illustrates a rear view of the subject design; fig. 1.4 illustrates a left side view of the subject design; fig. 1.5 illustrates a right side view of the subject design; fig. 1.6 illustrates a top view of the subject design; fig. 1.7 illustrates a bottom view of the subject design.

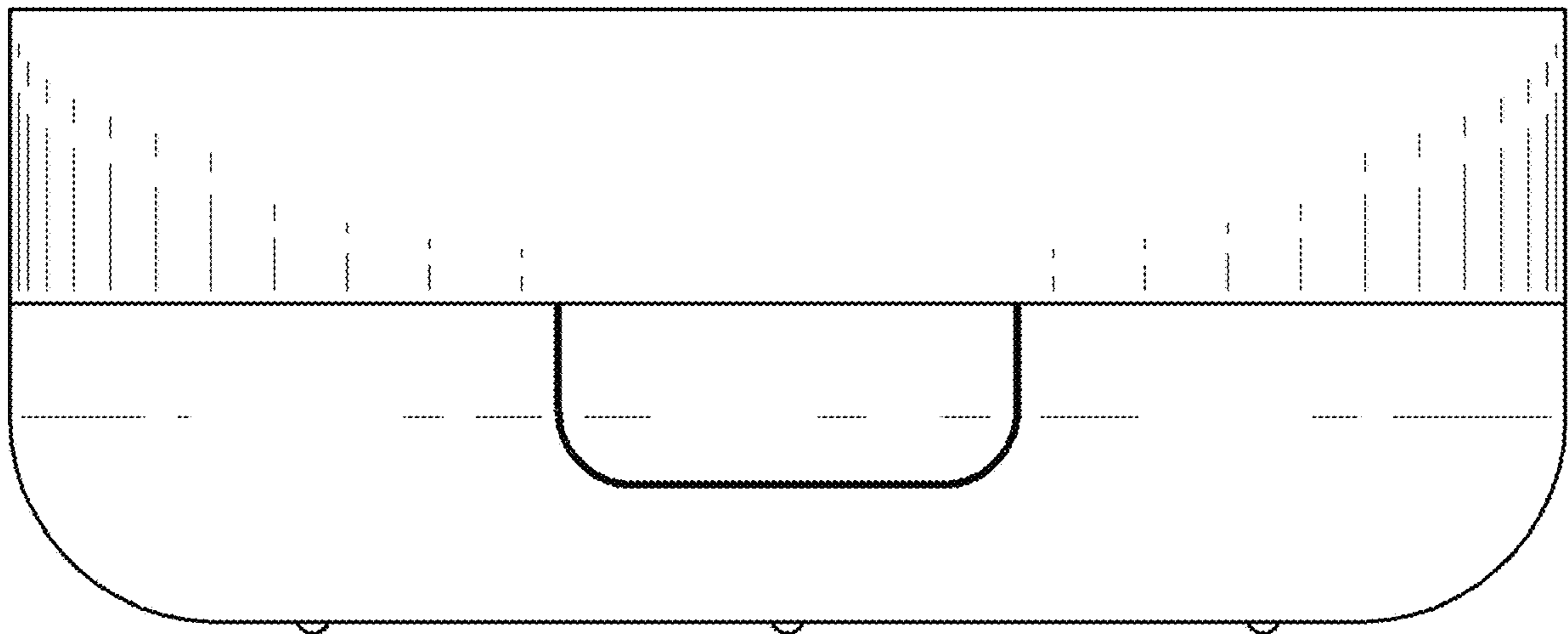
**1 Claim, 7 Drawing Sheets**



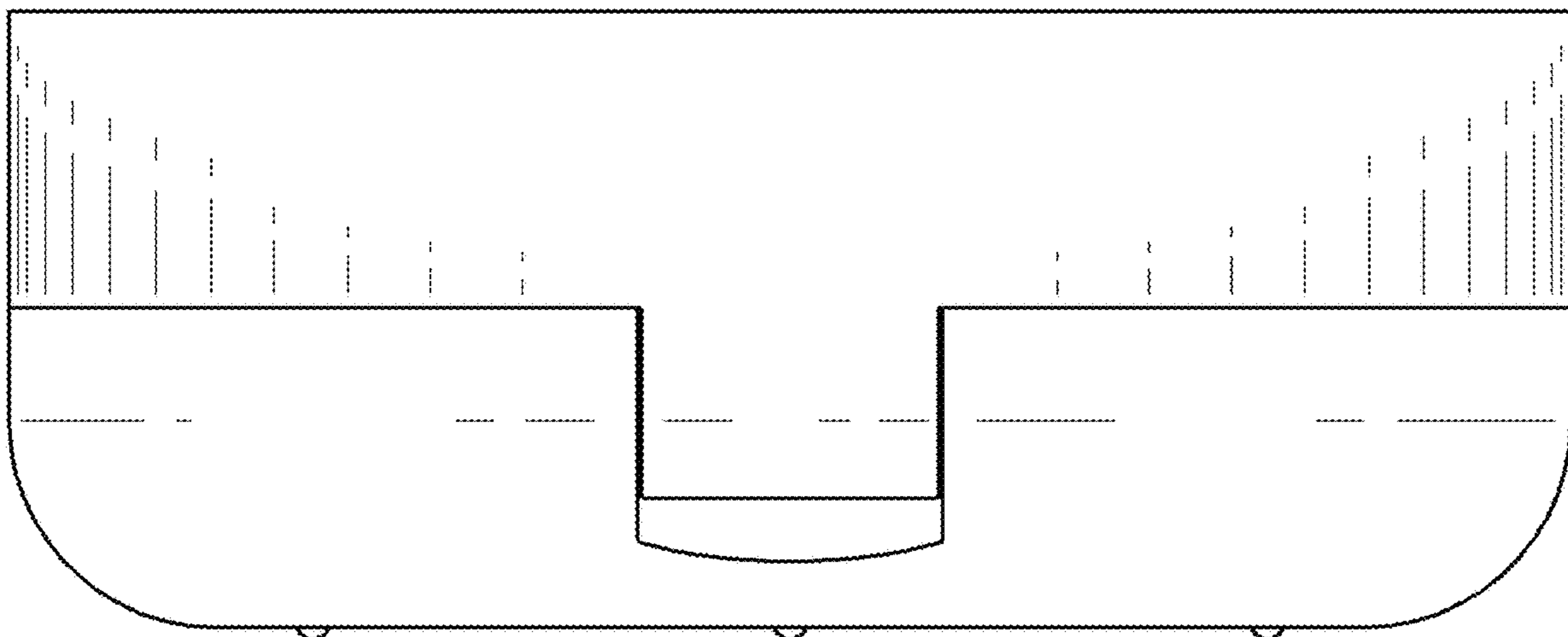
1.1



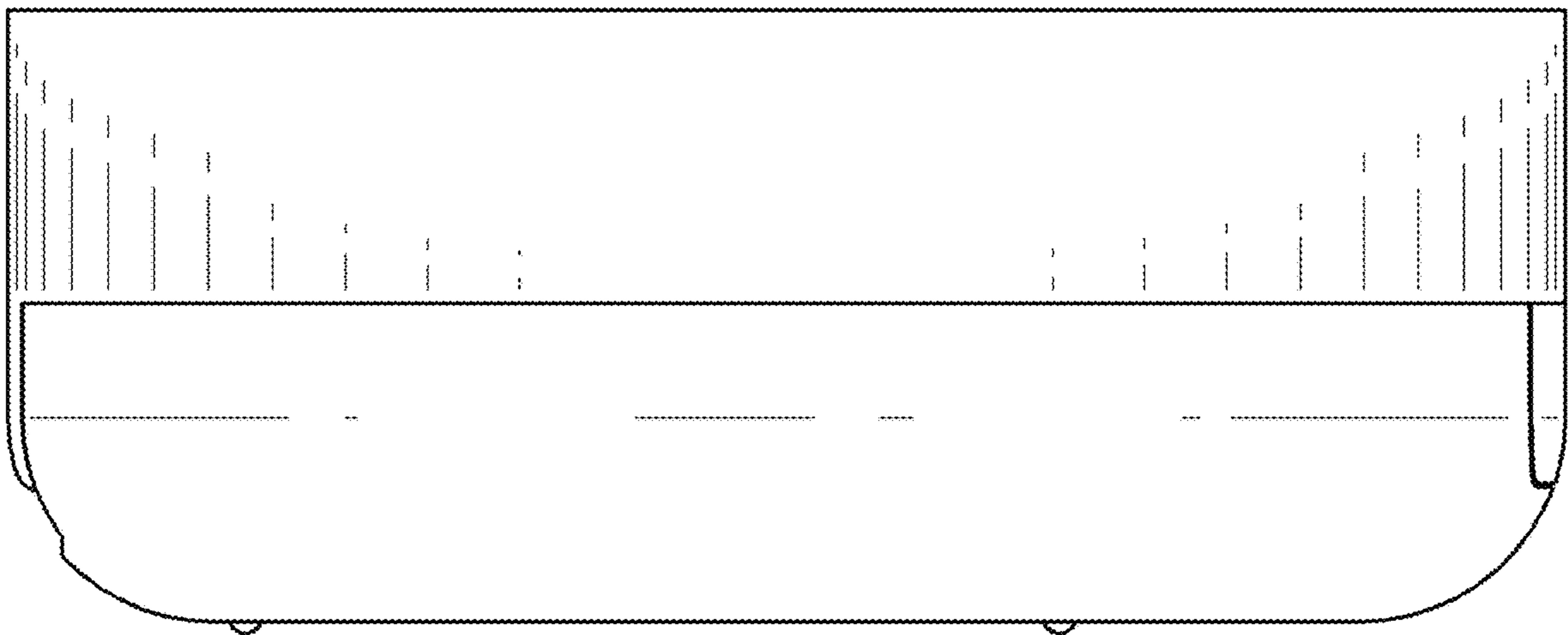
1.2



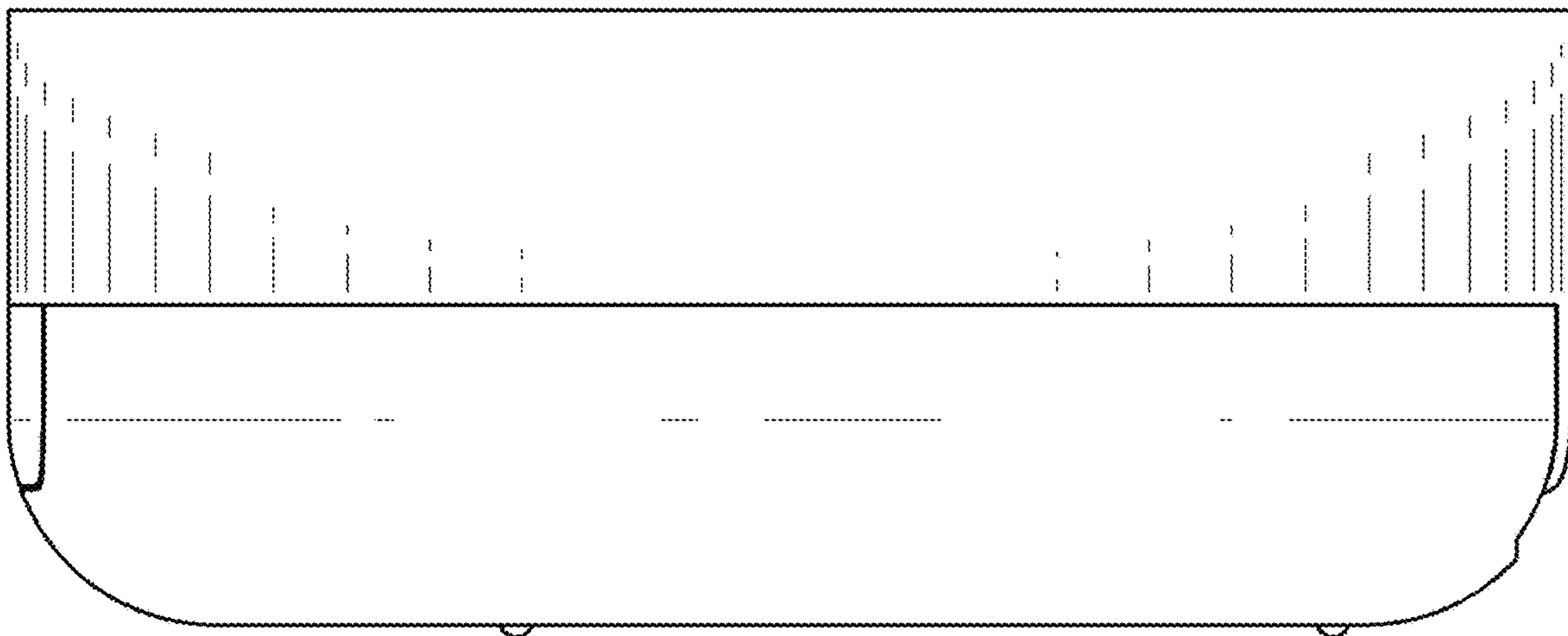
1.3



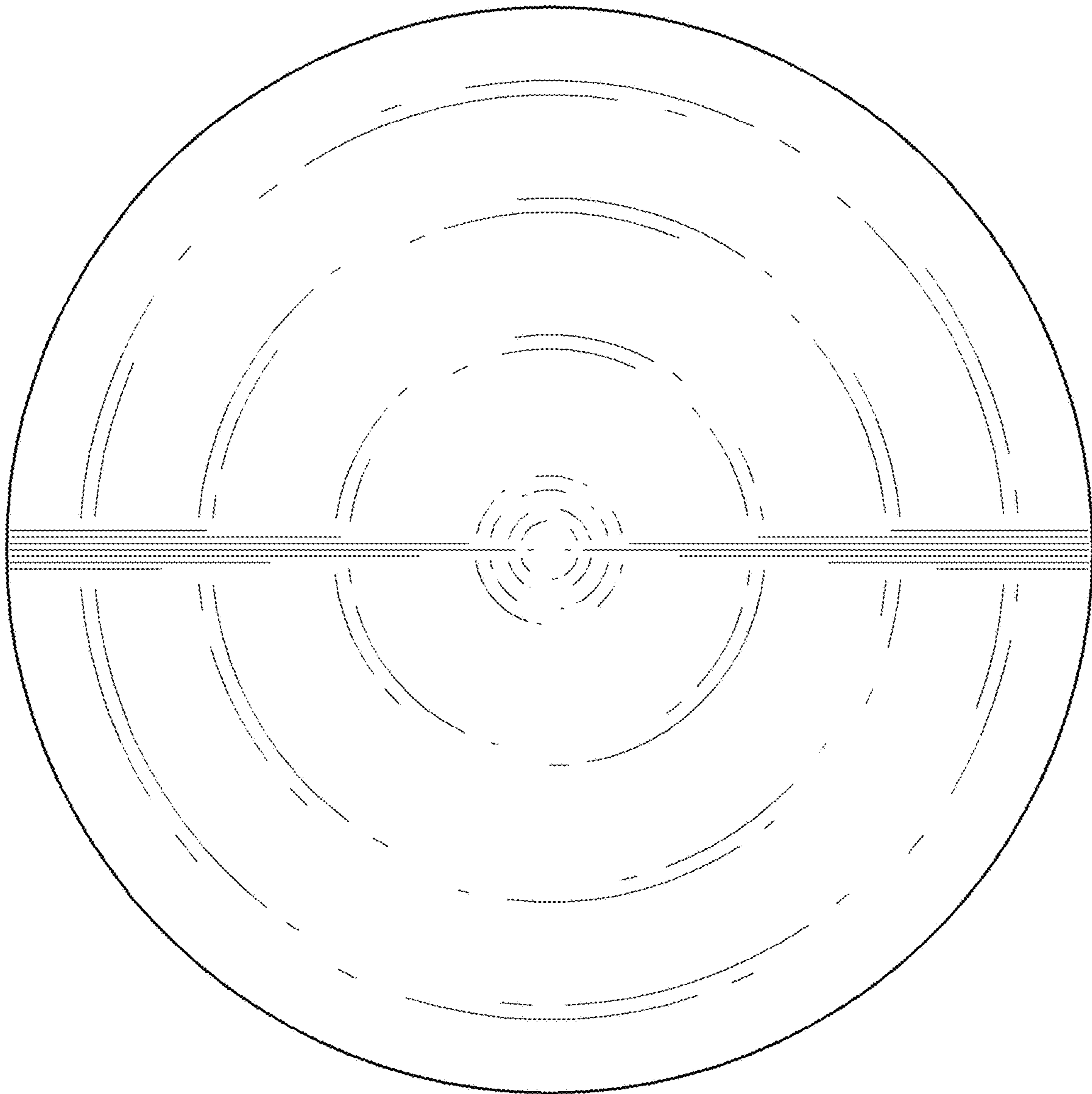
1.4



1.5



1.6



1.7

