



US00D945074S

(12) **United States Design Patent** (10) **Patent No.:** **US D945,074 S**  
**Fischer et al.** (45) **Date of Patent:** **\*\* Mar. 1, 2022**

(54) **EYE LINER**

(71) Applicants: **Lida Djarar Fischer**, Los Angeles, CA  
(US); **Robijn Fischer**, Los Angeles, CA  
(US)

(72) Inventors: **Lida Djarar Fischer**, Los Angeles, CA  
(US); **Robijn Fischer**, Los Angeles, CA  
(US)

(\*\*) Term: **15 Years**

(21) Appl. No.: **29/716,350**

(22) Filed: **Dec. 9, 2019**

**Related U.S. Application Data**

(63) Continuation of application No. 35/505,579, filed on Jul. 31, 2018 (U.S. filing date under 35 U.S.C. 384), and having an international filing date of Jul. 31, 2018, now abandoned.

(51) **LOC (13) Cl.** ..... **28-03**

(52) **U.S. Cl.**  
USPC ..... **D28/76**

(58) **Field of Classification Search**  
USPC ..... D28/4, 7, 8, 76, 77, 99; D19/101, 115, D19/116, 117, 118, 119, 120, 121, 122, D19/123, 124, 125, 126, 192, 66, 191, D19/190; D9/723-725, 726-727  
CPC ..... A45D 2200/1072; A45D 2200/10; A45D 2200/1018; A45D 2200/1027; A45D 2200/1036; A45D 2200/1045  
See application file for complete search history.

(56) **References Cited**

**U.S. PATENT DOCUMENTS**

D11,069 S 3/1879 Clark  
D155,043 S \* 8/1949 Serra ..... D9/504  
D188,575 S \* 8/1960 Zierhut ..... D19/177  
D373,219 S \* 8/1996 Gavin ..... D28/76

D406,921 S \* 3/1999 Roeder ..... D28/7  
D415,859 S 10/1999 Gobe  
D416,578 S \* 11/1999 Paras ..... D19/179  
(Continued)

**FOREIGN PATENT DOCUMENTS**

CN 201330421376 8/2013  
CN 201630582197 \* 11/2016  
(Continued)

**OTHER PUBLICATIONS**

Amazon, Barry M Cosmetics Liquid Eyeliner, posted Sep. 28, 2015, [online], [visited Apr. 29, 2021]. Internet, <URL: <https://www.amazon.co.uk/Barry-Cosmetics-Define-Longlasting-Eyeliner/dp/B015WQ4BC4/ref>> (Year: 2015).\*

(Continued)

*Primary Examiner* — Sheryl Lane  
*Assistant Examiner* — Samantha N Wood  
(74) *Attorney, Agent, or Firm* — Leason Ellis LLP

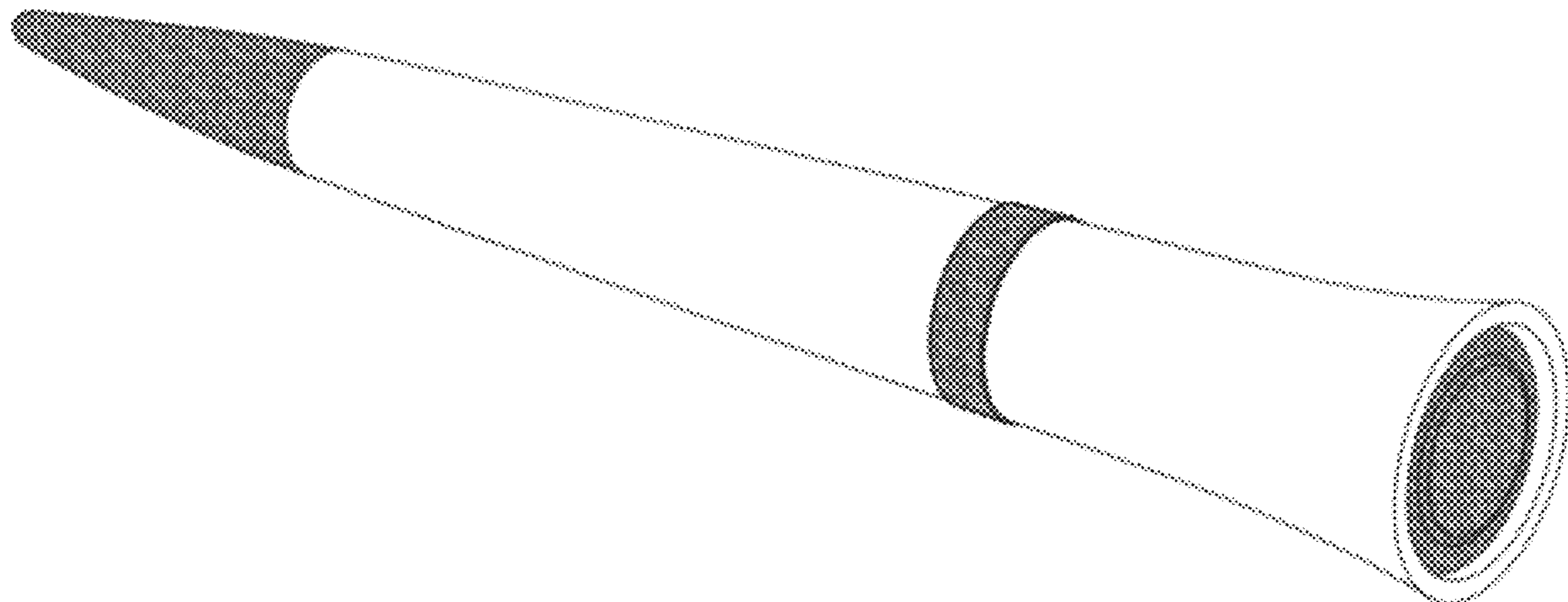
(57) **CLAIM**

The ornamental design for an eye liner, as shown and described.

**DESCRIPTION**

FIG. 1 is a left side perspective view of an eye liner showing my new ornamental design;  
FIG. 2 is a left side elevation view thereof, the right side being a mirror image thereof;  
FIG. 3 is a top plan view thereof; and,  
FIG. 4 is a bottom plan view thereof.  
The stippling in the figures, including their respective densities, is a figurative effect meant to portray contrast in appearance of one area of the claimed design from another, without claiming any particular color or pattern, and the stippling can represent an area formed of a material has a greater degree of reflectivity relative the other surrounding areas.

**1 Claim, 3 Drawing Sheets**



(56)

References Cited

U.S. PATENT DOCUMENTS

|              |     |         |                 |             |
|--------------|-----|---------|-----------------|-------------|
| D424,115     | S * | 5/2000  | Kuboshima ..... | D19/182     |
| D535,441     | S * | 1/2007  | Maddy .....     | D28/76      |
| D591,909     | S   | 5/2009  | Damkjaer        |             |
| D624,964     | S   | 10/2010 | Widstrom        |             |
| D754,922     | S   | 4/2016  | Schroft         |             |
| D805,688     | S   | 12/2017 | Simon           |             |
| 2014/0360528 | A1  | 12/2014 | Alshaibi        |             |
| 2017/0006998 | A1* | 1/2017  | Liu .....       | A45D 34/04  |
| 2017/0049214 | A1* | 2/2017  | Pope .....      | A45D 40/264 |

FOREIGN PATENT DOCUMENTS

|    |               |           |
|----|---------------|-----------|
| CN | 201730442498  | 9/2017    |
| KR | 3020010021847 | * 8/2001  |
| KR | 3020060010007 | * 3/2006  |
| KR | 3020060050936 | * 12/2006 |
| KR | 3020060050937 | * 12/2006 |

OTHER PUBLICATIONS

Amazon, L'Oreal Paradise Superliner Kajal, posted Aug. 7, 2017, [online], [visited Apr. 29, 2021]. Internet, <URL: <https://www.amazon.co.uk/LOr%C3%A9al-Paradise-Superliner-Kajal-Black/dp/B071P2MTSY/ref=>> (Year: 2017).\*

Amazon, Maybelline New York Eye Liner, posted May 28, 2014, [online], [visited Apr. 29, 2021]. Internet, <URL: <https://www.amazon.co.uk/Maybelline-Studio-Master-Glossy-Liquid/dp/B00AZQLPNU/ref=>> (Year: 2014).\*

Amazon, SMILEQ Eyeliner, posted Jun. 12, 2017, [online], [visited May 24, 2019]. Internet, URL: [https://www.amazon.co.uk/SMILEQ-Bauty-Metallic-Eyeshadow-Waterproof/dp/B07G52WHGN/ref=olp\\_product\\_details?\\_encoding=UTF8&me=](https://www.amazon.co.uk/SMILEQ-Bauty-Metallic-Eyeshadow-Waterproof/dp/B07G52WHGN/ref=olp_product_details?_encoding=UTF8&me=) (Year: 2017).

Amazon, Revlon Liquid Liner, posted Aug. 5, 2014, [online], [visited May 24, 2019]. Internet, URL: [https://www.amazon.co.uk/Revlon-ColorStay-Liquid-Liner-Blackest/dp/B003HLMP4I/ref=olp\\_product\\_details?\\_encoding=UTF8&me=](https://www.amazon.co.uk/Revlon-ColorStay-Liquid-Liner-Blackest/dp/B003HLMP4I/ref=olp_product_details?_encoding=UTF8&me=) (Year: 2014).

\* cited by examiner

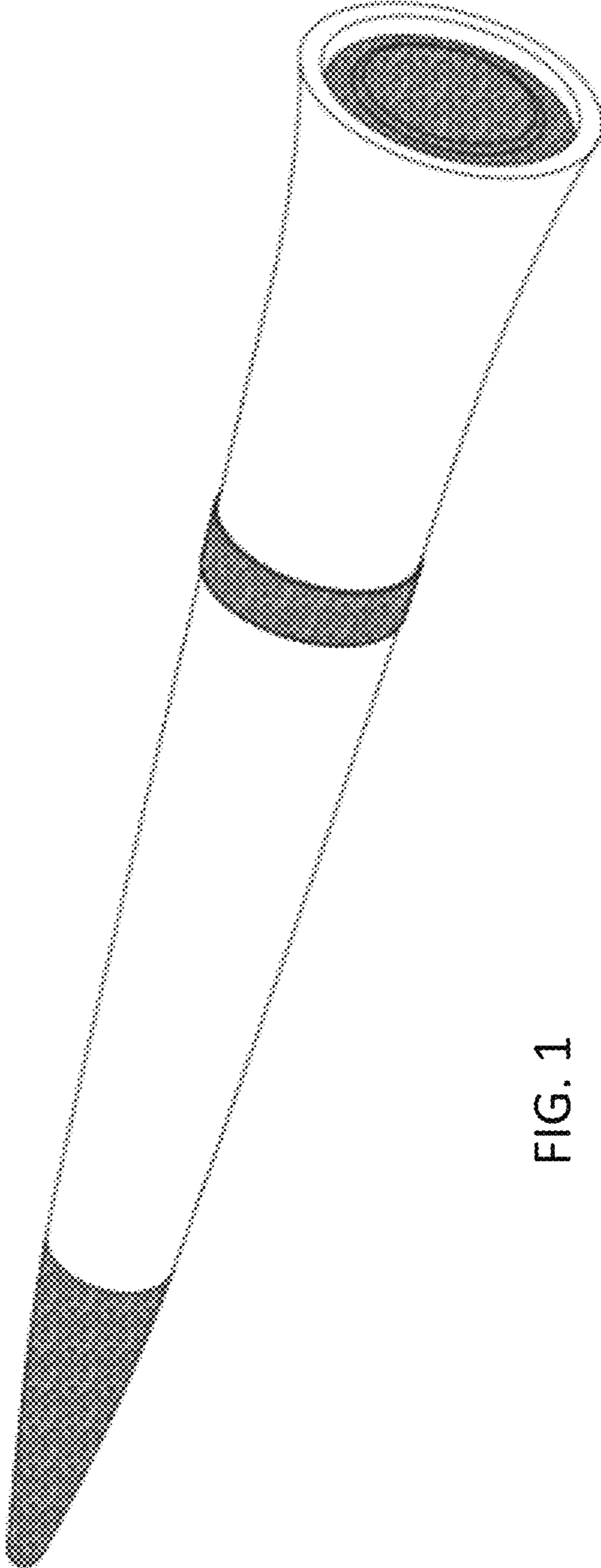


FIG. 1

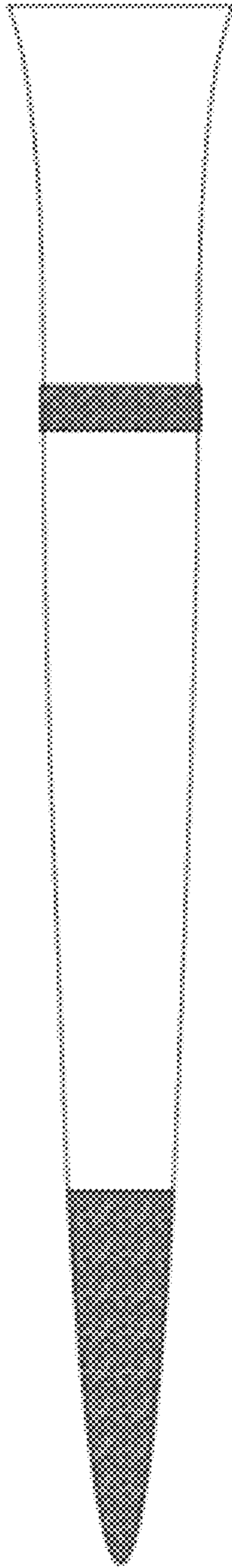


FIG. 2

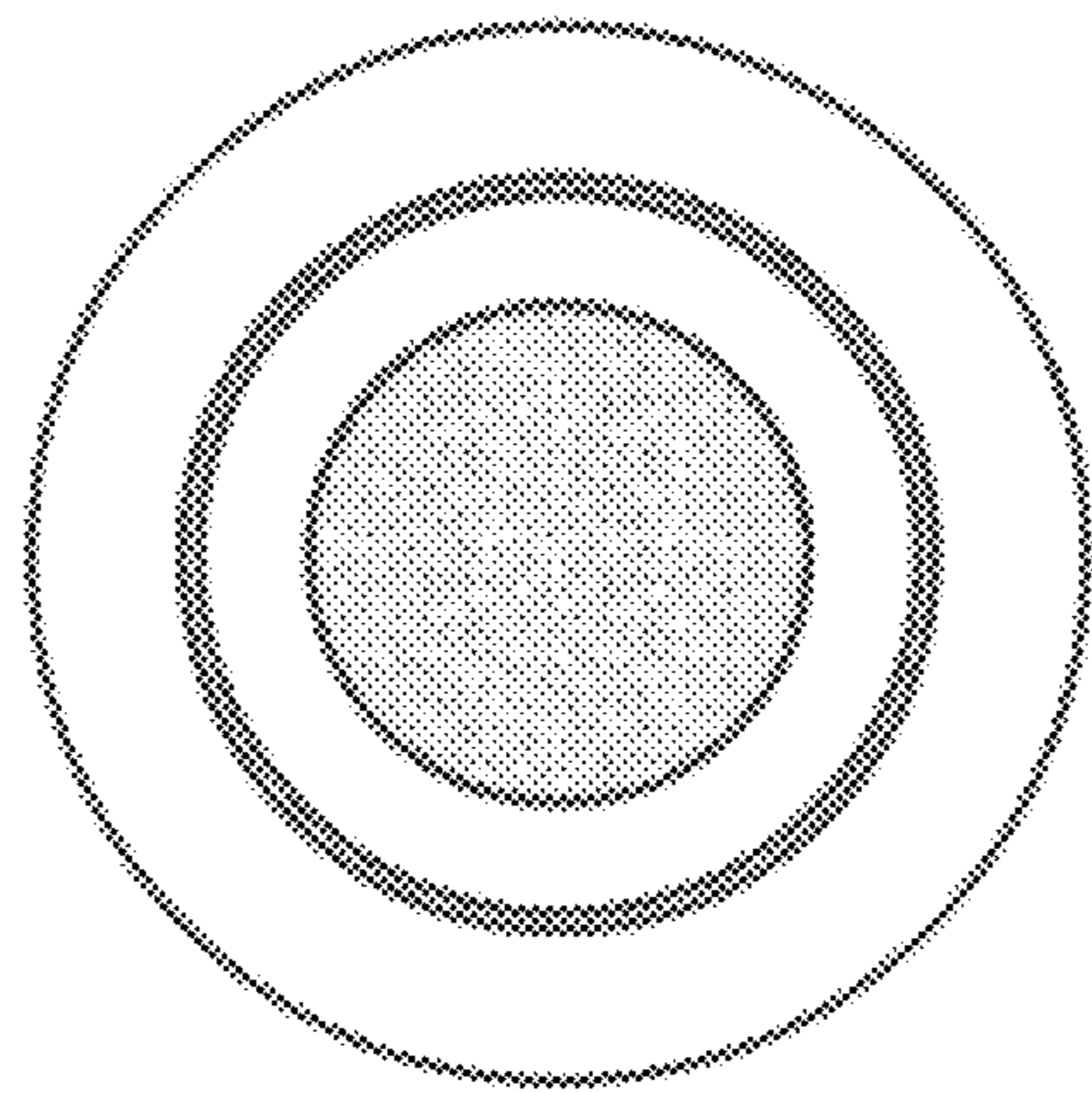


FIG. 3

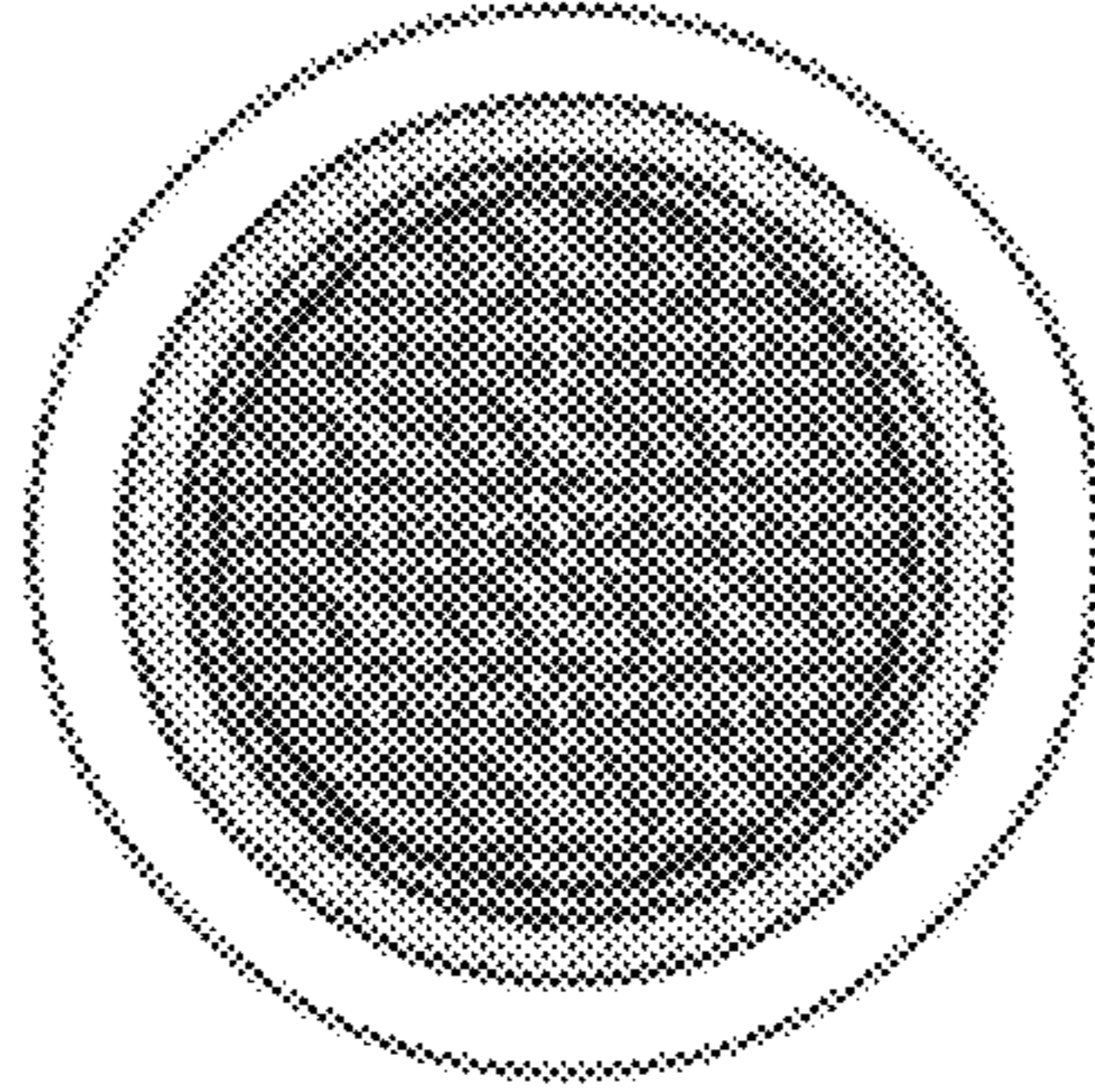


FIG. 4