



US00D945063S

(12) **United States Design Patent** (10) **Patent No.:** **US D945,063 S**
Ahn (45) **Date of Patent:** **** Mar. 1, 2022**

(54) **RAZOR CARTRIDGE**
(71) Applicant: **DORCO CO., LTD.**, Seoul (KR)
(72) Inventor: **Hyo Sun Ahn**, Seoul (KR)
(73) Assignee: **DORCO CO., LTD.**, Seoul (KR)
(**) Term: **15 Years**

(21) Appl. No.: **29/711,243**
(22) Filed: **Oct. 29, 2019**

(30) **Foreign Application Priority Data**

May 17, 2019 (KR) 30-2019-0023318

(51) **LOC (13) Cl.** **28-03**

(52) **U.S. Cl.**
USPC **D28/47**

(58) **Field of Classification Search**
USPC D28/46-48
CPC B26B 21/22-227; B26B 21/4012-4031;
B26B 21/4068

See application file for complete search history.

(56) **References Cited**

U.S. PATENT DOCUMENTS

D601,753 S * 10/2009 Cataudella D28/47
D602,634 S * 10/2009 Cataudella D28/46
D633,254 S * 2/2011 Witkus D28/47
D665,948 S * 8/2012 Jessemey D28/47
8,413,334 B2 * 4/2013 Walker, Jr. B26B 21/4025
30/50
10,155,320 B2 * 12/2018 Ren B26B 21/222
D843,058 S * 3/2019 Fyfield D28/46
10,464,228 B2 * 11/2019 Khubani B26B 21/405
D874,725 S * 2/2020 Riehle D28/46
D886,380 S * 6/2020 Washington D28/47
D890,429 S * 7/2020 Chae D28/47

D905,908 S * 12/2020 Washington D28/47
2003/0217470 A1 * 11/2003 Follo B26B 21/443
30/81
2020/0070375 A1 * 3/2020 Hurtado B26B 21/225

FOREIGN PATENT DOCUMENTS

WO DM/088 579 12/2015
WO DM/088579 12/2015

OTHER PUBLICATIONS

Russian Office Action dated Sep. 16, 2020 in corresponding Russian Patent Application No. 20190194. (2 pages in English and 2 pages in Russian).

* cited by examiner

Primary Examiner — Jennifer Rivard

(74) *Attorney, Agent, or Firm* — NSIP Law

(57) **CLAIM**

The ornamental design for a razor cartridge, as shown and described.

DESCRIPTION

FIG. 1 is a perspective view of a razor cartridge showing the new design;

FIG. 2 is a front view thereof;

FIG. 3 is a rear view thereof;

FIG. 4 is a left side view thereof and a right side view thereof is a mirror image of the left side view;

FIG. 5 is a top view thereof; and,

FIG. 6 is a bottom view thereof.

The evenly-dashed broken lines illustrate portions of the razor cartridge that form no part of the claimed design.

The dot dash broken lines in the figures represent a boundary of the claimed design and form no part thereof.

1 Claim, 6 Drawing Sheets

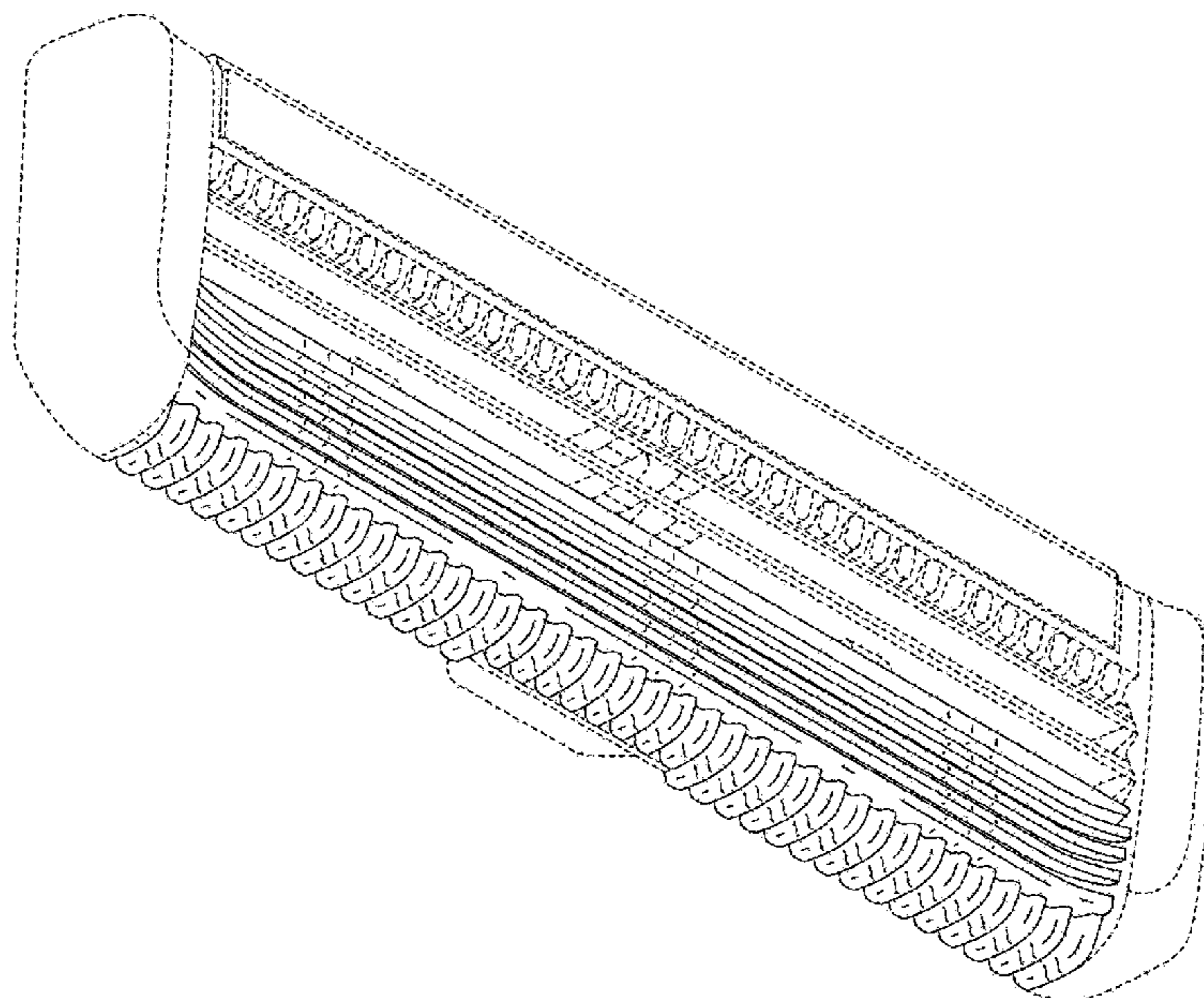


FIG. 1

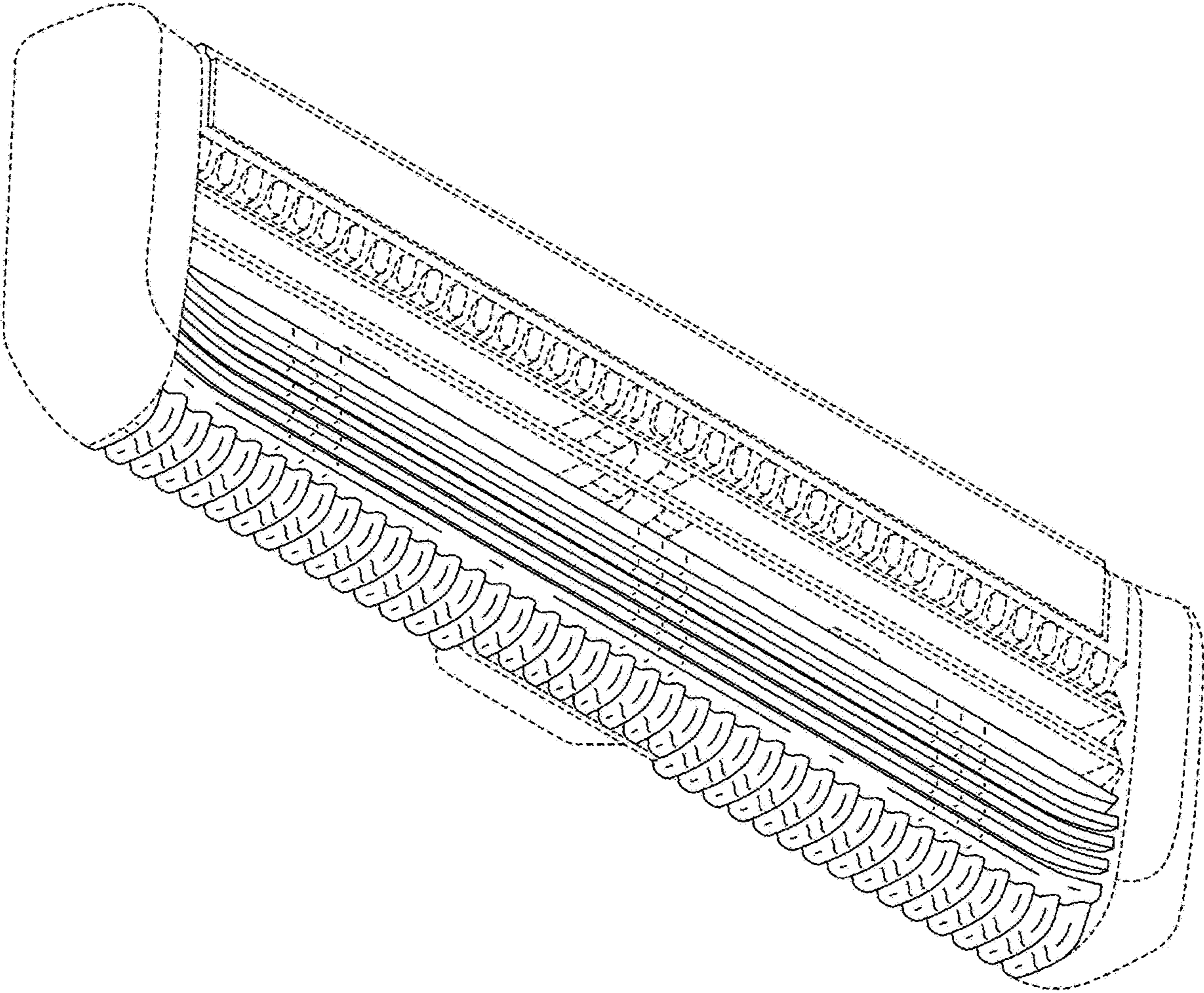


FIG. 2

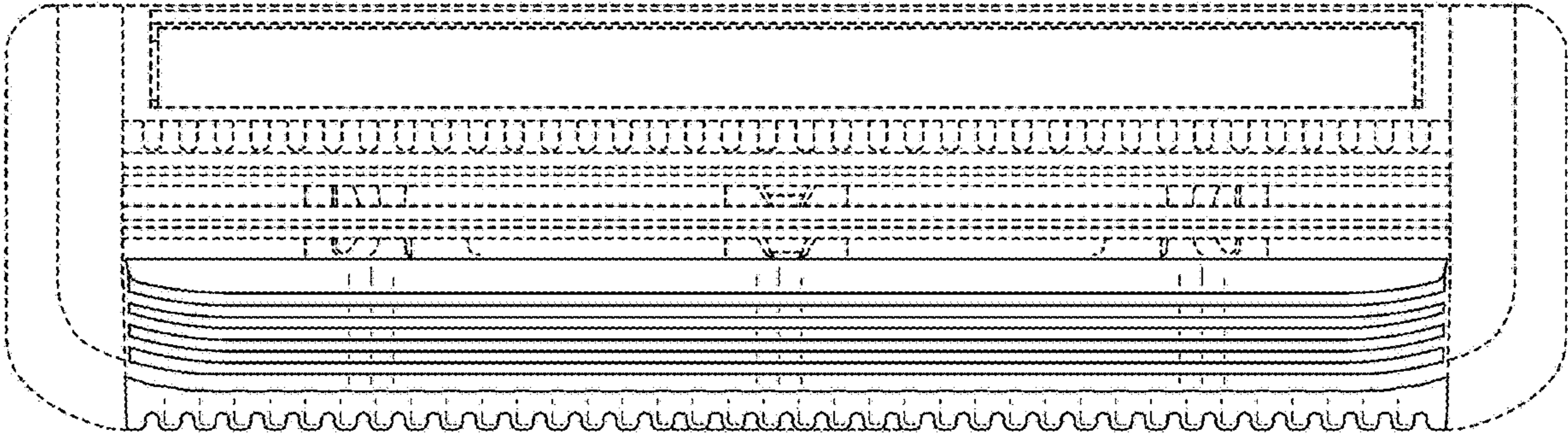


FIG. 3

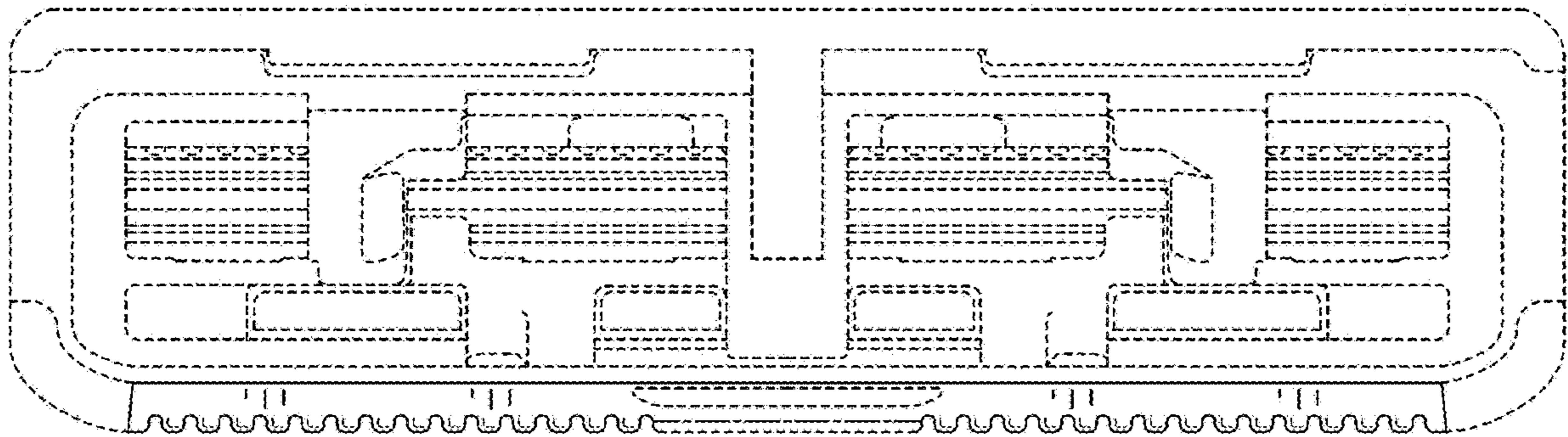


FIG. 4

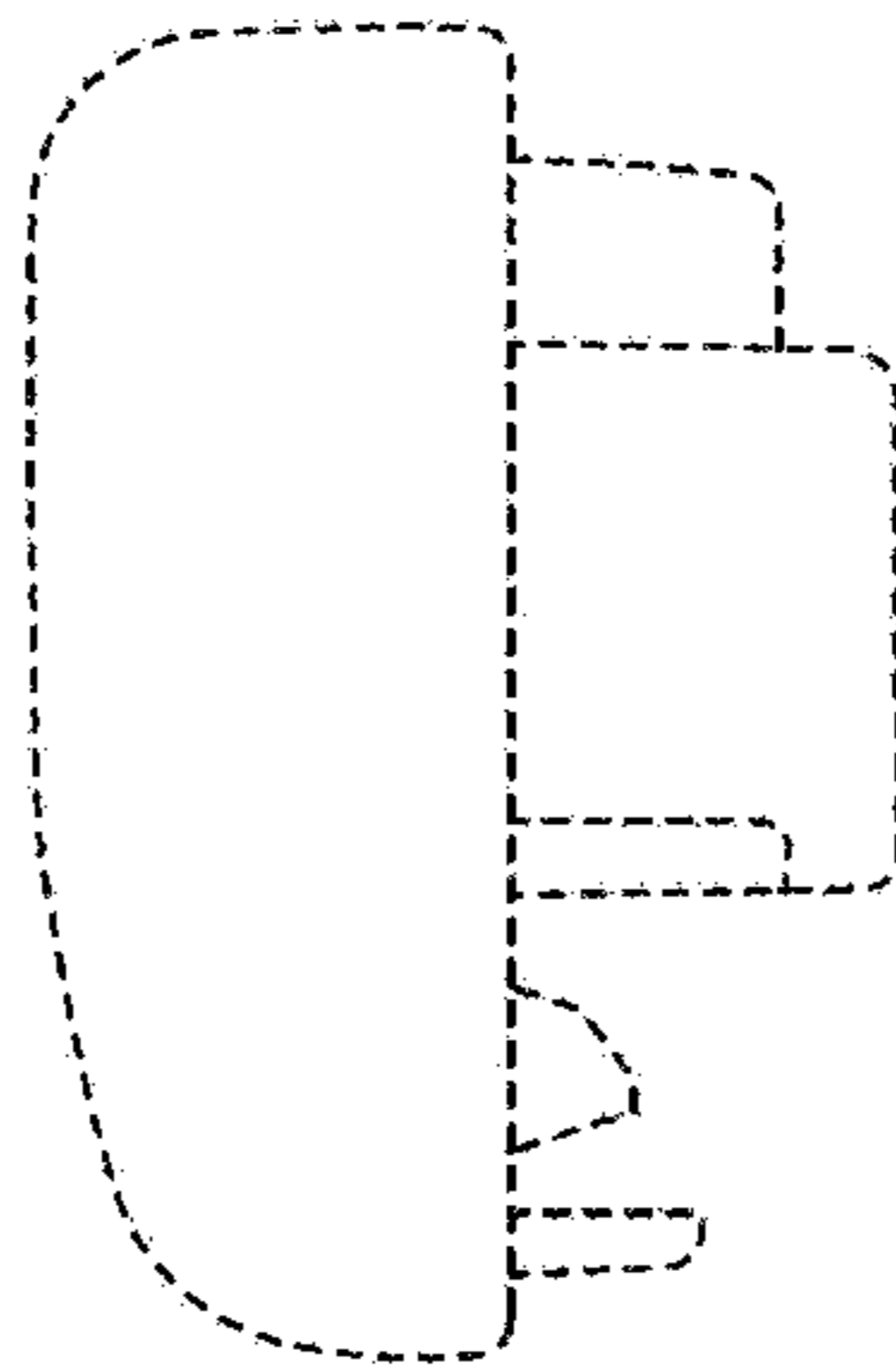


FIG. 5

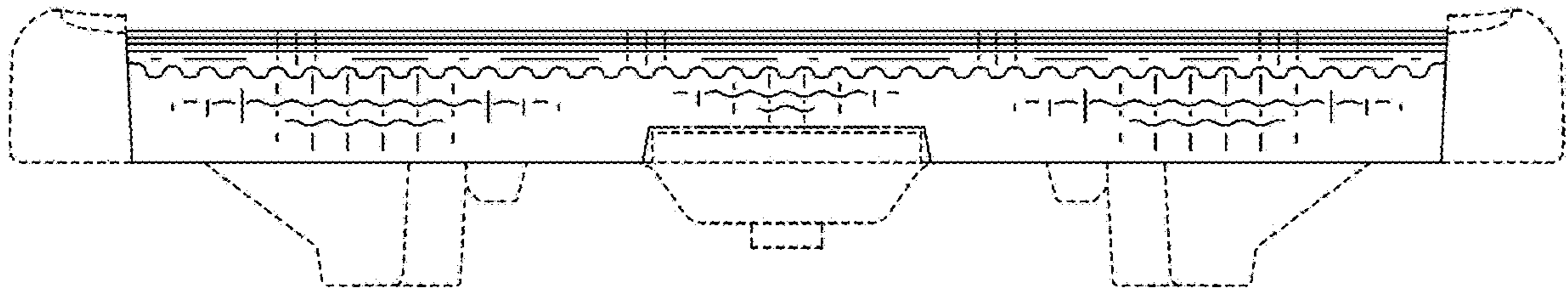


FIG. 6

