



US00D945060S

(12) **United States Design Patent** (10) **Patent No.:** **US D945,060 S**  
**Ou** (45) **Date of Patent:** **\*\* Mar. 1, 2022**

(54) **VIAL WITH HOOK**  
(71) Applicant: **R.Y.L. Inc.**, Commerce, CA (US)  
(72) Inventor: **Suk Hwan Ou**, Commerce, CA (US)  
(73) Assignee: **R.Y.L. INC.**, Commerce, CA (US)  
(\*\*) Term: **15 Years**  
(21) Appl. No.: **29/738,290**

D827,152 S \* 8/2018 Ou ..... D24/224  
D828,623 S \* 9/2018 Fornarelli ..... D27/194  
D861,241 S \* 9/2019 Han ..... D27/162  
D861,242 S \* 9/2019 Han ..... D27/162  
D862,795 S \* 10/2019 Caldas ..... D27/194  
D869,750 S \* 12/2019 Zhang ..... D27/162  
D869,751 S \* 12/2019 Zhang ..... D27/162  
D897,840 S \* 10/2020 Ou ..... D9/434  
D901,755 S \* 11/2020 Peirce ..... D27/101  
D910,230 S \* 2/2021 Peirce ..... D27/101  
D915,665 S \* 4/2021 Stevens ..... D27/162

(Continued)

(22) Filed: **Jun. 16, 2020**  
(51) **LOC (13) Cl.** ..... **27-02**  
(52) **U.S. Cl.**  
USPC ..... **D27/166**; D27/162; D27/167; D27/169  
(58) **Field of Classification Search**  
USPC ..... D27/100, 101, 102, 103, 105, 113, 114,  
D27/118, 125, 127, 128, 137, 138, 142,  
D27/144, 161, 162, 163, 164, 165, 166,  
D27/167, 168, 169, 170, 171, 172, 173,  
D27/174, 175, 176, 177, 178, 179, 180,  
D27/181, 182, 183, 184, 185, 186, 187,  
D27/188, 189, 190, 191, 192, 193, 194,  
D27/195, 196; D23/360, 362; D28/91.1;  
D24/110, 110.4-110.6, 113, 224  
CPC ..... A24F 1/30; A24F 1/32; A24F 1/02; A24F  
5/00; A24F 9/14  
See application file for complete search history.

**OTHER PUBLICATIONS**

Premium Glass One Hitter Pipes. By Ali Express. No Date. Found online [May 24, 2021]. <https://www.aliexpress.com/item/4001111266316.html> (Year: 2021).\*

(Continued)

*Primary Examiner* — Marissa J Cash  
*Assistant Examiner* — William B Melliar  
(74) *Attorney, Agent, or Firm* — Womble Bond Dickinson (US) LLP

(57) **CLAIM**

The ornamental design for a vial with hook, as shown and described.

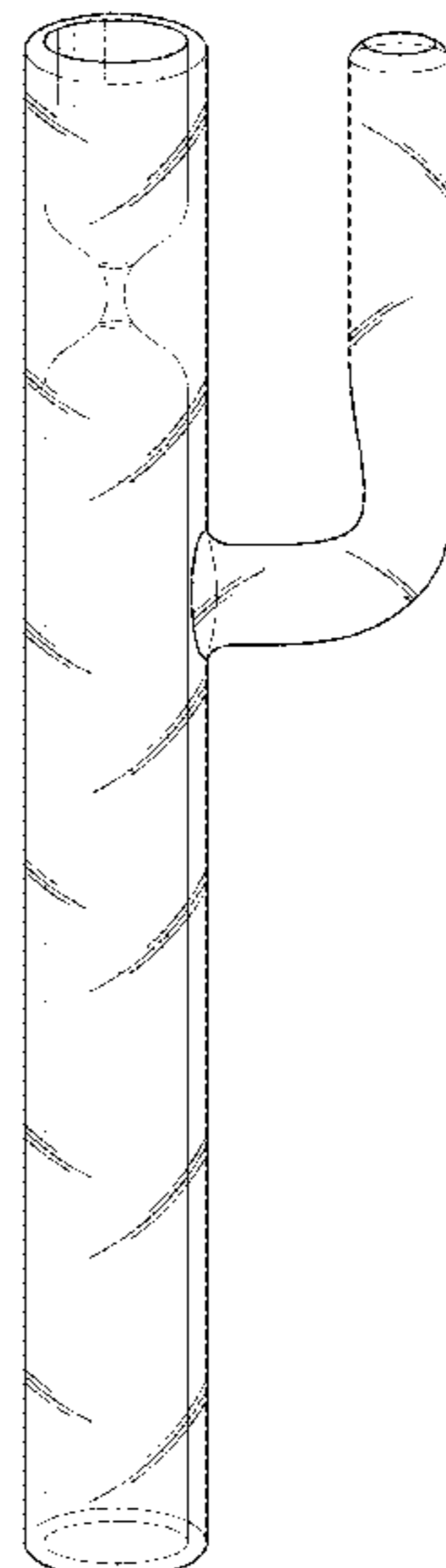
**DESCRIPTION**

FIG. 1 is a front, right side, top perspective view showing my new design;  
FIG. 2 is a right side elevational view thereof;  
FIG. 3 is a left side elevational view thereof;  
FIG. 4 is bottom plan view thereof;  
FIG. 5 is a top plan view thereof;  
FIG. 6 is front elevational view thereof;  
FIG. 7 is a rear elevational view thereof; and,  
FIG. 8 is cross-sectional view thereof taken along line 8-8 of FIG. 6.

(56) **References Cited**  
U.S. PATENT DOCUMENTS

D230,897 S \* 3/1974 Edwards ..... D24/110  
3,863,649 A \* 2/1975 Scharfy ..... A24F 1/00  
131/192  
D246,603 S \* 12/1977 Frost ..... D27/163  
D246,604 S \* 12/1977 Frost ..... D27/163  
D427,691 S \* 7/2000 Asselta ..... D24/224  
D554,763 S \* 11/2007 Gerretz ..... D24/224  
D814,103 S \* 3/2018 Levinson ..... D27/101  
D825,838 S \* 8/2018 Abroff ..... D27/101

**1 Claim, 5 Drawing Sheets**



(56)

**References Cited**

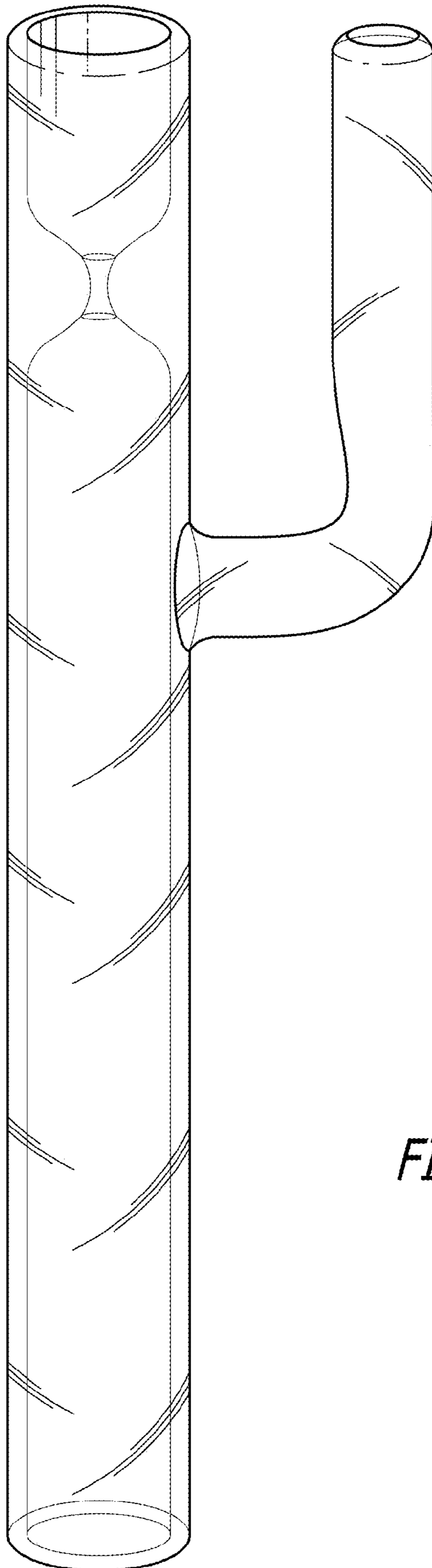
U.S. PATENT DOCUMENTS

D916,364 S \* 4/2021 Li ..... D27/162  
2020/0315258 A1 \* 10/2020 Yuan ..... A24F 40/70

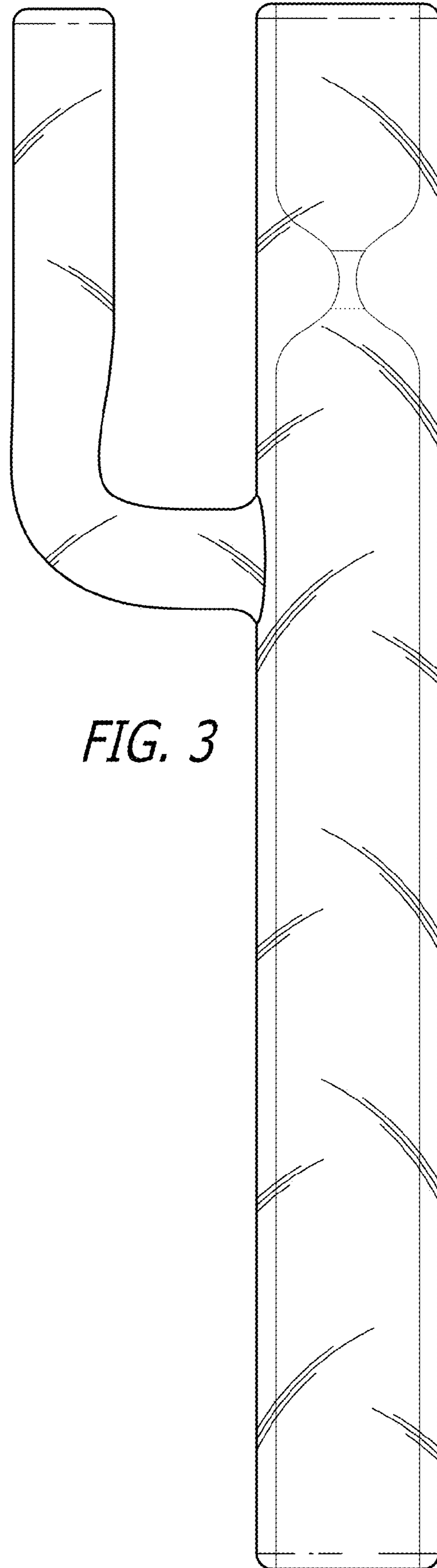
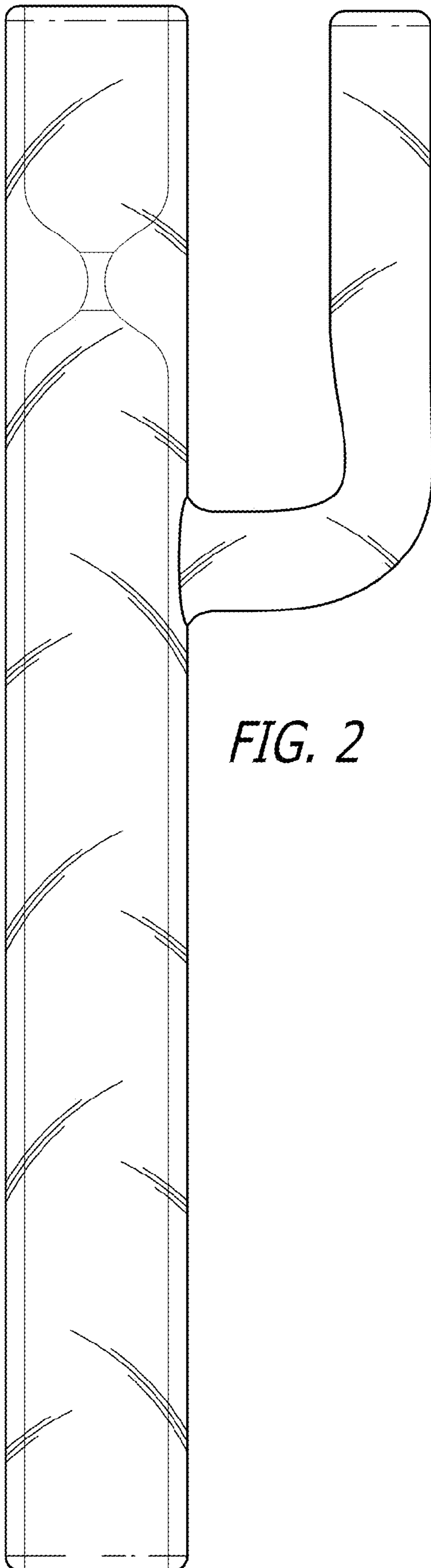
OTHER PUBLICATIONS

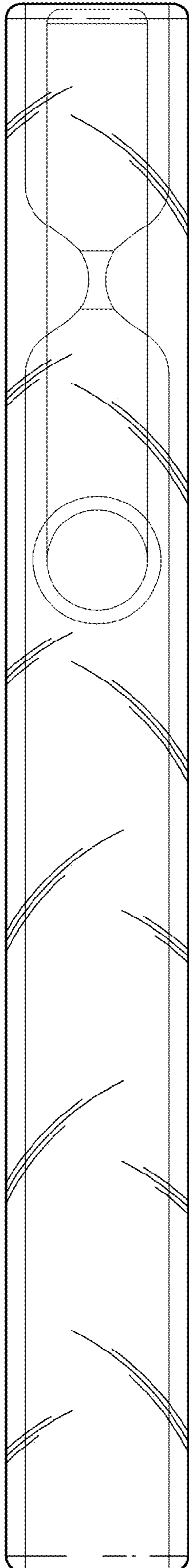
Flute Pipe Bong Accessories. By DH Gate. No Date. Found online  
[May 24, 2021]. <https://www.dhgate.com/product/flute-pipe-bongs-accessories-oil-burner-glass/401856507.html> (Year: 2021).\*

\* cited by examiner

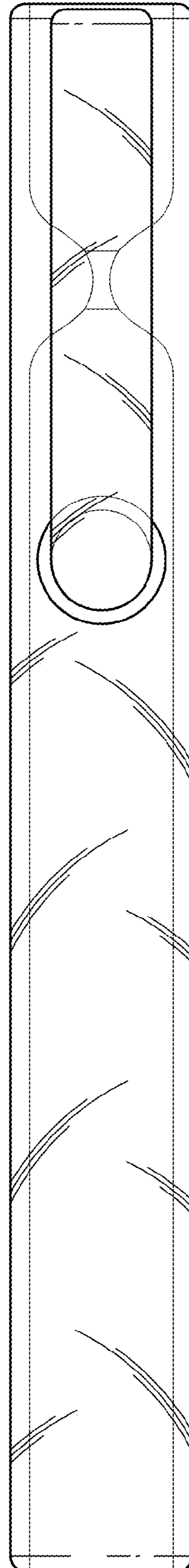


*FIG. 1*

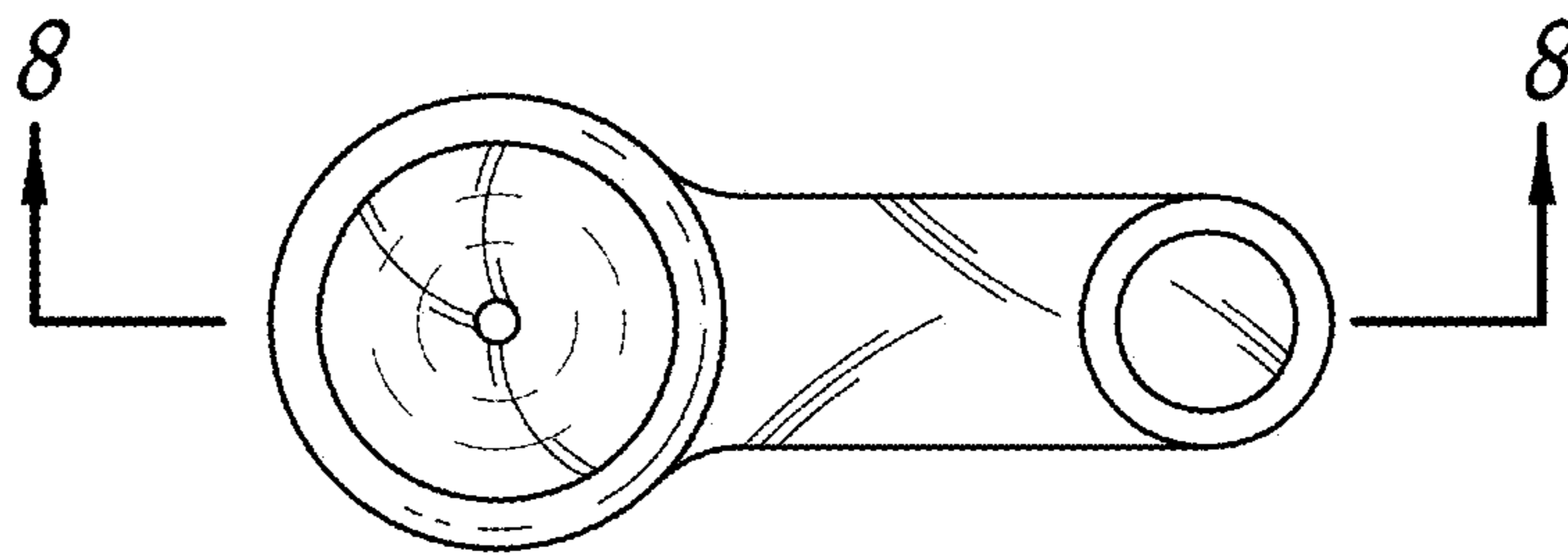




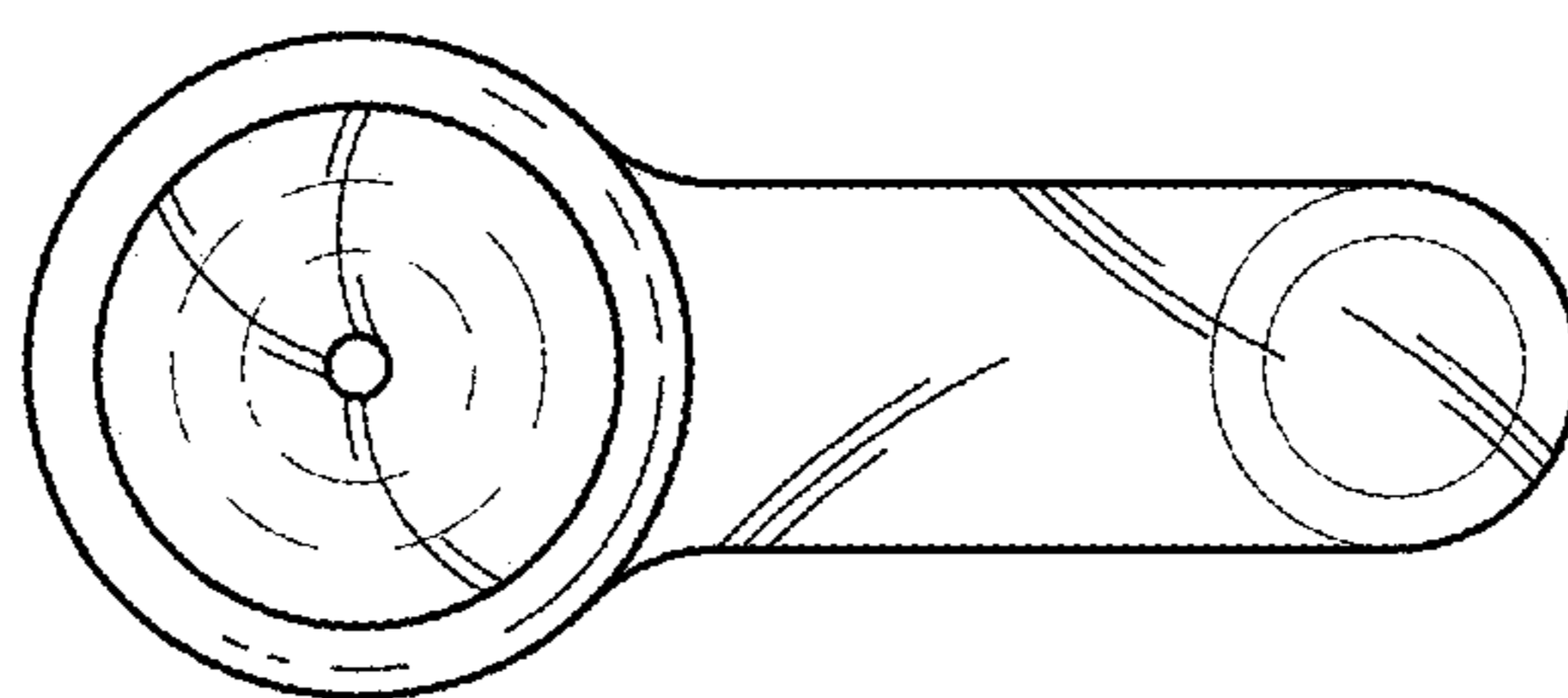
*FIG. 4*



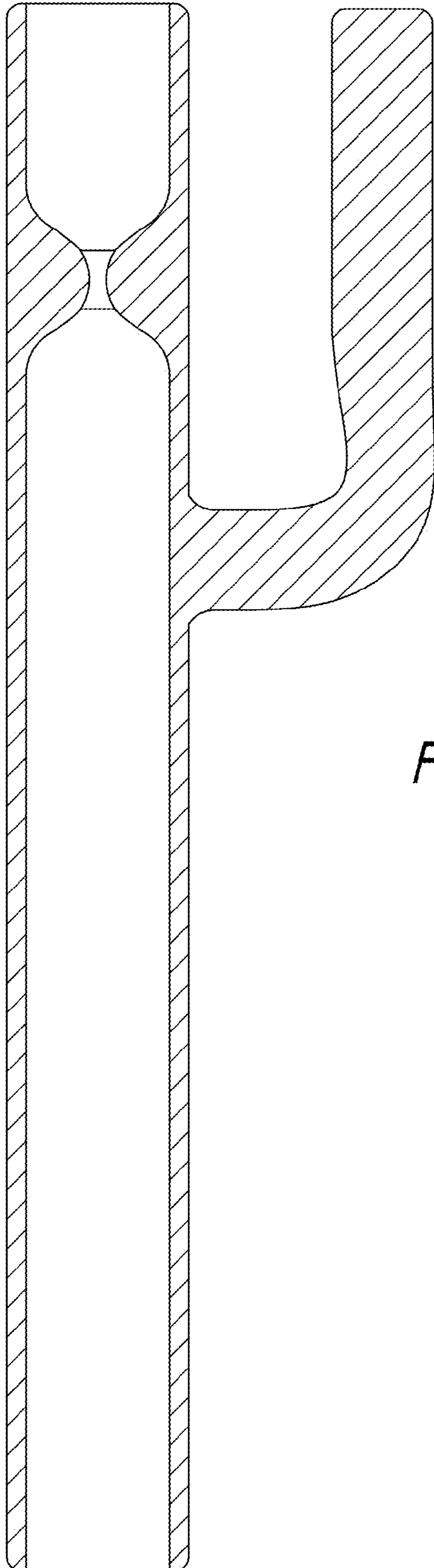
*FIG. 5*



*FIG. 6*



*FIG. 7*



*FIG. 8*