



US00D945055S

(12) **United States Design Patent**  
**Chen**

(10) **Patent No.:** **US D945,055 S**

(45) **Date of Patent:** **\*\* \*Mar. 1, 2022**

- (54) **ASHTRAY**
- (71) Applicant: **Ningbo Motorman E-commerce Co., Ltd., Ningbo (CN)**
- (72) Inventor: **Weizhen Chen, Ningbo (CN)**
- (73) Assignee: **Ningbo Motorman e-Commerce Co., Ltd., Ningbo (CN)**
- (\*) Notice: This patent is subject to a terminal disclaimer.
- (\*\*) Term: **15 Years**
- (21) Appl. No.: **29/674,038**
- (22) Filed: **Dec. 19, 2018**
- (51) **LOC (13) Cl.** ..... **27-03**
- (52) **U.S. Cl.**  
USPC ..... **D27/107**
- (58) **Field of Classification Search**  
USPC ..... D27/118, 102, 105, 106, 108, 133-136,  
D27/138, 172, 183; D34/1, 7, 9;  
131/231, 240, 240.1, 241, 242  
CPC ..... A24F 15/08; A24F 15/00; A24F 15/02  
See application file for complete search history.

- D489,502 S \* 5/2004 Stewart ..... D34/7
- 7,073,515 B2 \* 7/2006 Mayfield ..... A24F 19/0085  
131/231
- D526,436 S \* 8/2006 Tse ..... D27/105
- D551,386 S \* 9/2007 Dayan ..... D27/105
- D555,863 S \* 11/2007 Weiss ..... D34/1
- D737,503 S \* 8/2015 Now ..... D27/172
- D759,890 S 6/2016 Yanagida
- D825,879 S \* 8/2018 Li ..... D34/7

\* cited by examiner

*Primary Examiner* — Manpreet S Matharu  
*Assistant Examiner* — Rebecca Tsehaye  
 (74) *Attorney, Agent, or Firm* — Craft Chu PLLC;  
 Andrew W. Chu

(57) **CLAIM**

The ornamental design for an ashtray, as shown and described.

**DESCRIPTION**

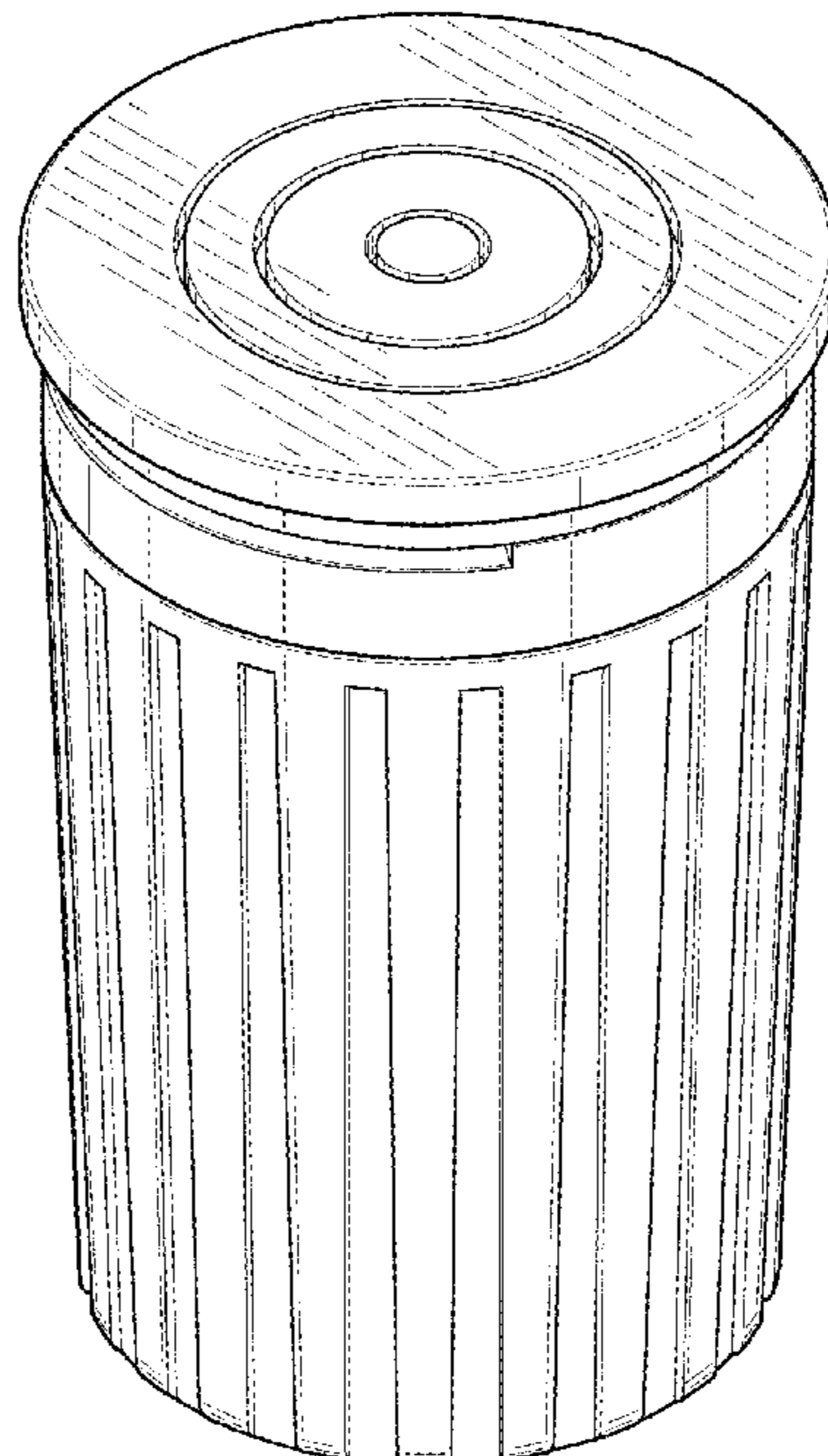
FIG. 1 is an upper perspective view of the ashtray showing my design;  
 FIG. 2 is a front elevation view thereof;  
 FIG. 3 is a back elevation view thereof;  
 FIG. 4 is a side elevation view thereof, wherein an opposite side elevation view is a mirror image of FIG. 3; and  
 FIG. 5 is a bottom plan view showing the broken lines indicating unclaimed portions of the ashtray;  
 FIG. 6 is a top plan view thereof; and,  
 FIG. 7 is another upper perspective view thereof, showing an opened configuration, wherein broken lines indicate internal structures as environment and form no part of the claimed design.  
 The broken lines indicate unclaimed subject matter of the design of the ashtray.

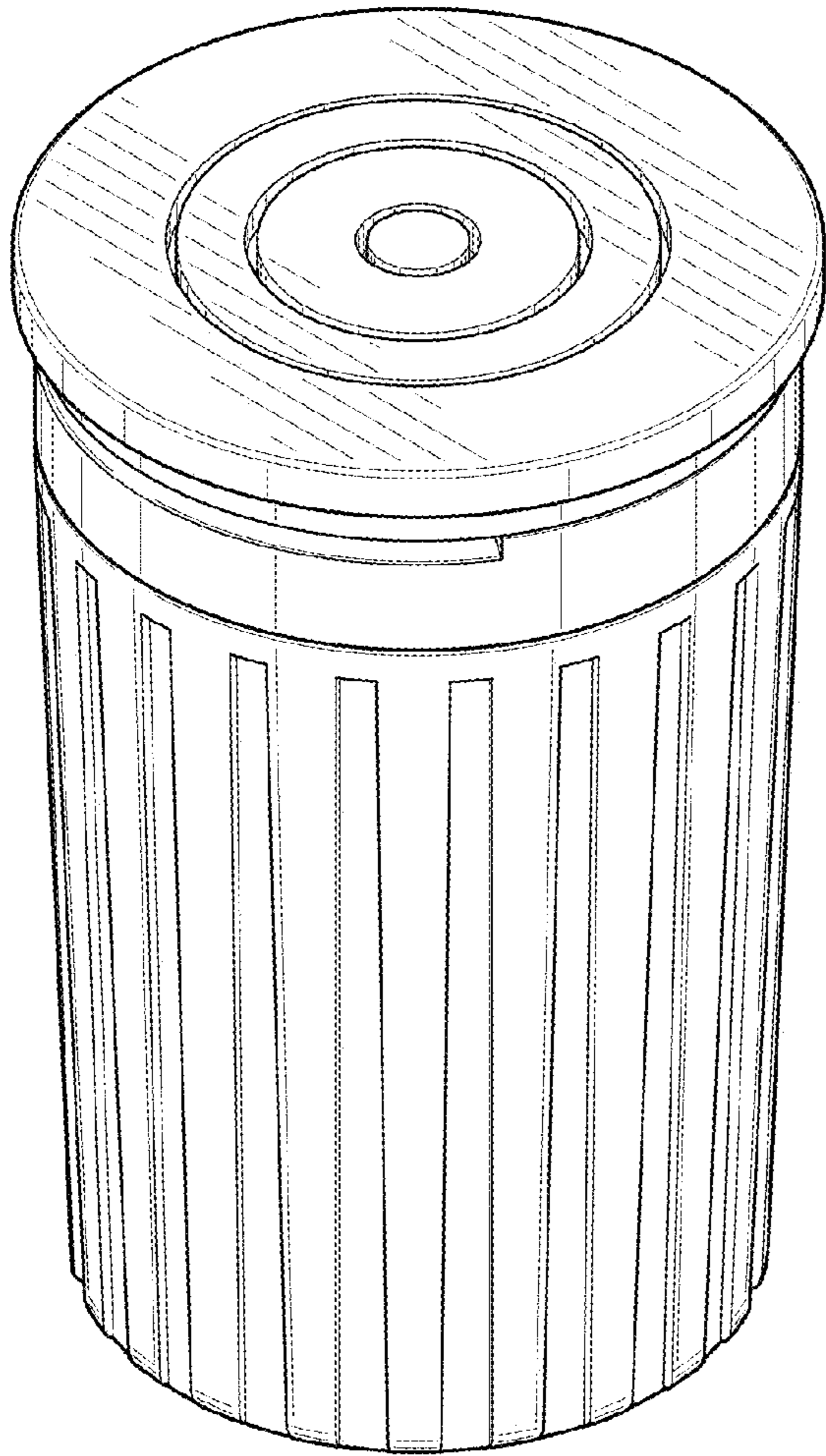
**1 Claim, 3 Drawing Sheets**

(56) **References Cited**

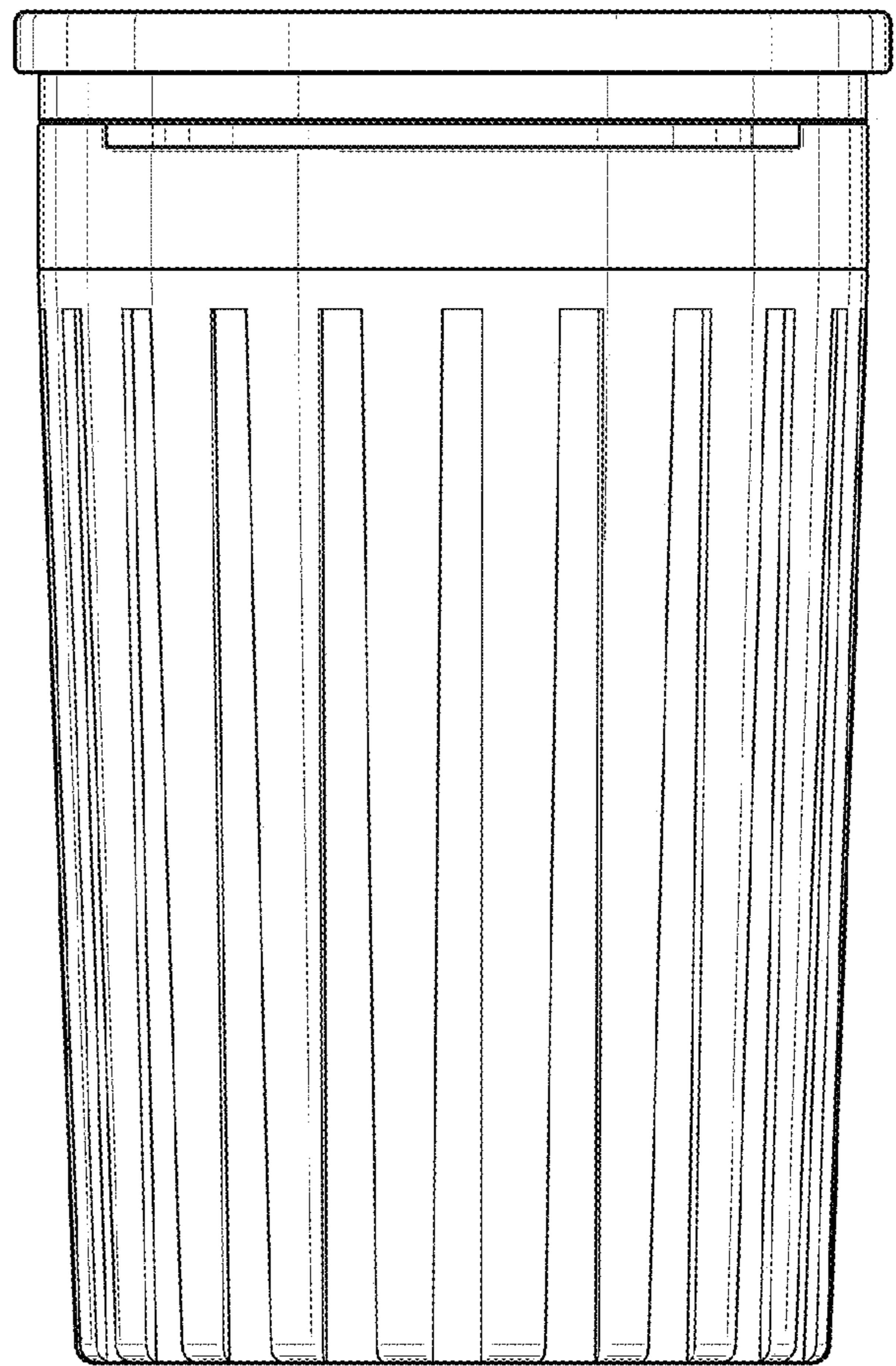
U.S. PATENT DOCUMENTS

- D76,417 S \* 9/1928 Putterman ..... D27/133
- D275,613 S \* 9/1984 Dodge ..... D27/134
- D375,657 S \* 11/1996 Jarvis ..... D7/523
- D395,949 S 7/1998 Dye
- D399,025 S \* 9/1998 Whitlock ..... D27/134
- D399,596 S 10/1998 Underwood
- D414,293 S \* 9/1999 Lee ..... D27/102
- D455,225 S \* 4/2002 Whitlock ..... D27/133

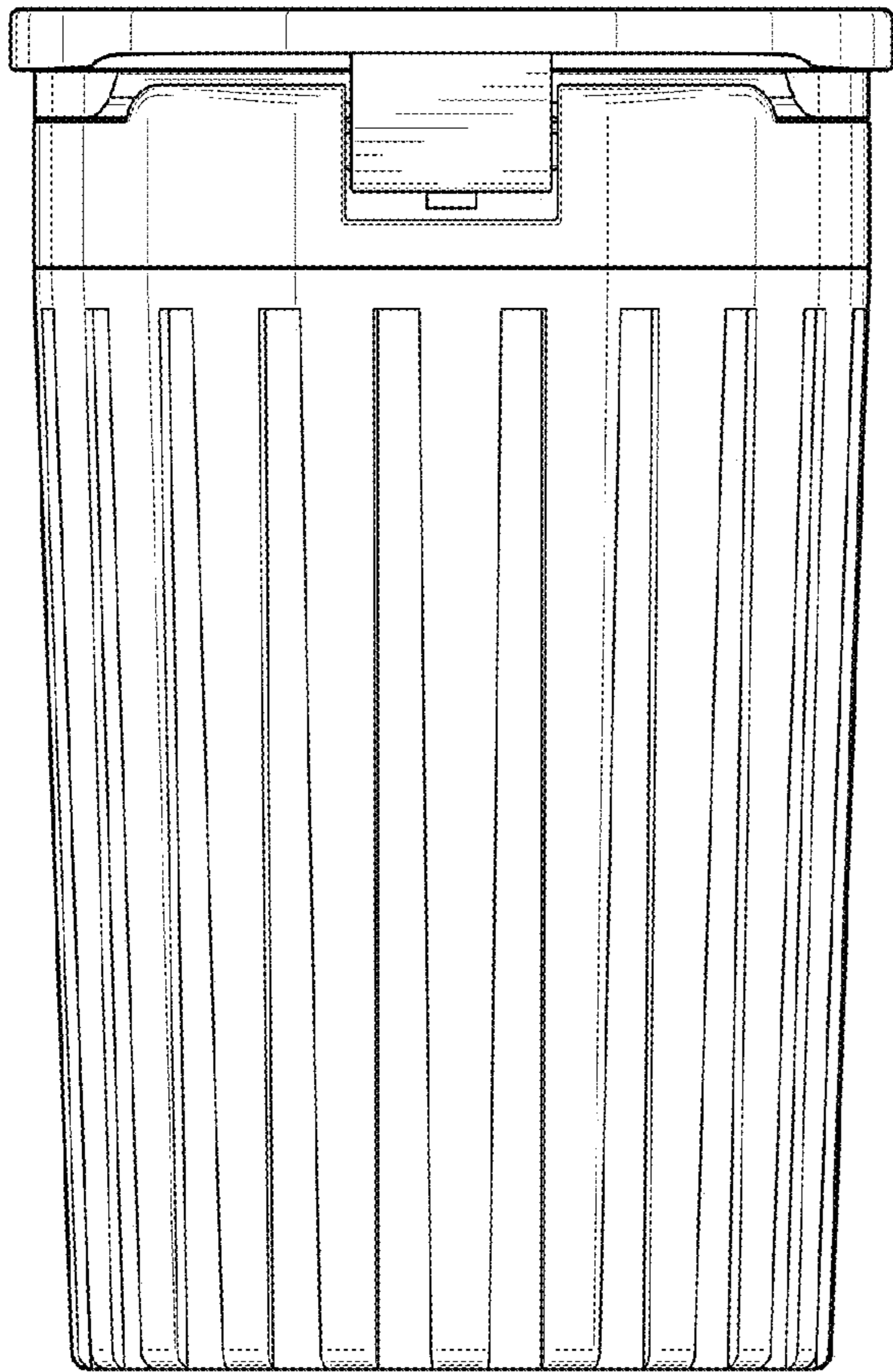




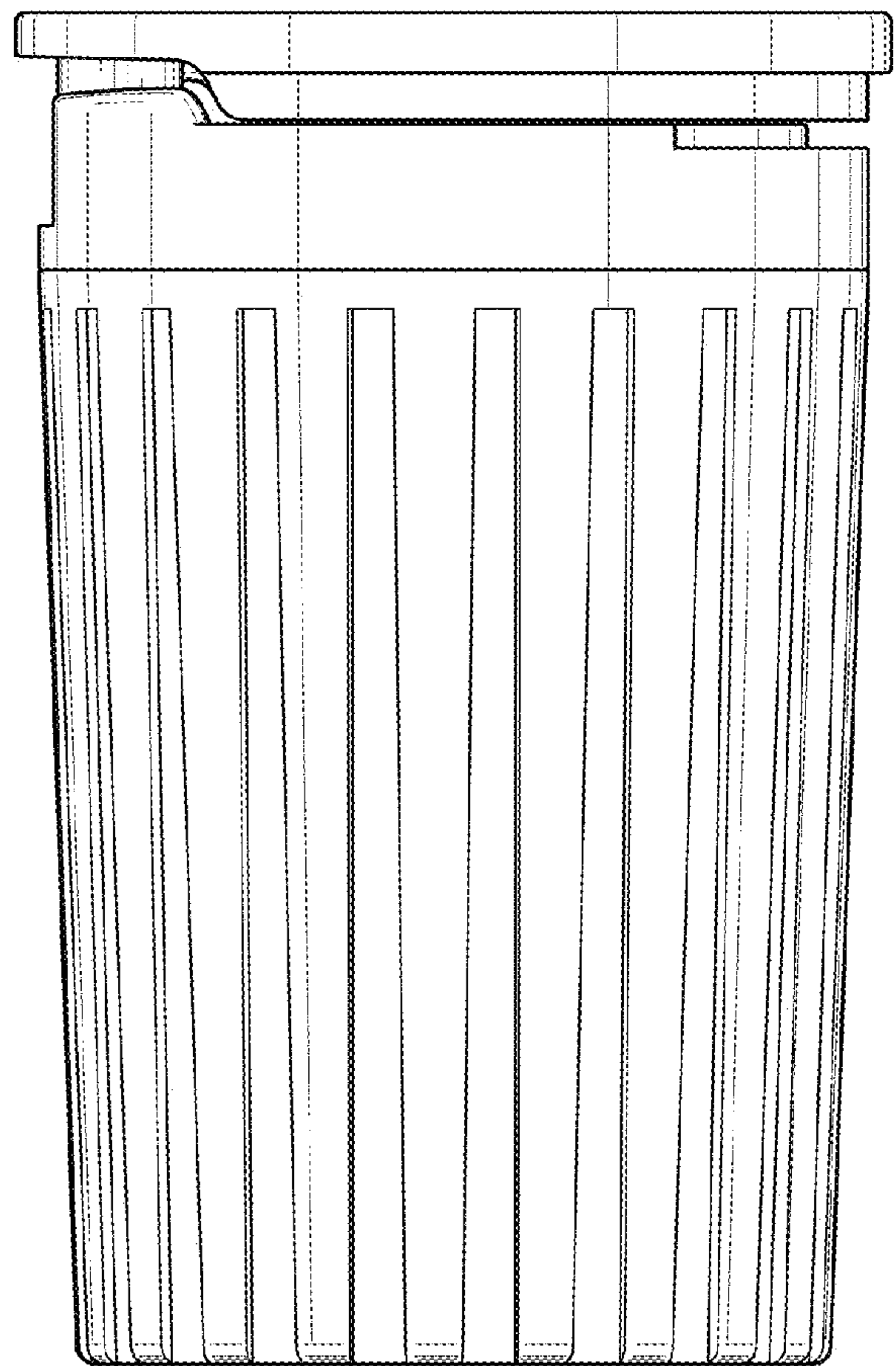
*FIG. 1*



*FIG. 2*



*FIG. 3*



*FIG. 4*



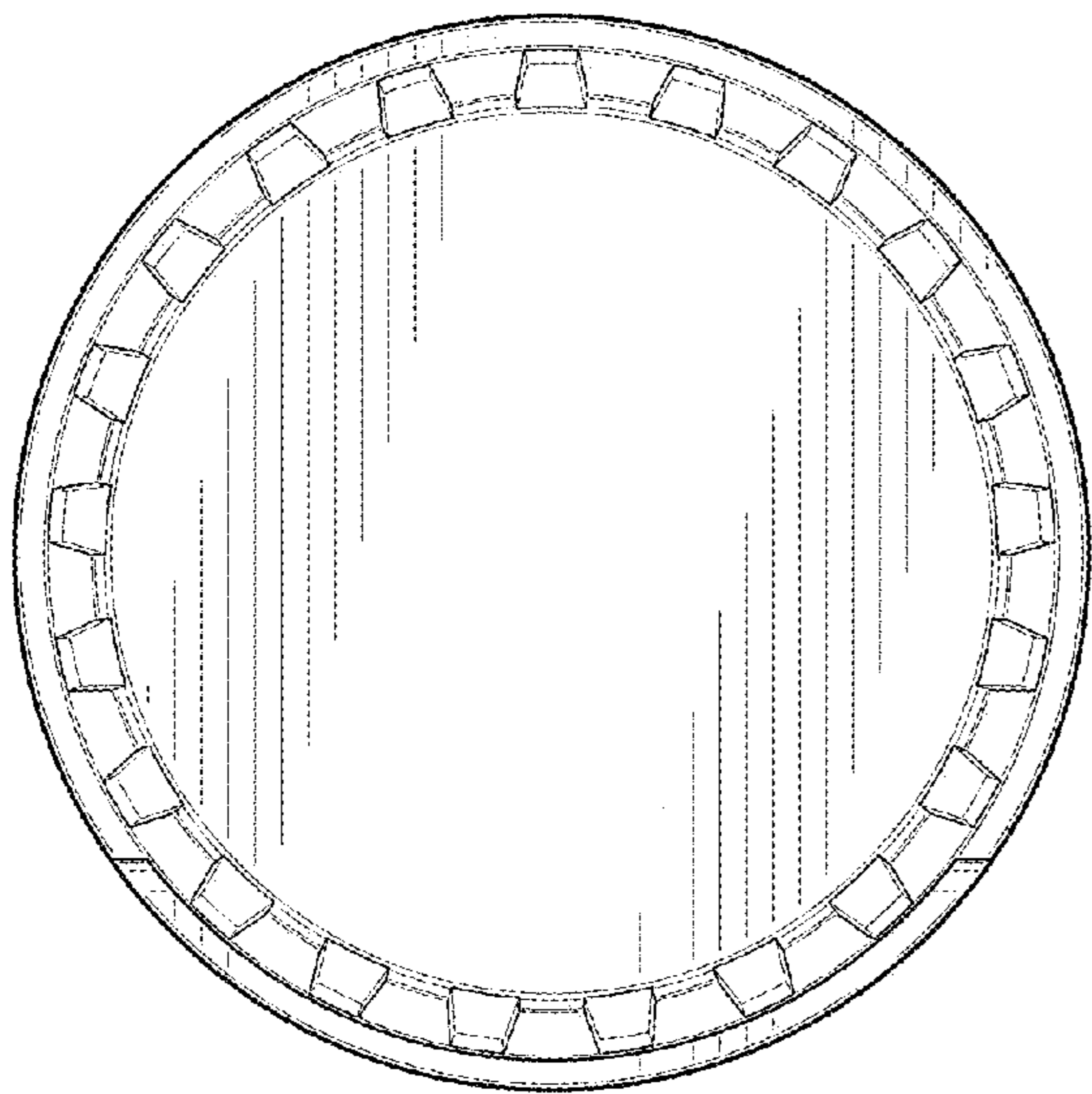


FIG. 5

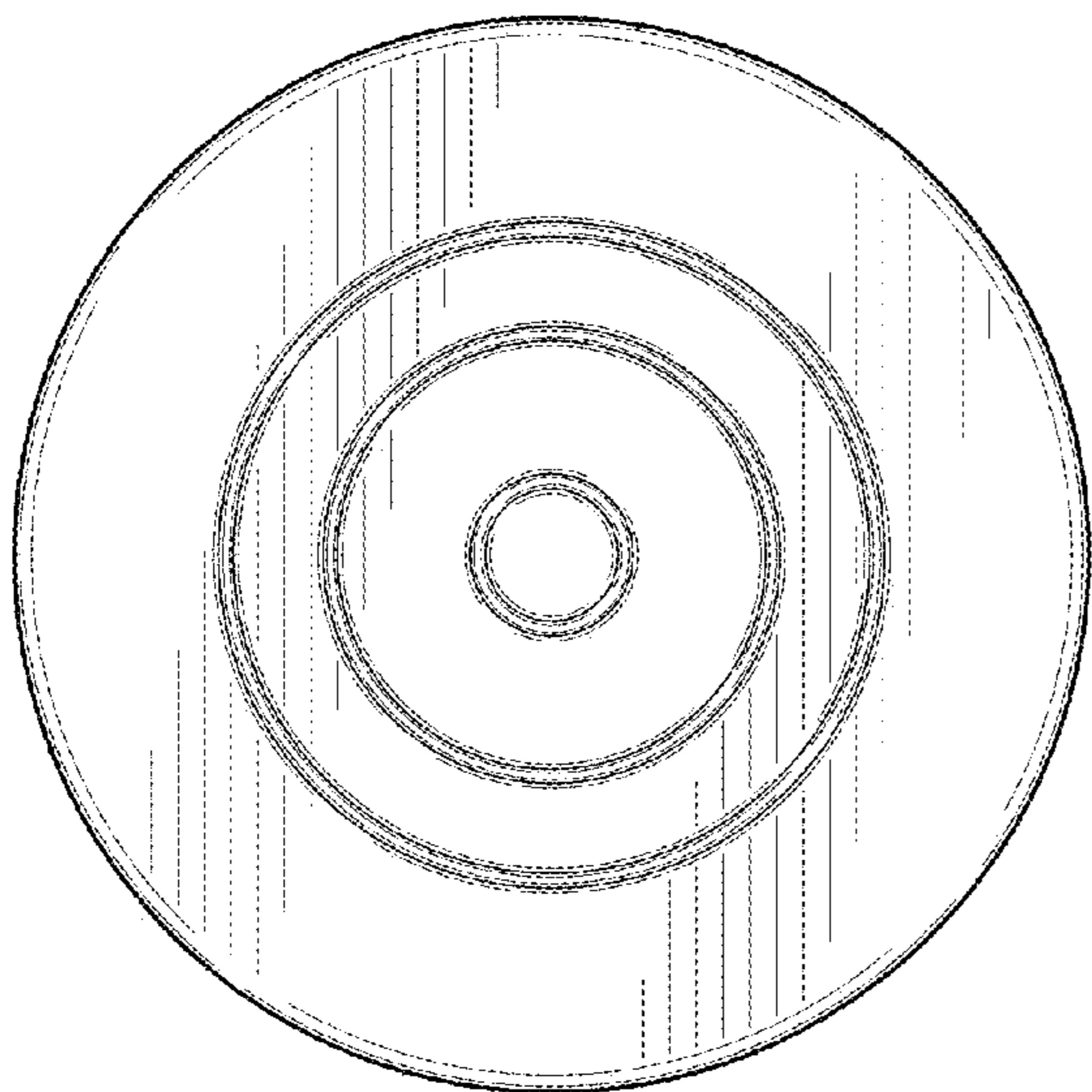


FIG. 6

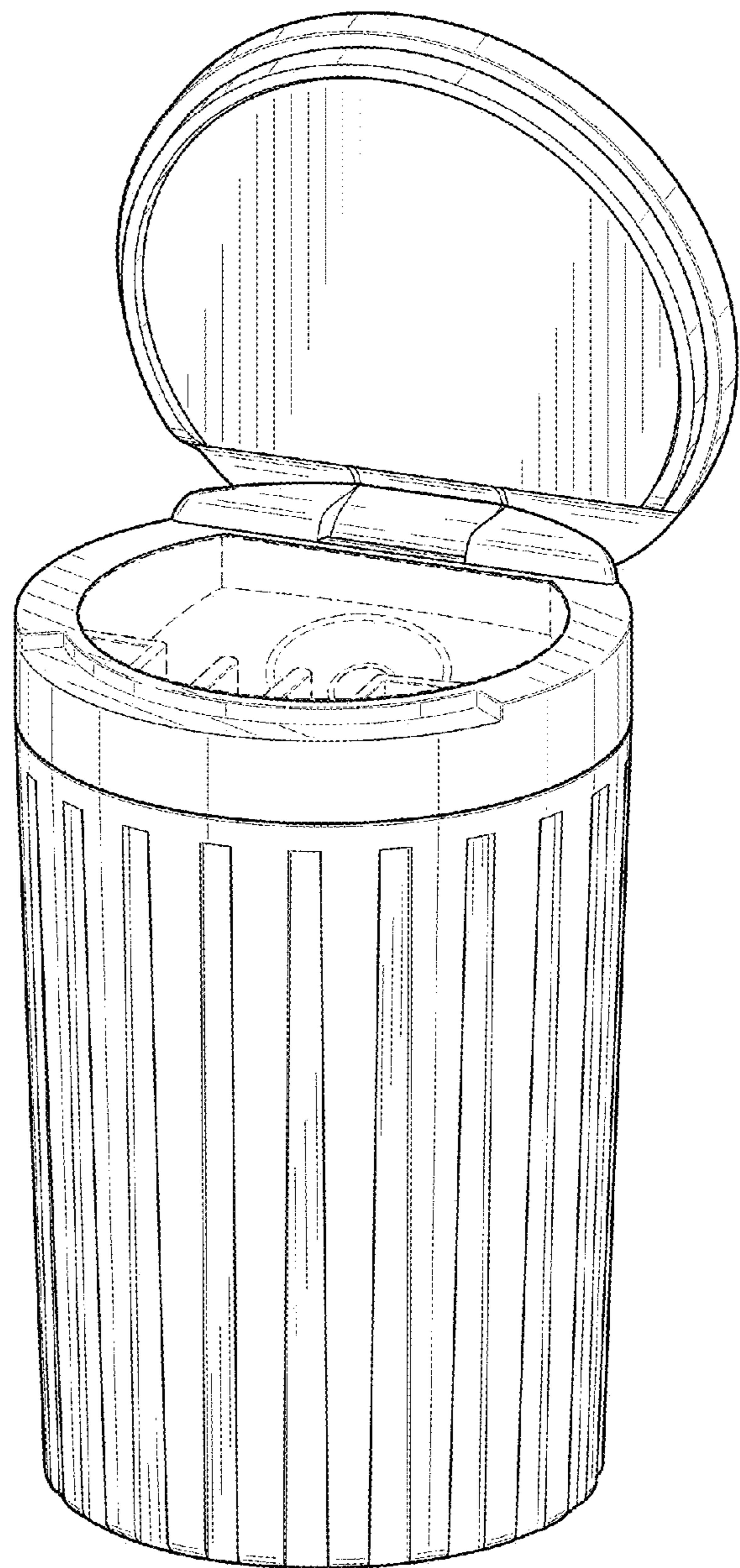


FIG. 7