



US00D945052S

(12) **United States Design Patent**
Huang

(10) **Patent No.:** **US D945,052 S**
(45) **Date of Patent:** **** Mar. 1, 2022**

(54) **LIGHT**

(71) Applicant: **Guyi Huang**, Jiangmen (CN)

(72) Inventor: **Guyi Huang**, Jiangmen (CN)

(**) Term: **15 Years**

(21) Appl. No.: **29/775,931**

(22) Filed: **Mar. 26, 2021**

(51) **LOC (13) Cl.** **26-05**

(52) **U.S. Cl.**
USPC **D26/110**; D26/51; D26/104; D26/112

(58) **Field of Classification Search**
USPC D26/24, 51, 52, 93, 104, 106, 108, 110,
D26/112, 118; D14/216; D23/356
CPC F21S 6/00; F21S 9/02; F21S 10/00; F21S
10/06; F21V 3/00; F21V 5/00; F21V
5/007; F21V 5/04; F21V 7/04; F21V
33/00; F21W 2121/00; F21W 2131/30
See application file for complete search history.

(56) **References Cited**

U.S. PATENT DOCUMENTS

D476,108 S	6/2003	Lecluze	
D597,704 S *	8/2009	Peng	D26/118
D757,307 S *	5/2016	Wallach	D26/24
D779,109 S *	2/2017	Wallach	D26/97
D815,150 S *	4/2018	Hu	D14/496
D836,609 S *	12/2018	Yoon	D14/216
D858,861 S *	9/2019	Lin	D26/108
D884,262 S	5/2020	Rotenberg et al.	
D898,271 S *	10/2020	Zheng	D26/110
D901,747 S *	11/2020	Lin	D26/94
D907,281 S *	1/2021	Wu	D26/104
D914,958 S *	3/2021	Zheng	D26/110
D919,146 S *	5/2021	Li	D26/51
D919,875 S *	5/2021	Peng	D26/110
D919,876 S *	5/2021	Ouyang	D26/110
D922,664 S *	6/2021	Li	D26/106
D927,045 S *	8/2021	Li	D26/110

D927,751 S *	8/2021	Zheng	D26/51
D927,765 S *	8/2021	Li	D26/106
D927,767 S *	8/2021	Zheng	D26/110

(Continued)

FOREIGN PATENT DOCUMENTS

EM 008477103-0001 * 3/2021

OTHER PUBLICATIONS

Galaxy Projector Review, May 20, 2020, YouTube, site visited Dec. 30, 2021, url: <https://www.youtube.com/watch?v=9mHWCgY9ZPE> (Year: 2020).*

(Continued)

Primary Examiner — T Chase Nelson
Assistant Examiner — Rachel Wolfe

(57) **CLAIM**

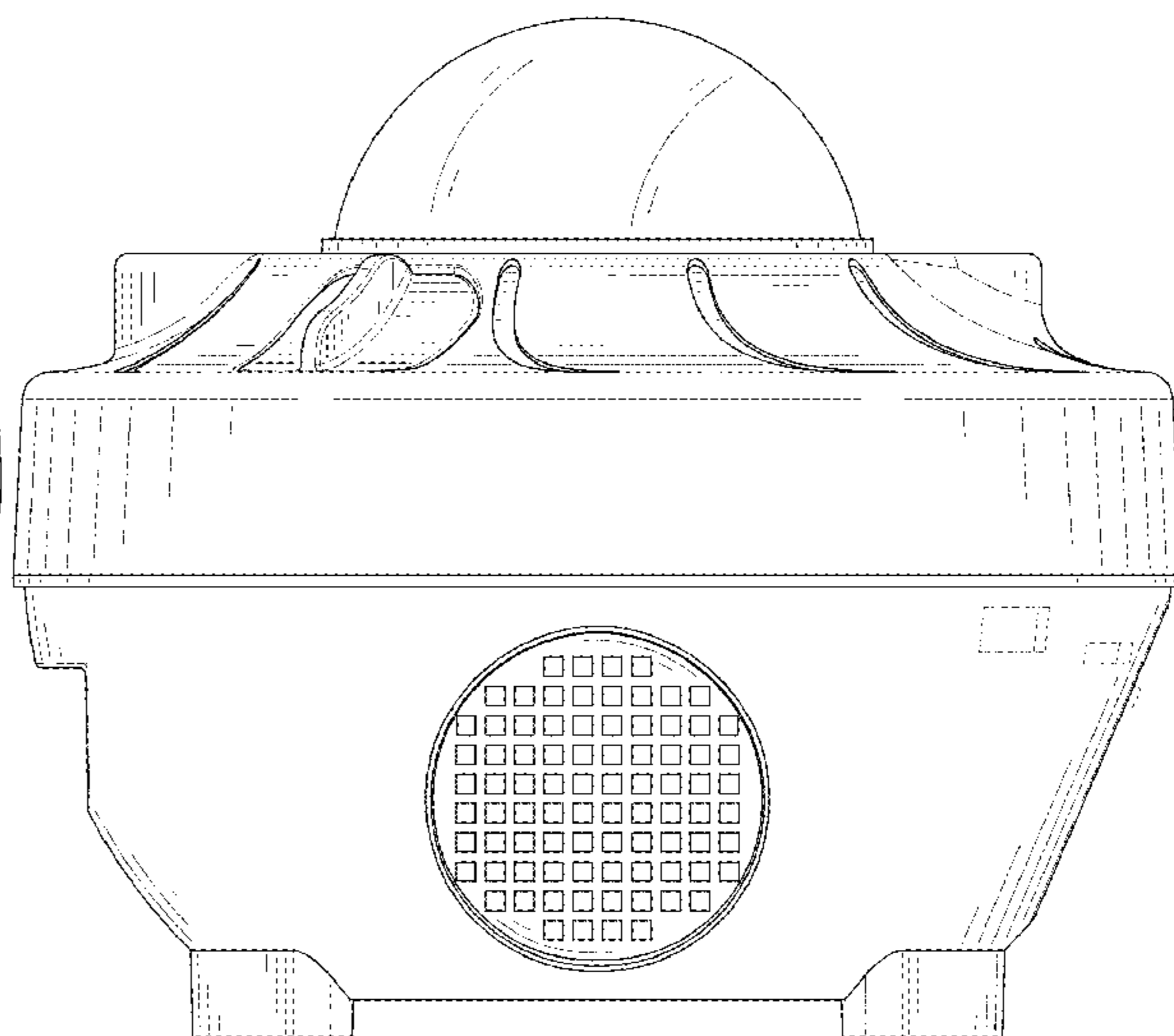
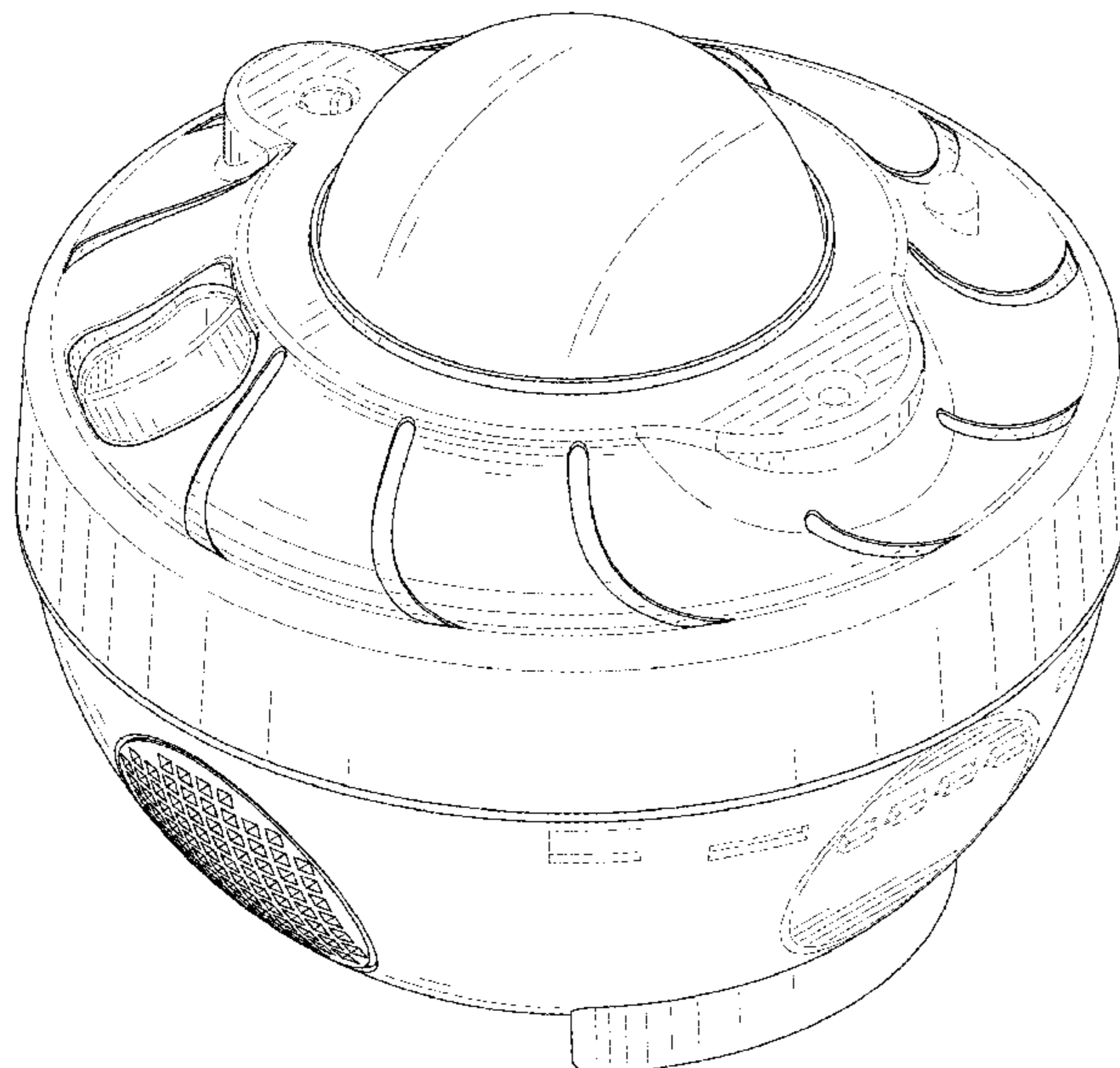
The ornamental design for a light, as shown and described.

DESCRIPTION

FIG. 1 is a perspective view of a light showing my new design;
FIG. 2 is another perspective view thereof;
FIG. 3 is a front elevational view thereof;
FIG. 4 is a rear elevational view thereof;
FIG. 5 is a left side elevational view thereof;
FIG. 6 is a right side elevational view thereof;
FIG. 7 is a top plan view thereof;
FIG. 8 is a bottom plan view thereof; and,
FIG. 9 is an enlarged view of the encircled portion 9 of FIG. 2.

The broken lines in the drawings are for the purpose of illustrating portions of the light that form no part of the claimed design. The dash-dot broken lines in FIGS. 2 and 9 are for the purpose of illustrating the boundaries of the enlarged fragment shown in FIG. 9 and form no part of the claimed design.

1 Claim, 9 Drawing Sheets



(56)

References Cited

U.S. PATENT DOCUMENTS

D930,222 S * 9/2021 Song D26/106
11,118,753 B1 * 9/2021 Zheng F21V 3/049
D933,282 S * 10/2021 Ji D26/93
11,156,352 B1 * 10/2021 Li F21V 23/006
2021/0164628 A1 * 6/2021 Zheng F21S 10/00
2021/0247039 A1 * 8/2021 Zheng F21S 10/007
2021/0364142 A1 * 11/2021 Zheng F21V 33/0056
2021/0381666 A1 * 12/2021 Zheng F21V 14/04

OTHER PUBLICATIONS

Star Projector Night Light, Aug. 18, 2021, eBay, site visited Dec. 30, 2021, url: <https://www.ebay.com.au/itm/124858577021> (Year: 2021).*

YUNSOVA Star Projector, Jan. 28, 2021, Amazon.com, site visited Dec. 30, 2021, url: <https://www.amazon.com/dp/B08V8HNRXG> (Year: 2021).*

* cited by examiner

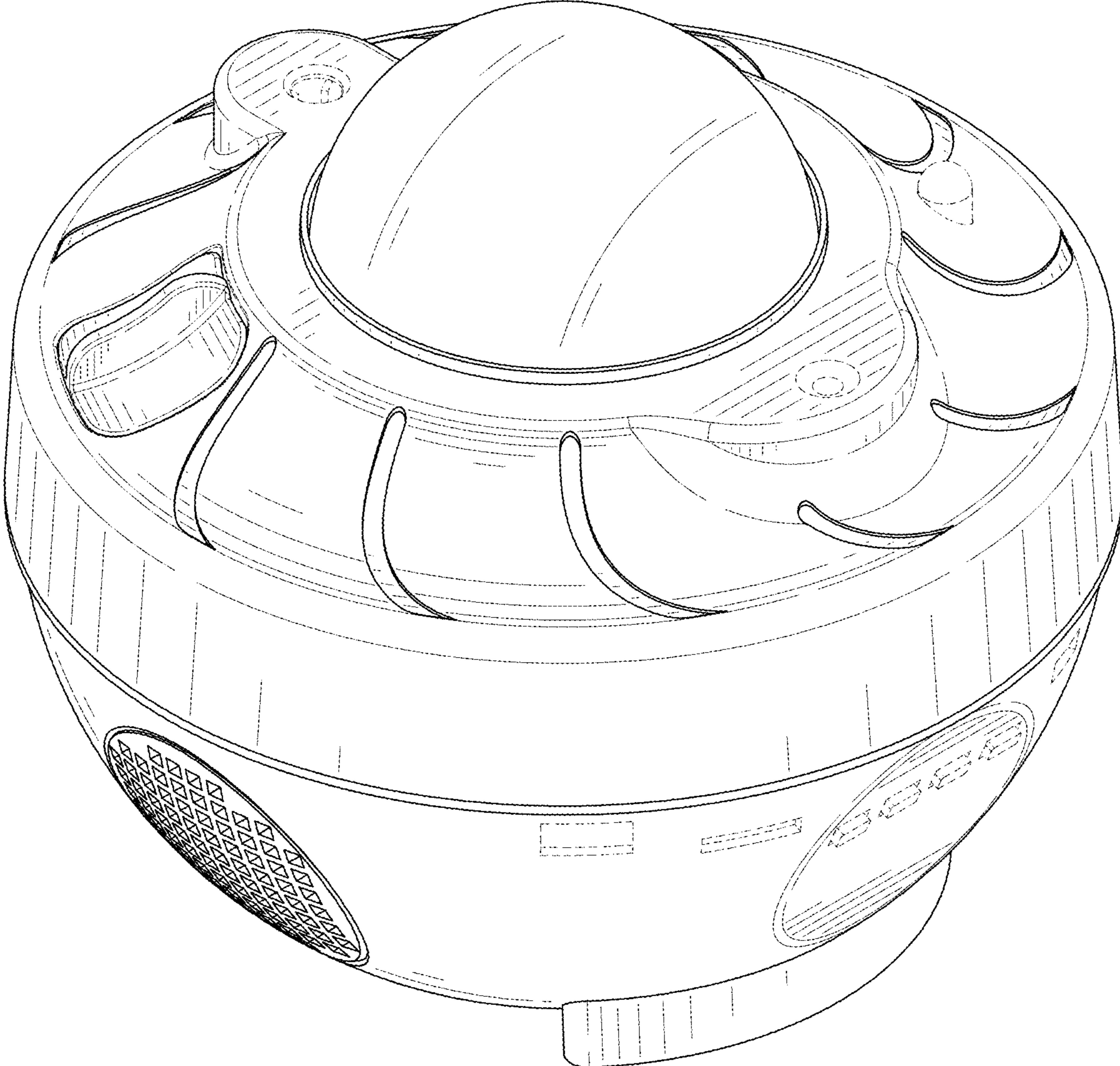


FIG. 1

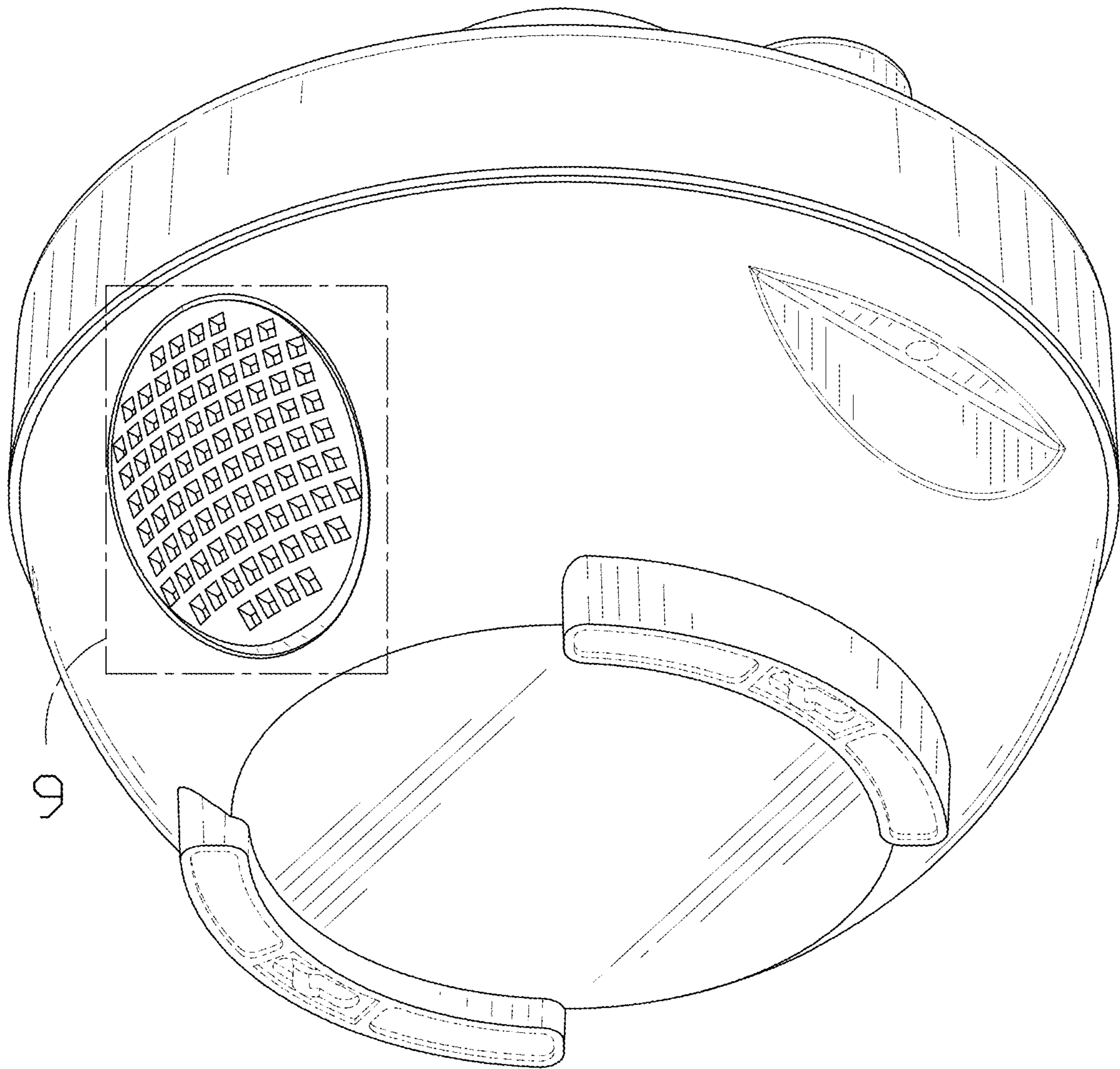


FIG. 2

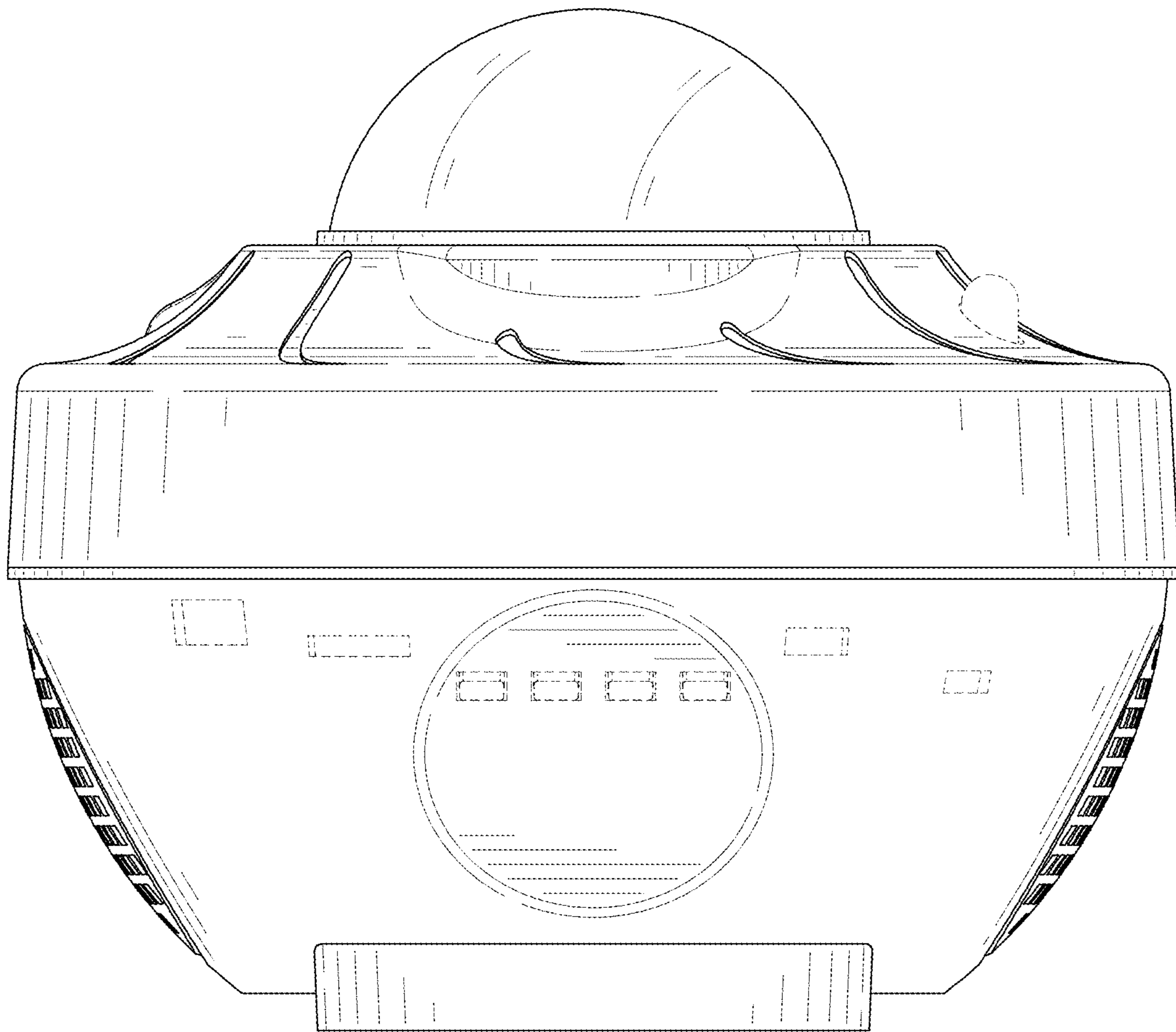


FIG. 3

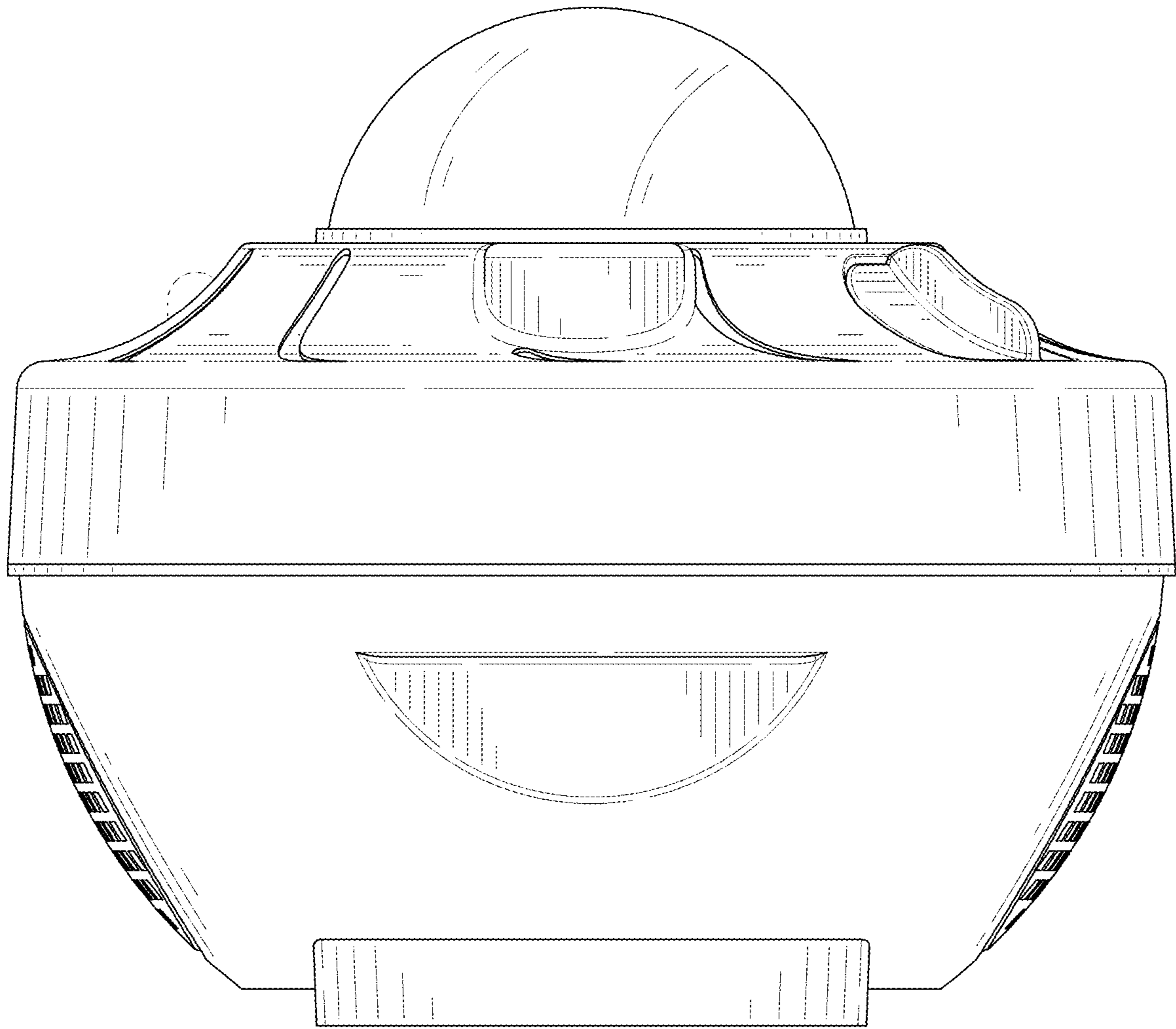


FIG. 4

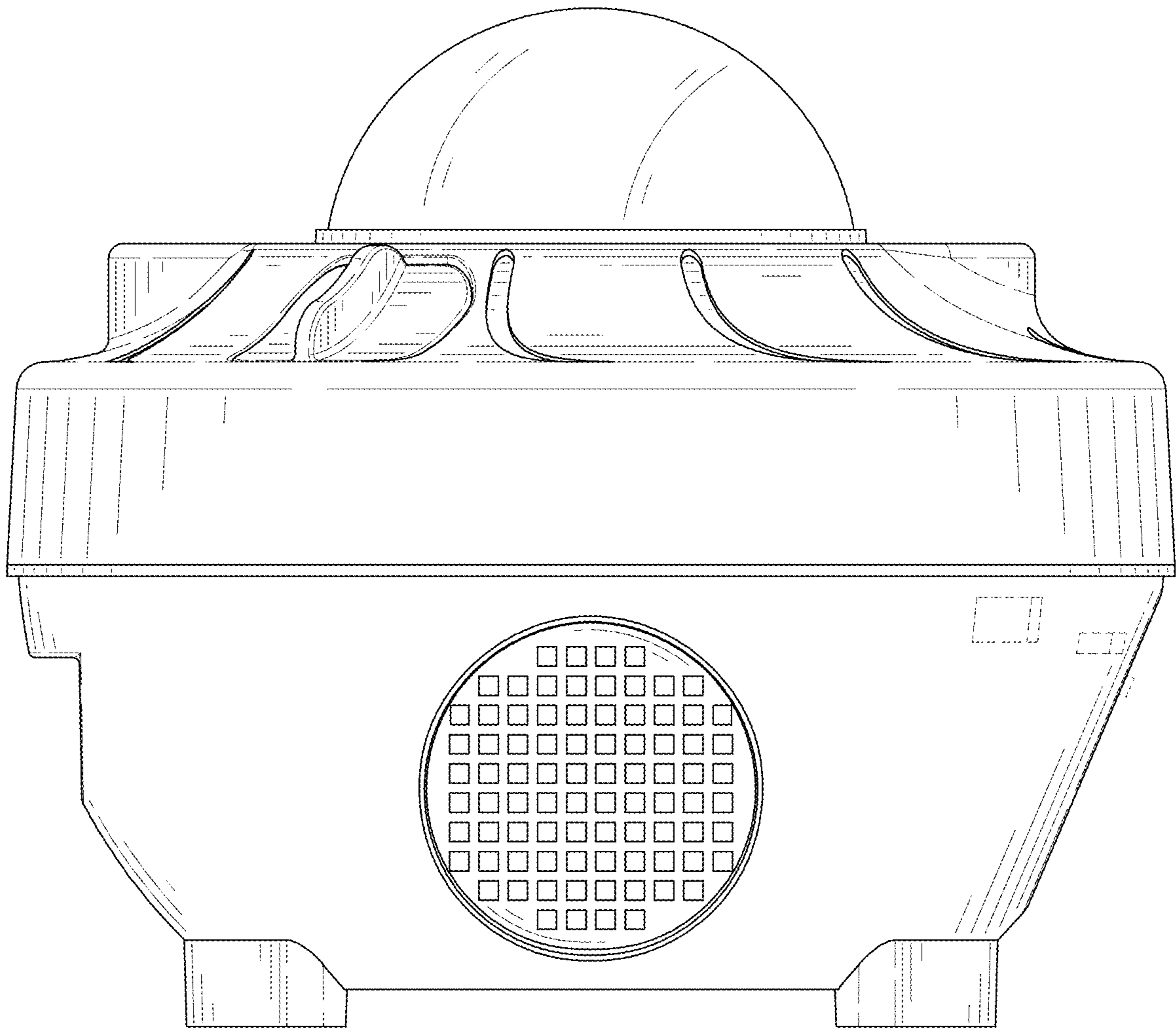


FIG. 5

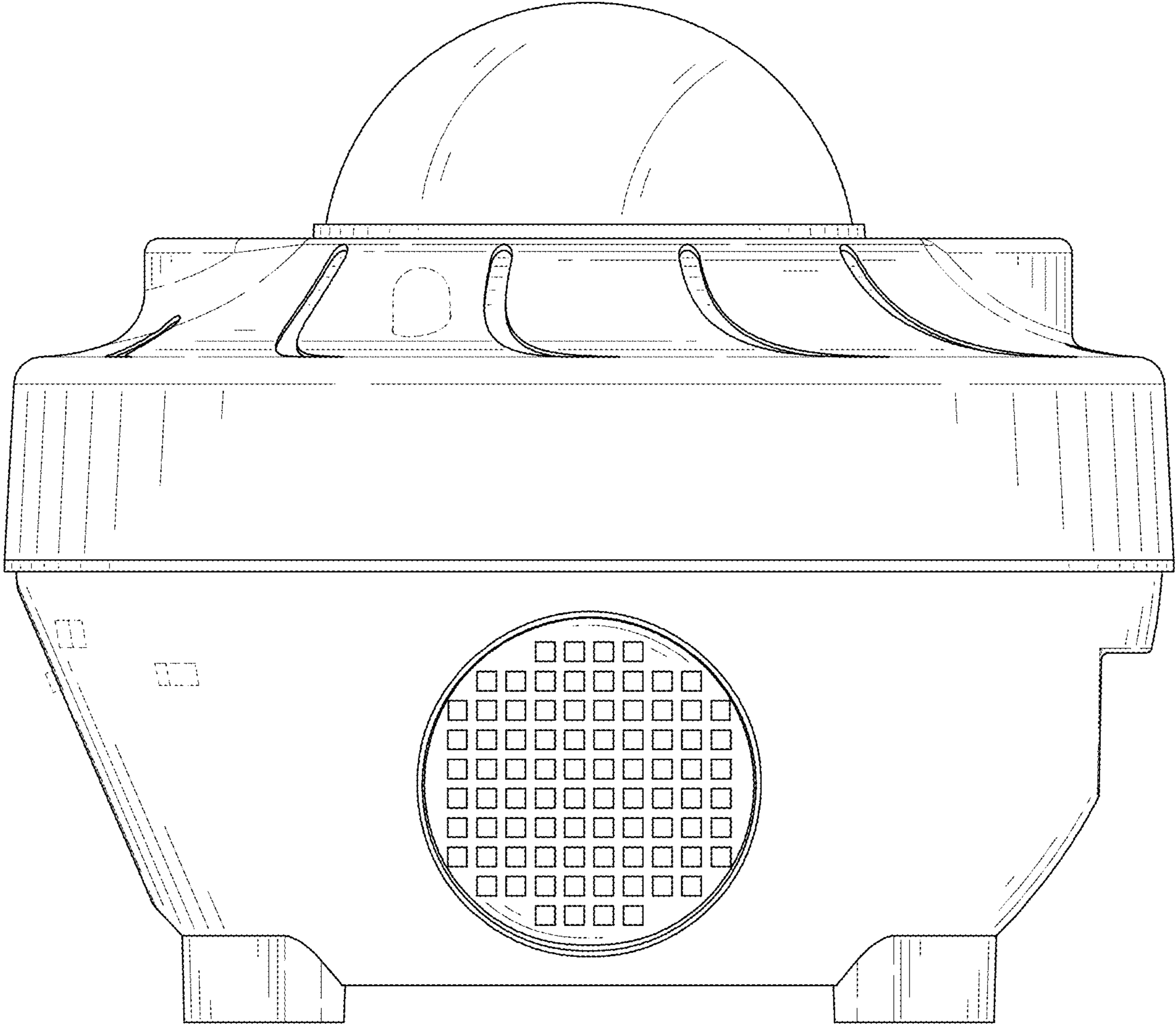


FIG. 6

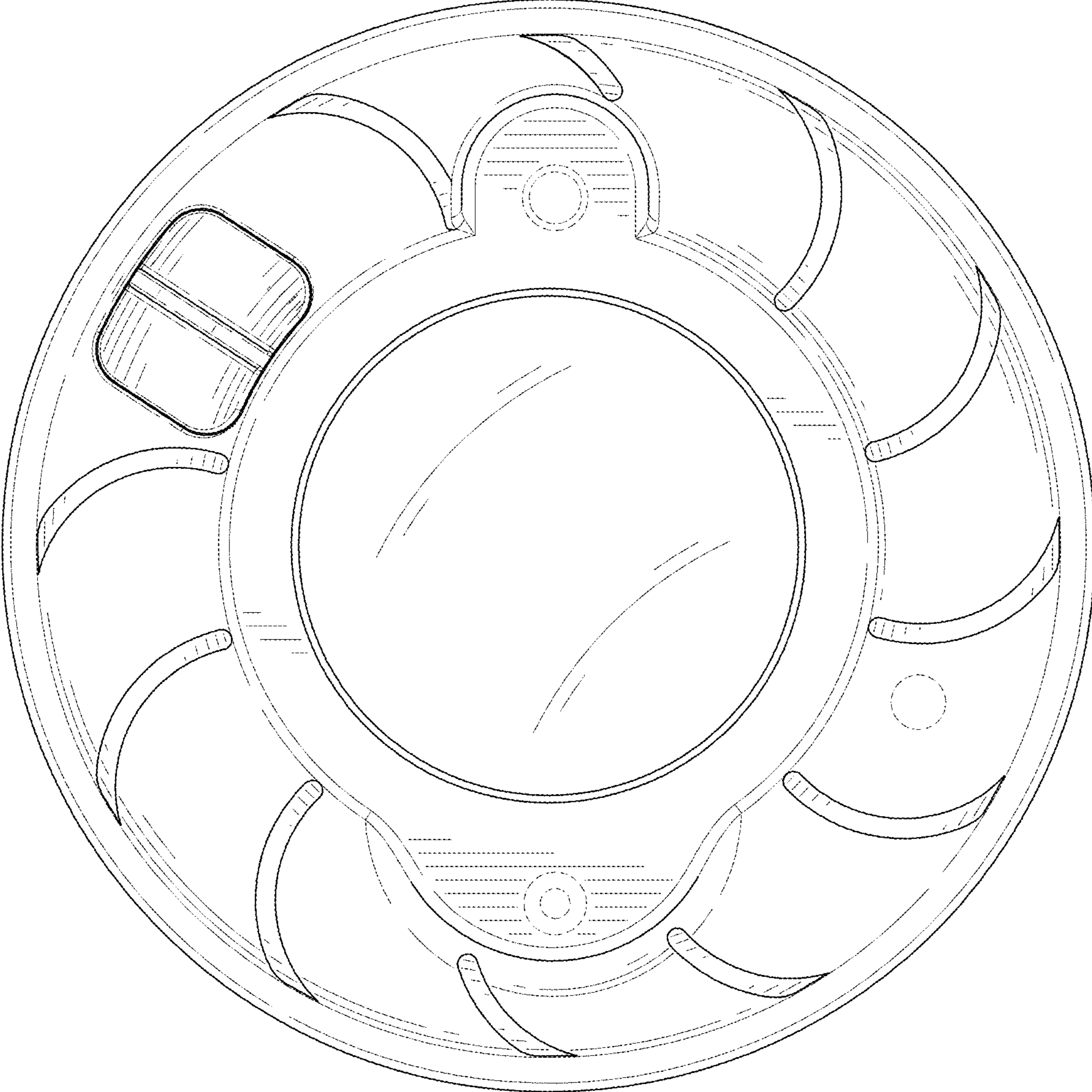


FIG. 7

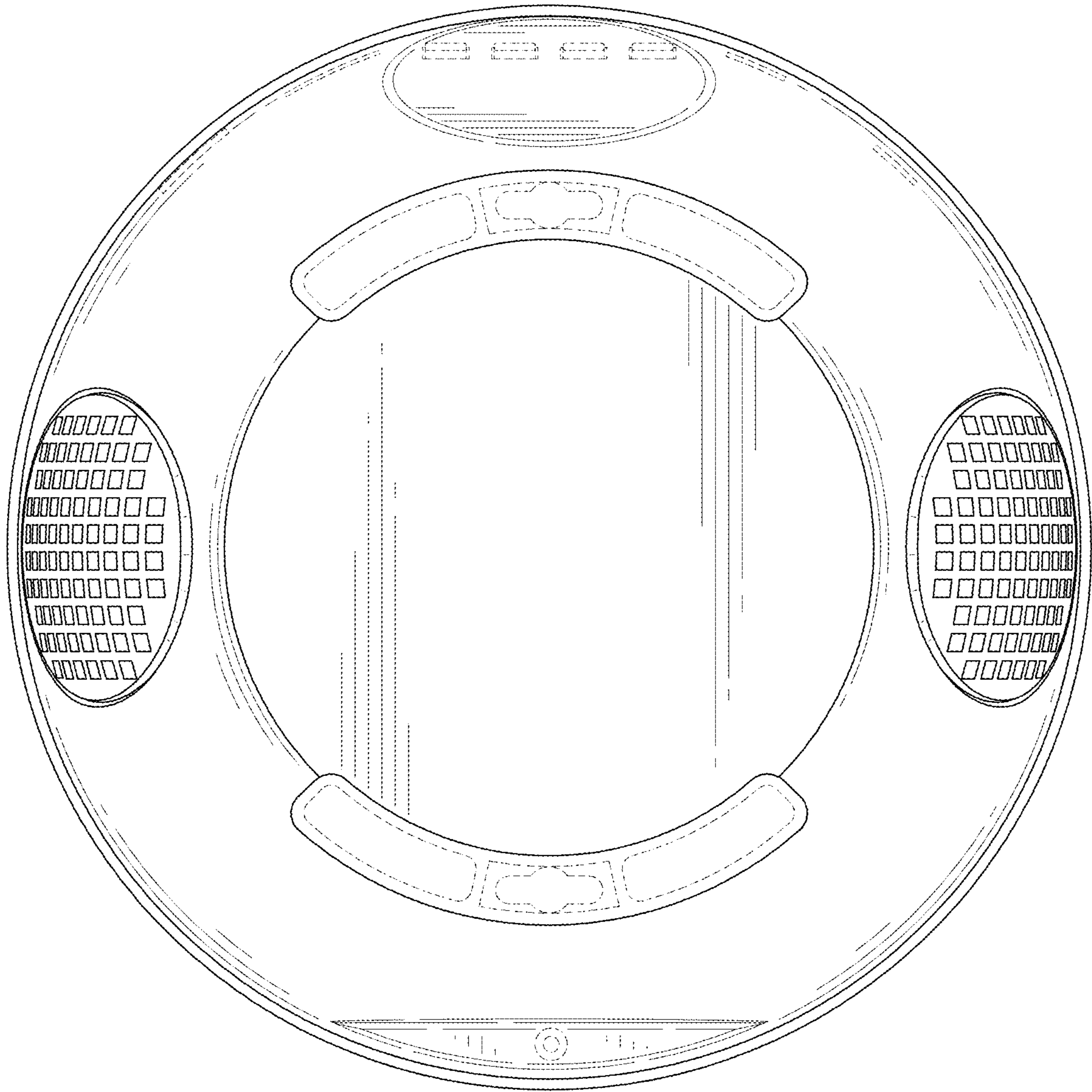


FIG. 8

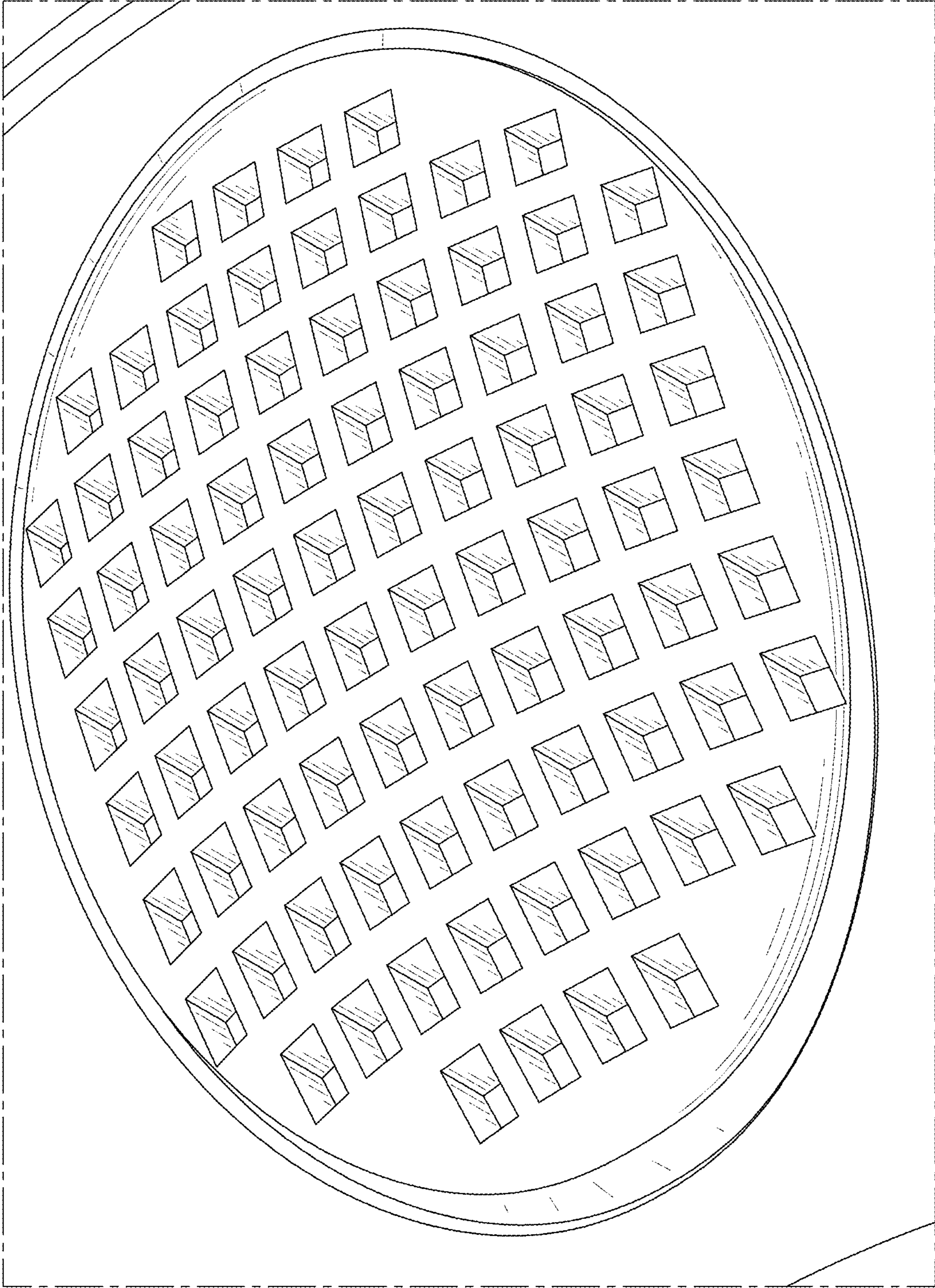


FIG. 9