



US00D945051S

(12) **United States Design Patent** (10) **Patent No.:** **US D945,051 S**
Gong (45) **Date of Patent:** **** Mar. 1, 2022**

(54) **TABLE LAMP** 2002/0097577 A1* 7/2002 Huang F21S 4/20
362/240
(71) Applicant: **Yelin Gong**, Jiangxi (CN) 2003/0016544 A1* 1/2003 Huang F21S 10/06
362/565
(72) Inventor: **Yelin Gong**, Jiangxi (CN) 2003/0147236 A1* 8/2003 Chang F21V 7/04
362/123

(73) Assignee: **Shenzhen LAMHO PHOTOELECTRICITY & TECHNOLOGY CO., LTD.**, Shenzhen (CN)

(**) Term: **15 Years**

(21) Appl. No.: **29/688,214**

(22) Filed: **Apr. 18, 2019**

(51) **LOC (13) Cl.** **26-05**

(52) **U.S. Cl.**
USPC **D26/110**

(58) **Field of Classification Search**
USPC D26/25, 93, 102, 110
CPC ... F21V 7/04; F21V 7/041; F21V 7/06; F21V 14/00; F21V 2200/0013; F21S 4/00; F21S 4/003; F21S 4/008; F21S 6/002
See application file for complete search history.

(56) **References Cited**

U.S. PATENT DOCUMENTS

6,312,141 B1* 11/2001 Liu F21S 10/06
362/235
D452,576 S * 12/2001 Liu D26/25
D549,501 S * 8/2007 Gaska D26/110
D554,560 S * 11/2007 Tsai D26/25
D624,689 S * 9/2010 Kao D26/102
D864,457 S * 10/2019 Tang D26/25
D885,635 S * 5/2020 Cao D26/25
D903,926 S * 12/2020 Gong D26/25

FOREIGN PATENT DOCUMENTS

EM 006382339-0002 * 4/2019
GB 6059067 * 4/2019
JP D1661719 * 6/2020

* cited by examiner

Primary Examiner — Leanne Was-Englehart

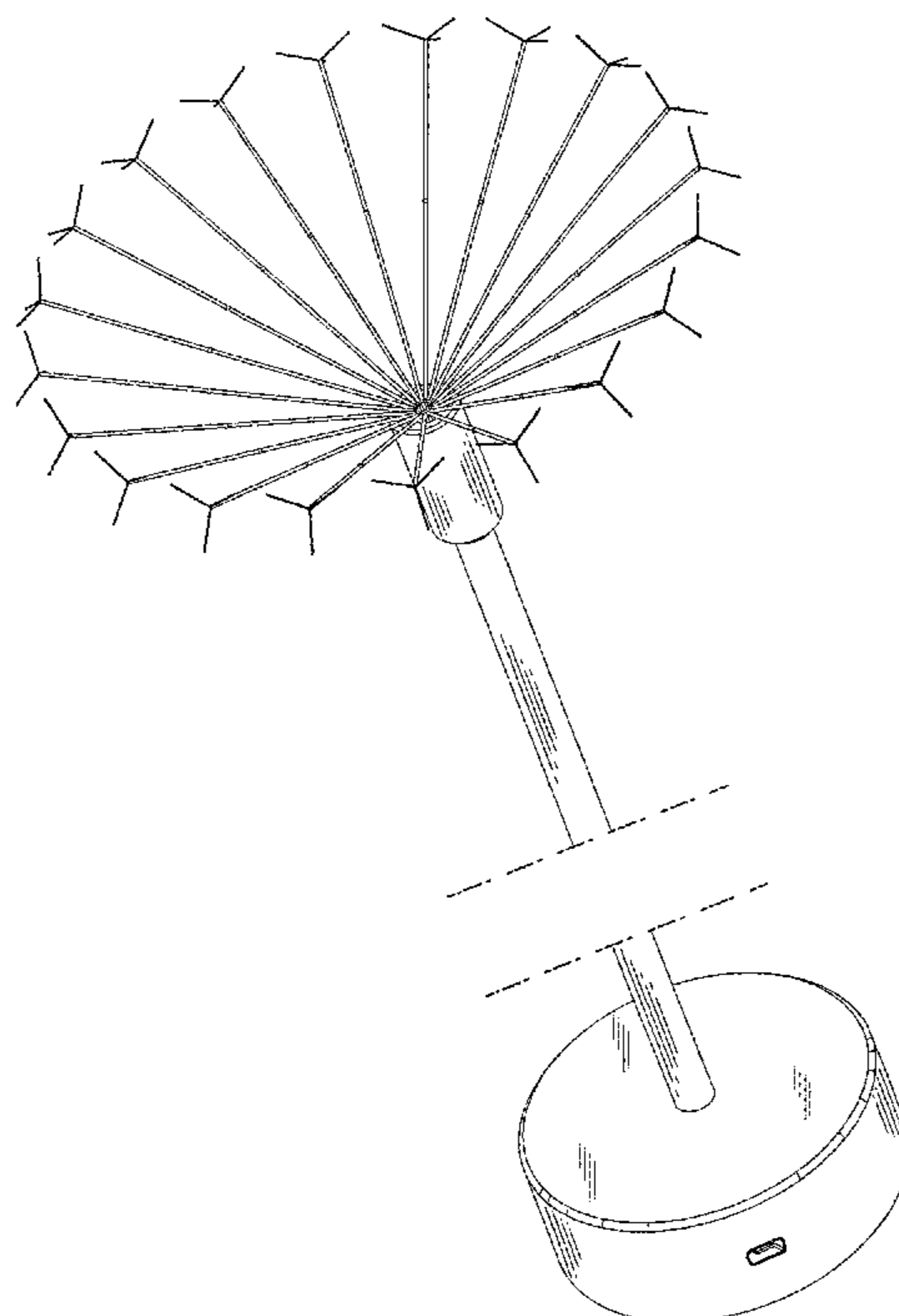
(57) **CLAIM**

The ornamental design for a table lamp, as shown and described.

DESCRIPTION

FIG. 1 is a perspective view of a table lamp showing my new design;
FIG. 2 is a front elevation view thereof;
FIG. 3 is a rear elevation view thereof;
FIG. 4 is a left side elevation view thereof;
FIG. 5 is a right side elevation view thereof;
FIG. 6 is a top plan view thereof; and,
FIG. 7 is a bottom plan view thereof.
The table lamp is shown with a symbolic break in its light pole. The appearance of any portion of the table lamp between the break lines forms no part of the claim. The broken lines depict portions of the decorative table lamp that form no part of the claimed design.

1 Claim, 7 Drawing Sheets



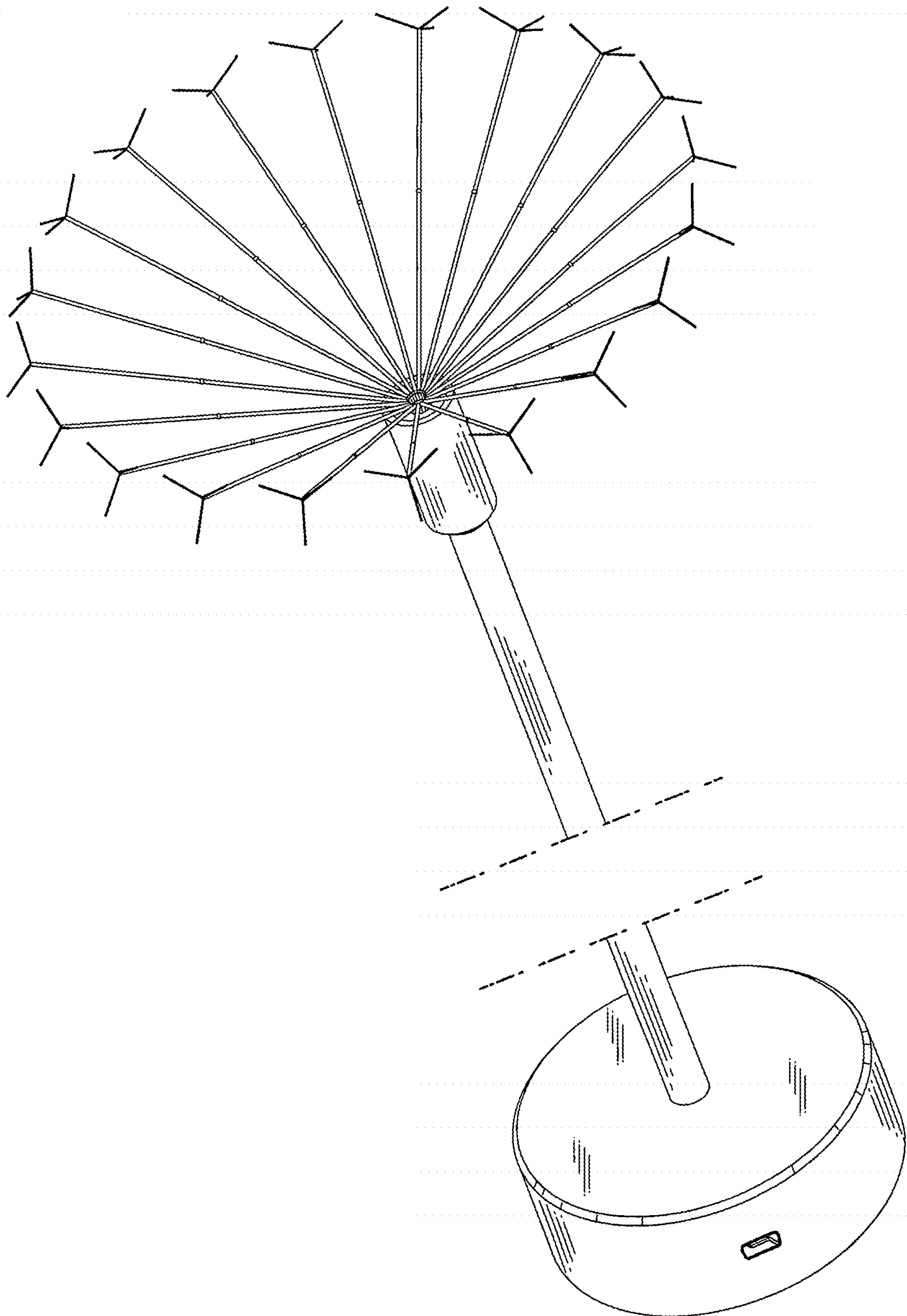


FIG. 1

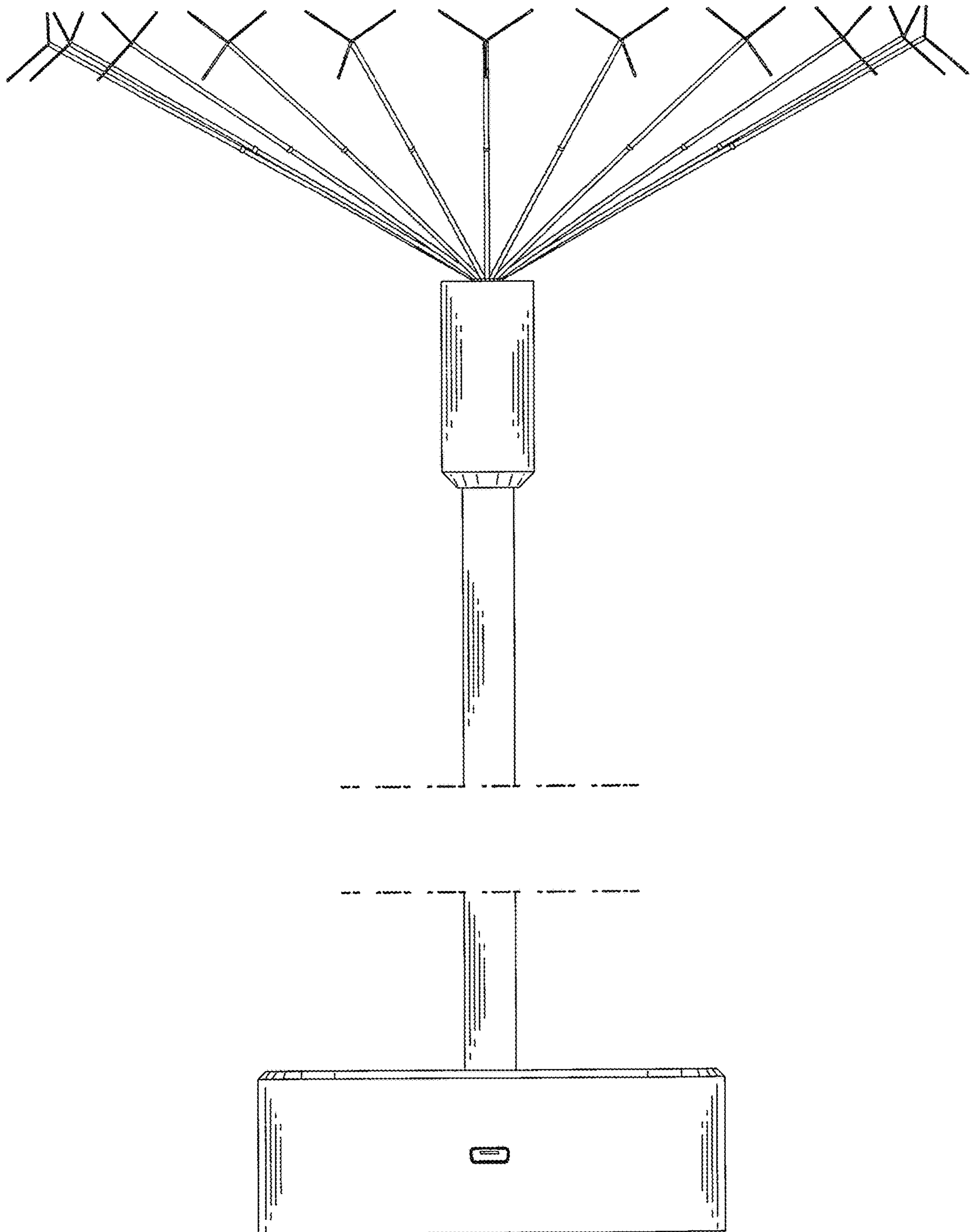


FIG. 2

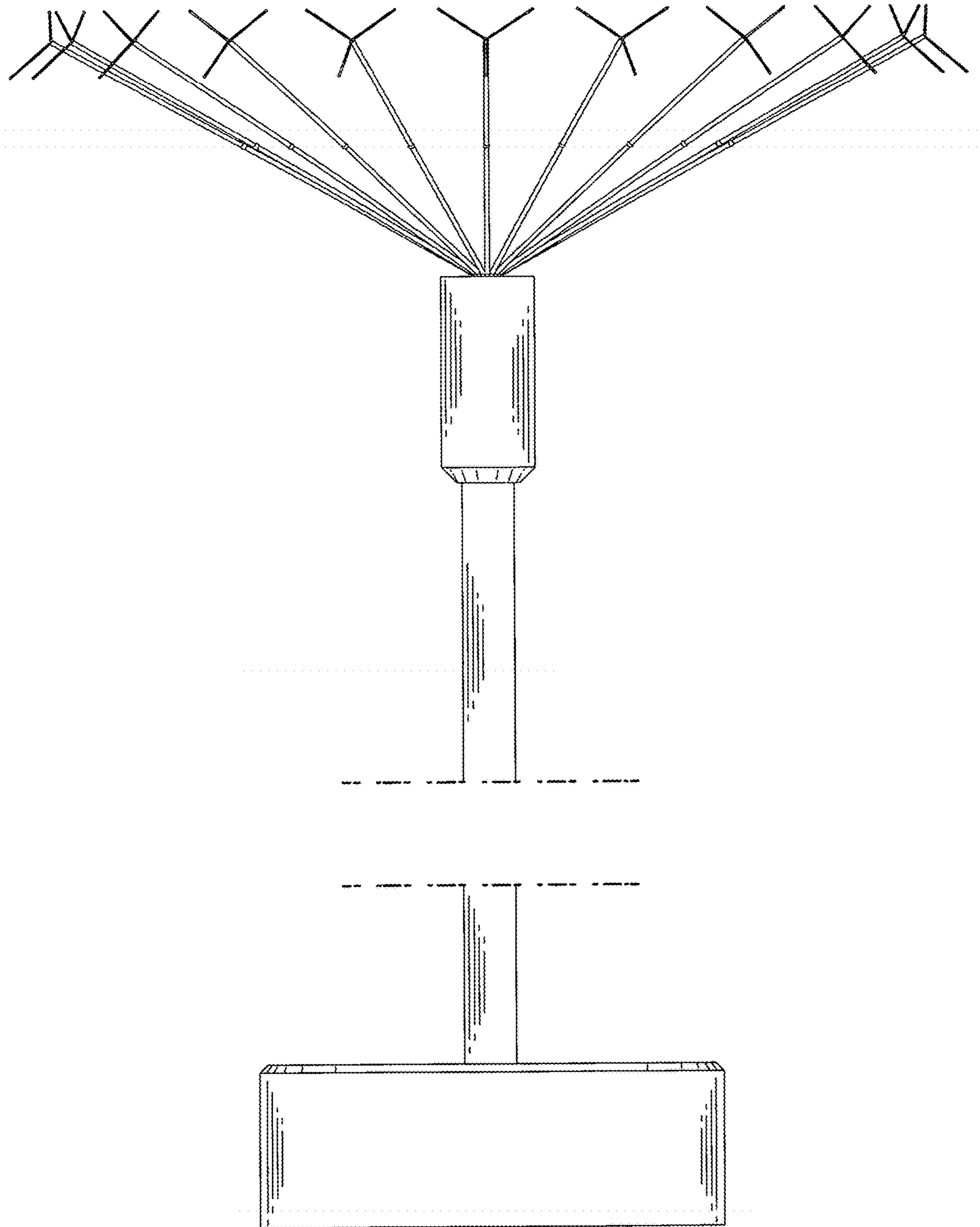


FIG. 3

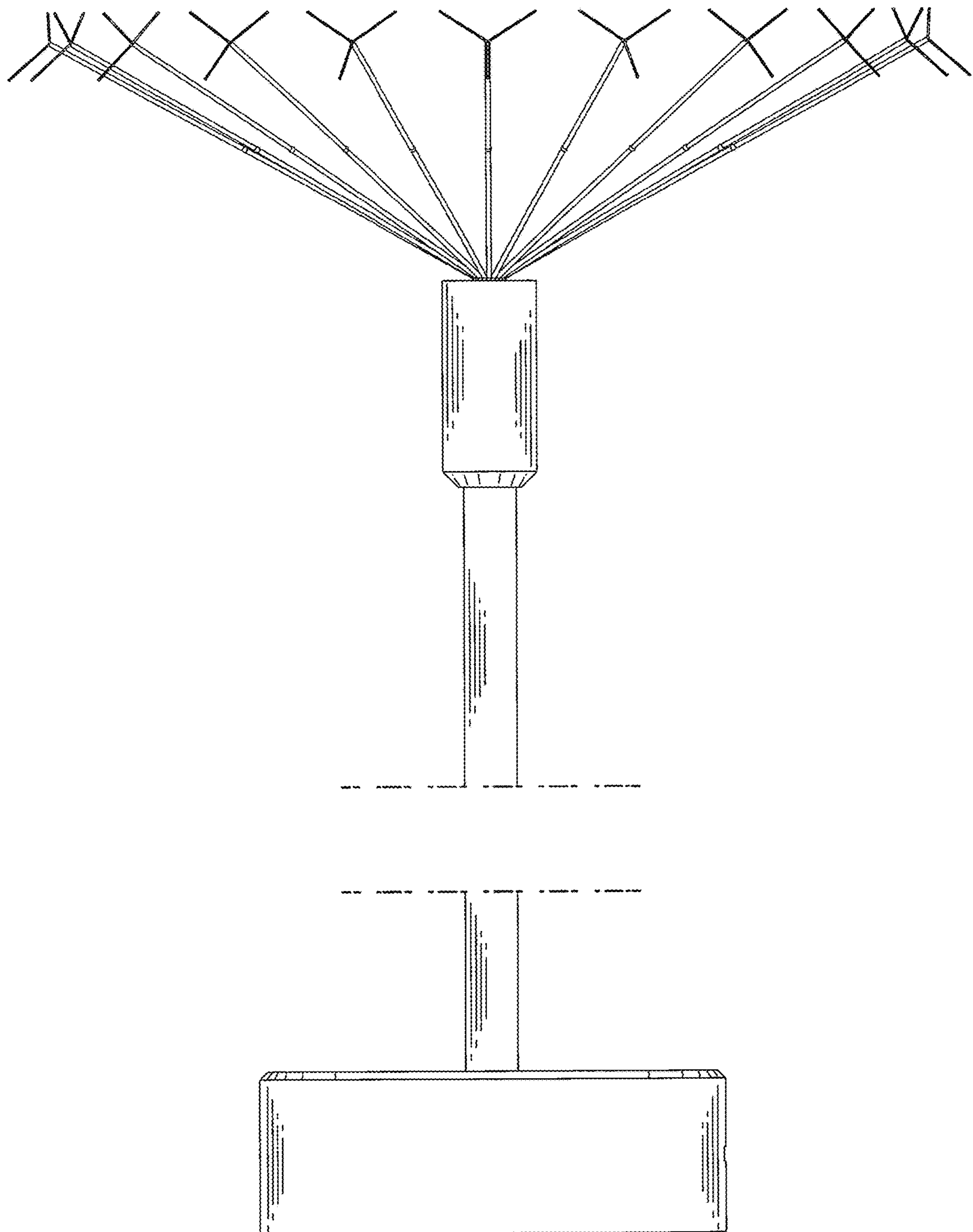


FIG. 4

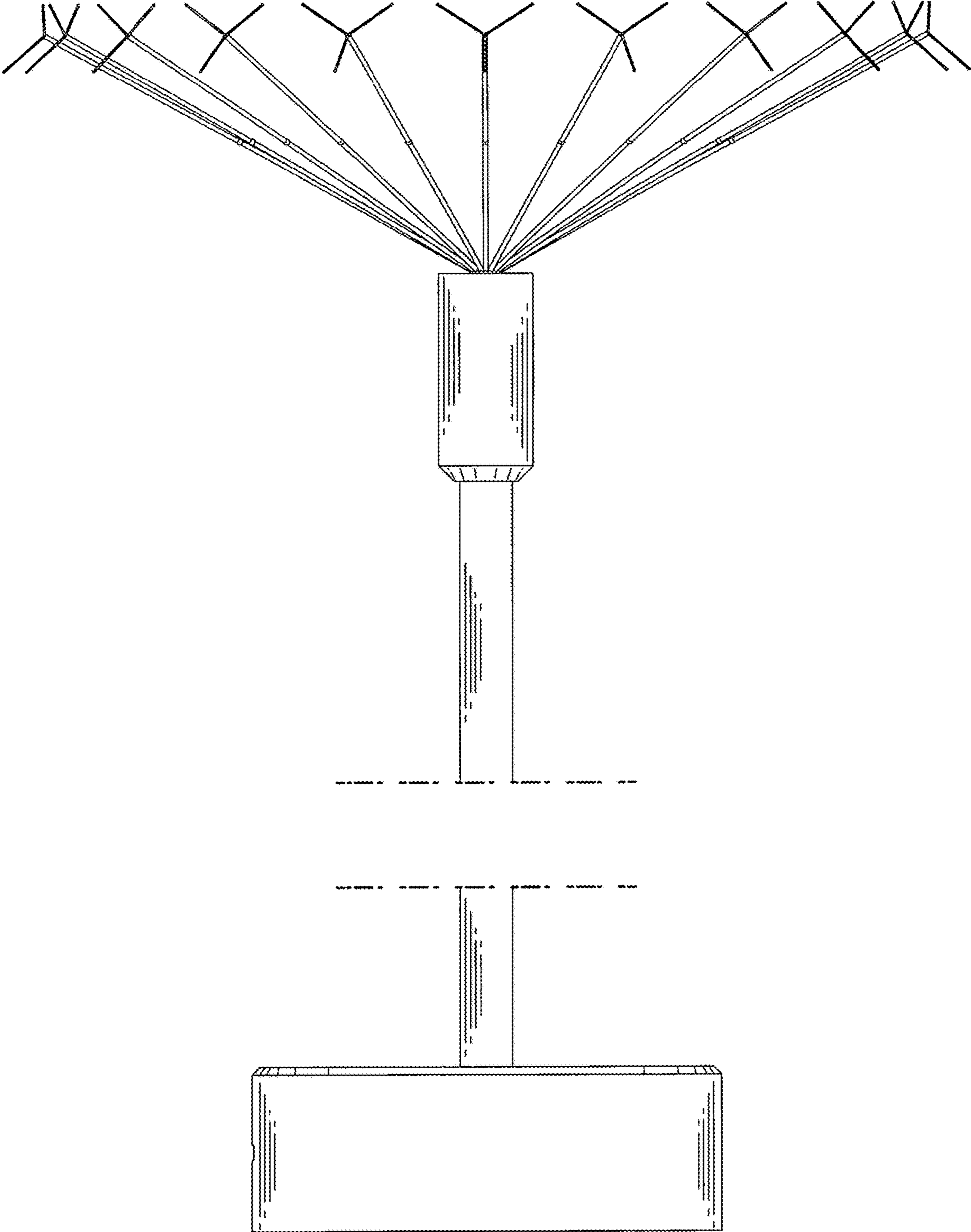


FIG. 5

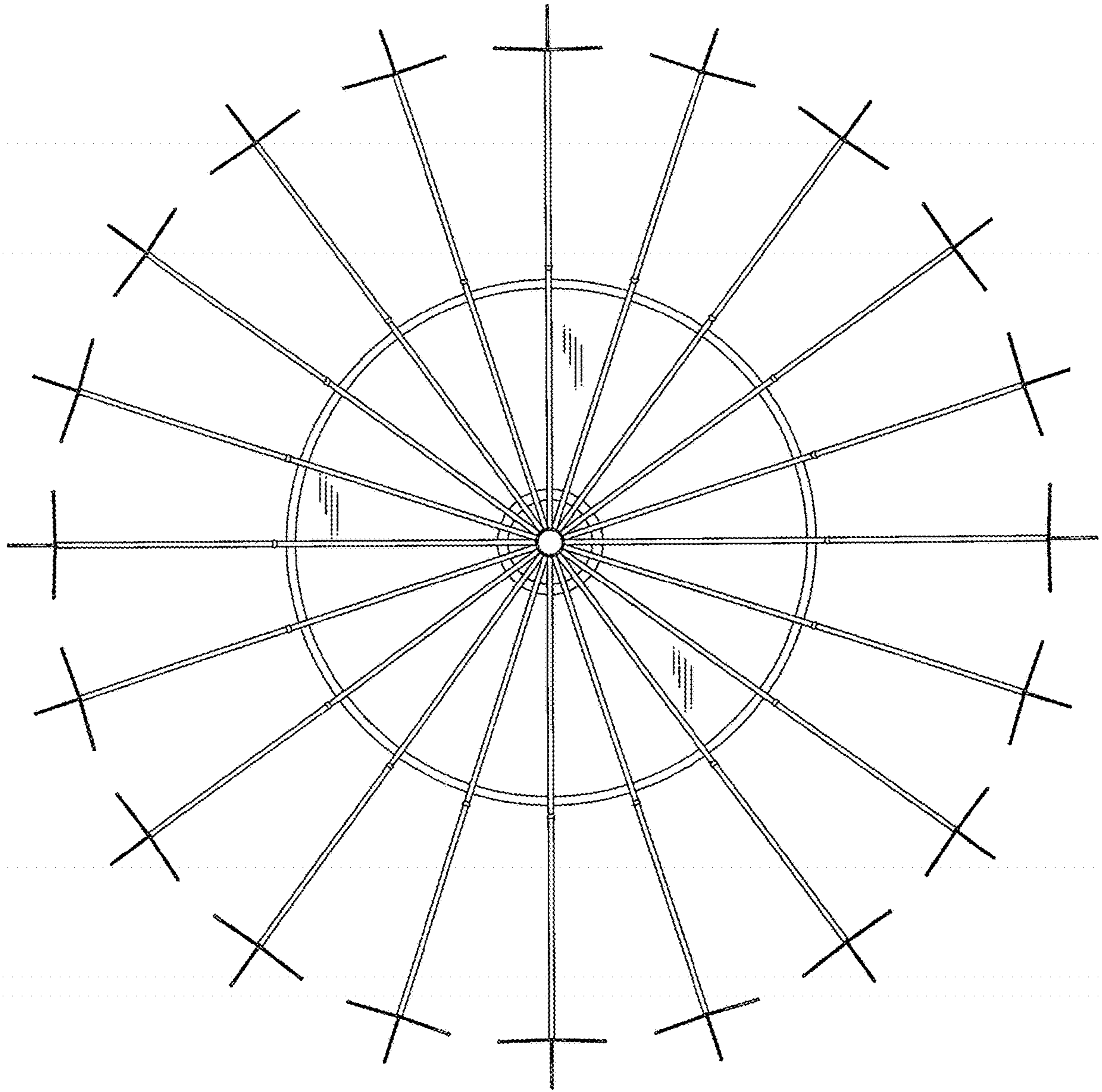


FIG. 6

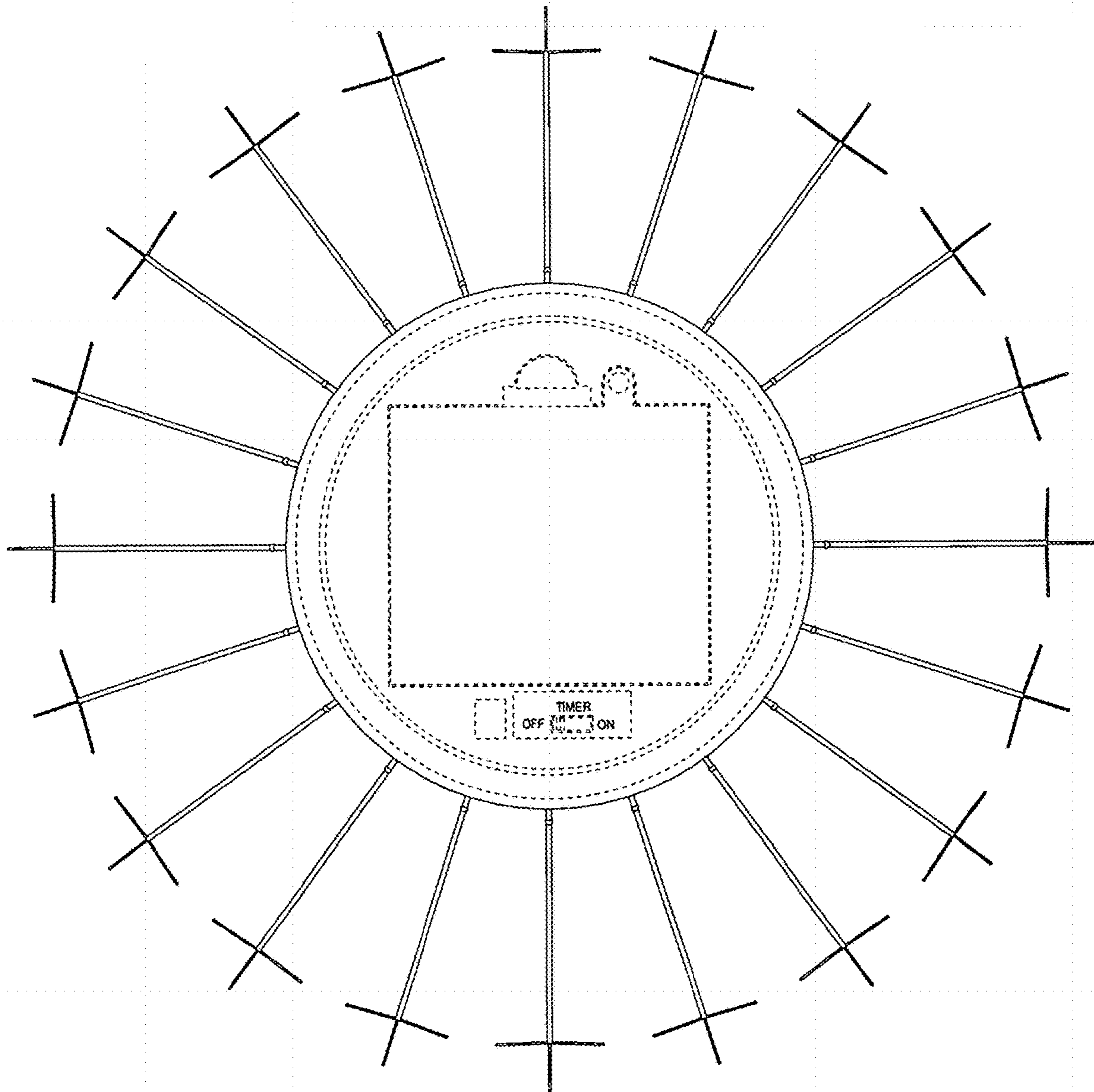


FIG. 7