



US00D945048S

(12) **United States Design Patent**
Zhou

(10) **Patent No.:** **US D945,048 S**
(45) **Date of Patent:** **** Mar. 1, 2022**

(54) **MULTIFUNCTIONAL LED DESK LAMP**

(71) Applicant: **Gangqiang Zhou**, Hunan (CN)

(72) Inventor: **Gangqiang Zhou**, Hunan (CN)

(73) Assignee: **Ziyi Li**, Shenzhen (CN)

(**) Term: **15 Years**

(21) Appl. No.: **29/774,776**

(22) Filed: **Mar. 19, 2021**

(51) **LOC (13) Cl.** **26-05**

(52) **U.S. Cl.**
USPC **D26/106**

(58) **Field of Classification Search**
USPC D26/1, 2, 3, 24, 61, 93, 106
CPC F21L 2/00; F21S 2/00; F21S 6/00; F21S
6/002; F21S 6/003
See application file for complete search history.

(56) **References Cited**

U.S. PATENT DOCUMENTS

D674,128 S *	1/2013	McCoy	D26/93
D792,015 S *	7/2017	Xiao	D26/106
D835,329 S	12/2018	Edgar		
D850,686 S *	6/2019	Wang	D26/60
D858,835 S *	9/2019	Xiao	D26/51
D873,463 S *	1/2020	Wang	D26/65
D874,710 S *	2/2020	Tong	H05B 47/115
				D26/93
10,601,973 B1 *	3/2020	Raghunathan	H05K 5/03
D882,858 S	4/2020	Sun		
D903,930 S	12/2020	Chen		
D913,572 S	3/2021	Qinwen		
D921,950 S *	6/2021	Ye	F21V 23/0492
				D26/60
11,112,102 B2 *	9/2021	Pan	H05B 47/115

2018/0058647 A1 *	3/2018	He	F21V 23/06
2020/0332973 A1 *	10/2020	Wang	F21S 6/002
2020/0355359 A1 *	11/2020	Pan	H05B 47/115
2021/0254818 A1 *	8/2021	Liu	F21V 23/0492

FOREIGN PATENT DOCUMENTS

GB 6134440 * 4/2021

OTHER PUBLICATIONS

Amazon, "AFROG Multifunctional LED Desk Lamp", first available Aug. 9, 2019. (<https://www.amazon.com/Multifunctional-Wireless-Brightness-Sensitive-Eye-Caring/dp/B07WLQ2BTY>) (Year: 2019).*

Amazon, "FURANDE Led Desk Lamp", first available Aug. 10, 2020. (<https://www.amazon.com/dp/B08CGMYTZ1/>) (Year: 2020).*

(Continued)

Primary Examiner — Lauren D McVey

Assistant Examiner — Justin A Johnson

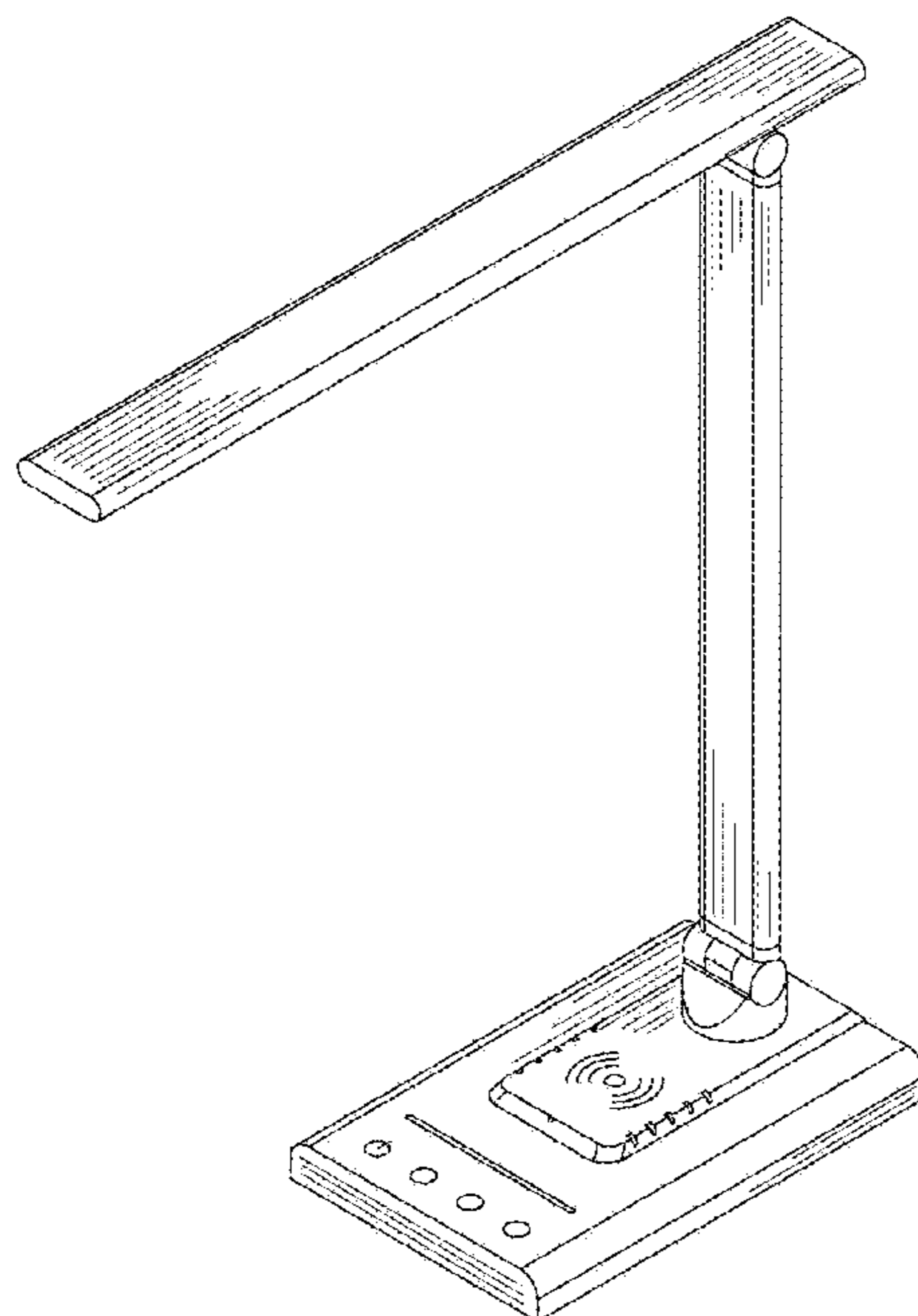
(57) **CLAIM**

The ornamental design for a multifunctional LED desk lamp, as shown and described.

DESCRIPTION

FIG. 1 is a perspective view of a multifunctional LED desk lamp showing my new design;
FIG. 2 is a front elevational view thereof;
FIG. 3 is a rear elevational view thereof;
FIG. 4 is a top plan view thereof;
FIG. 5 is a bottom plan view thereof;
FIG. 6 is a right side elevational view thereof; and,
FIG. 7 is a left side elevational view thereof.
The broken lines immediately adjacent to the claim depict the bounds of the claimed design, while all other broken lines are directed to environment. The broken lines form no part of the claimed design.

1 Claim, 7 Drawing Sheets



(56)

References Cited

OTHER PUBLICATIONS

U Buy, "AFROG Multifunctional Led Desk Lamp (3rd Gen)", first available Sep. 21, 2020. (<https://www.ubuy.fi/en/product/3378YQUA-afrog-multifunctional-led-desk-lamp-with-fast-wireless-charger-usb-charging-port-5-lighting-modes-7>) (Year: 2020).*

Amazon, "LED Desk Lamp with Smart Features", first available Jul. 30, 2021. (<https://www.amazon.com/dp/B09BJCB1H6/>) (Year: 2021).*

* cited by examiner

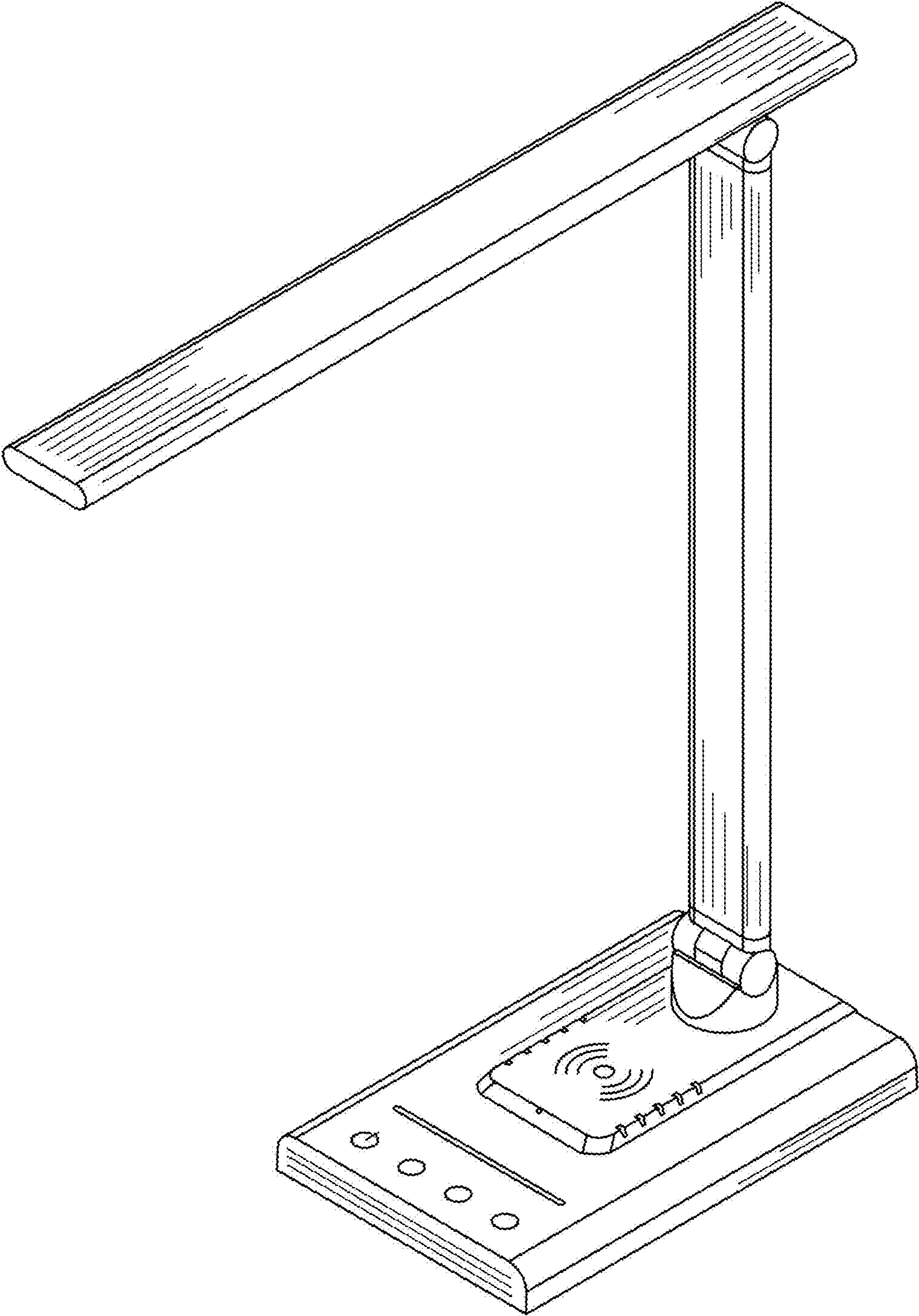


FIG.1

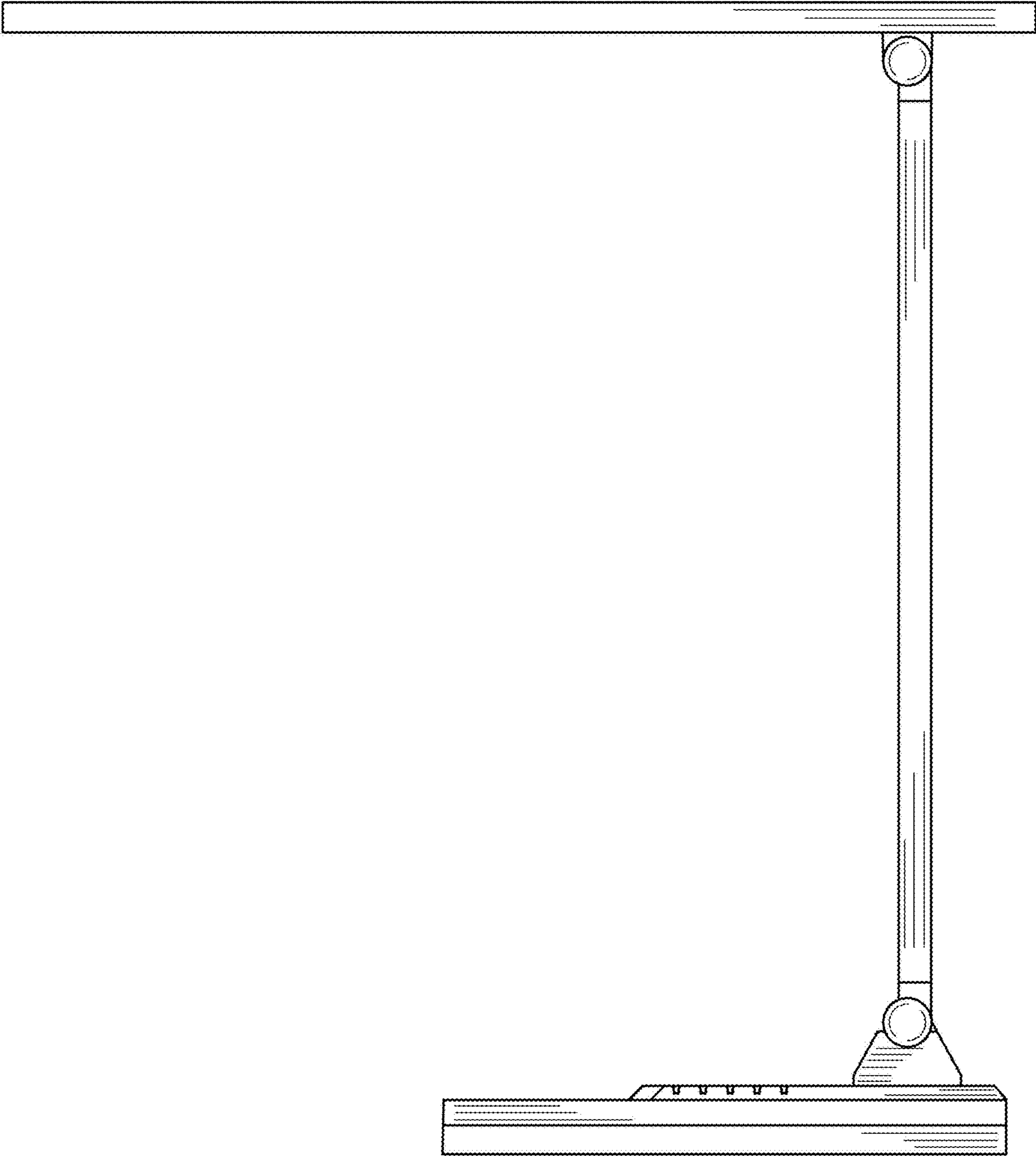


FIG.2

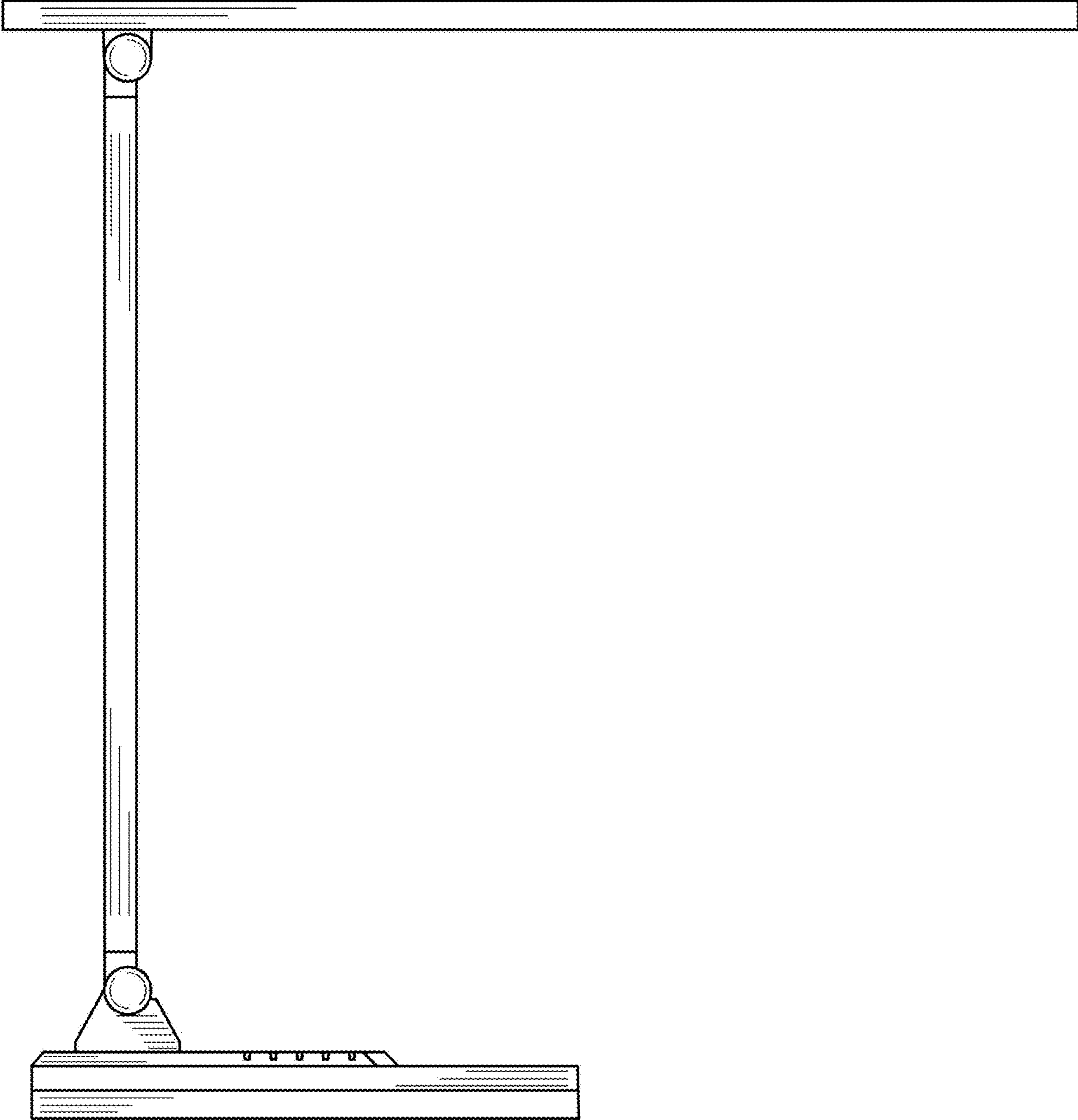


FIG.3

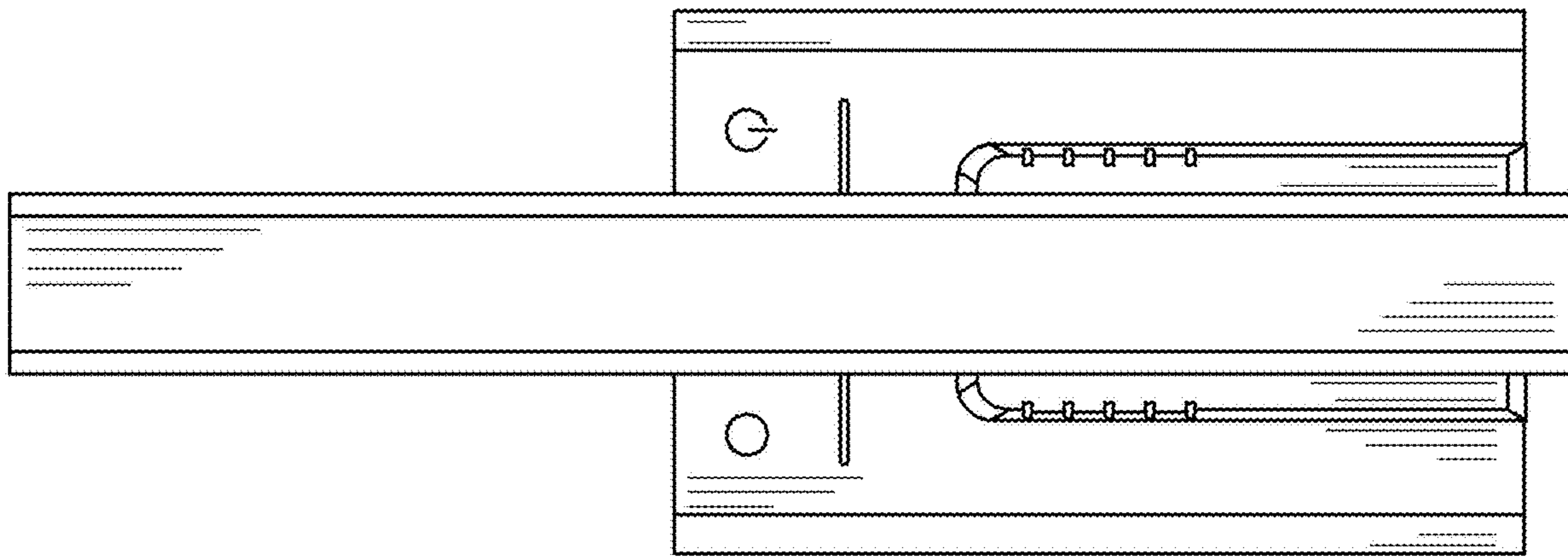


FIG.4

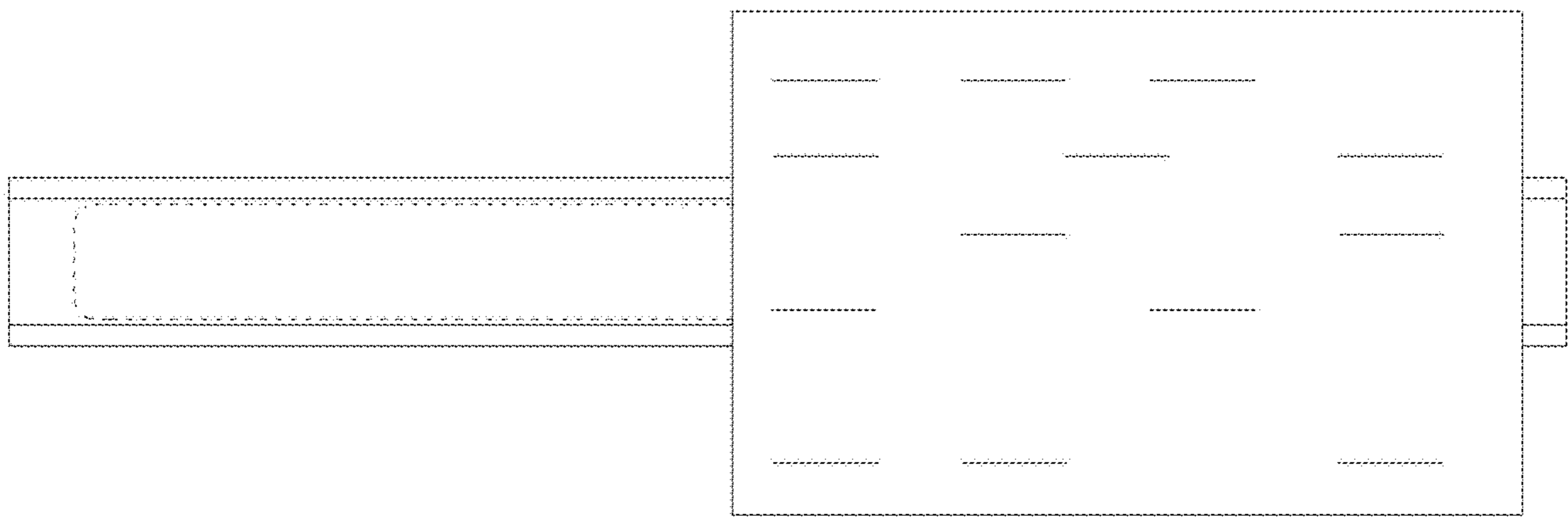


FIG.5

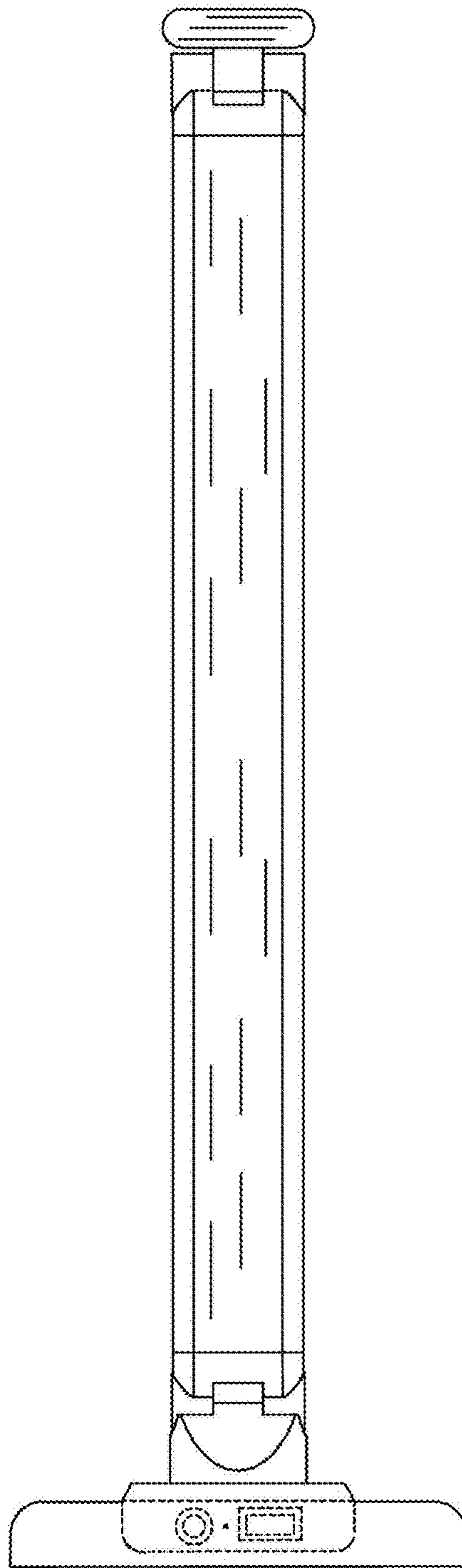


FIG.6

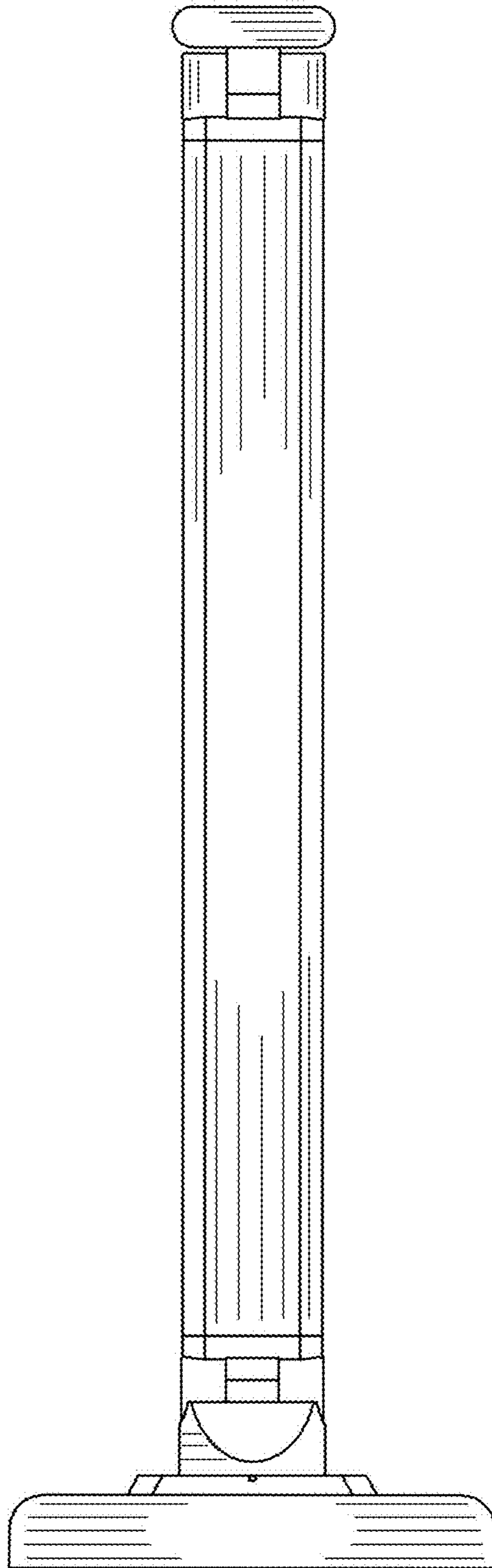


FIG.7