



US00D945047S

(12) **United States Design Patent**
Jiang

(10) **Patent No.:** **US D945,047 S**

(45) **Date of Patent:** **** Mar. 1, 2022**

(54) **LAMP**

(71) Applicant: **Heng Jiang**, Sichuan (CN)

(72) Inventor: **Heng Jiang**, Sichuan (CN)

(**) Term: **15 Years**

(21) Appl. No.: **29/763,763**

(22) Filed: **Dec. 23, 2020**

(51) **LOC (13) Cl.** **26-03**

(52) **U.S. Cl.**
USPC **D26/86**

(58) **Field of Classification Search**
USPC D26/72, 80, 84-88, 92
CPC .. F21S 8/033; F21S 8/035; F21S 8/036; F21S
8/046

See application file for complete search history.

(56) **References Cited**

U.S. PATENT DOCUMENTS

D813,436 S *	3/2018	Verelst	D26/72
D816,881 S *	5/2018	Qiao	D26/86
D816,882 S *	5/2018	Qiao	D26/86
D822,233 S	7/2018	Wang et al.	
D869,730 S *	12/2019	Lin	D26/80
D879,353 S *	3/2020	Lin	D26/87
D888,316 S *	6/2020	Huang	D26/86
D898,269 S *	10/2020	Huang	D26/86
D908,945 S *	1/2021	Zheng	D26/86
D925,807 S *	7/2021	Chen	D26/87
D939,128 S *	12/2021	Mei	D26/86

OTHER PUBLICATIONS

AMARTIZ Bathroom Vanity Light Fixture ASIN: B091Y2XZ2L available from amazon.com Aug. 3, 2021. (Year: 2021).*

SOLFART Dimmable LED Modern Matte Black Bathroom Vanity Light ASIN: B088F9JZC2 available from amazon.com May 11, 2020. (Year: 2020).*

Ralbay 3 Light Gold Bathroom Vanity Light ASIN: B0971J4T8Z available from amazon.com Jun. 10, 2021. (Year: 2021).*

* cited by examiner

Primary Examiner — Clare E Heflin

(57) **CLAIM**

The ornamental design for a lamp, as shown and described.

DESCRIPTION

FIG. 1 is a front and top perspective view of a lamp, showing my new design;

FIG. 2 is a rear and bottom perspective view thereof;

FIG. 3 is a front elevational view thereof;

FIG. 4 is a rear elevational view thereof;

FIG. 5 is a left side elevational view thereof;

FIG. 6 is a right side elevational view thereof;

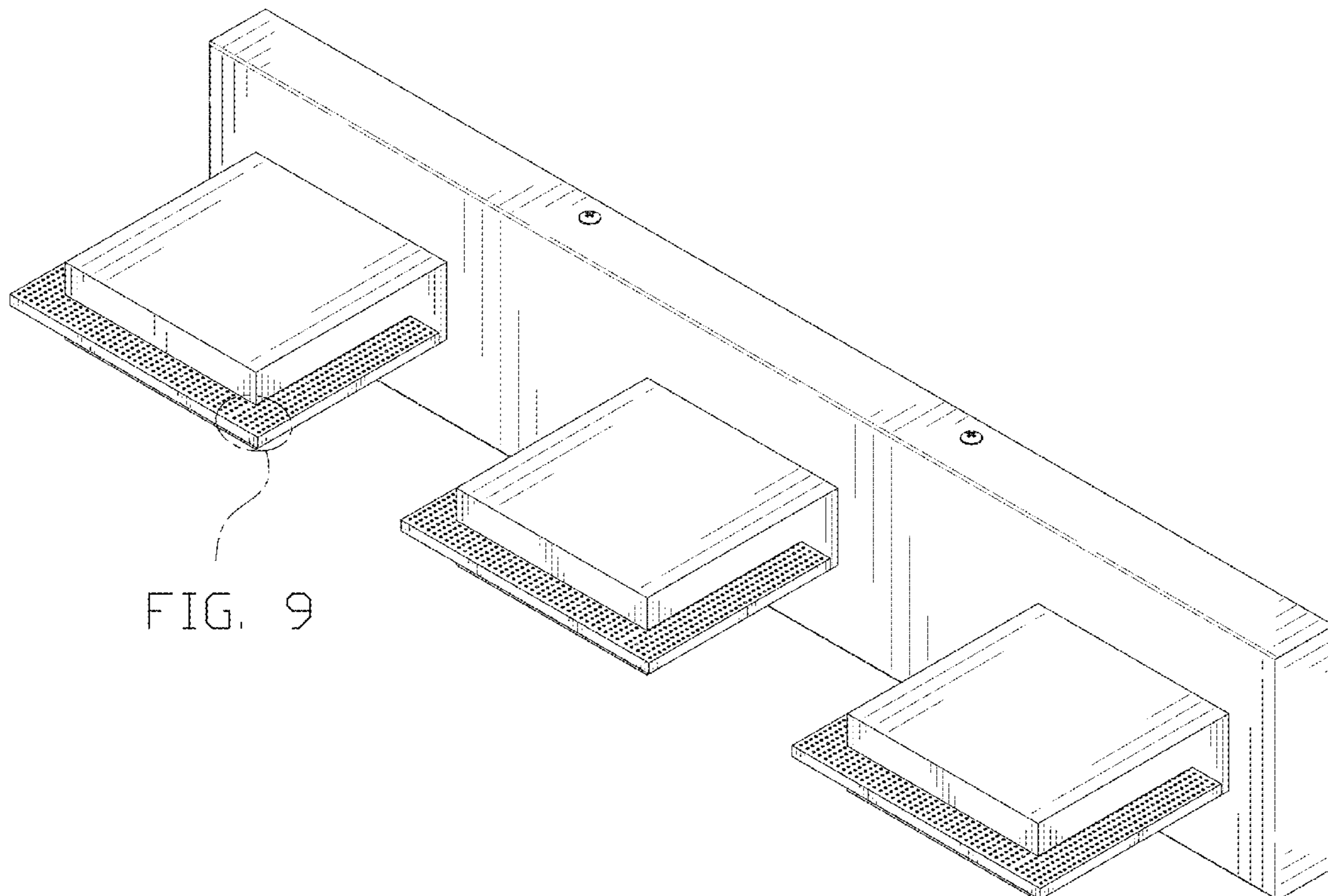
FIG. 7 is a top plan view thereof;

FIG. 8 is a bottom plan view thereof; and,

FIG. 9 is an enlarged view of a portion labeled FIG. 1.

The broken lines in the figures illustrate portions of the lamp that form no part of the claimed design. The dash dot dash lines in FIGS. 1 and 9 are for the purpose of depicting the cut line of the enlarged view and form no part of the claim.

1 Claim, 9 Drawing Sheets



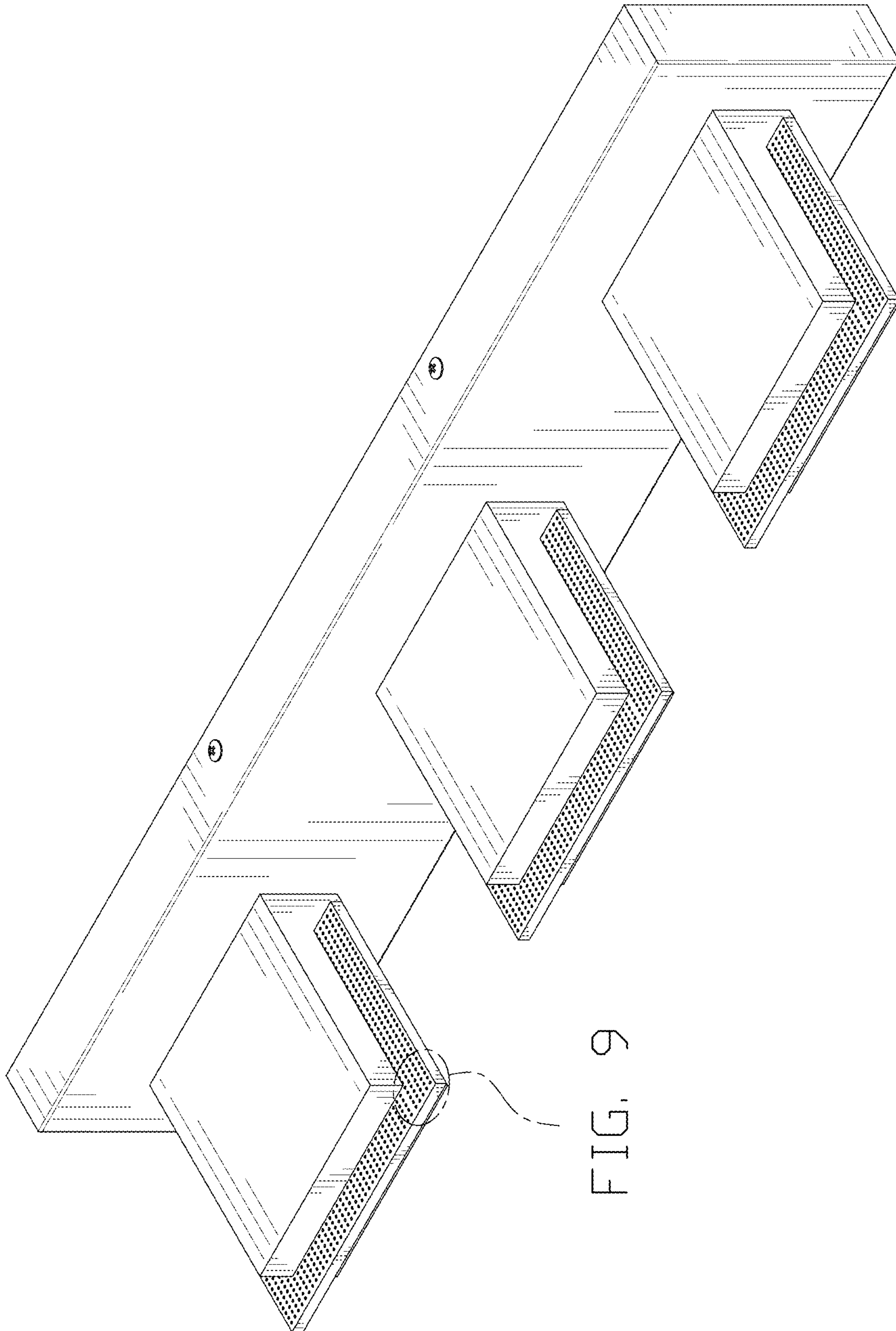


FIG. 9

FIG. 1

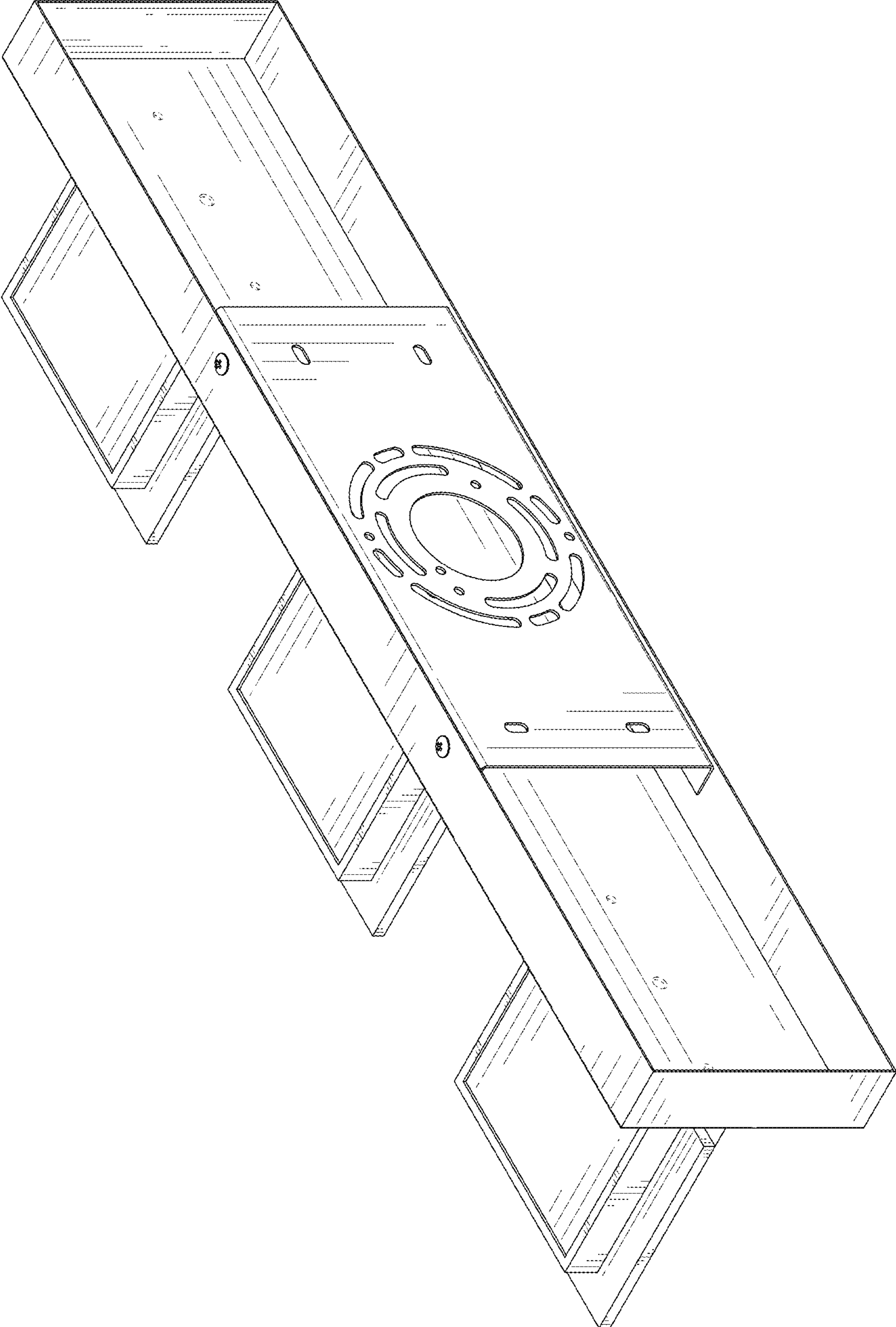


FIG. 2

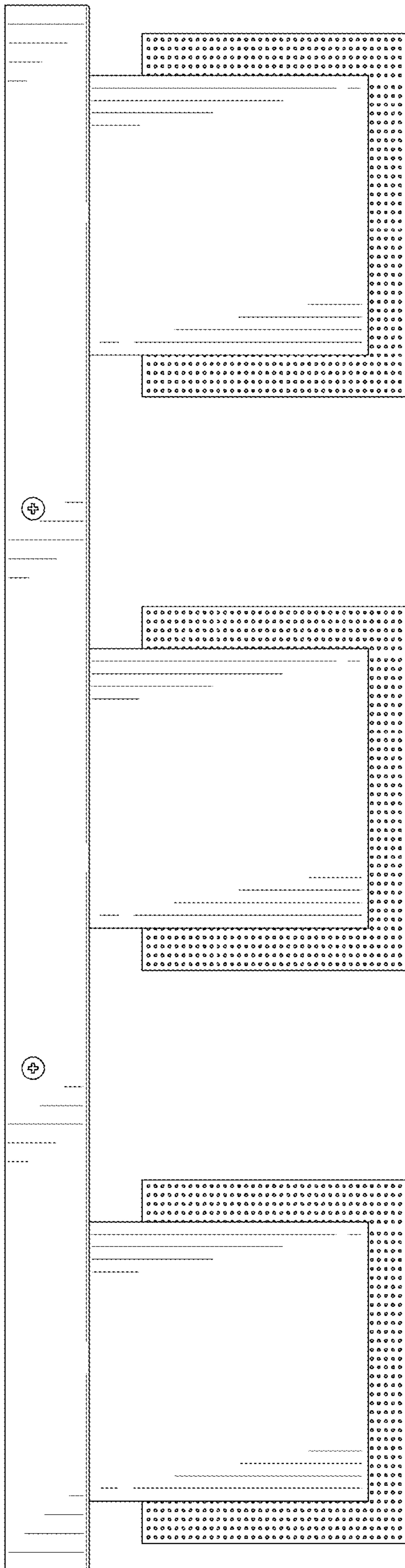


FIG. 3

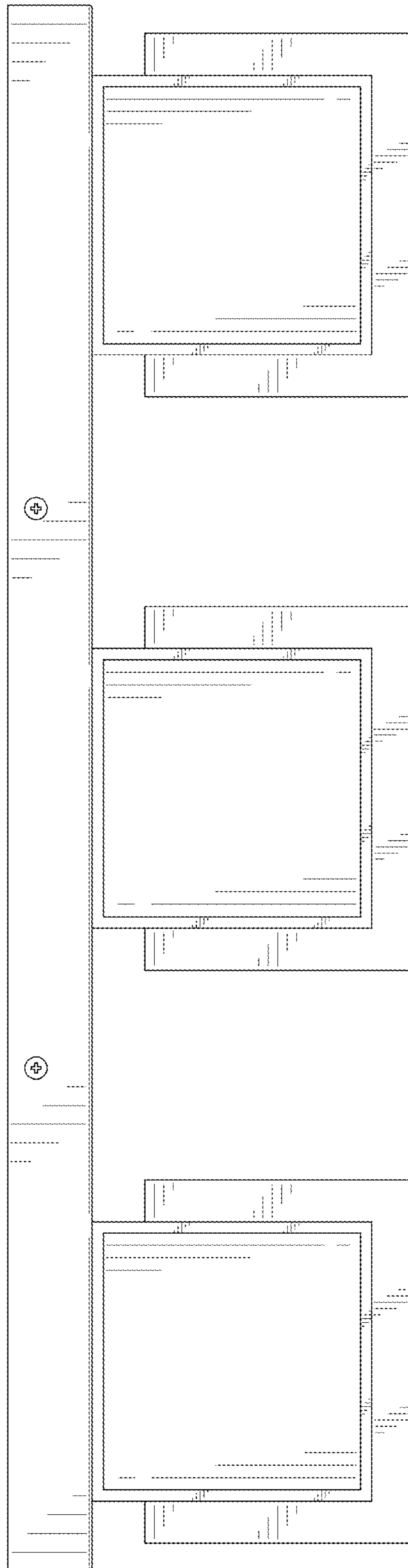


FIG. 4

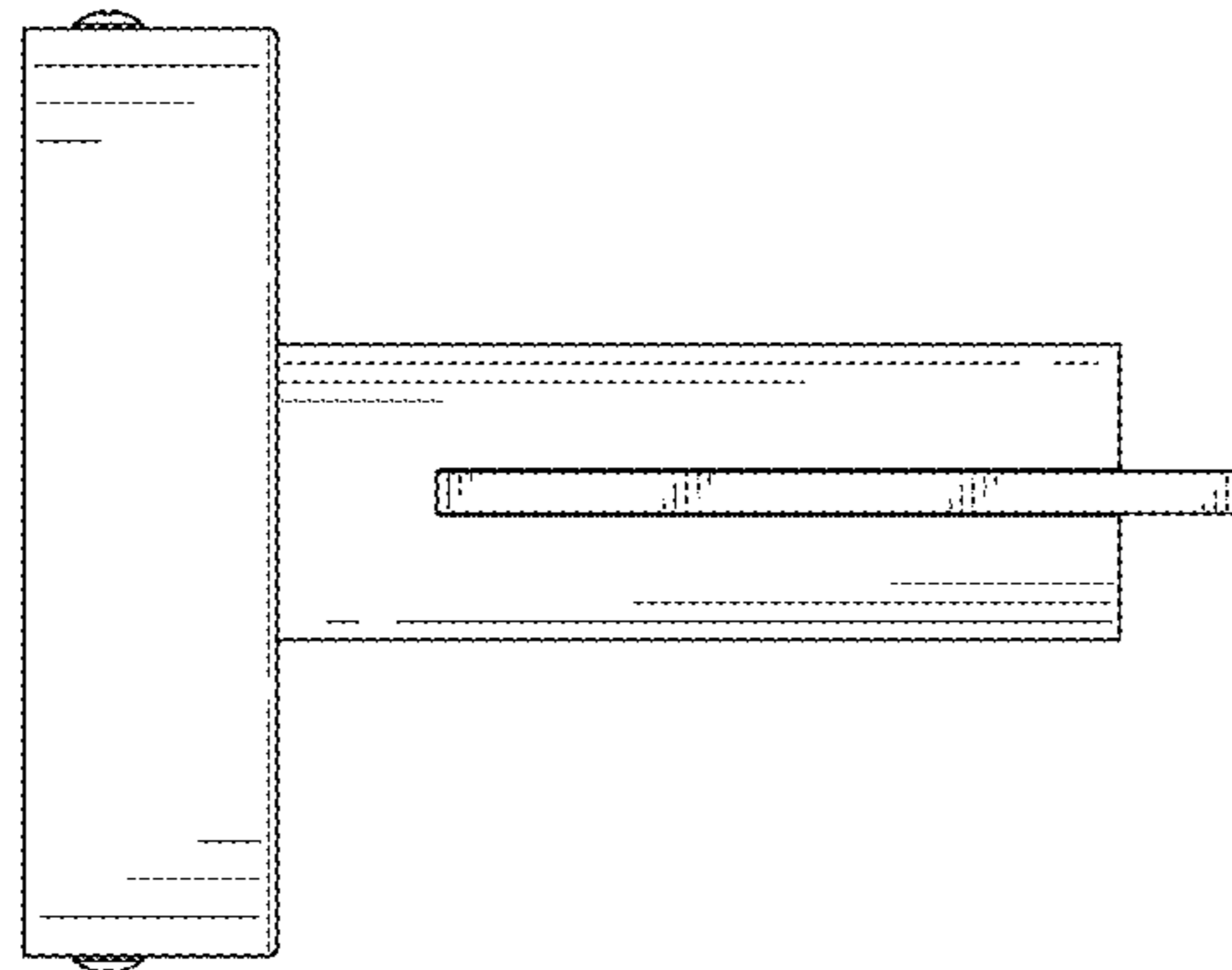


FIG. 5

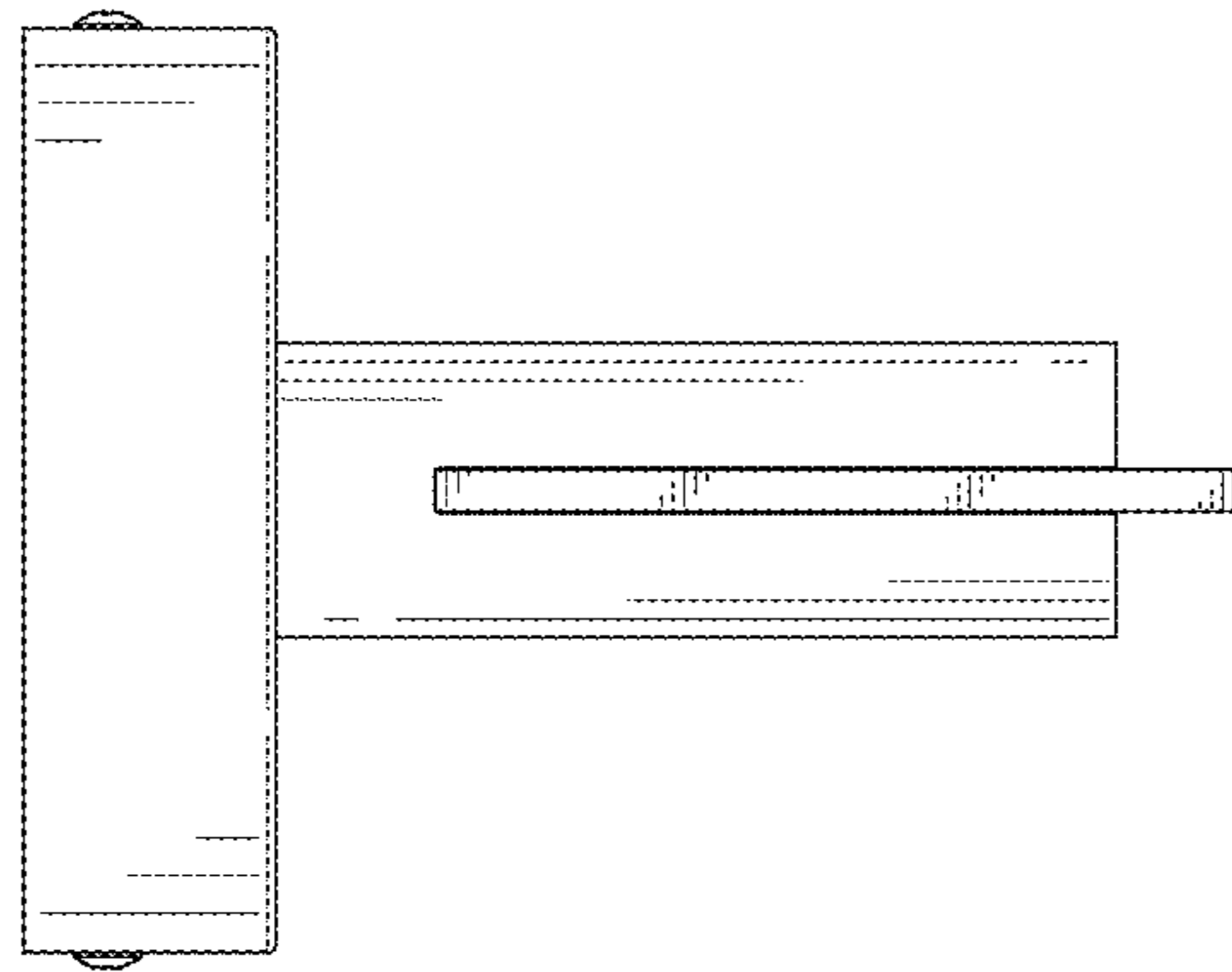


FIG. 6

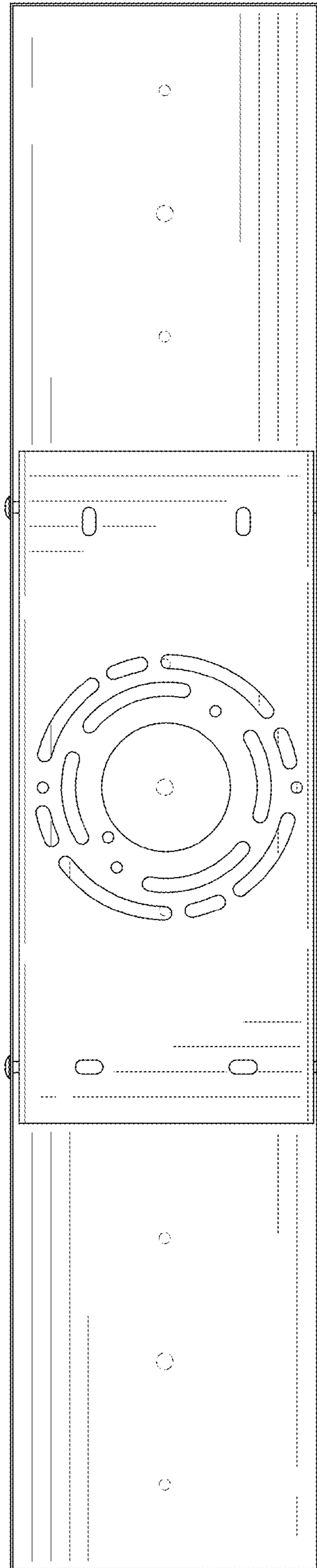


FIG. 7

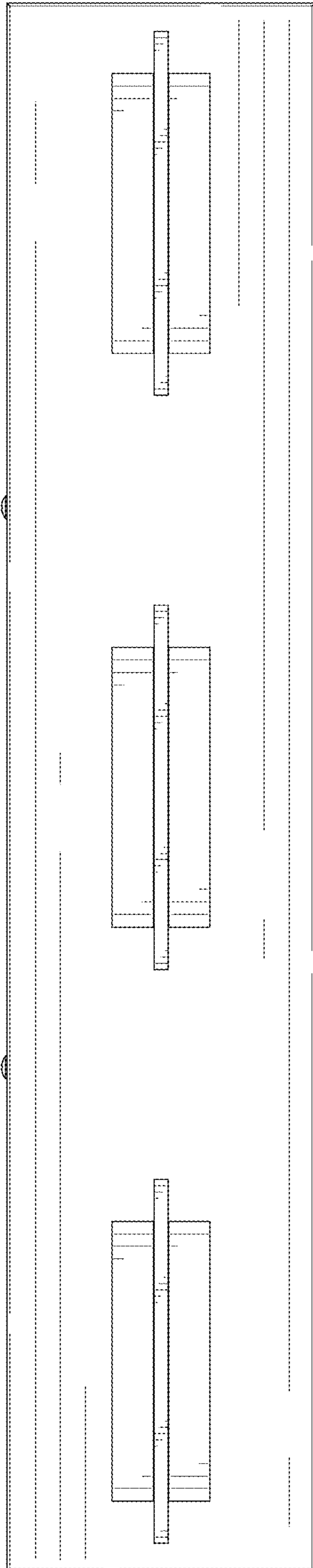


FIG. 8

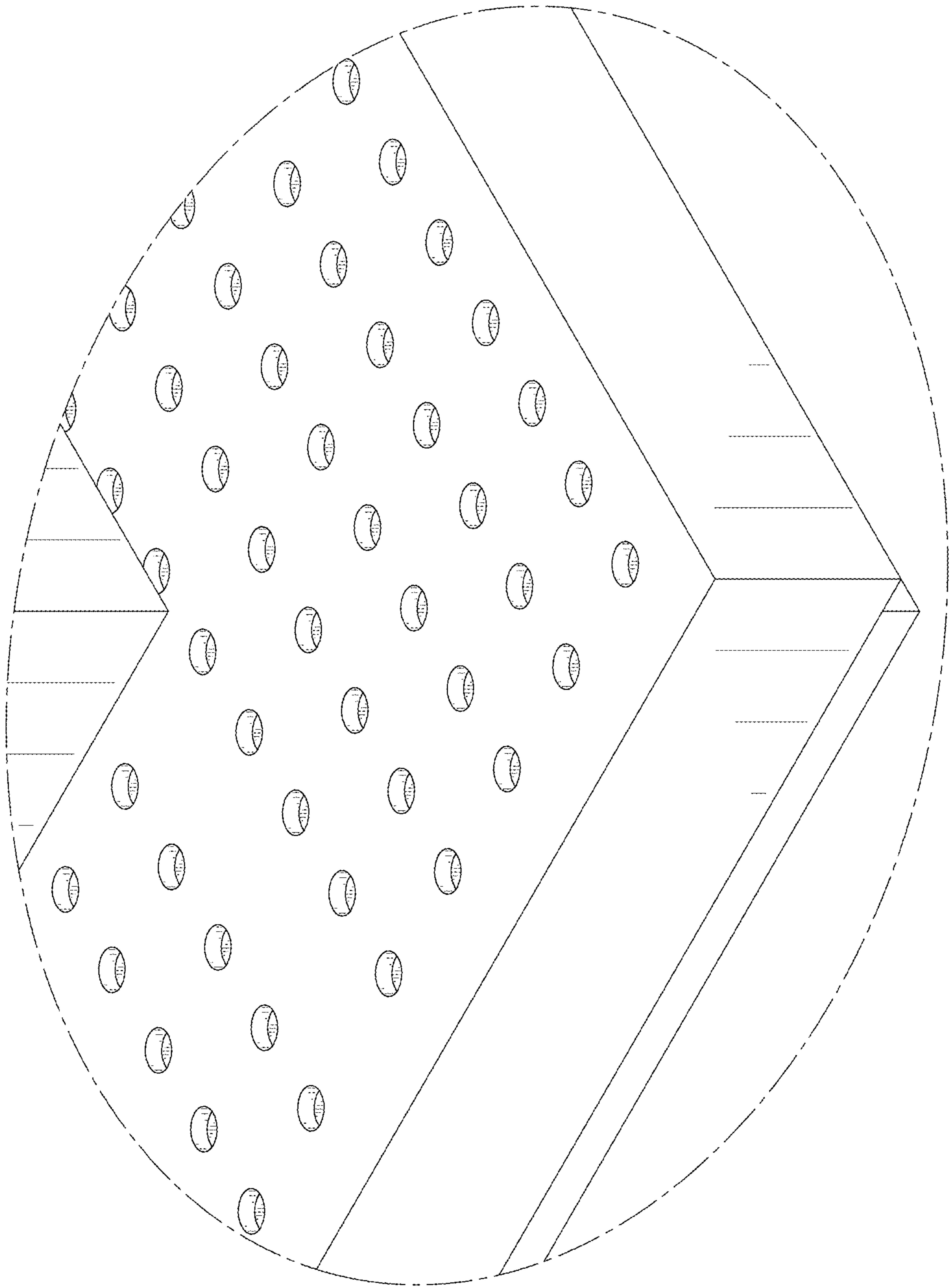


FIG. 9