



US00D945046S

(12) **United States Design Patent**
Shen

(10) **Patent No.:** **US D945,046 S**

(45) **Date of Patent:** **** Mar. 1, 2022**

(54) **SENSOR LIGHT**

(71) Applicant: **Xiaolong Shen**, Suizhou (CN)

(72) Inventor: **Xiaolong Shen**, Suizhou (CN)

(**) Term: **15 Years**

(21) Appl. No.: **29/773,870**

(22) Filed: **Mar. 12, 2021**

(51) **LOC (13) Cl.** **26-04**

(52) **U.S. Cl.**
USPC **D26/76; D26/85**

(58) **Field of Classification Search**
USPC D26/72, 74, 76, 78-83, 85, 86, 88, 90,
D26/93, 111, 113, 118-122, 138, 139,
D26/140, 141, 142, 152
CPC F21S 2/00; F21S 4/00; F21S 4/003; F21S
4/005; F21S 4/006; F21S 4/007; F21S
4/008; F21S 6/00; F21S 8/00; F21S
8/024; F21S 8/026; F21S 8/031; F21S
8/033; F21S 8/035-037; F21S 8/04; F21S
8/043; F21S 8/063

See application file for complete search history.

(56) **References Cited**

U.S. PATENT DOCUMENTS

D603,545 S * 11/2009 Levine D26/63
D608,043 S * 1/2010 Ko D26/76
D693,514 S * 11/2013 Mueller D26/76
D715,466 S * 10/2014 Wang D26/24
D735,390 S * 7/2015 Yanping D26/74
D797,963 S * 9/2017 Johnson D26/24

D820,500 S * 6/2018 Li D26/85
D858,852 S * 9/2019 Chen D26/76
D866,815 S 11/2019 Wang
D866,816 S 11/2019 Wang
D869,048 S * 12/2019 Chai D26/76
D872,339 S * 1/2020 Chen D26/76
D873,468 S * 1/2020 Ma D26/85
D874,709 S * 2/2020 Coleman D26/89
D900,374 S * 10/2020 Luo D26/85
D901,060 S * 11/2020 Ellis D26/76
D917,091 S * 4/2021 Ma D26/76
D938,087 S * 12/2021 Zou D26/72
D938,640 S * 12/2021 Zou D26/72
D940,376 * 1/2022 Yuan D26/76

* cited by examiner

Primary Examiner — Natasha Vujcic

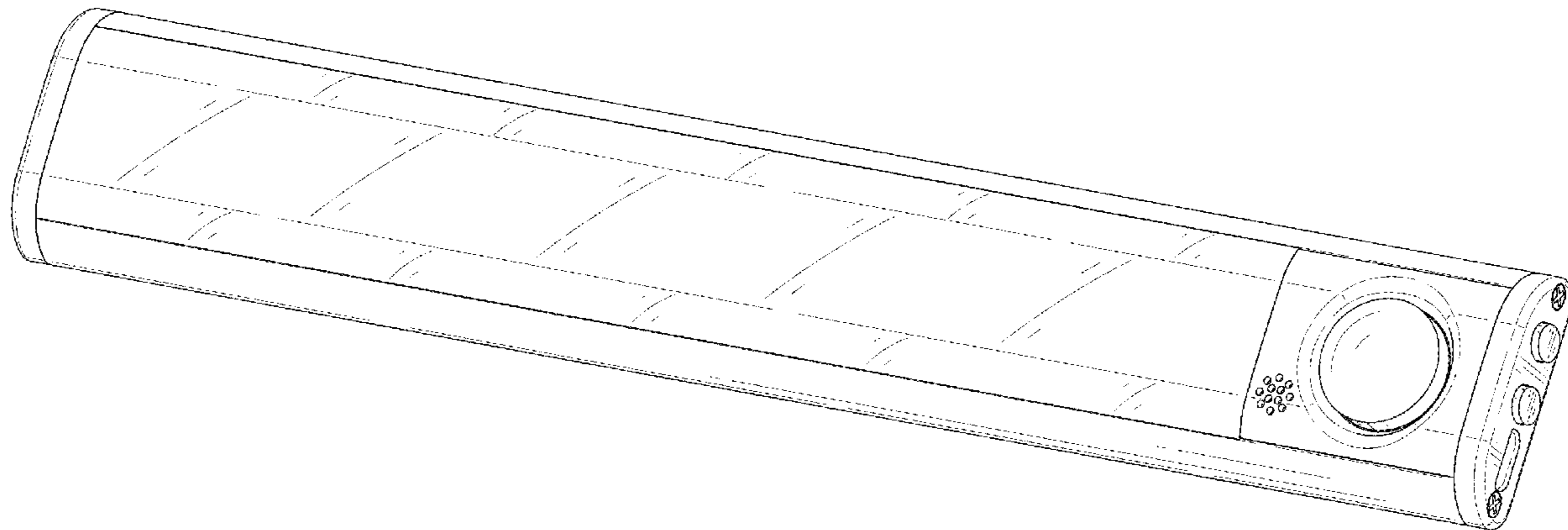
(57) **CLAIM**

The ornamental design for a sensor light, as shown and described.

DESCRIPTION

FIG. 1 is a perspective view of a sensor light showing my new design;
FIG. 2 is another perspective view thereof;
FIG. 3 is a front elevational view thereof;
FIG. 4 is a rear elevational view thereof;
FIG. 5 is a left side elevational view thereof;
FIG. 6 is a right side elevational view thereof;
FIG. 7 is a top plan view thereof; and,
FIG. 8 is a bottom plan view thereof.
The broken lines in the drawings depict portions of the sensor light that form no part of the claimed design.

1 Claim, 8 Drawing Sheets



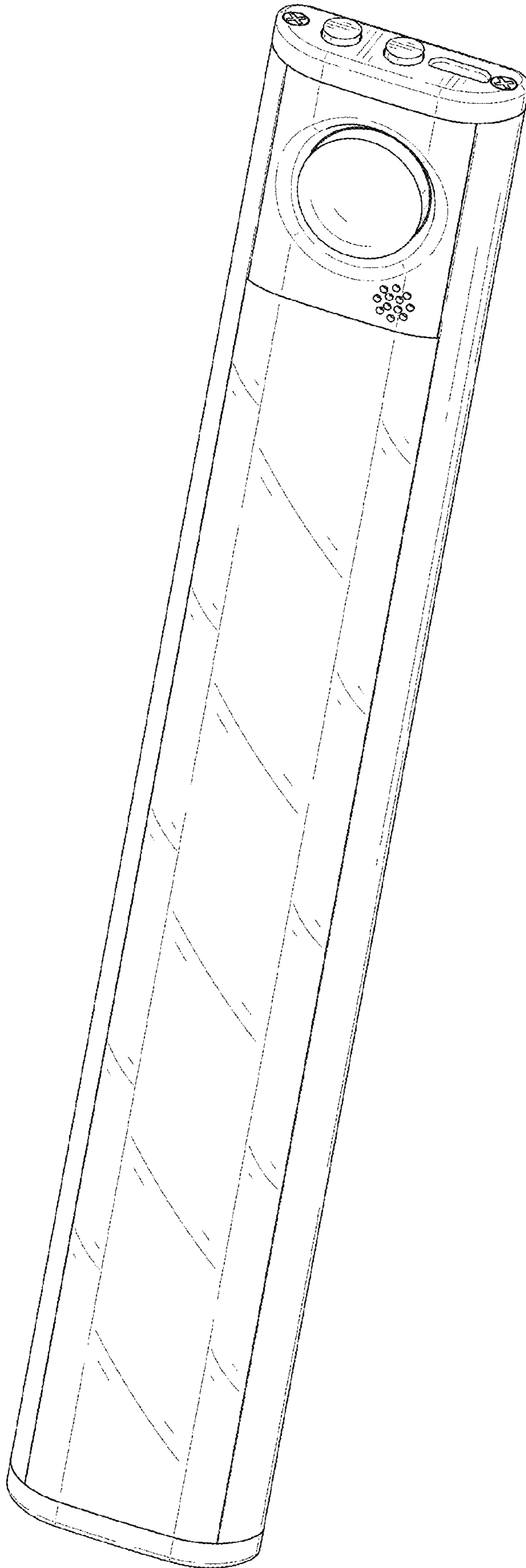


FIG. 1

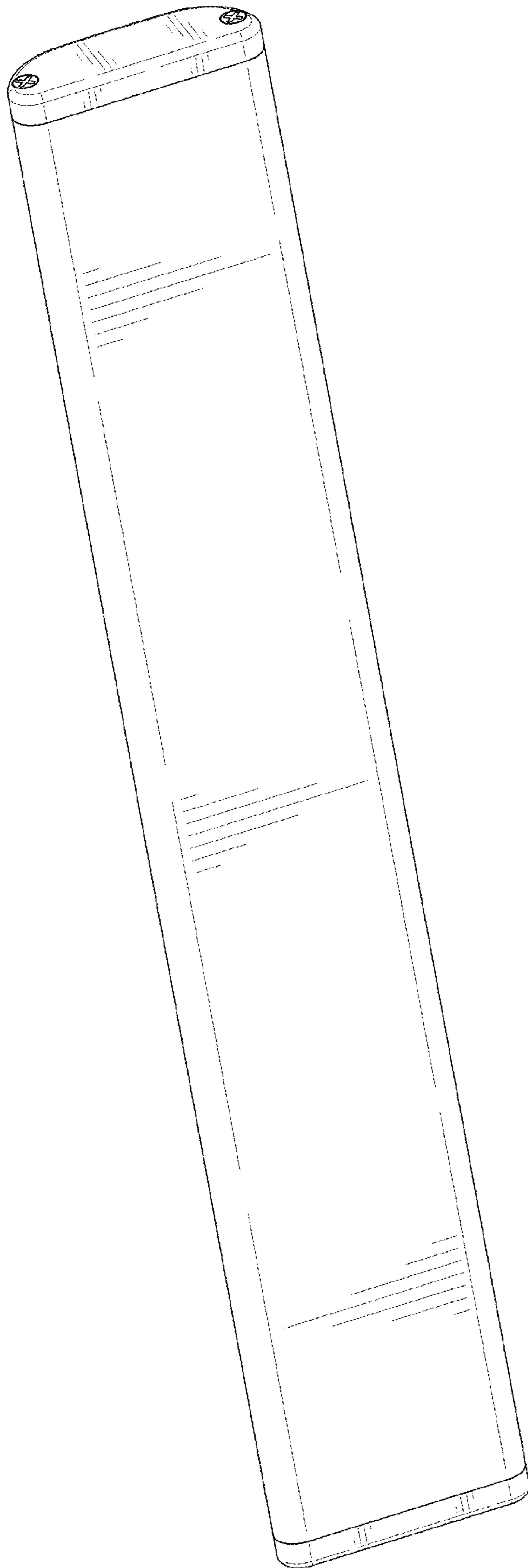


FIG. 2

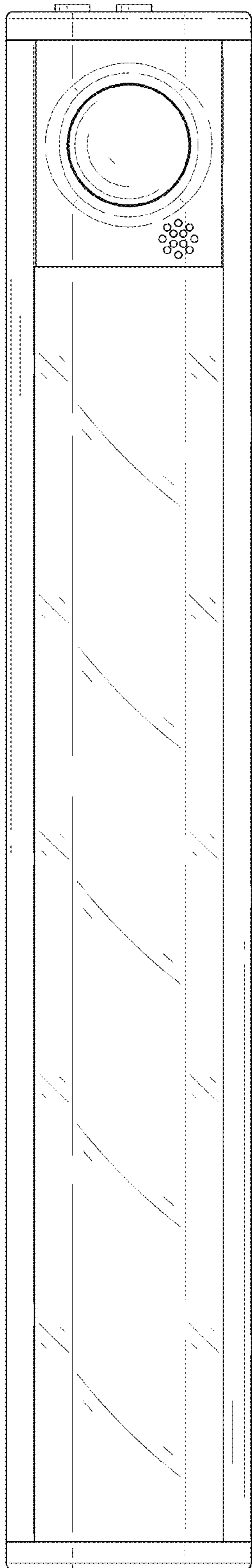


FIG. 3

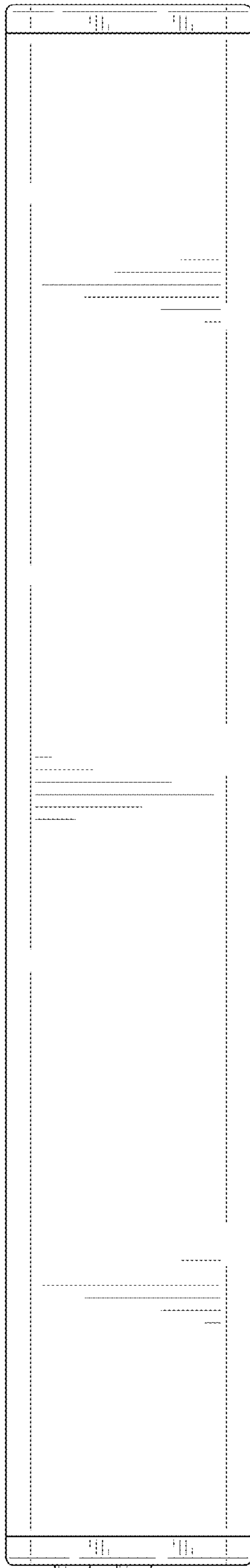


FIG. 4

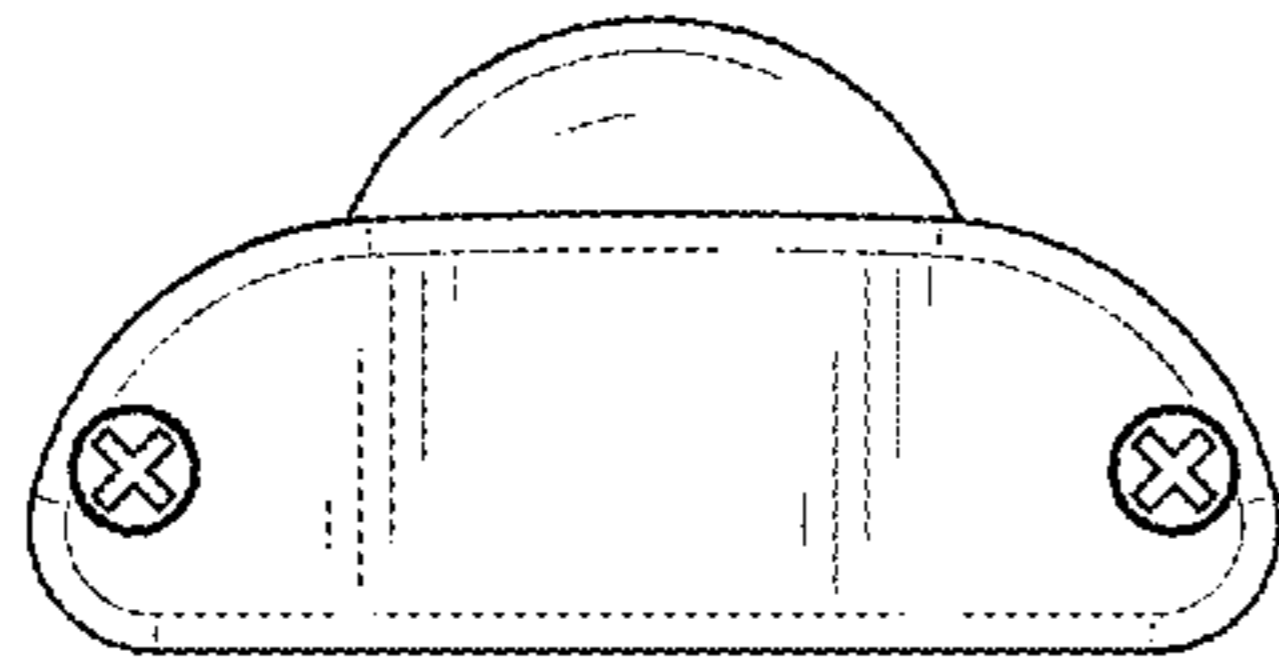


FIG. 5

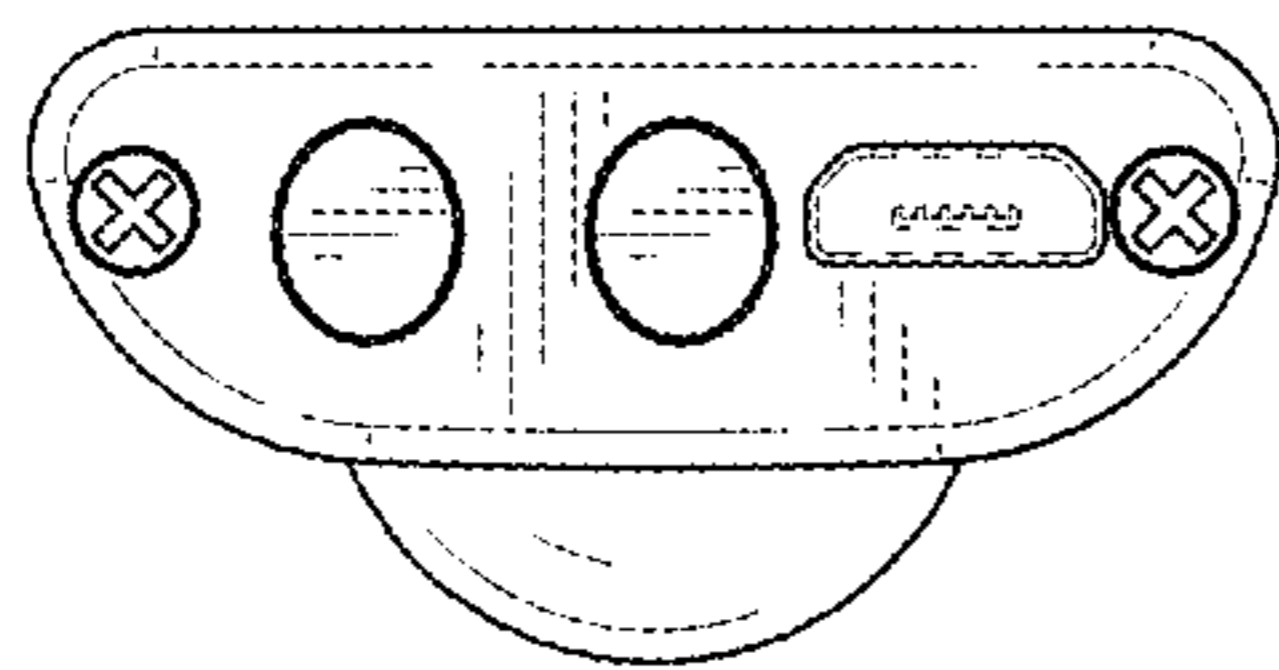


FIG. 6

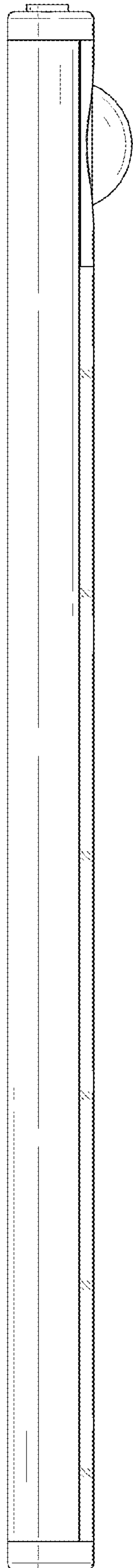


FIG. 7

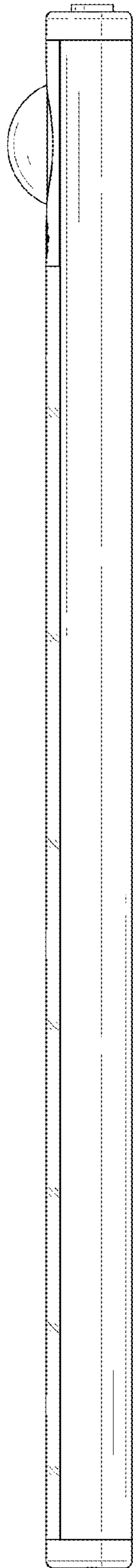


FIG. 8