



US00D945045S

(12) **United States Design Patent** (10) **Patent No.:** **US D945,045 S**  
**Shen** (45) **Date of Patent:** **\*\* Mar. 1, 2022**

(54) **SENSOR LIGHT**  
(71) Applicant: **Xiaolong Shen**, Suizhou (CN)  
(72) Inventor: **Xiaolong Shen**, Suizhou (CN)  
(\*\*) Term: **15 Years**  
(21) Appl. No.: **29/773,869**  
(22) Filed: **Mar. 12, 2021**  
(51) **LOC (13) Cl.** ..... **26-04**  
(52) **U.S. Cl.**  
USPC ..... **D26/76; D26/85**  
(58) **Field of Classification Search**  
USPC ..... D26/72, 74, 76, 78-83, 85, 86, 88, 90,  
D26/93, 111, 113, 118-122, 138, 139,  
D26/140, 141, 142, 152  
CPC ..... F21S 2/00; F21S 4/00; F21S 4/003; F21S  
4/005; F21S 4/006; F21S 4/007; F21S  
4/008; F21S 6/00; F21S 8/00; F21S  
8/024; F21S 8/026; F21S 8/031; F21S  
8/033; F21S 8/035-037; F21S 8/04; F21S  
8/043; F21S 8/063  
See application file for complete search history.

(56) **References Cited**  
U.S. PATENT DOCUMENTS  
D603,545 S \* 11/2009 Levine ..... D26/63  
D608,043 S \* 1/2010 Ko ..... D26/76  
D693,514 S \* 11/2013 Mueller ..... D26/76  
D715,466 S \* 10/2014 Wang ..... D26/24  
D735,390 S \* 7/2015 Yanping ..... D26/74  
D797,963 S \* 9/2017 Johnson ..... D26/24

D820,500 S \* 6/2018 Li ..... D26/85  
D858,852 S \* 9/2019 Chen ..... D26/76  
D866,815 S 11/2019 Wang  
D866,816 S 11/2019 Wang  
D869,048 S \* 12/2019 Chai ..... D26/76  
D872,339 S \* 1/2020 Chen ..... D26/76  
D873,468 S \* 1/2020 Ma ..... D26/85  
D874,709 S \* 2/2020 Coleman ..... D26/89  
D900,374 S \* 10/2020 Luo ..... D26/85  
D901,060 S \* 11/2020 Ellis ..... D26/76  
D917,091 S \* 4/2021 Ma ..... D26/76  
D938,087 S \* 12/2021 Zou ..... D26/72  
D938,640 S \* 12/2021 Zou ..... D26/72  
D940,376 \* 1/2022 Yuan ..... D26/76

\* cited by examiner

*Primary Examiner* — Natasha Vujcic

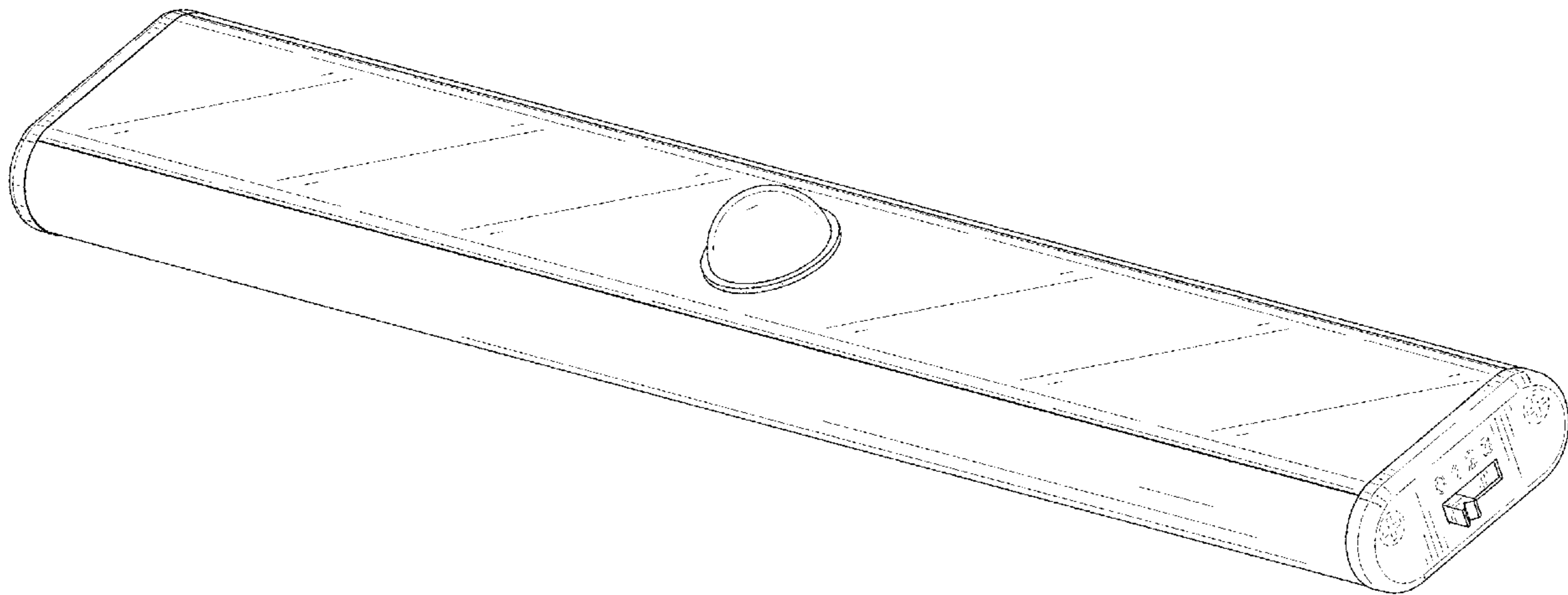
(57) **CLAIM**

The ornamental design for a sensor light, as shown and described.

**DESCRIPTION**

FIG. 1 is a perspective view of a sensor light showing my new design;  
FIG. 2 is another perspective view thereof;  
FIG. 3 is a front elevational view thereof;  
FIG. 4 is a rear elevational view thereof;  
FIG. 5 is a left side elevational view thereof;  
FIG. 6 is a right side elevational view thereof;  
FIG. 7 is a top plan view thereof; and,  
FIG. 8 is a bottom plan view thereof.  
The broken lines in the drawings depict portions of the sensor light that form no part of the claimed design.

**1 Claim, 8 Drawing Sheets**



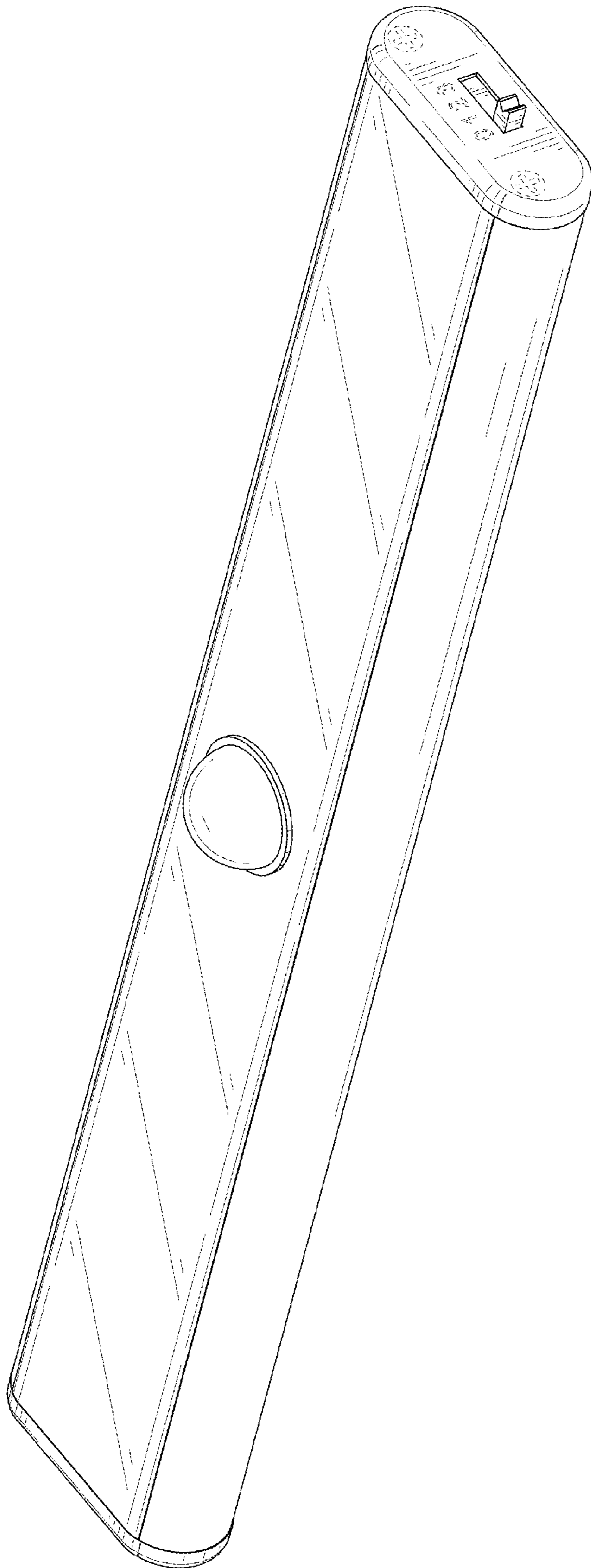


FIG. 1

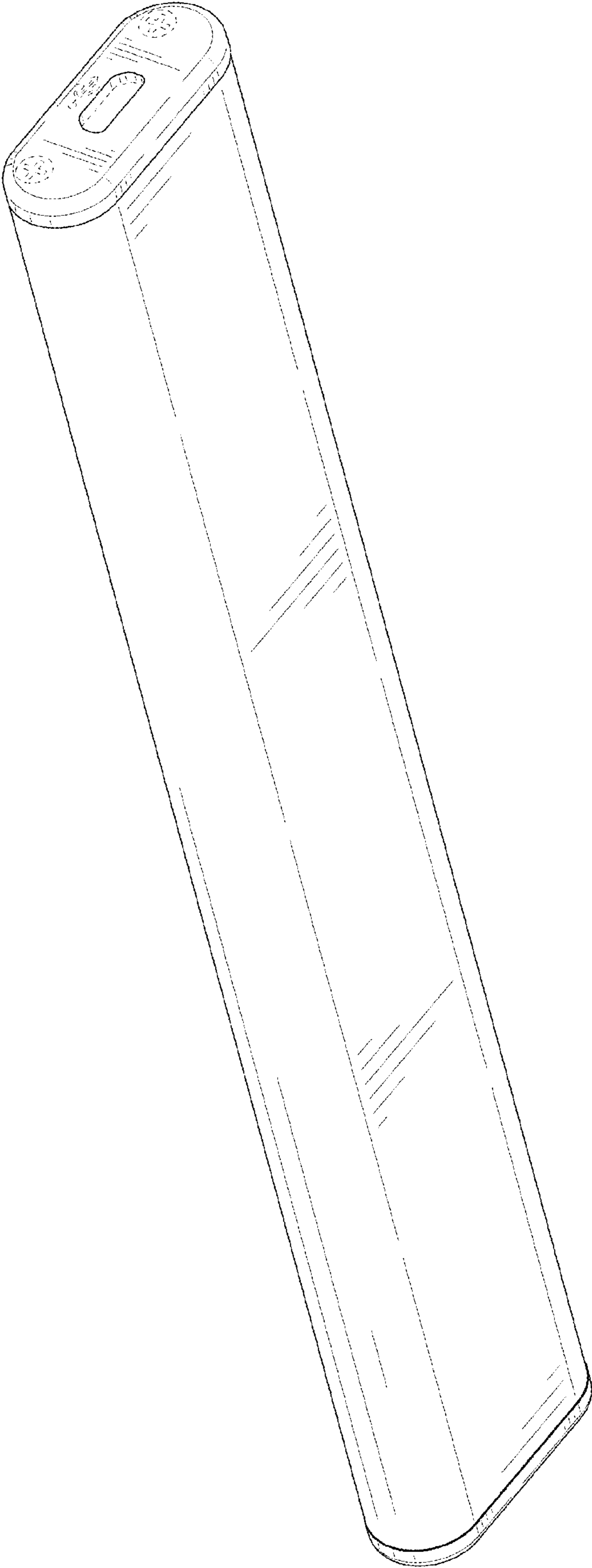


FIG. 2

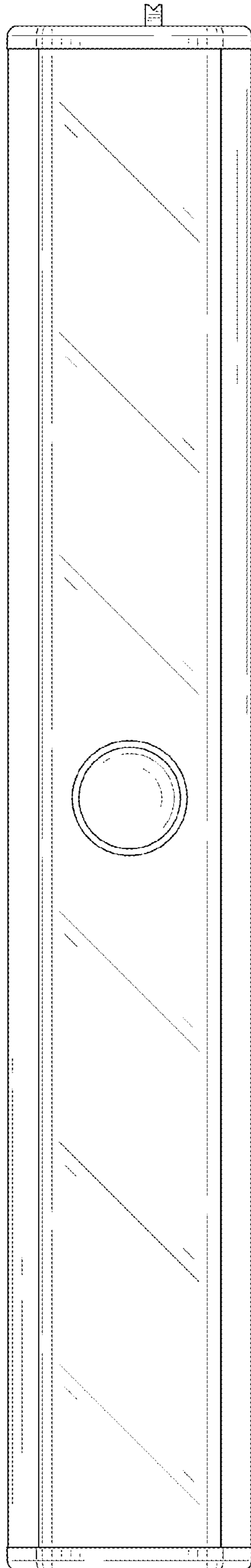


FIG. 3

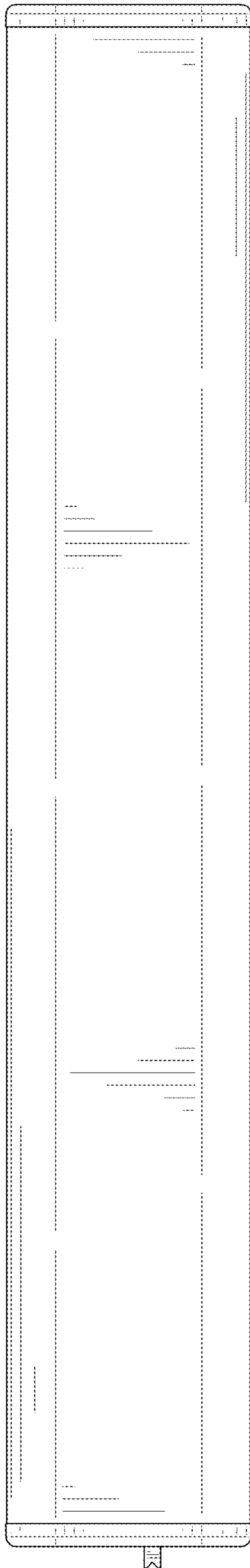


FIG. 4

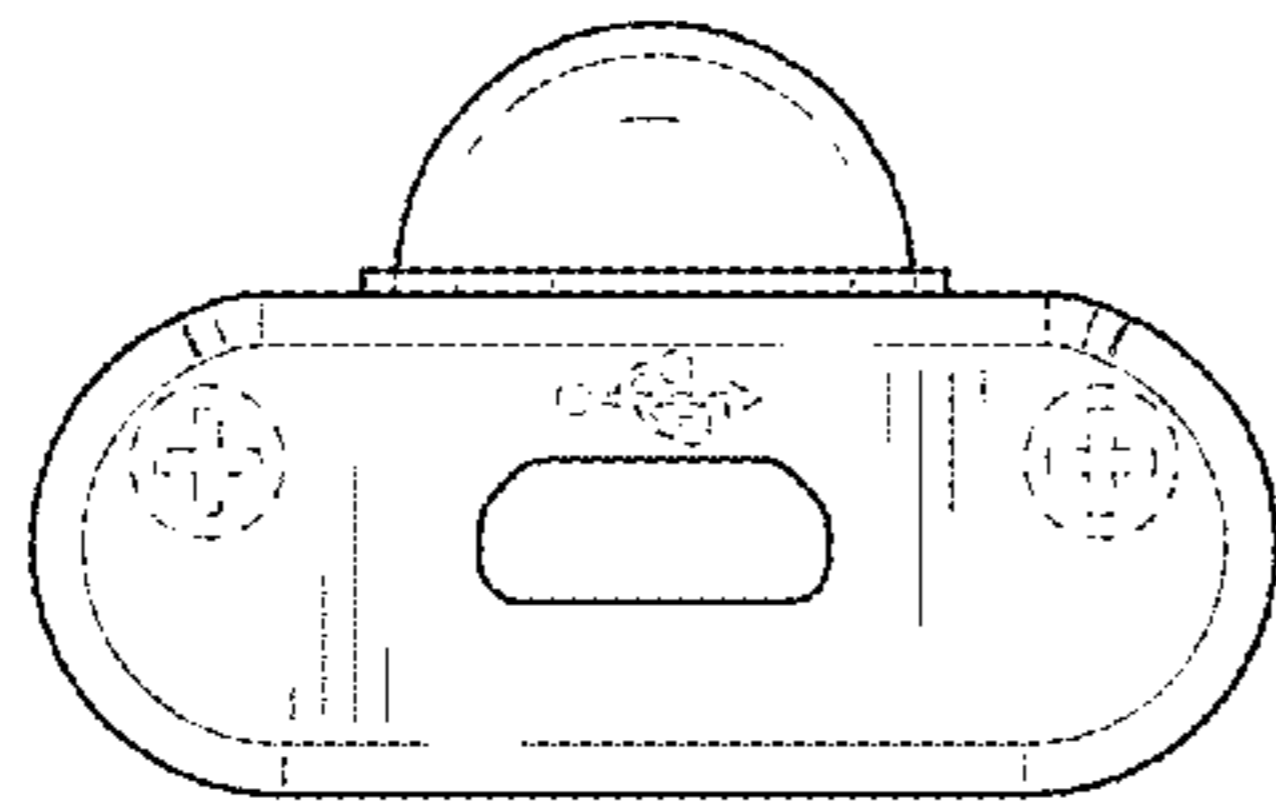


FIG. 5

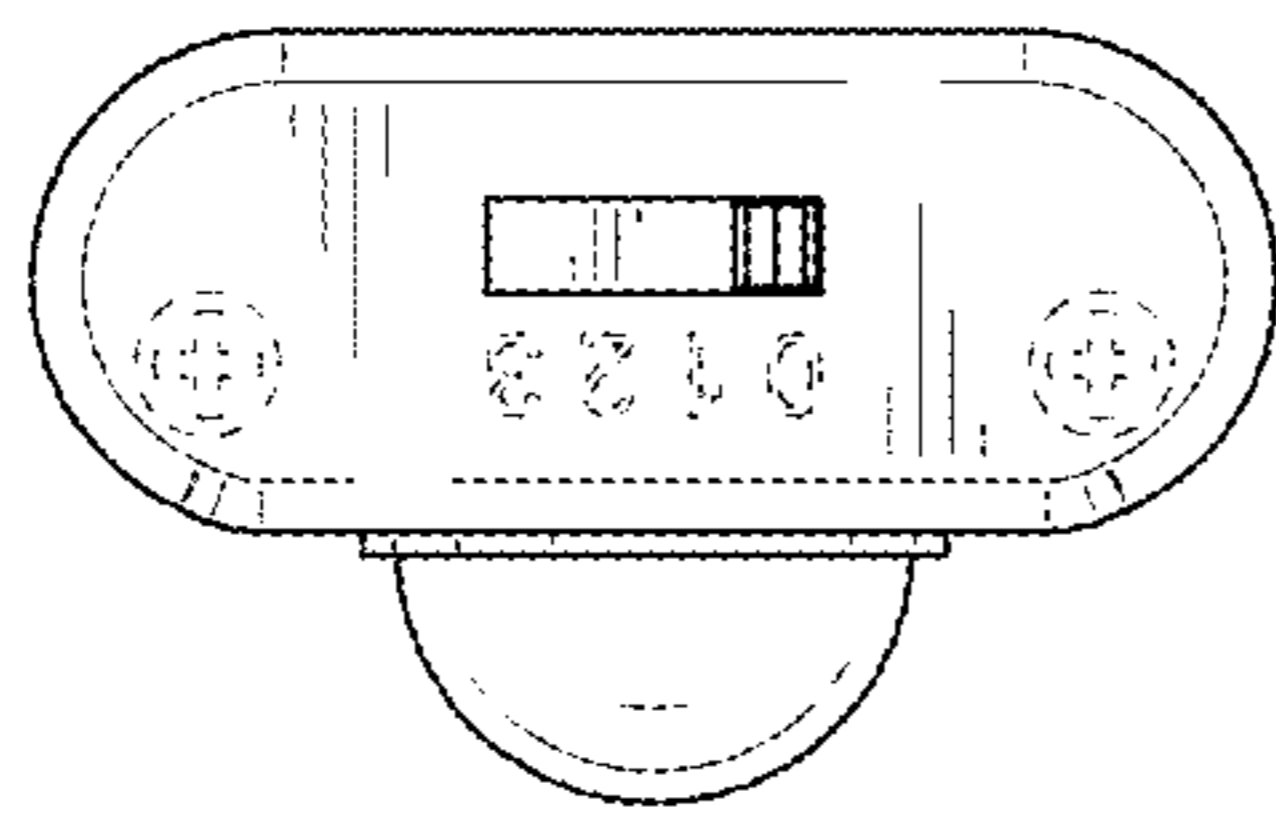


FIG. 6

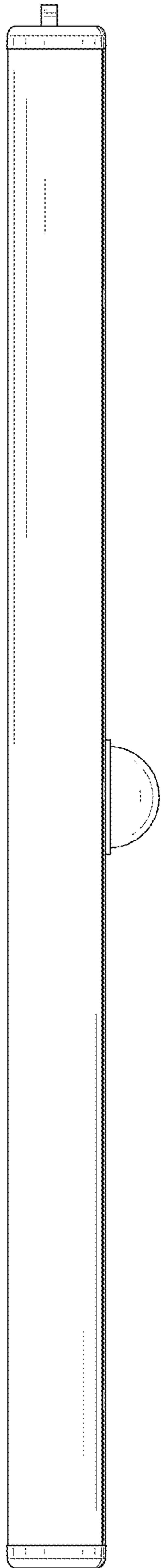


FIG. 7



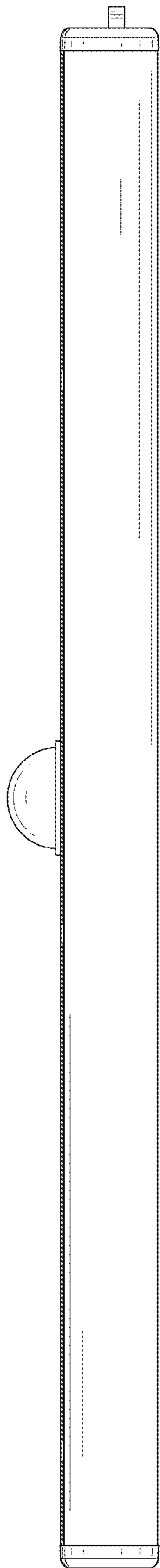


FIG. 8