



US00D945043S

(12) **United States Design Patent**
Chen et al.

(10) **Patent No.:** **US D945,043 S**
(45) **Date of Patent:** **** Mar. 1, 2022**

(54) **PLANT GROW LIGHT**

(71) Applicant: **LUMLUX CORP.**, Suzhou (CN)

(72) Inventors: **Honghua Chen**, Suzhou (CN); **Ming Qiu**, Suzhou (CN)

(73) Assignee: **LUMLUX CORP.**, Suzhou (CN)

(**) Term: **15 Years**

(21) Appl. No.: **29/743,073**

(22) Filed: **Jul. 17, 2020**

(30) **Foreign Application Priority Data**

Apr. 30, 2020 (CN) 202030193125.7

(51) **LOC (13) Cl.** **26-04**

(52) **U.S. Cl.**

USPC **D26/76**

(58) **Field of Classification Search**

USPC D26/1, 2, 3, 24, 25, 72, 75, 76

(Continued)

(56) **References Cited**

U.S. PATENT DOCUMENTS

D465,869 S * 11/2002 Bodell D26/78

8,956,013 B1 * 2/2015 Shew F21S 4/28

362/249.02

(Continued)

FOREIGN PATENT DOCUMENTS

CN 202130117625.7 * 7/2021

OTHER PUBLICATIONS

Amazon, "Hyphotonflux HPF4000 LED Grow Lights", first available Aug. 20, 2020. (<https://www.amazon.com/dp/B08G85XXKG/>) (Year: 2020).*

(Continued)

Primary Examiner — Lauren D McVey

Assistant Examiner — Justin A Johnson

(74) *Attorney, Agent, or Firm* — Dragon Sun Law Firm, PC; Jinggao Li, Esq.

(57) **CLAIM**

The ornamental design for a plant grow light, as shown and described.

DESCRIPTION

FIG. 1 is a front view of a plant grow light showing my new design;

FIG. 2 is a rear view thereof;

FIG. 3 is a left view thereof;

FIG. 4 is a right view thereof;

FIG. 5 is a top view thereof;

FIG. 6 is a bottom view thereof;

FIG. 7 is a perspective view thereof;

FIG. 8 is an enlarged view of the selected portion 8 in FIG. 1;

FIG. 9 is an enlarged view of the selected portion 9 in FIG. 2;

FIG. 10 is an enlarged view of the selected portion 10 in FIG. 3;

FIG. 11 is an enlarged view of the selected portion 11 in FIG. 4;

FIG. 12 is an enlarged view of the selected portion 12 in FIG. 5;

FIG. 13 is an enlarged view of the selected portion 13 in FIG. 6;

FIG. 14 is an enlarged view of the selected portion 14 in FIG. 7;

FIG. 15 is an enlarged view of the selected portion 15 in FIG. 1;

FIG. 16 is an enlarged view of the selected portion 16 in FIG. 1;

FIG. 17 is an enlarged view of the selected portion 17 in FIG. 2;

FIG. 18 is an enlarged view of the selected portion 18 in FIG. 2;

FIG. 19 is an enlarged view of the selected portion 19 in FIG. 3;

FIG. 20 is an enlarged view of the selected portion 20 in FIG. 3;

(Continued)

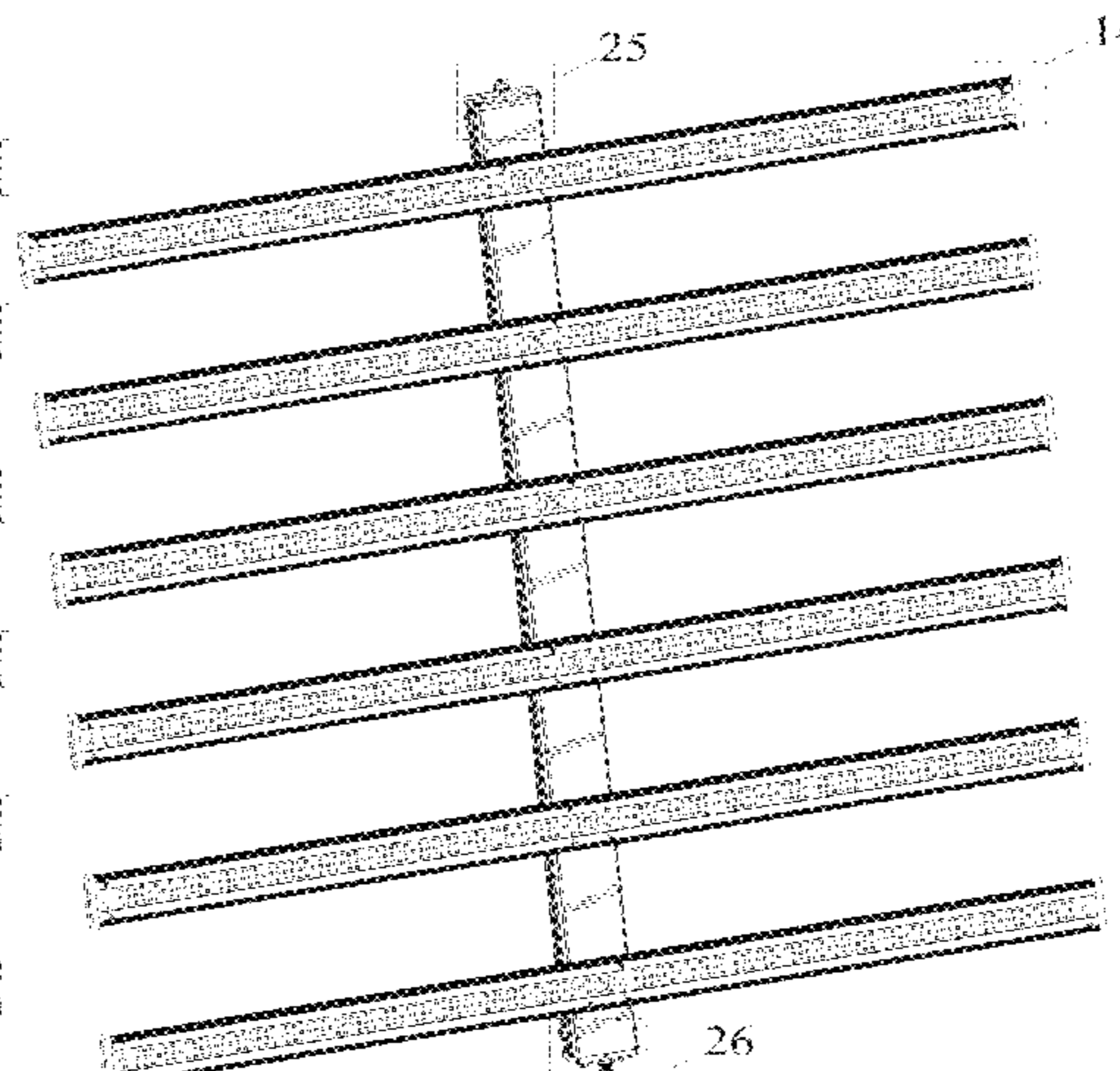
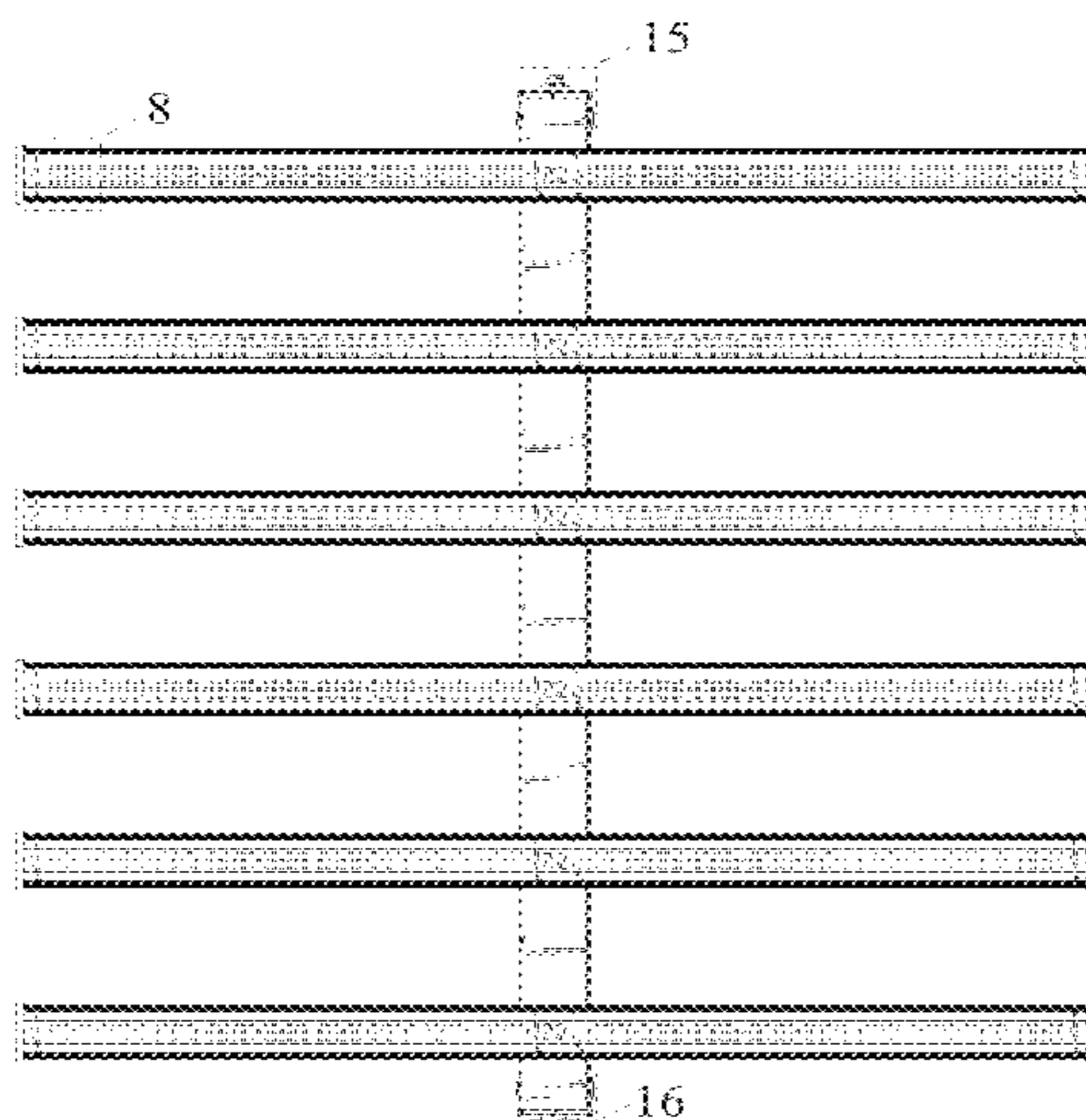


FIG. 21 is an enlarged view of the selected portion 21 in FIG. 4;
 FIG. 22 is an enlarged view of the selected portion 22 in FIG. 4;
 FIG. 23 is an enlarged view of the selected portion 23 in FIG. 5;
 FIG. 24 is an enlarged view of the selected portion 24 in FIG. 6;
 FIG. 25 is an enlarged view of the selected portion 25 in FIG. 7; and,
 FIG. 26 is an enlarged view of the selected portion 26 in FIG. 7.

The even length broken lines immediately adjacent to the shaded areas depict the bounds of the claimed design, while all other even length broken lines are directed to environment. In addition, the dot-dash broken lines illustrate enlarged portions of the design. None of the broken lines form part of the claimed design.

1 Claim, 21 Drawing Sheets

(58) **Field of Classification Search**

CPC F21L 2/00; F21S 2/00; F21S 4/00; F21S 4/20; F21S 4/28; F21S 8/00; F21S 8/006; F21S 8/026; F21S 8/036; H01K 7/00; H01K 7/02; A01G 7/045

See application file for complete search history.

(56) **References Cited**

U.S. PATENT DOCUMENTS

D831,243 S * 10/2018 Shields F21S 8/066
 D26/24
 D881,440 S * 4/2020 Zhu A01G 7/02
 D26/76

D910,898 S * 2/2021 Chen F21V 23/023
 D26/76
 D923,850 S * 6/2021 Liu H05B 47/19
 D26/76
 2009/0067173 A1* 3/2009 Kufferath-Kassner
 D03D 15/593
 362/249.15
 2016/0003453 A1* 1/2016 Klase F21S 8/066
 362/220
 2016/0100528 A1* 4/2016 Chow F21V 23/023
 362/122
 2016/0295820 A1* 10/2016 Aykroyd A01G 7/02
 2017/0135290 A1* 5/2017 Sahni A01G 9/20
 2019/0383475 A1* 12/2019 Deng F21V 21/005
 2021/0212268 A1* 7/2021 Chen H05B 47/19

OTHER PUBLICATIONS

Lumlux Lighting, “Folded or foldable High performance indoor LED Grow Light”, first accessed Sep. 2, 2021. (<https://www.lumluxlighting.com/folded-or-foldable-high-performance-indoor-led-grow-light-with-full-spectrumdeep-red-product/>) (Year: 2021).*

Amazon, “Dephen 660W LED Grow Lights”, first available Mar. 23, 2021. (<https://www.amazon.com/Lights-3-9x3-6ft-Indoor-Spectrum-Commercial-LED-Plant-Light-Foldable-Dimmable-Daisy/dp/B08ZSCN5BC/>) (Year: 2021).*

Amazon, “AGL V6 Pro LED Grow Light”, first available Jan. 28, 2021. (<https://www.amazon.com/AGL-Hydroponics-Commercial-Horticulture-Greenhouse/dp/B08V87XCMP/>) (Year: 2021).*

* cited by examiner

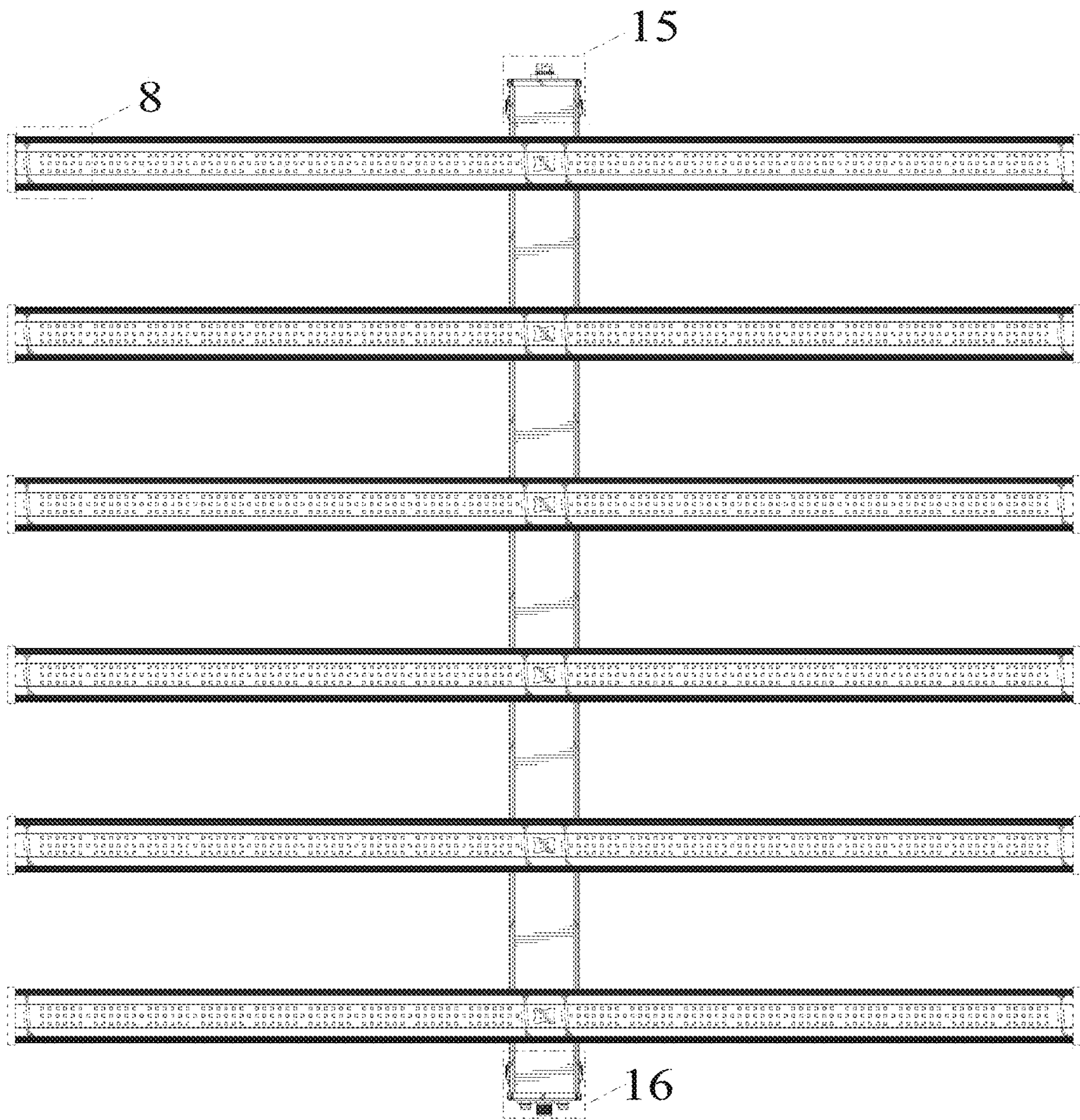


FIG. 1

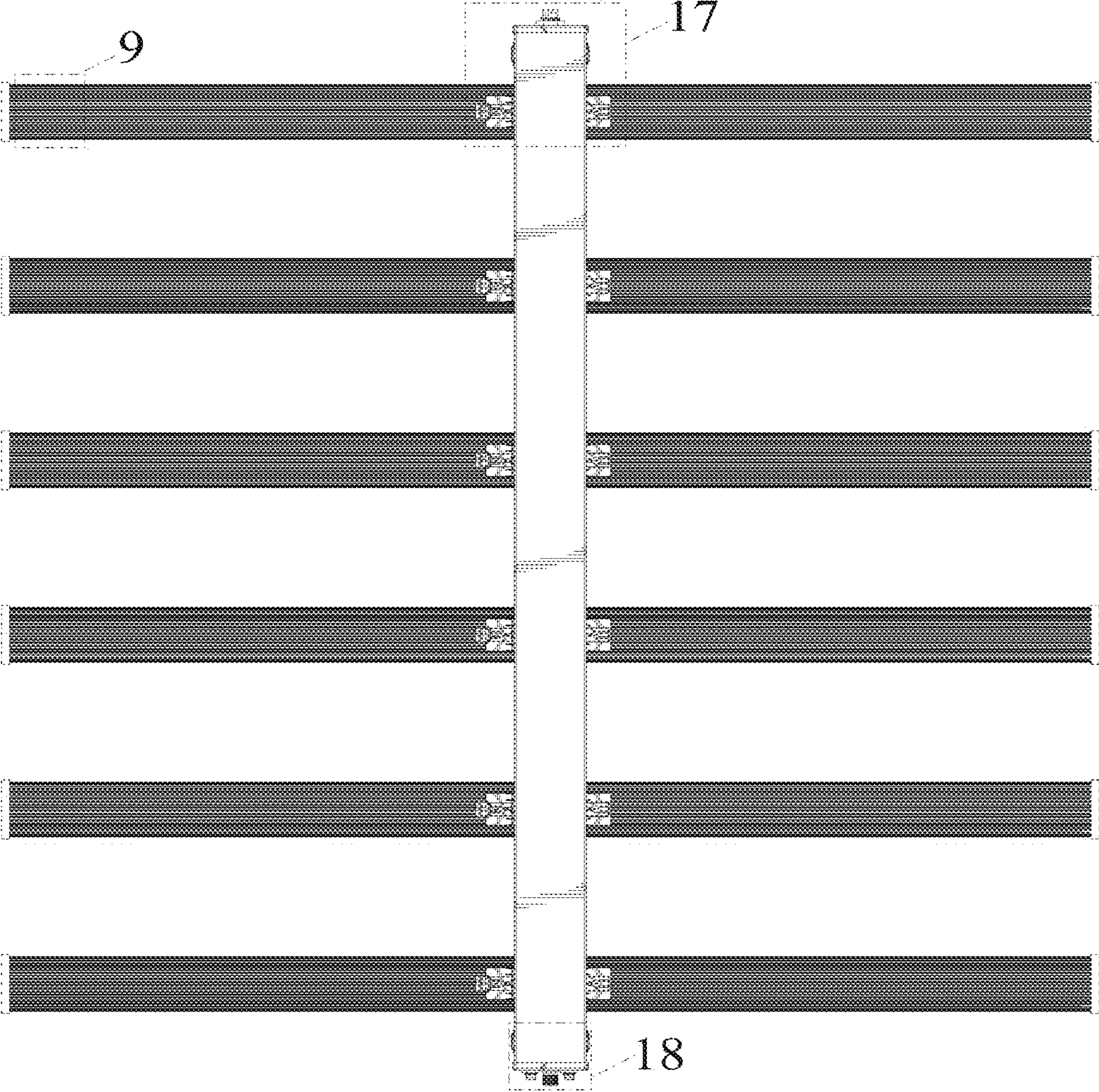


FIG. 2

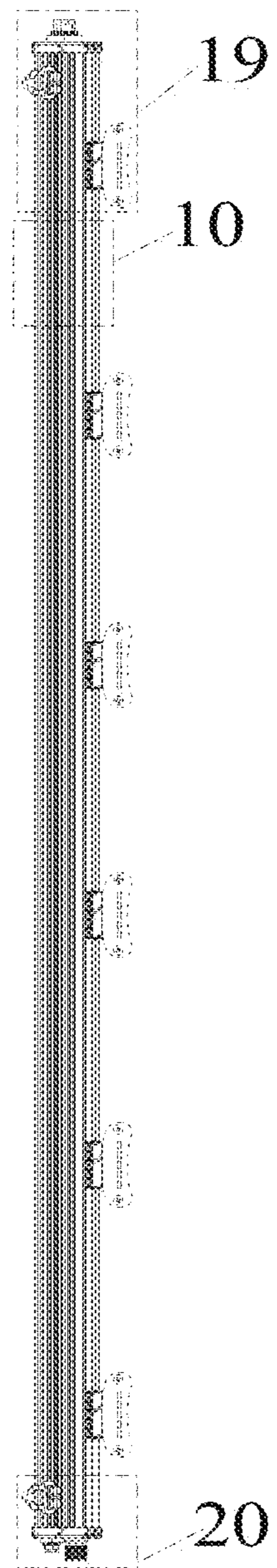


FIG.3

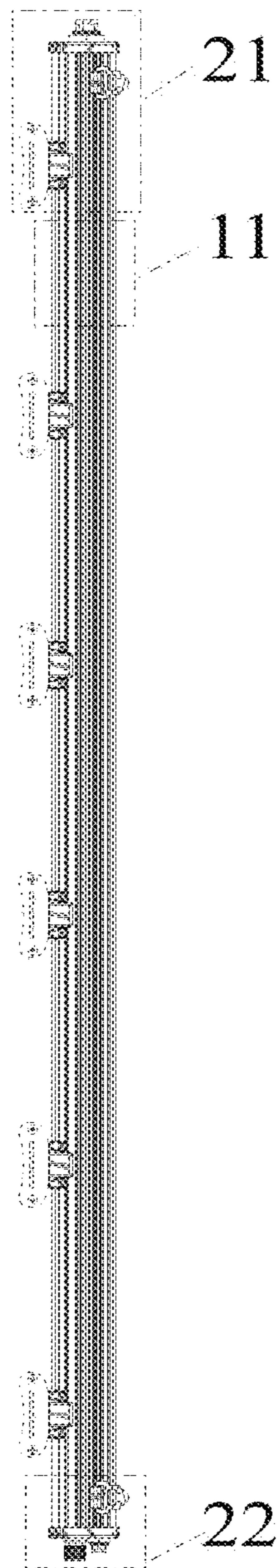


FIG.4

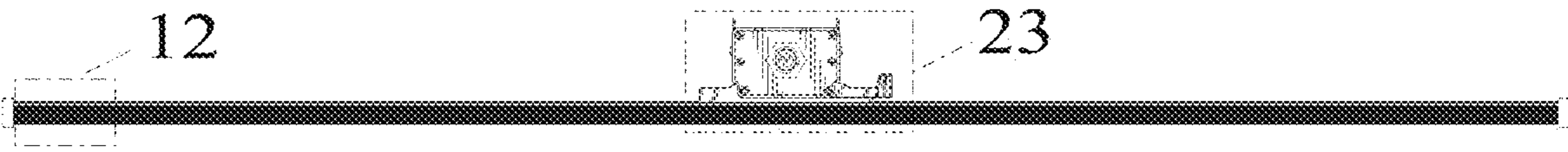


FIG. 5

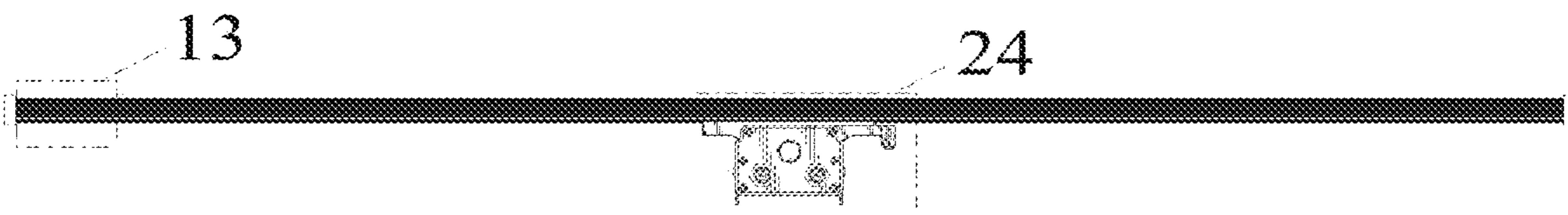


FIG. 6

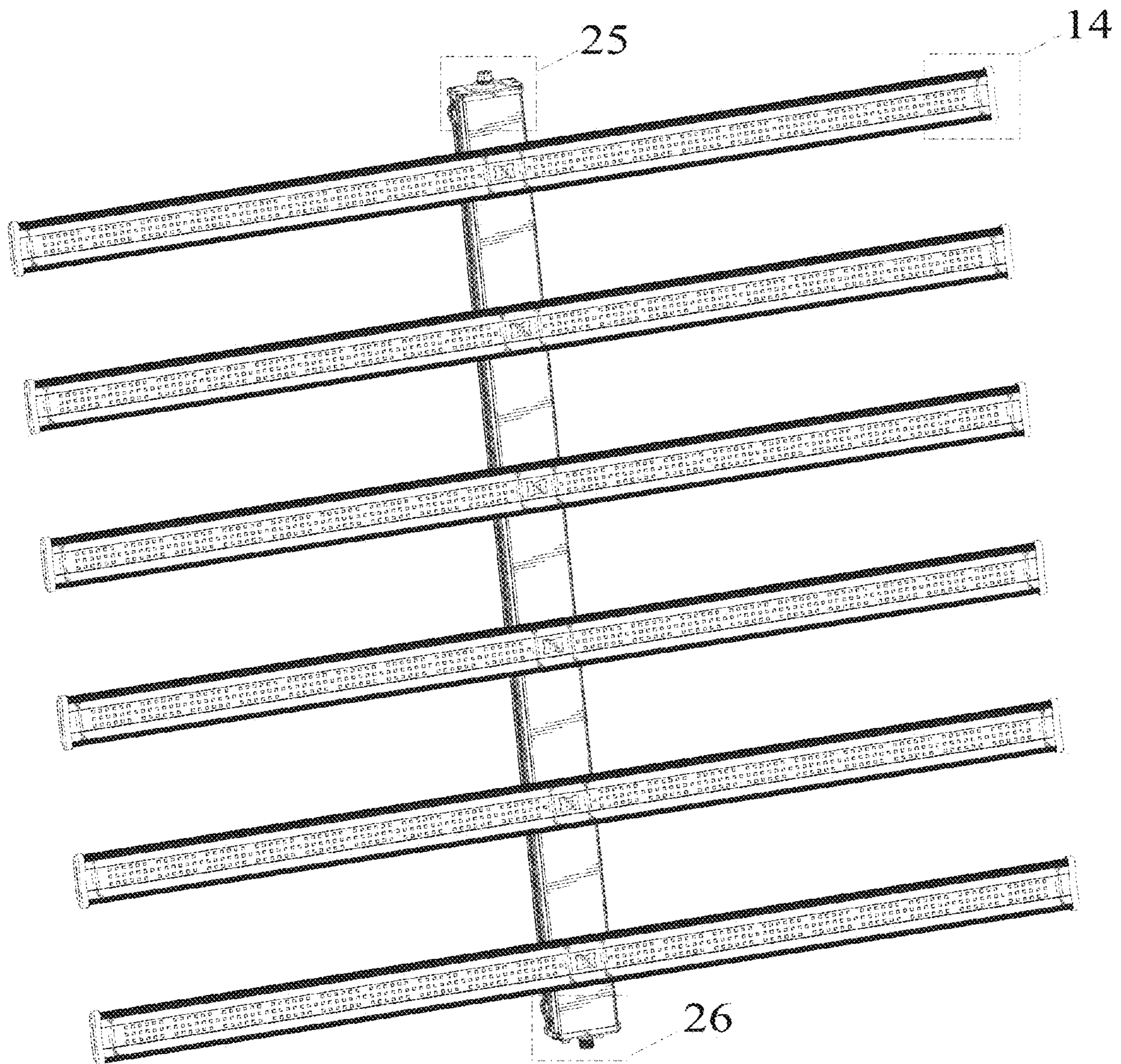


FIG. 7

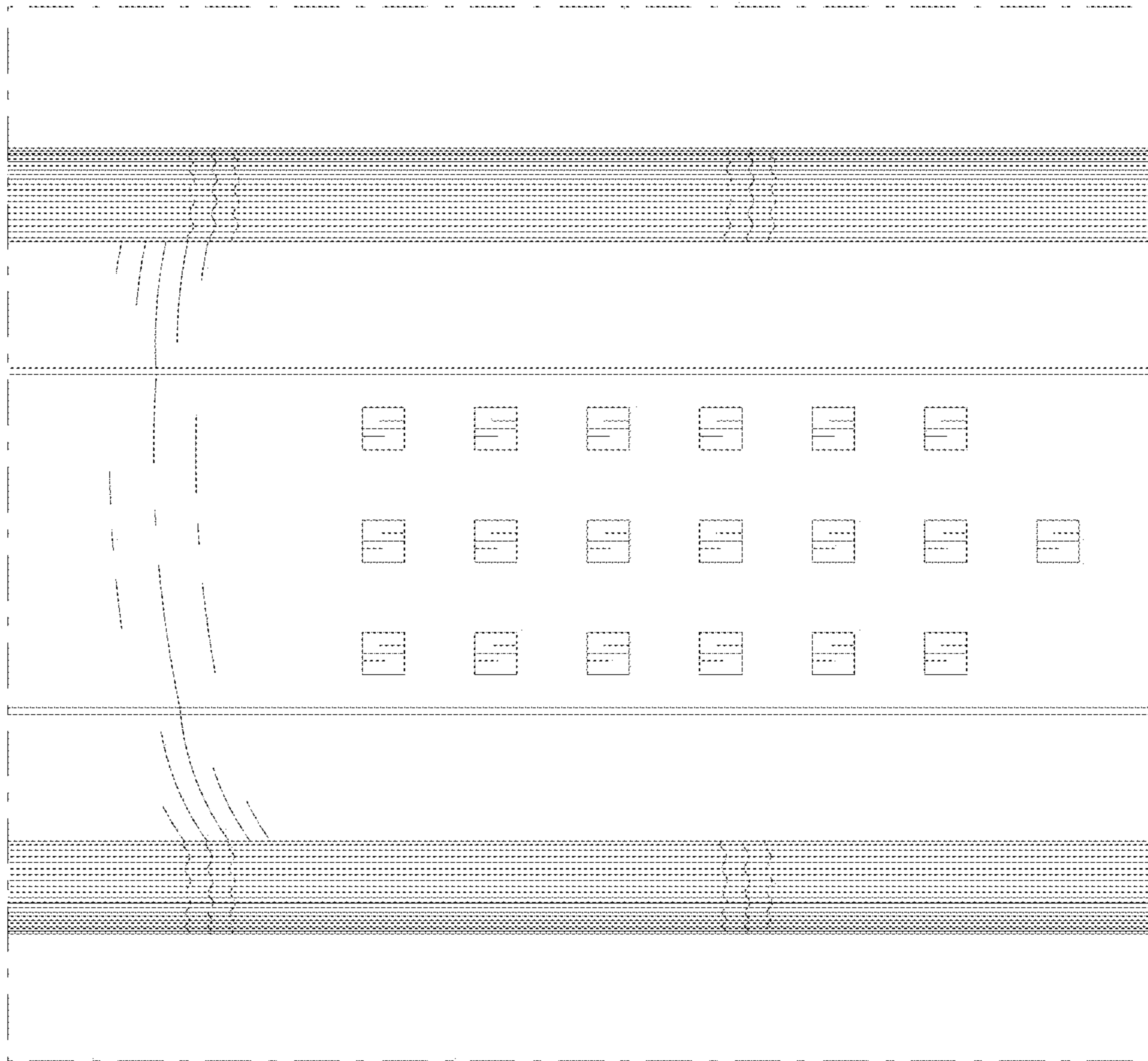


FIG. 8

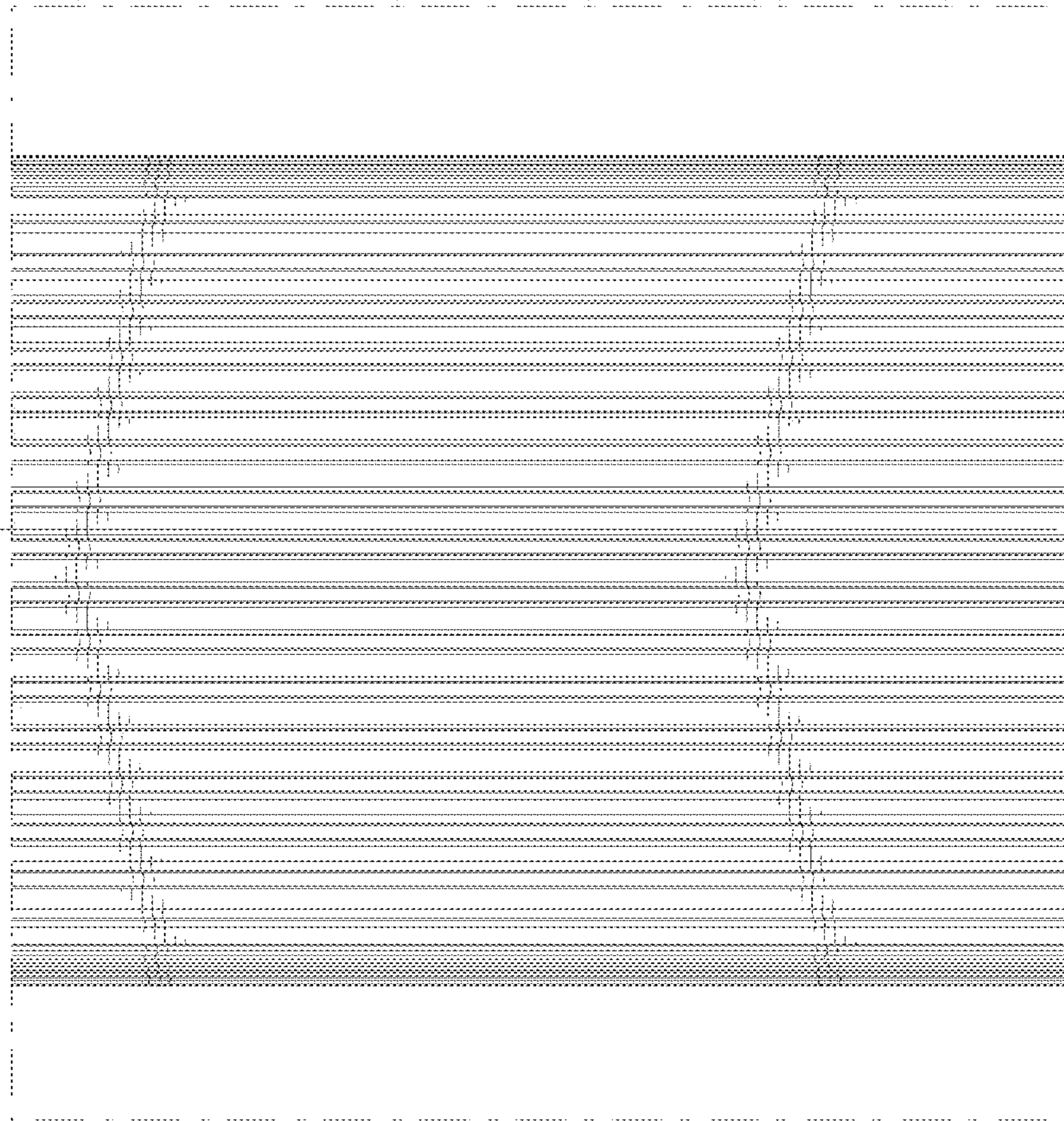


FIG.9

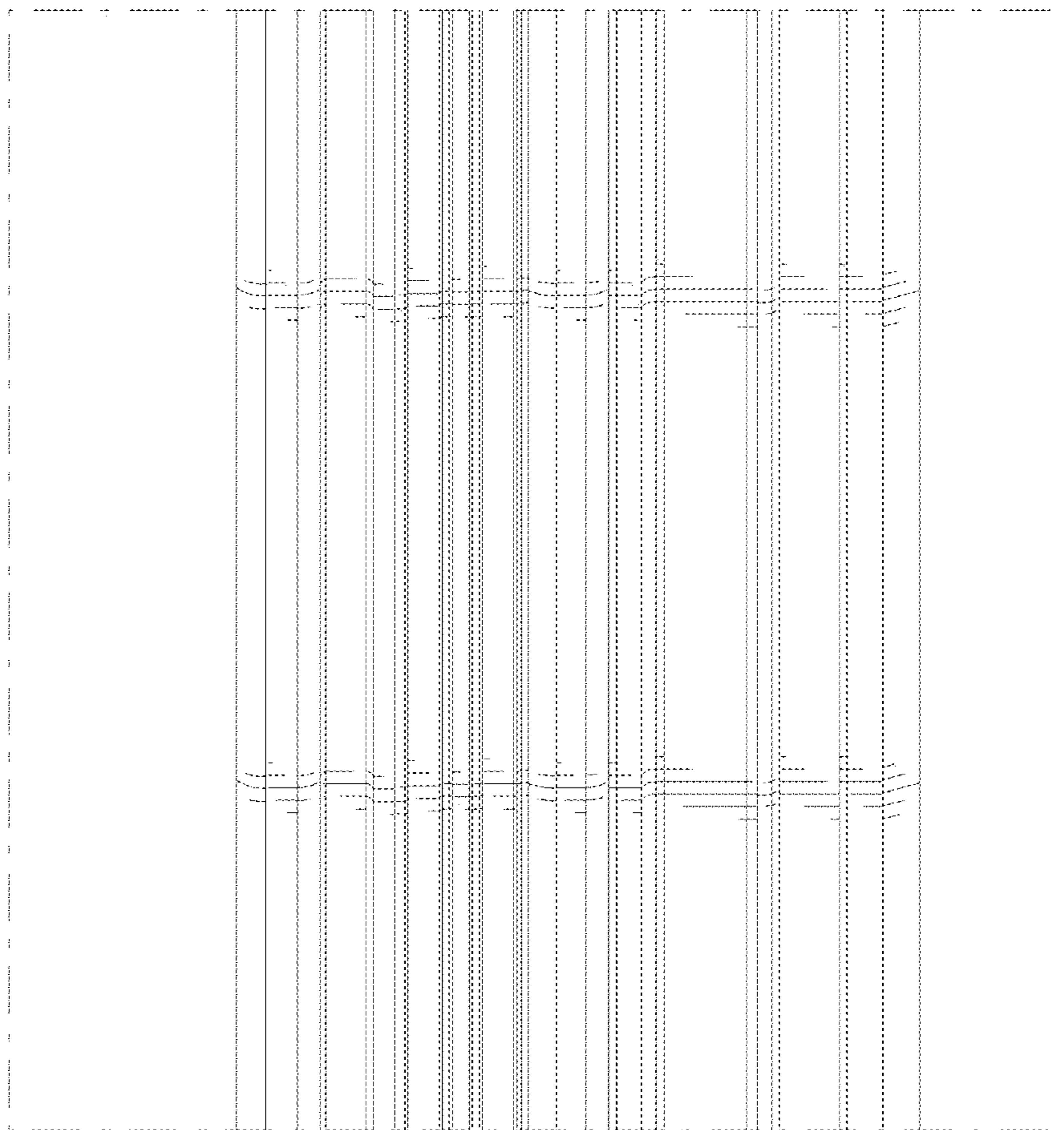


FIG. 10

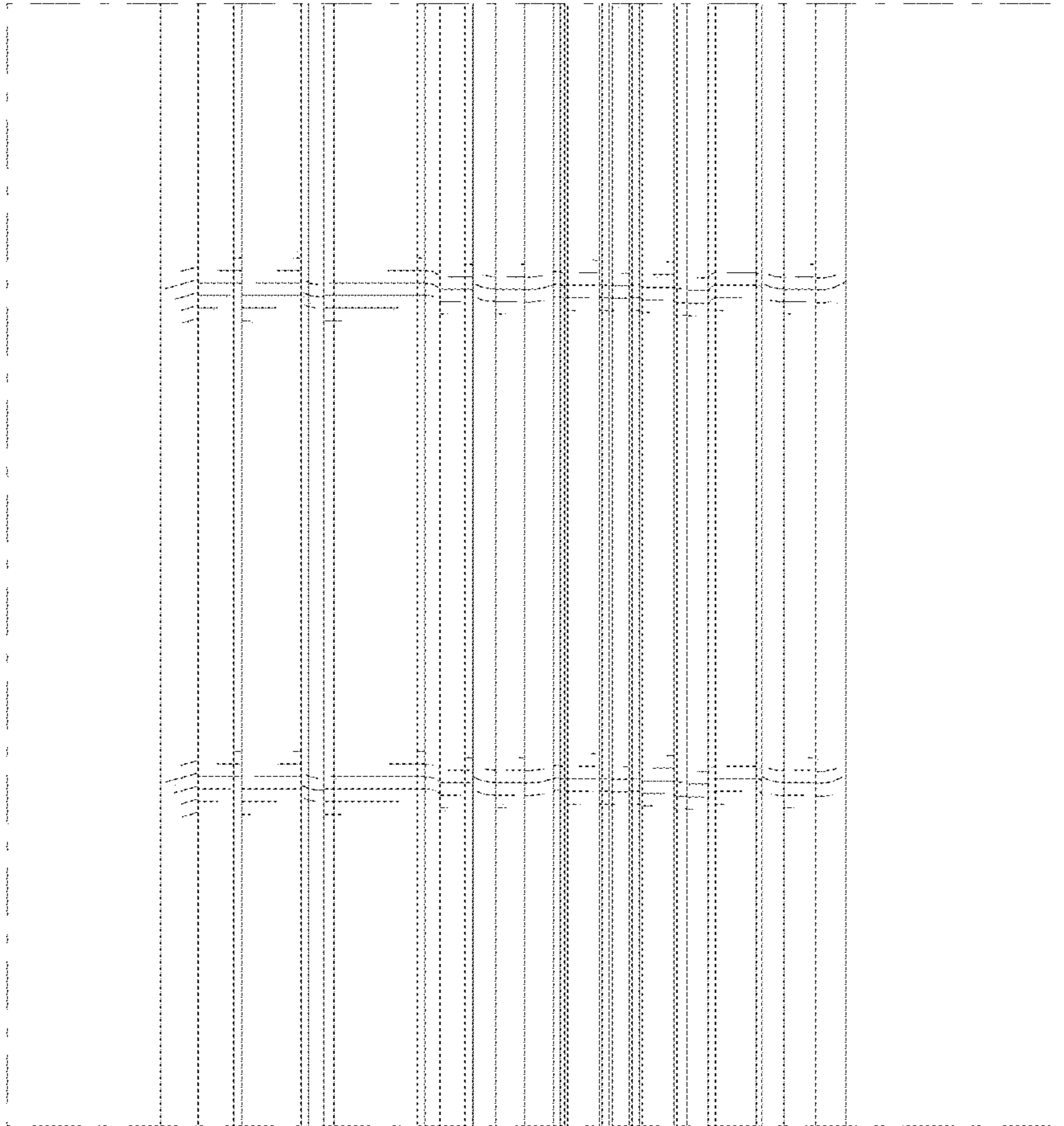


FIG. 11

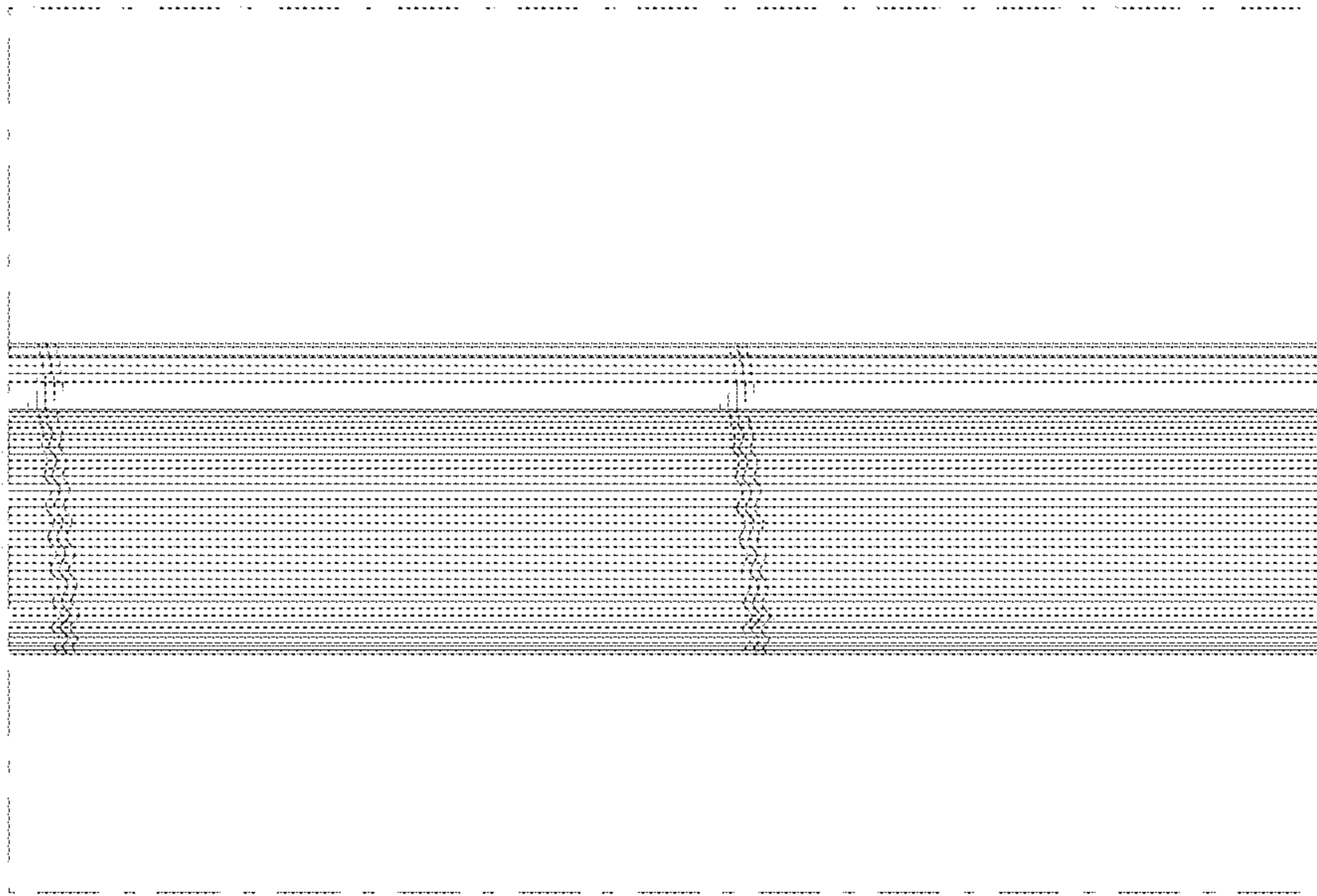


FIG. 12

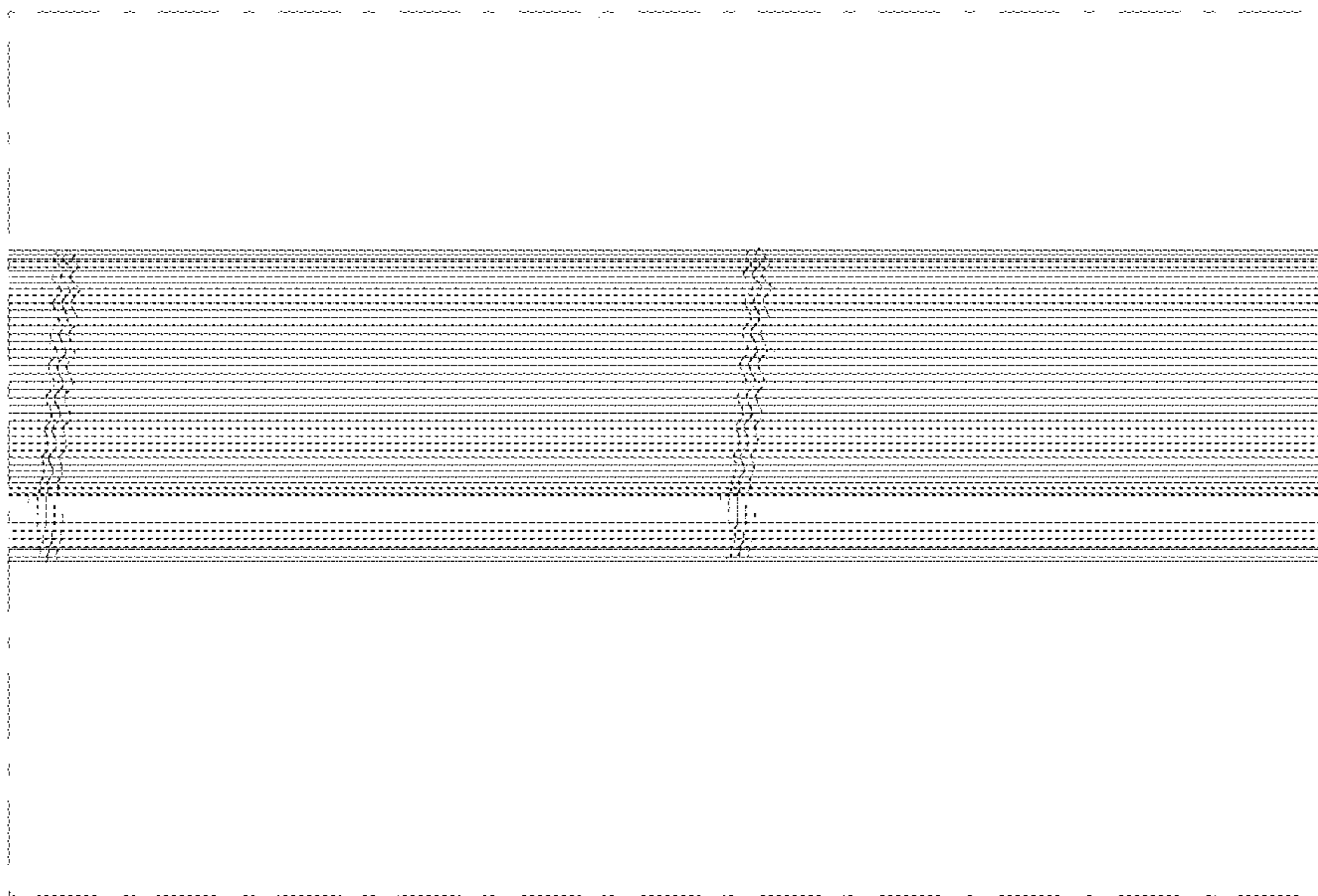


FIG. 13

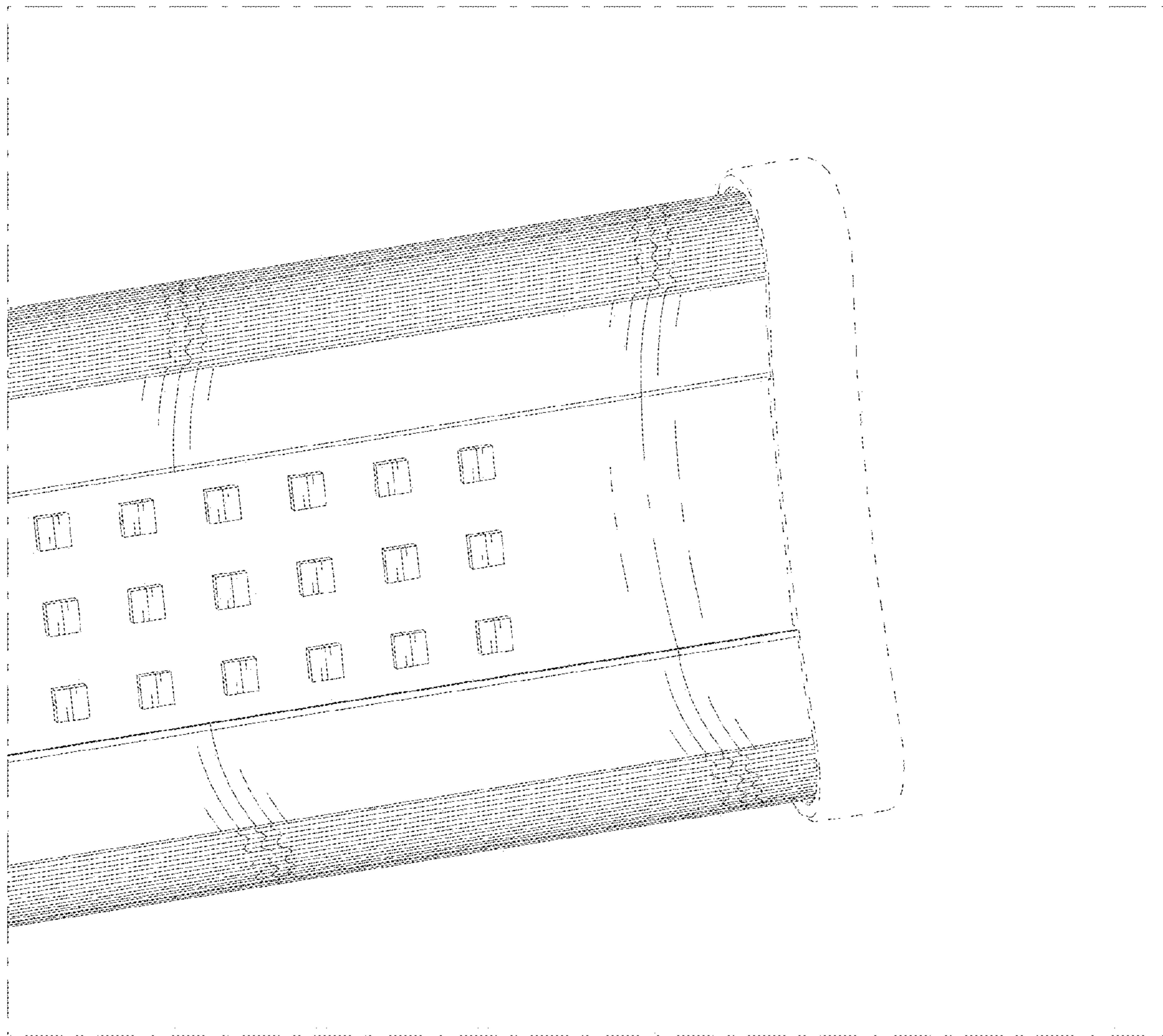


FIG.14

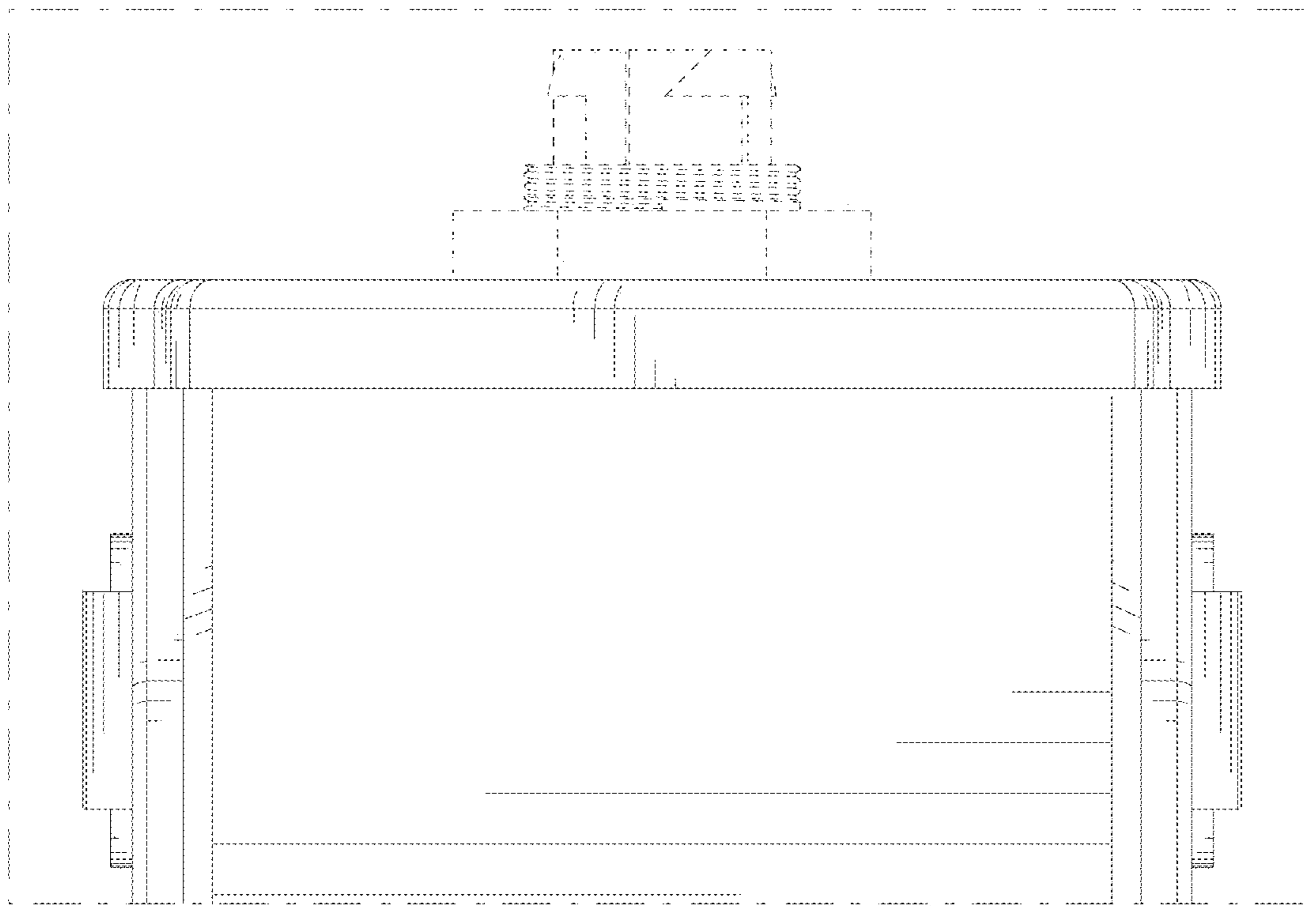


FIG. 15

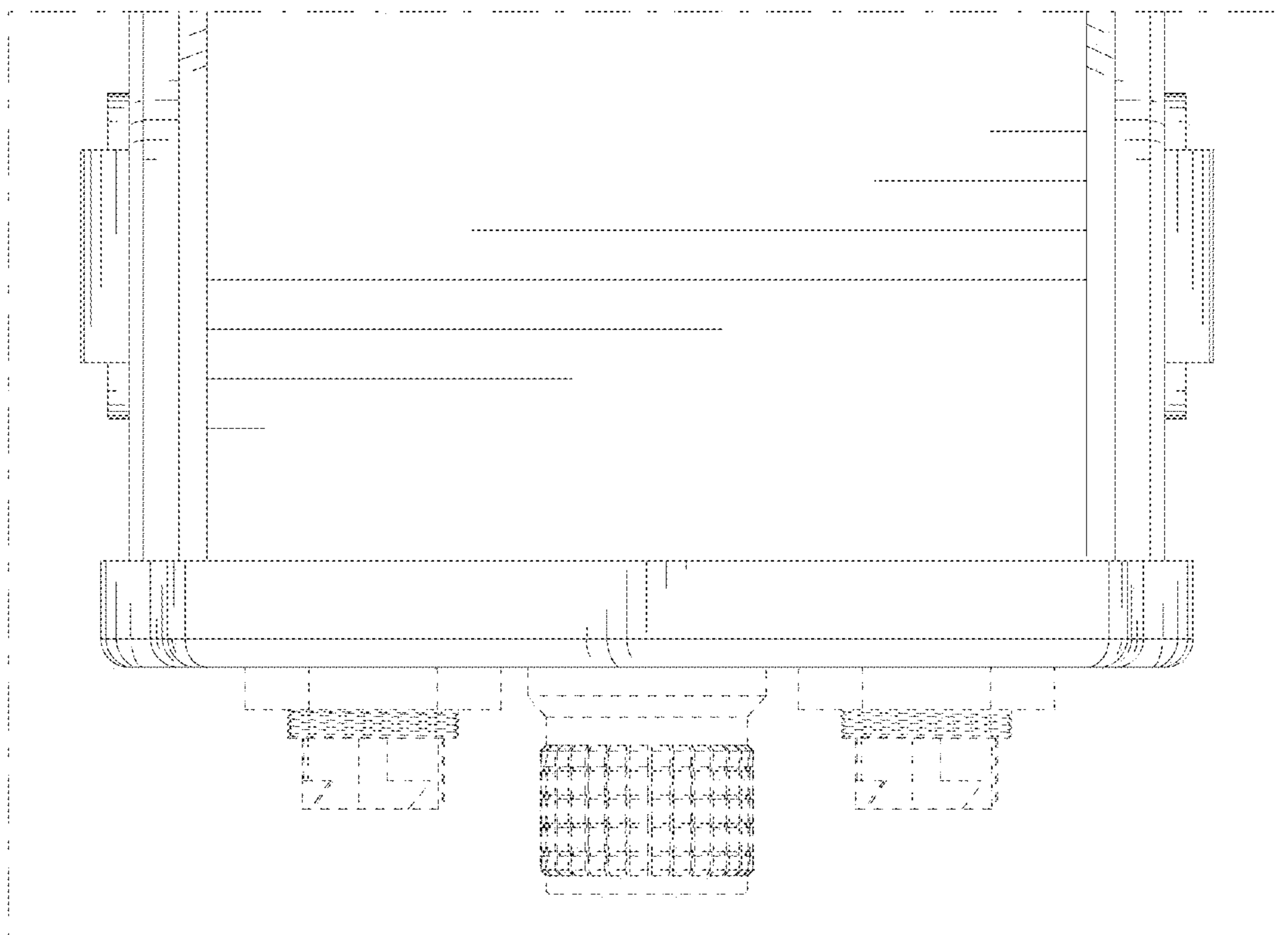


FIG. 16

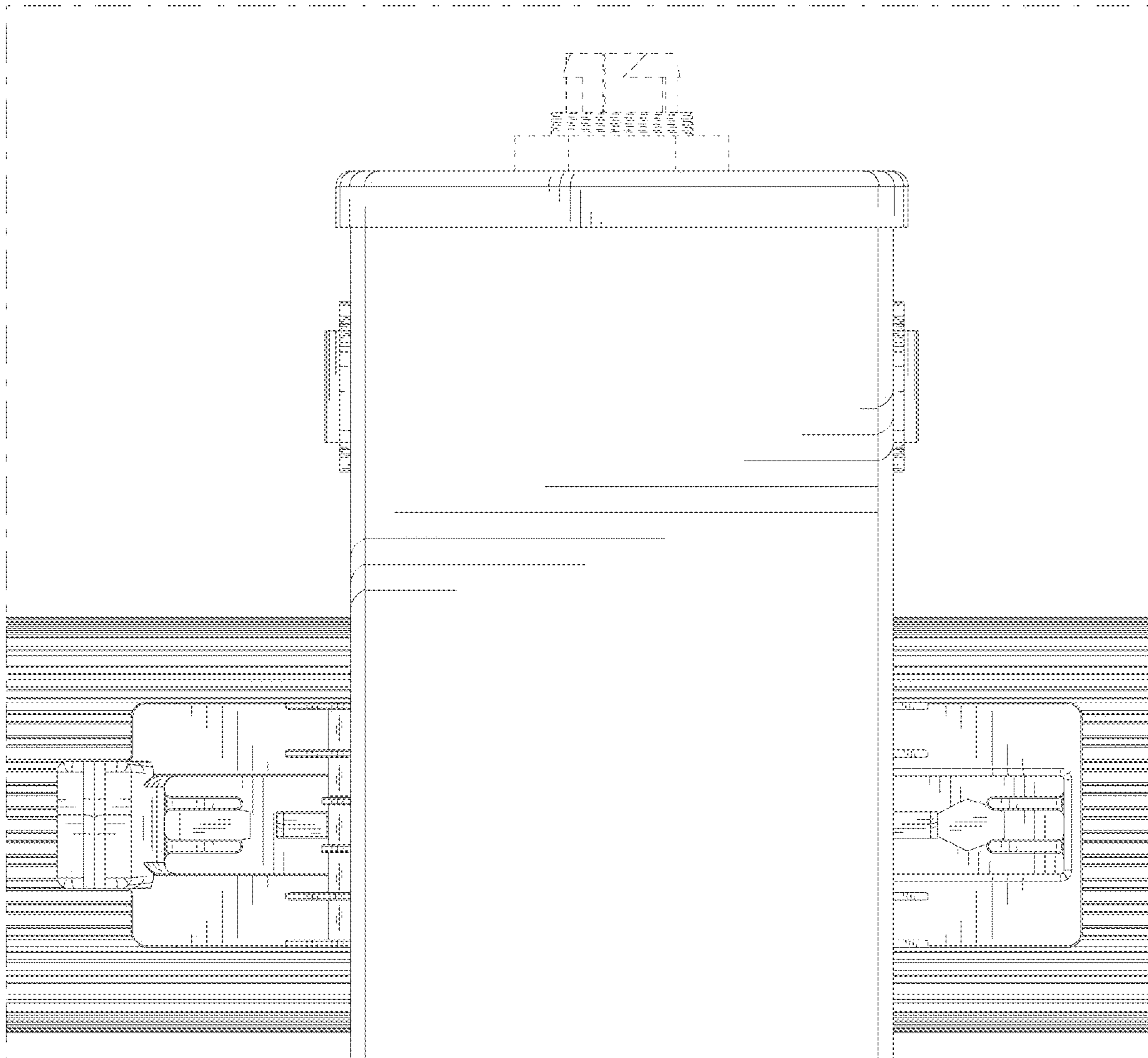


FIG. 17

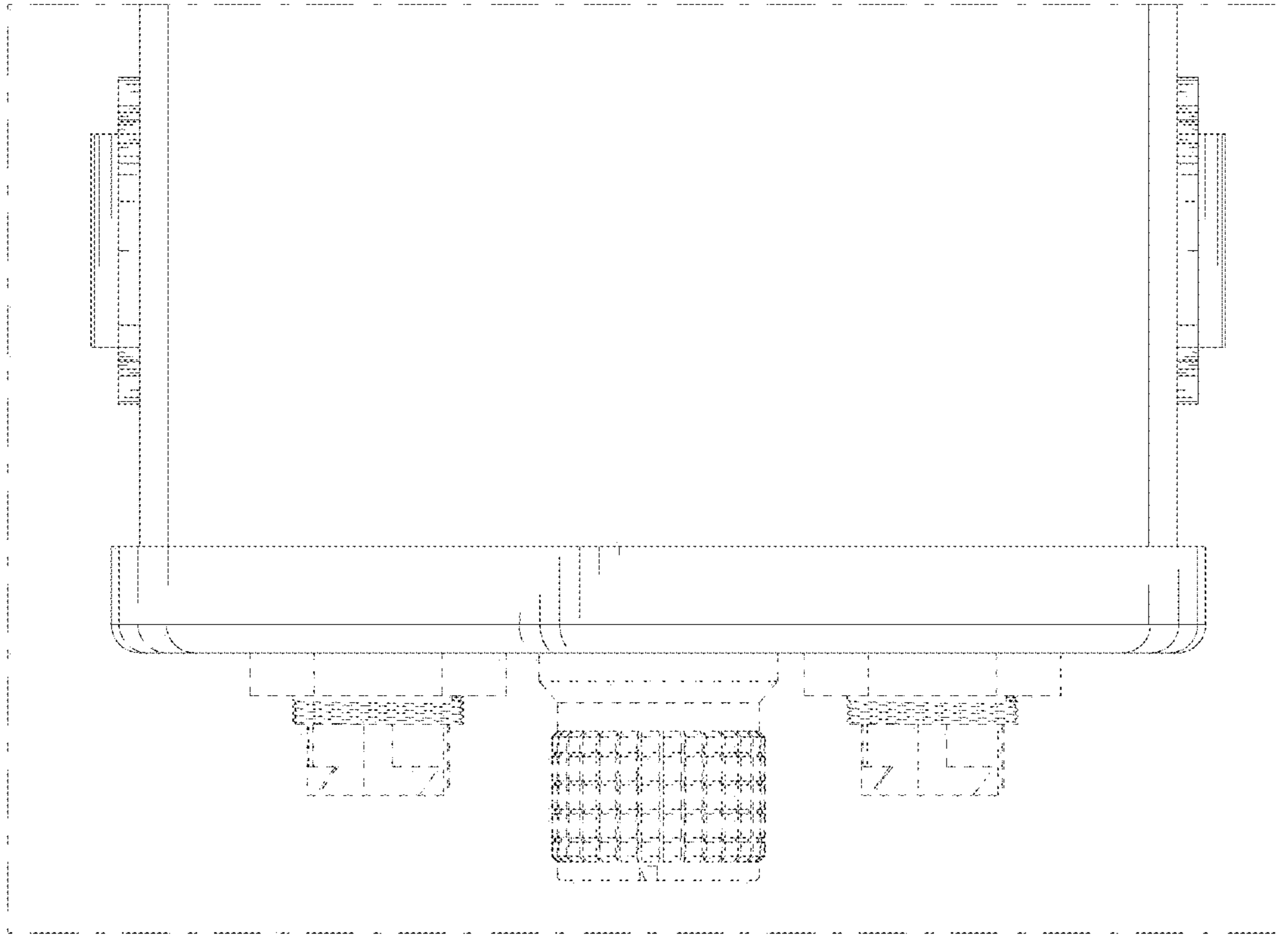


FIG.18

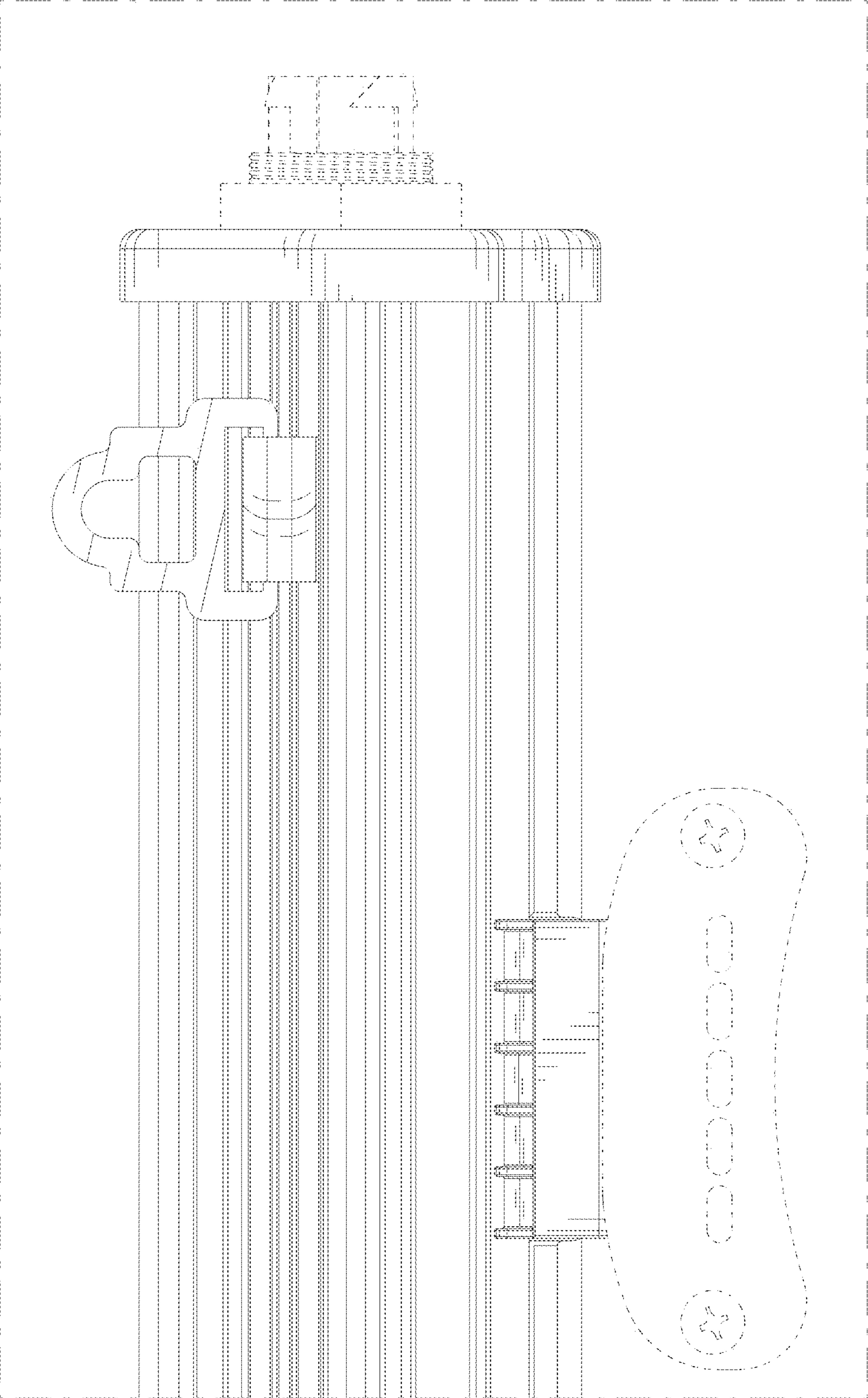


FIG.19

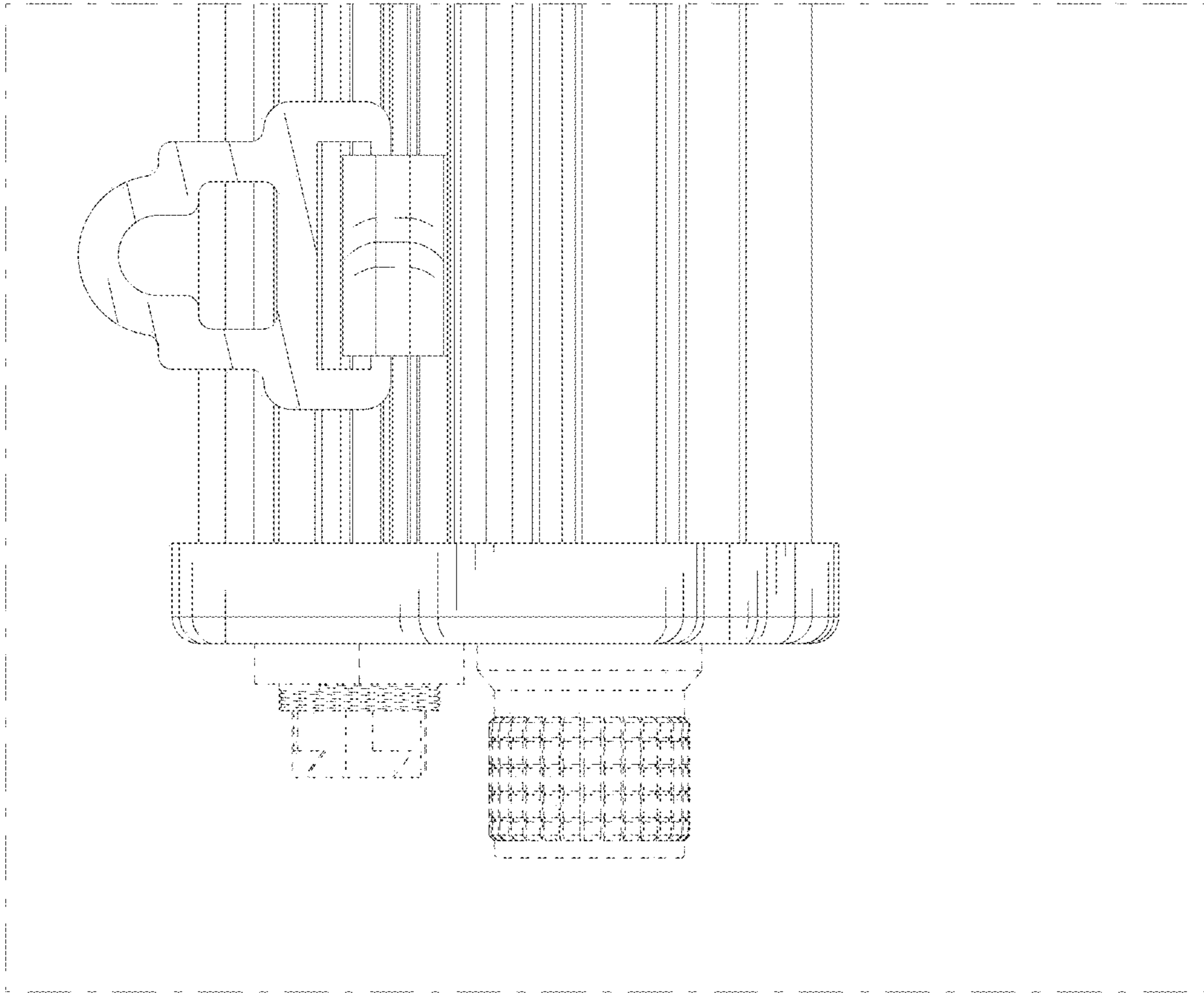


FIG.20

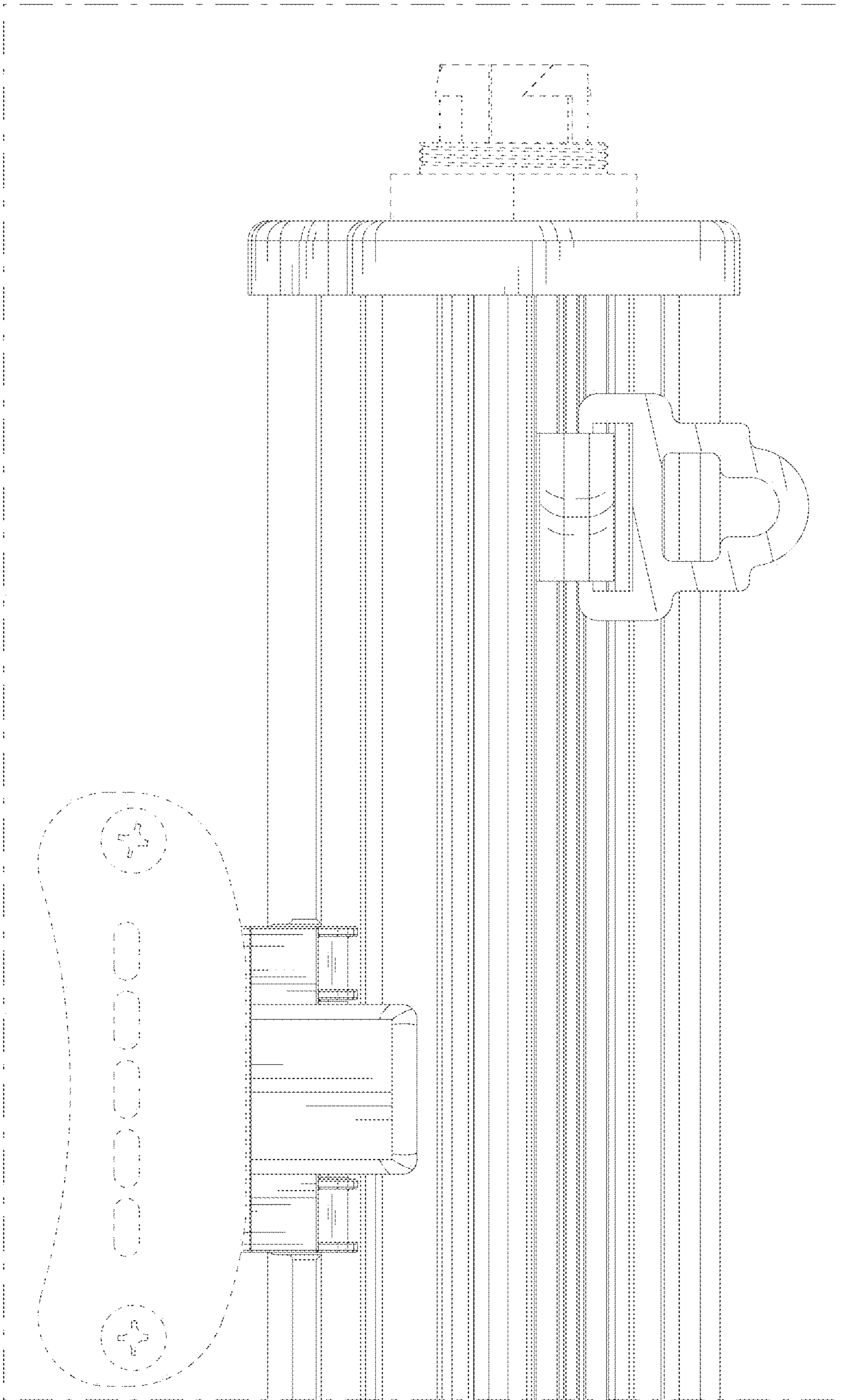


FIG.21

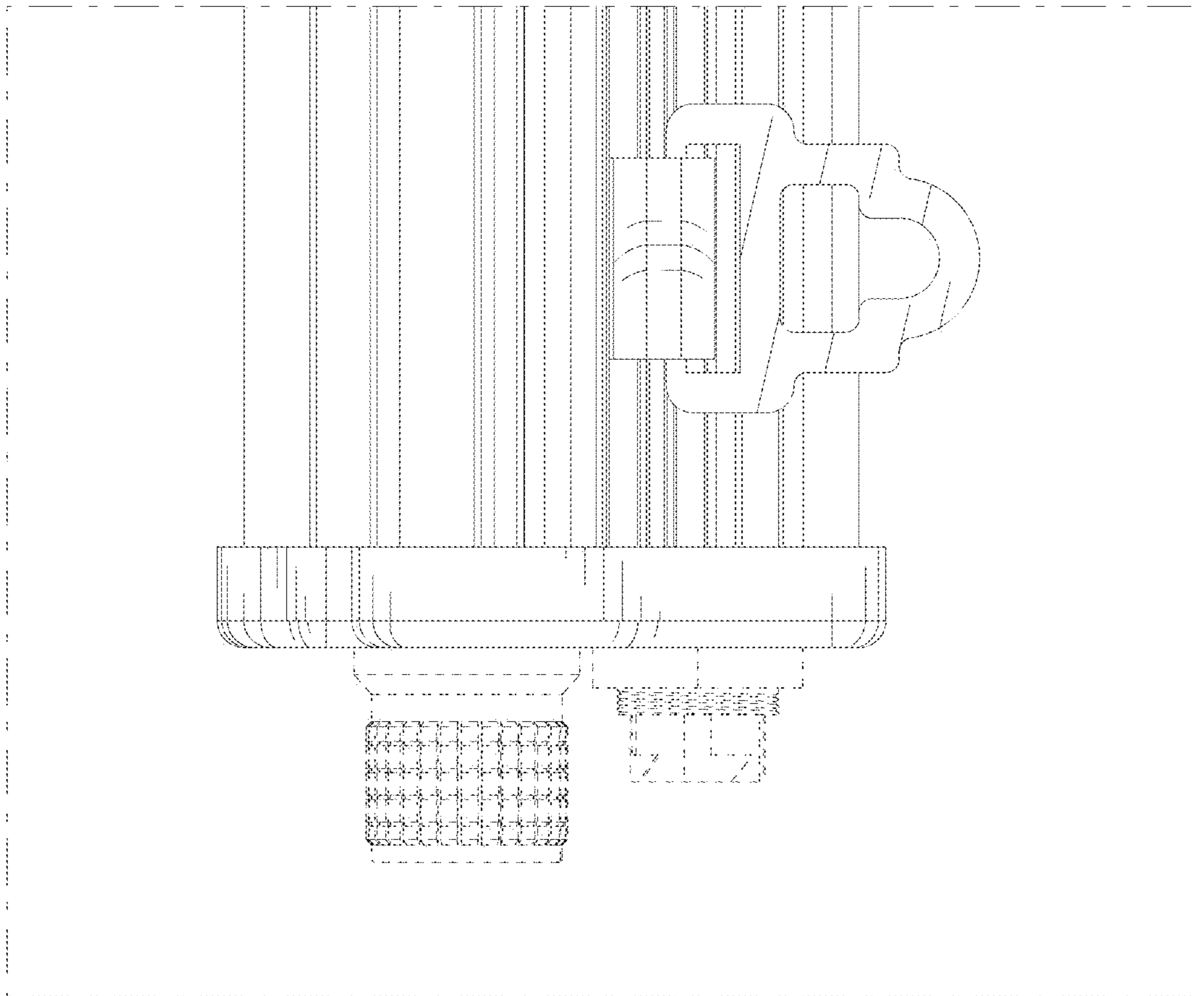


FIG.22

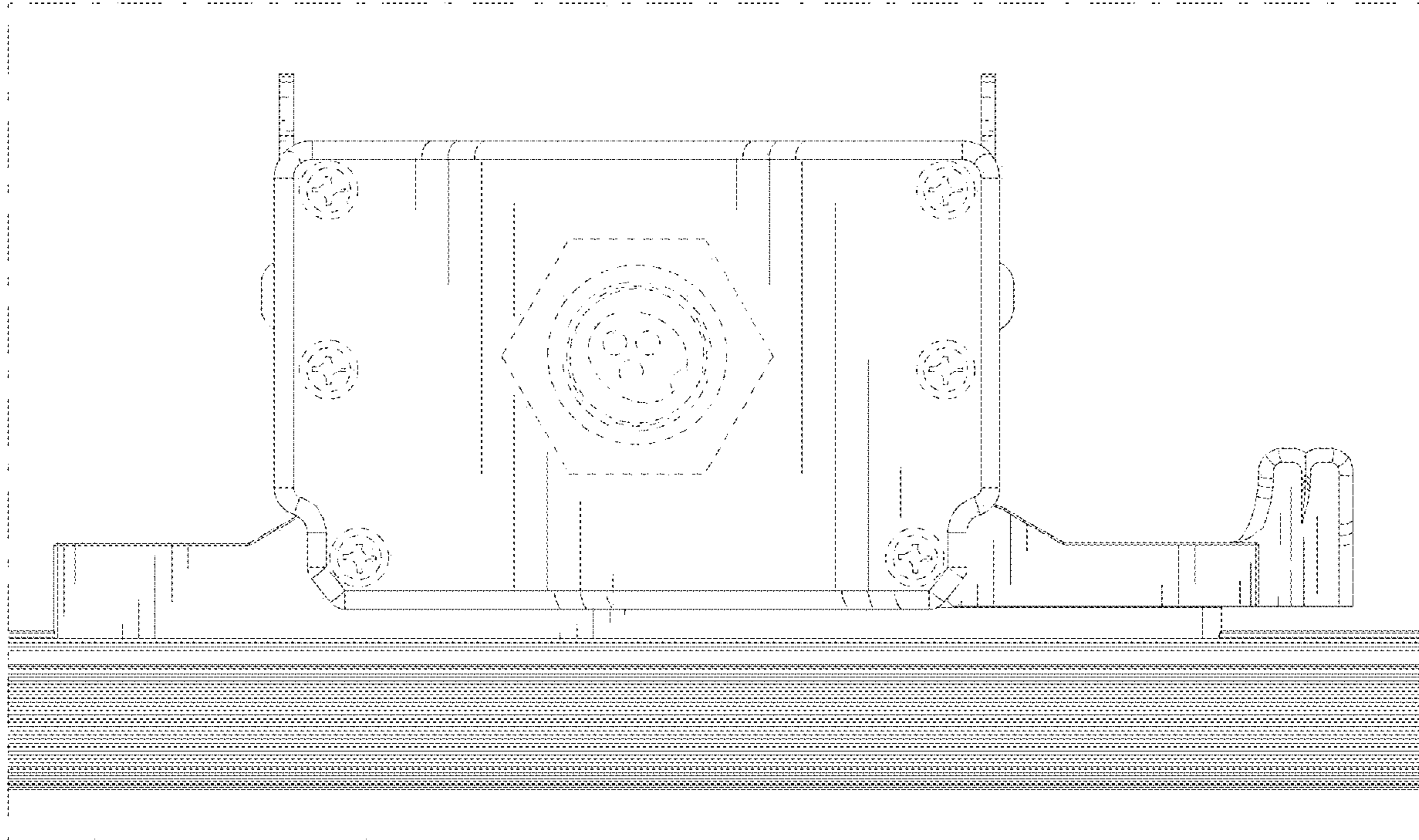


FIG.23

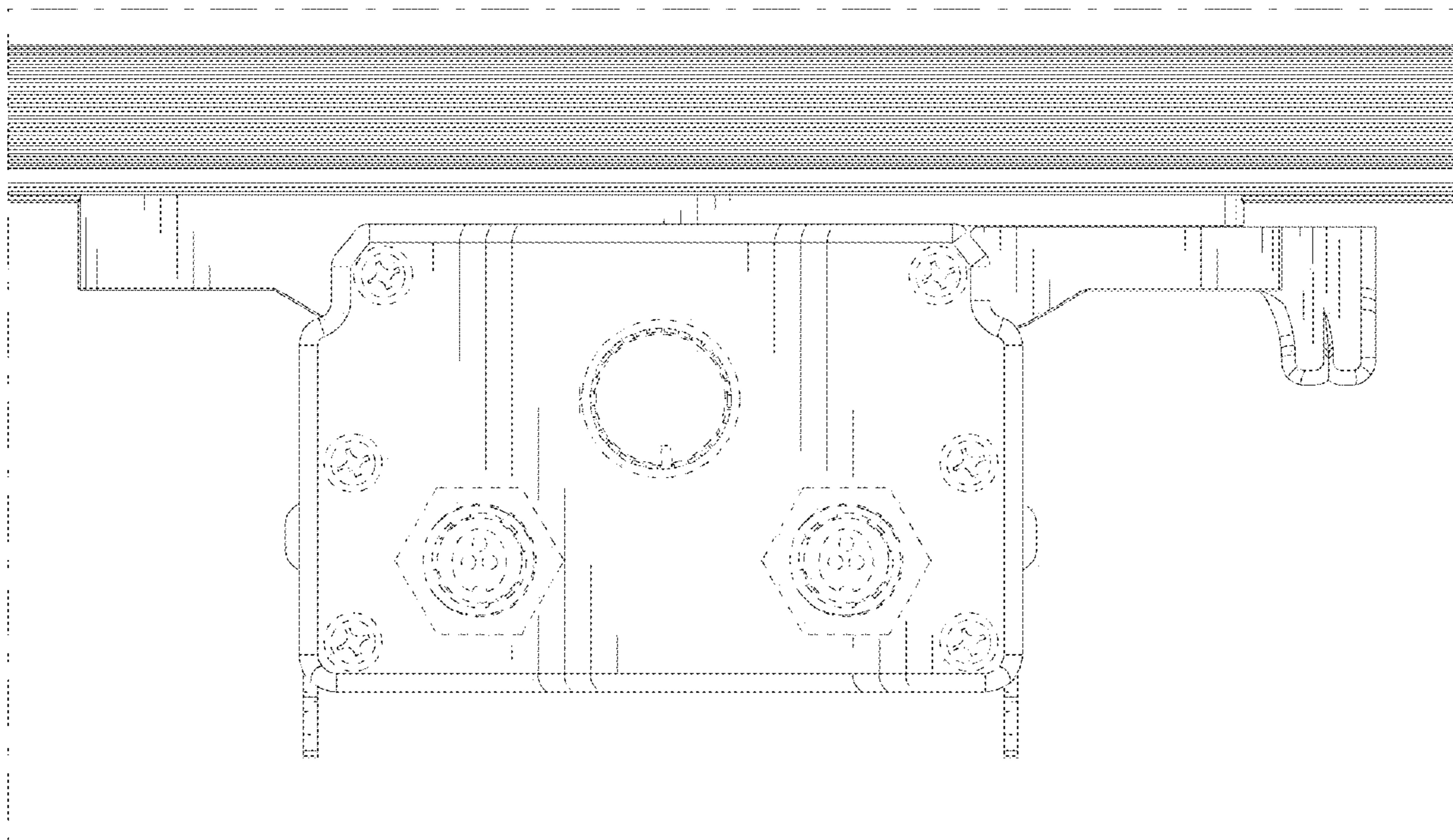


FIG.24

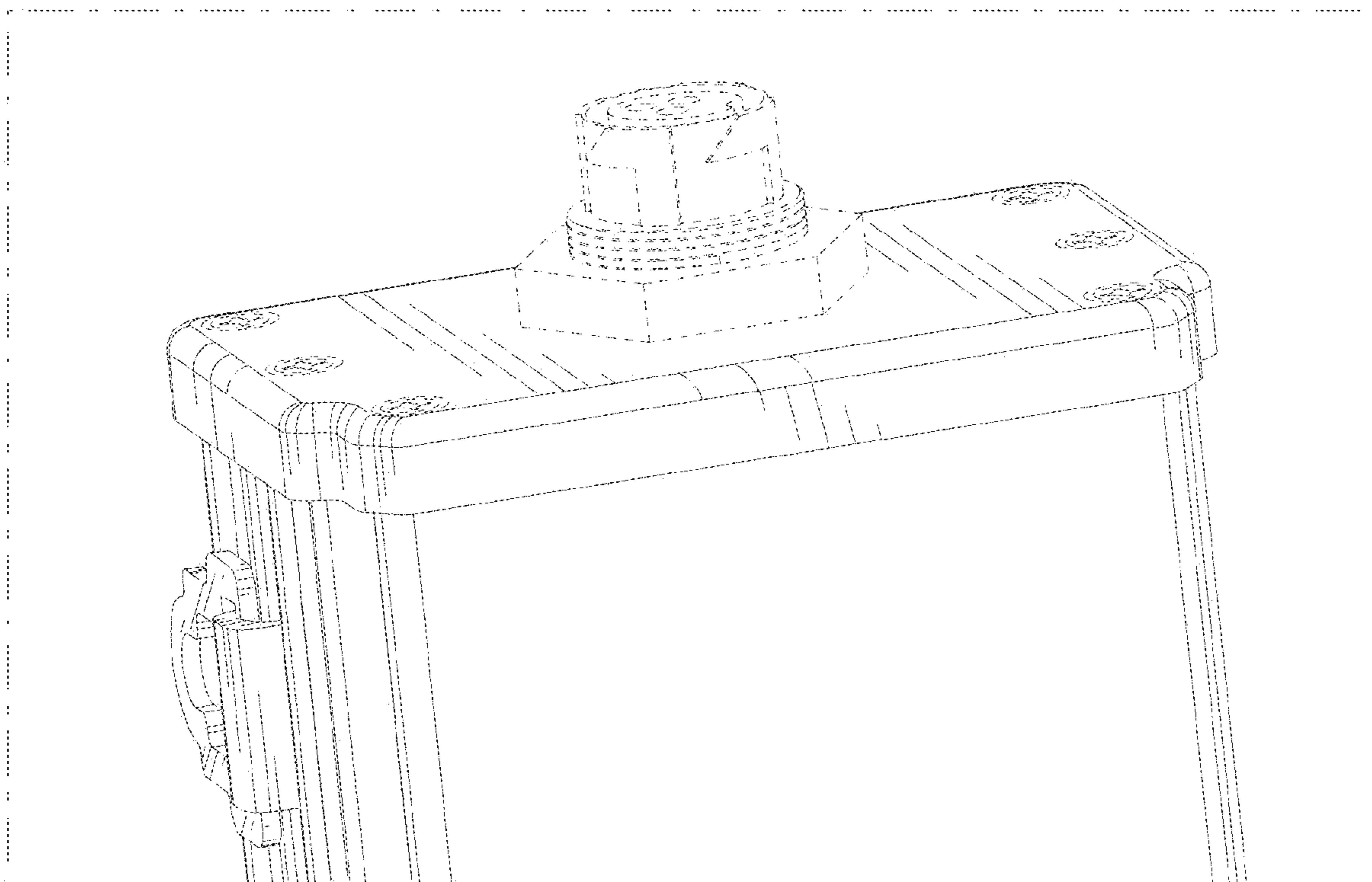


FIG.25

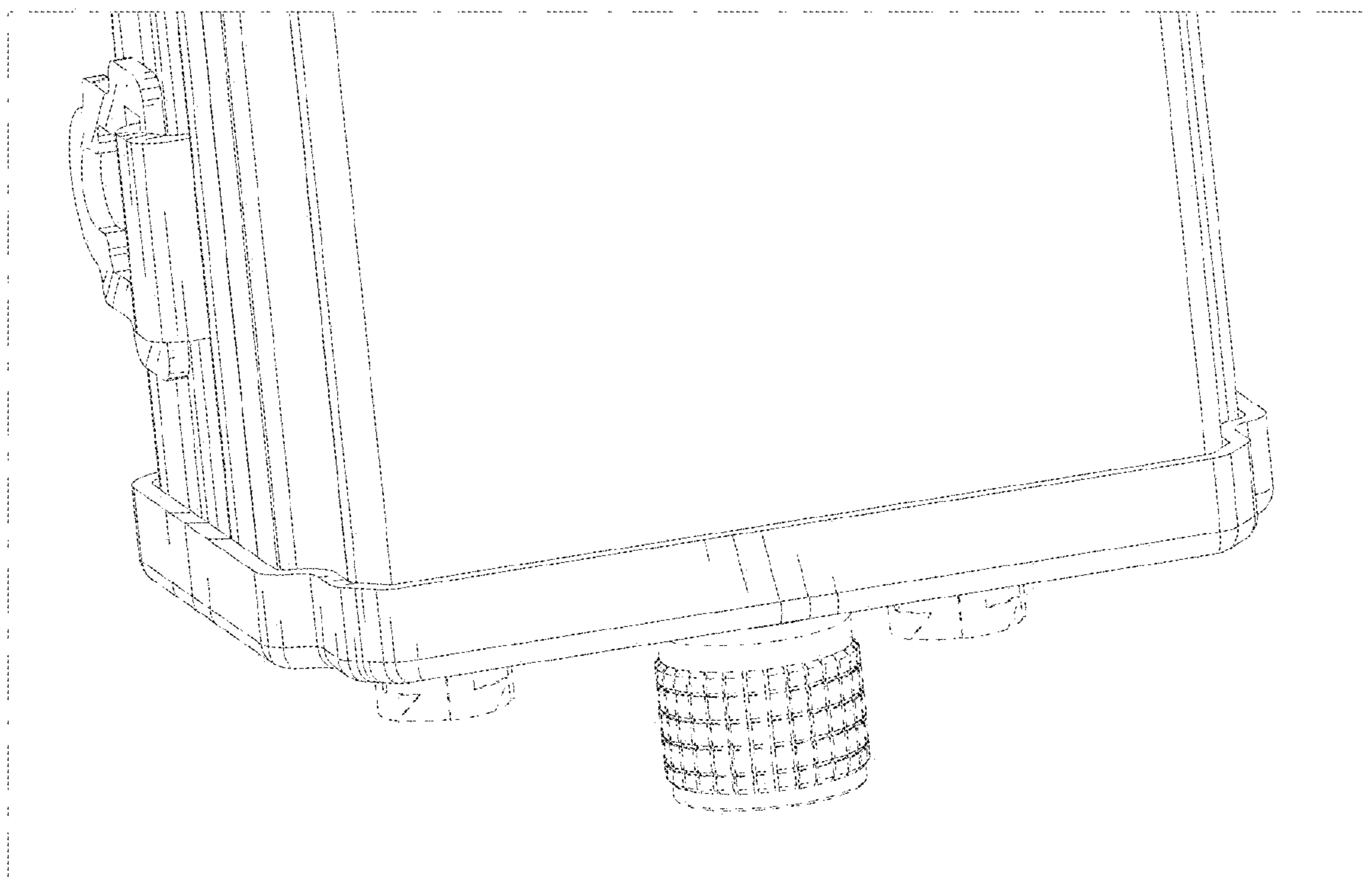


FIG.26