



US00D945042S

(12) **United States Design Patent**  
**Duckworth**

(10) **Patent No.:** **US D945,042 S**  
(45) **Date of Patent:** **\*\* Mar. 1, 2022**

(54) **AREA LUMINAIRE**

(71) Applicant: **Hubbell Incorporated**, Shelton, CT (US)

(72) Inventor: **Jason Duckworth**, Simpsonville, SC (US)

(73) Assignee: **Hubbell Incorporated**, Shelton, CT (US)

(\*\*) Term: **15 Years**

(21) Appl. No.: **29/678,455**

(22) Filed: **Jan. 29, 2019**

**Related U.S. Application Data**

(62) Division of application No. 29/591,116, filed on Jan. 17, 2017, now Pat. No. Des. 841,223, which is a (Continued)

(51) **LOC (13) Cl.** ..... **26-05**

(52) **U.S. Cl.**  
USPC ..... **D26/71; D26/92**

(58) **Field of Classification Search**  
USPC ..... D26/63, 67-72, 87, 92, 118  
(Continued)

(56) **References Cited**

**U.S. PATENT DOCUMENTS**

4,426,676 A 1/1984 Taylor  
5,000,535 A 3/1991 Churchill  
(Continued)

**FOREIGN PATENT DOCUMENTS**

EP 2600055 6/2013

**OTHER PUBLICATIONS**

AIRO Micro Strike Area/Site Luminaire Family brochure © 2021.  
Retrieved from <<https://www.hubbell.com/>>. (Year: 2021).\*

*Primary Examiner* — Clare E Heflin

(74) *Attorney, Agent, or Firm* — Michael Best & Friedrich LLP

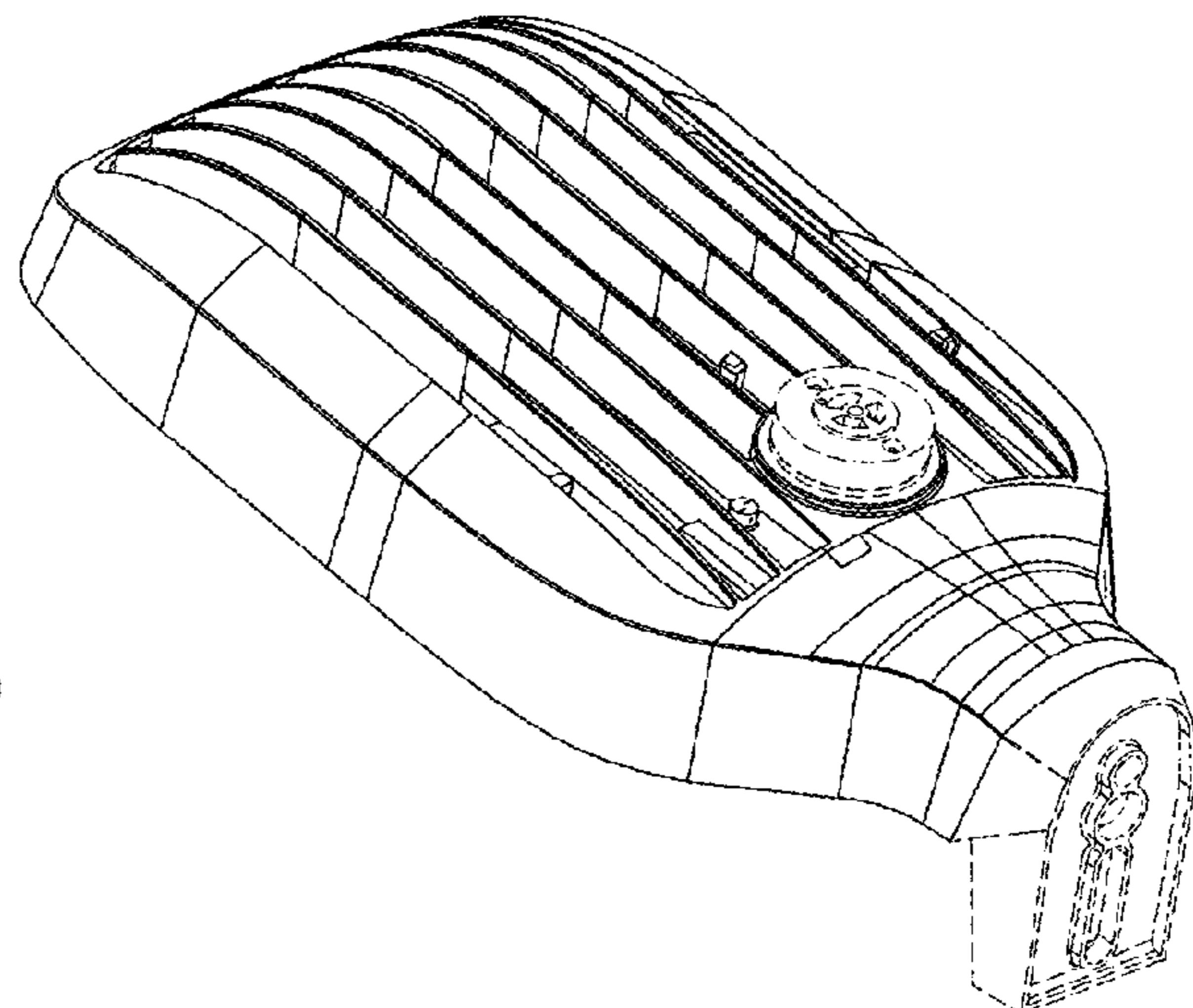
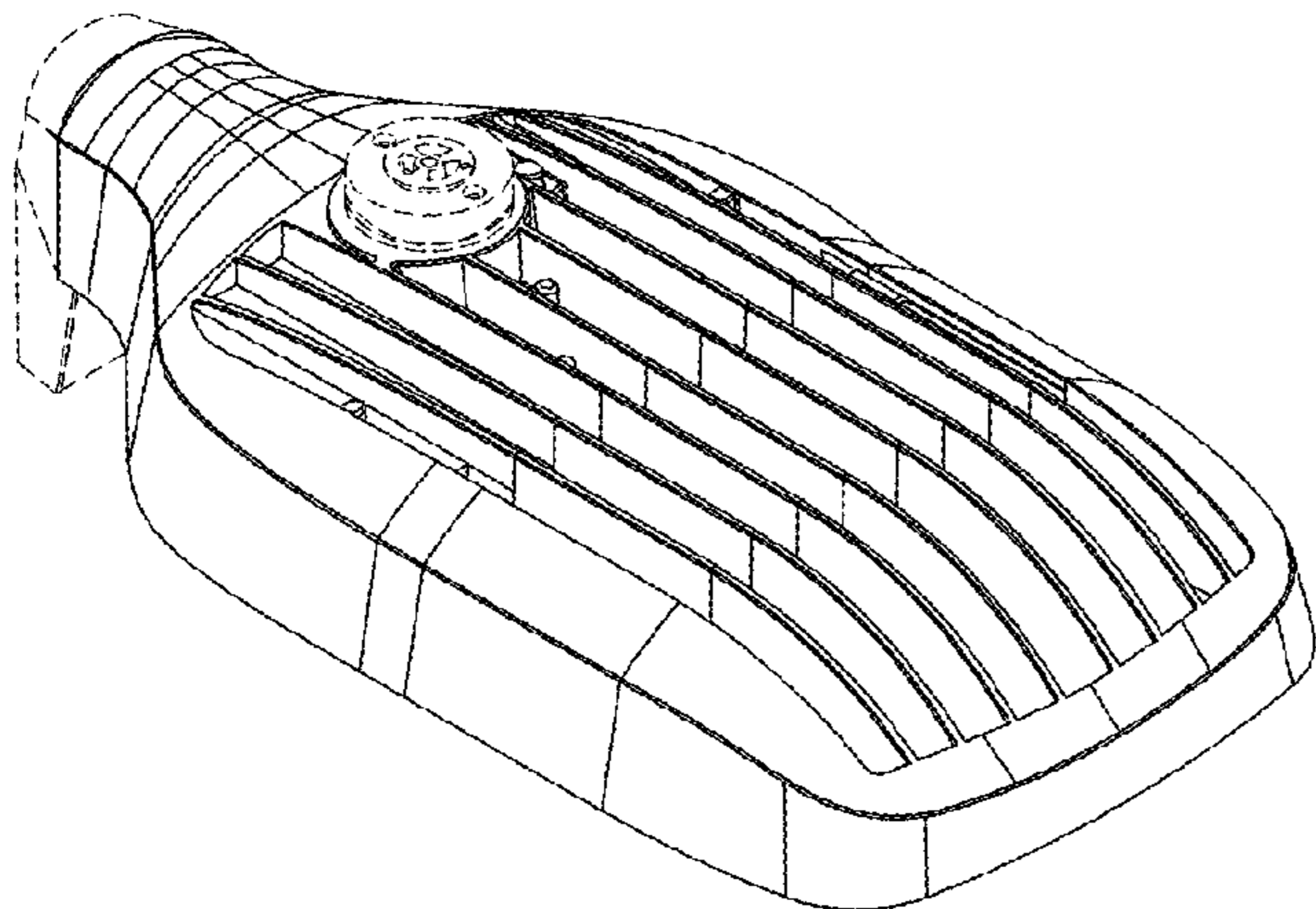
(57) **CLAIM**

The ornamental design for an area luminaire, as shown and described.

**DESCRIPTION**

FIG. 1 is a top, front perspective view of an embodiment of the design;  
FIG. 2 is a bottom, front perspective view of FIG. 1;  
FIG. 3 is a top, rear perspective view of FIG. 1;  
FIG. 4 is a rear view of FIG. 1;  
FIG. 5 is a front view of FIG. 1;  
FIG. 6 is a top view of FIG. 1;  
FIG. 7 is a bottom view of FIG. 1;  
FIG. 8 is a right side view of FIG. 1;  
FIG. 9 is a top, front perspective view of an embodiment of the design;  
FIG. 10 is a bottom, front perspective view of FIG. 9;  
FIG. 11 is a top, rear perspective view of FIG. 9;  
FIG. 12 is a rear view of FIG. 9;  
FIG. 13 is a front view of FIG. 9;  
FIG. 14 is a top view of FIG. 9;  
FIG. 15 is a bottom view of FIG. 9;  
FIG. 16 is a right side view of FIG. 9;  
FIG. 17 is a top, front perspective view of an embodiment of the design;  
FIG. 18 is a bottom, front perspective view of FIG. 17;  
FIG. 19 is a top, rear perspective view of FIG. 17;  
FIG. 20 is a rear view of FIG. 17;  
FIG. 21 is a front view of FIG. 17;  
FIG. 22 is a top view of FIG. 17;  
FIG. 23 is a bottom view of FIG. 17; and,  
FIG. 24 is a right side view of FIG. 17.  
The broken lines show portions of the area luminaire that form no part of the claimed design.

**1 Claim, 6 Drawing Sheets**



**Related U.S. Application Data**

division of application No. 29/525,604, filed on Apr. 30, 2015, now Pat. No. Des. 776,859.

(58) **Field of Classification Search**

CPC .. F21S 8/085; F21S 8/086; F21S 8/068; F21S 9/03; F21S 9/037; F21W 2131/103; F21W 2131/107; F21W 2131/109

See application file for complete search history.

(56) **References Cited**

U.S. PATENT DOCUMENTS

7,521,852	B2	3/2009	Choi
D644,370	S	8/2011	Lickiss
D646,420	S	10/2011	Chen
D660,494	S	5/2012	Wang
D672,492	S	12/2012	Butler
8,517,575	B2	8/2013	Arai
D695,438	S	12/2013	Liu
D715,984	S	10/2014	Durdle
D717,988	S	11/2014	Zhu
D747,527	S	1/2016	Guercio
D770,659	S	11/2016	Zhu

D773,096	S	11/2016	Zhu
D832,484	S *	10/2018	Duckworth ..... D26/71
10,161,581	B1 *	12/2018	Chiu ..... F16L 37/02
D841,223	S *	2/2019	Duckworth ..... D26/92
D860,497	S *	9/2019	Zhu ..... D26/71
10,816,165	B2 *	10/2020	McCracken, Jr. .... F21V 17/005
D911,575	S *	2/2021	Ma ..... D26/71
2009/0237930	A1	9/2009	Li
2009/0251898	A1	10/2009	Kinnune et al.
2013/0003378	A1	1/2013	Dube
2013/0215606	A1	8/2013	Wang et al.
2014/0169003	A1	6/2014	Wang
2015/0160396	A1	6/2015	Wilcox
2015/0219329	A1	8/2015	Kim
2015/0345767	A1	12/2015	Lee
2015/0345772	A1 *	12/2015	Duckworth ..... F21S 8/085 362/373
2015/0362172	A1	12/2015	Gabriel
2016/0320046	A1 *	11/2016	Duckworth ..... F21V 21/108
2017/0167676	A1	6/2017	Wang
2017/0307197	A1 *	10/2017	Clark ..... H05B 45/54
2017/0370553	A1 *	12/2017	Demuynck ..... F21V 7/0091
2018/0045385	A1 *	2/2018	Tyukhova ..... H05B 47/16
2021/0120152	A1 *	4/2021	Cheng ..... F16M 11/18

\* cited by examiner

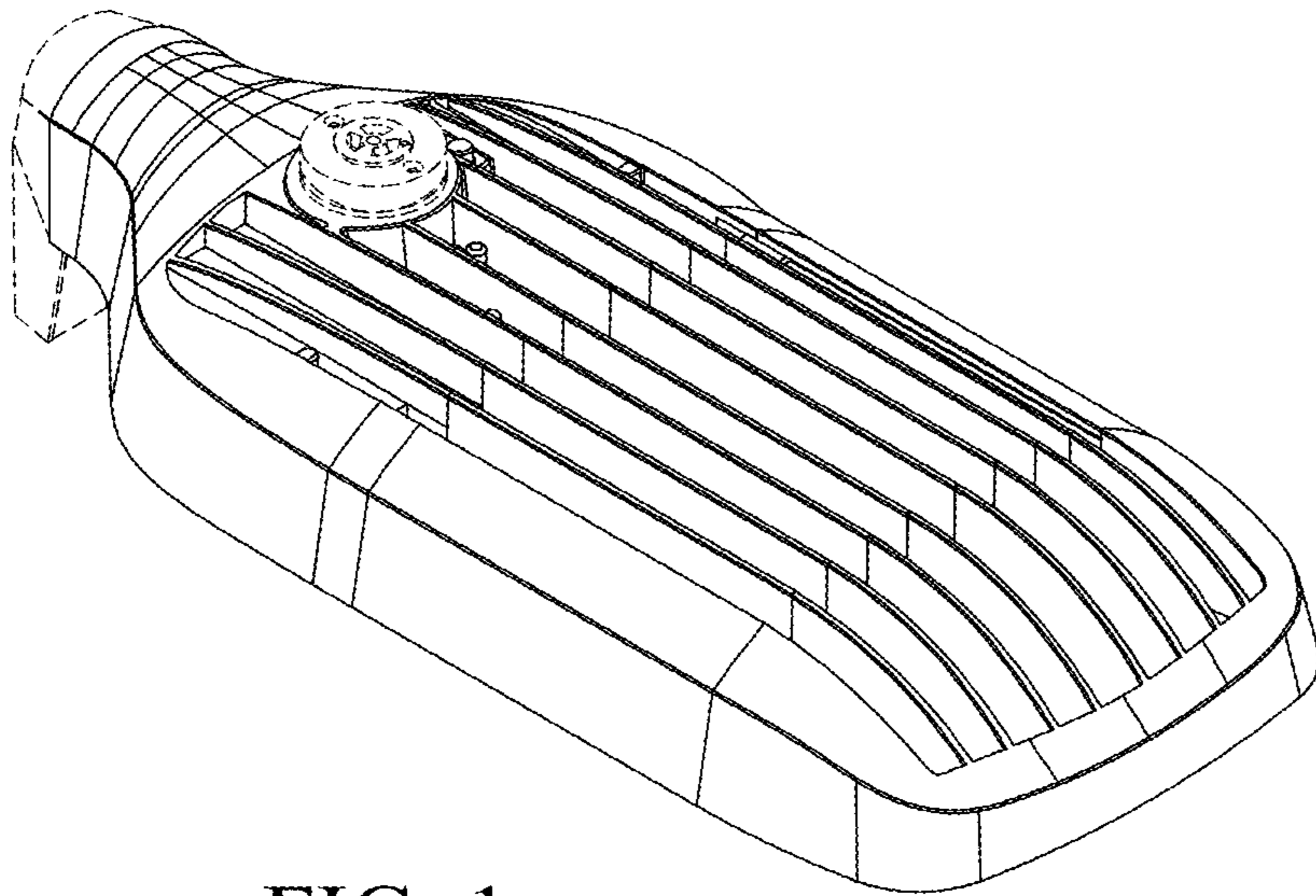


FIG. 1

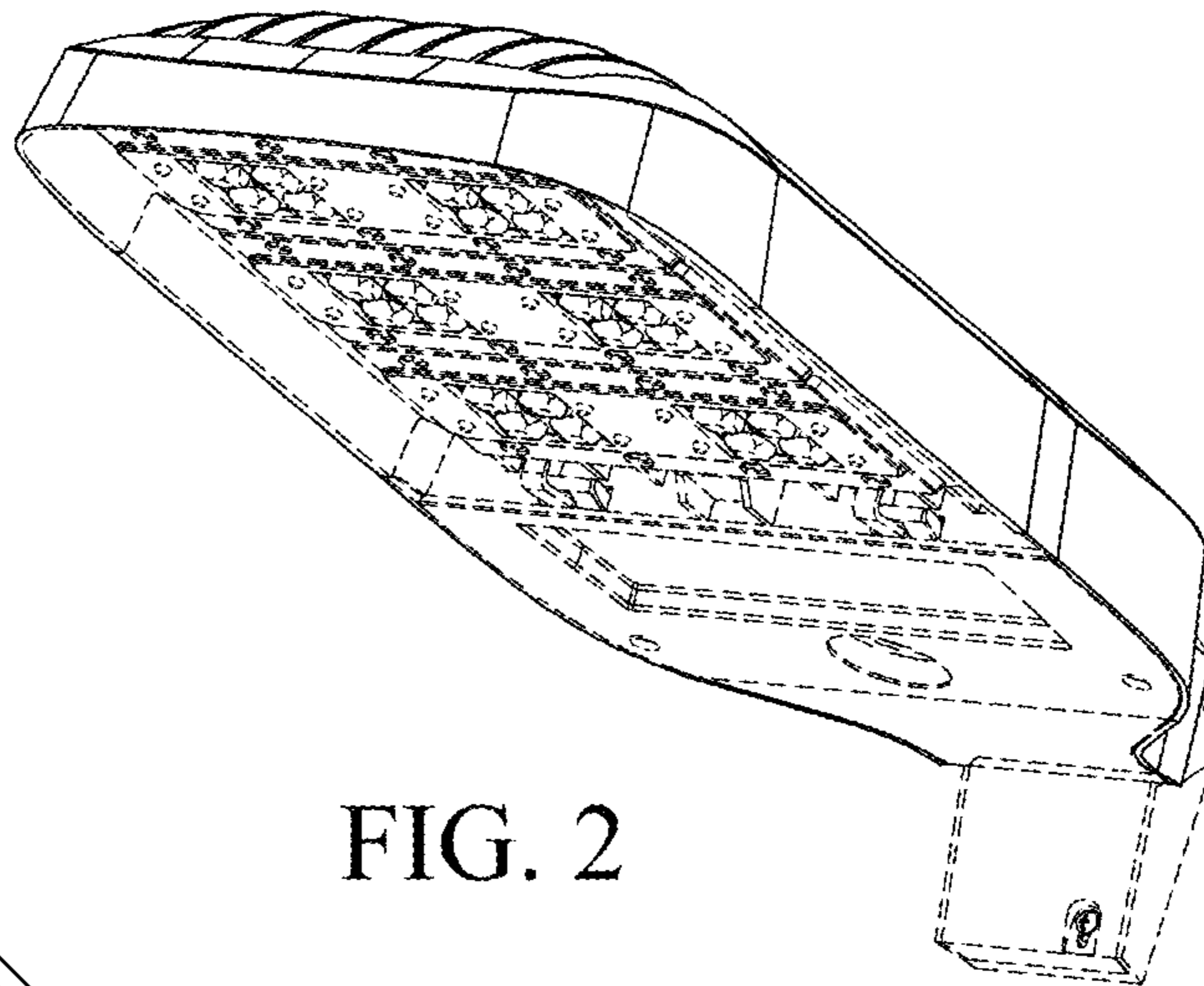


FIG. 2

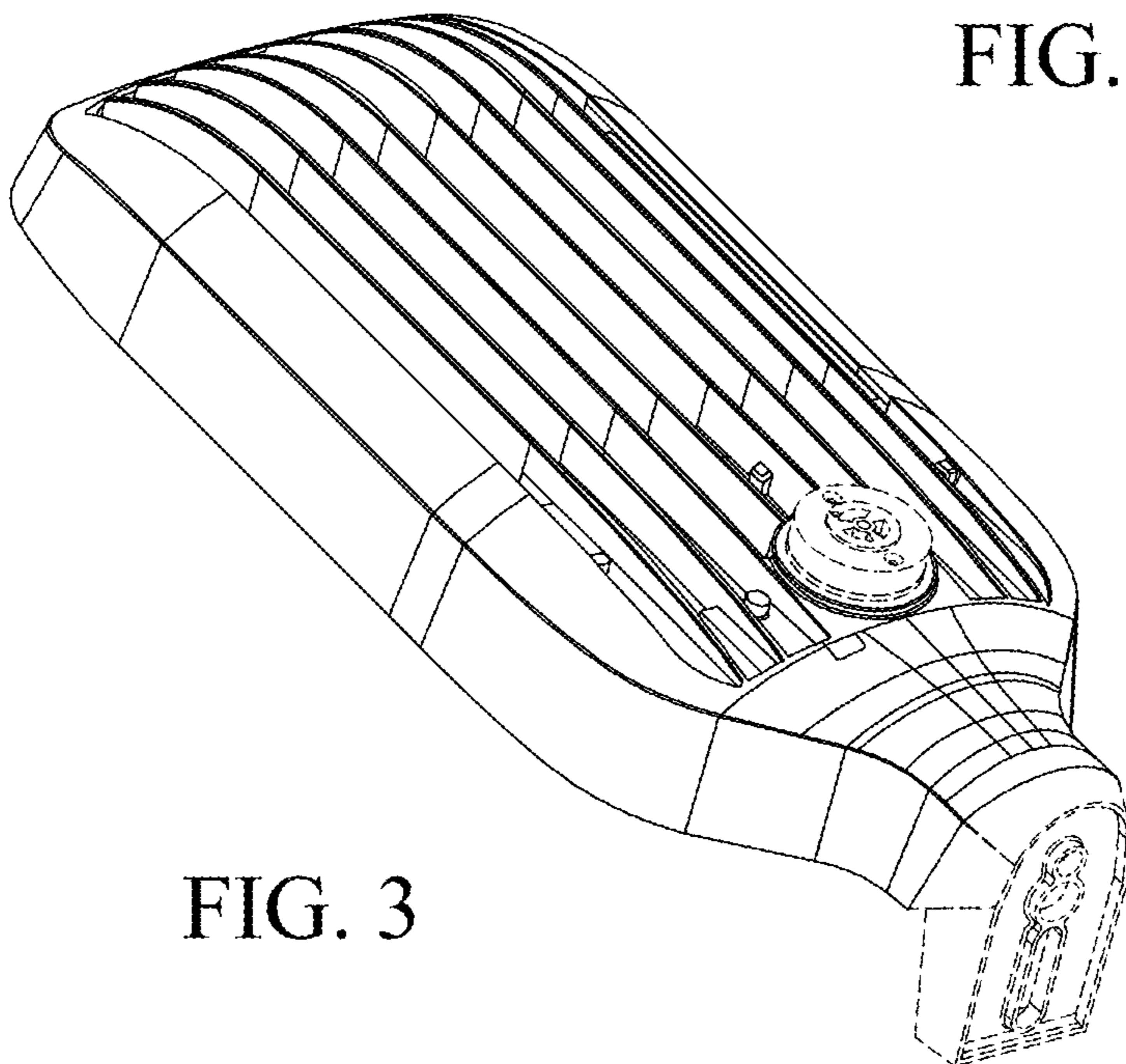


FIG. 3

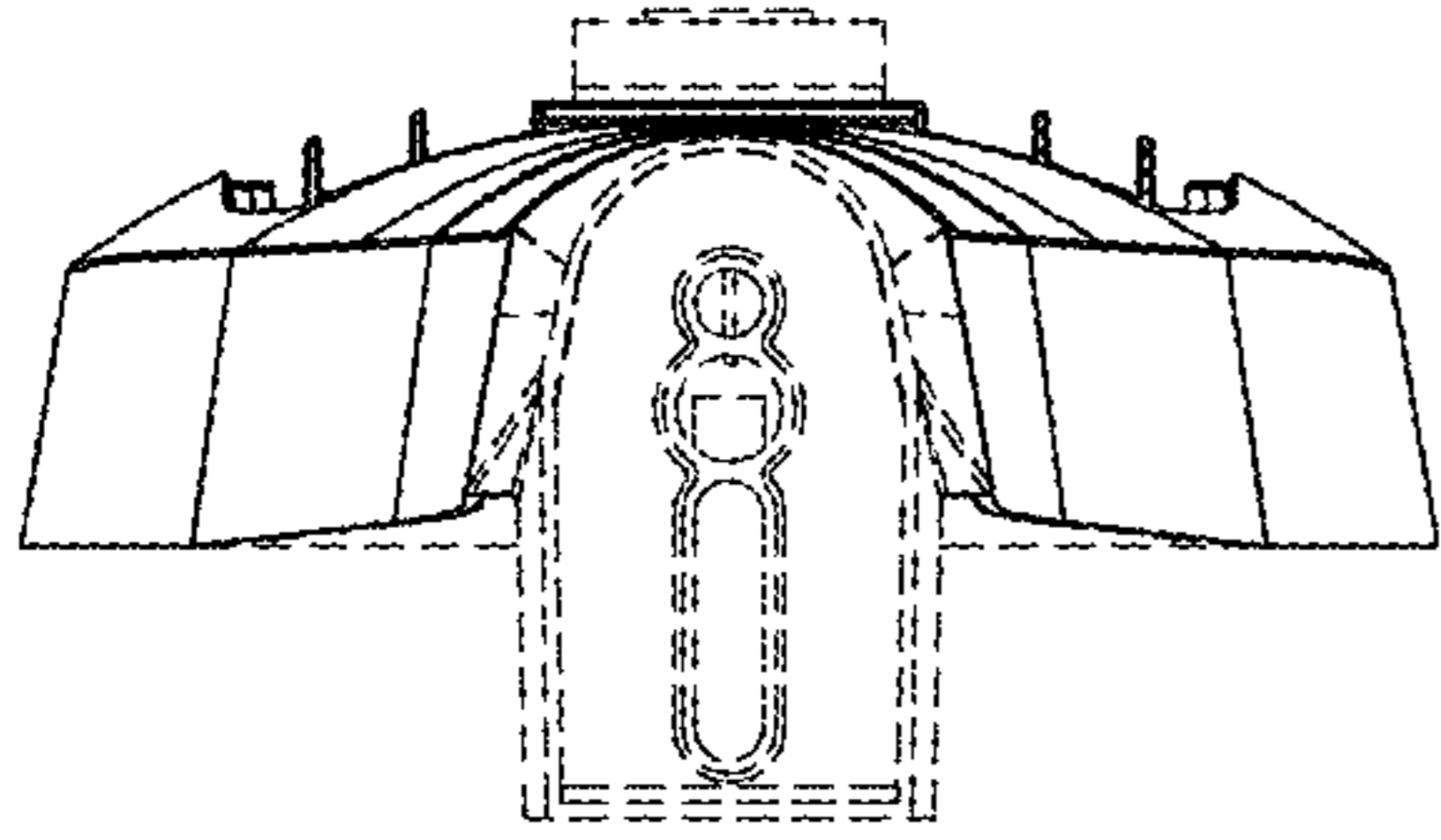


FIG. 4

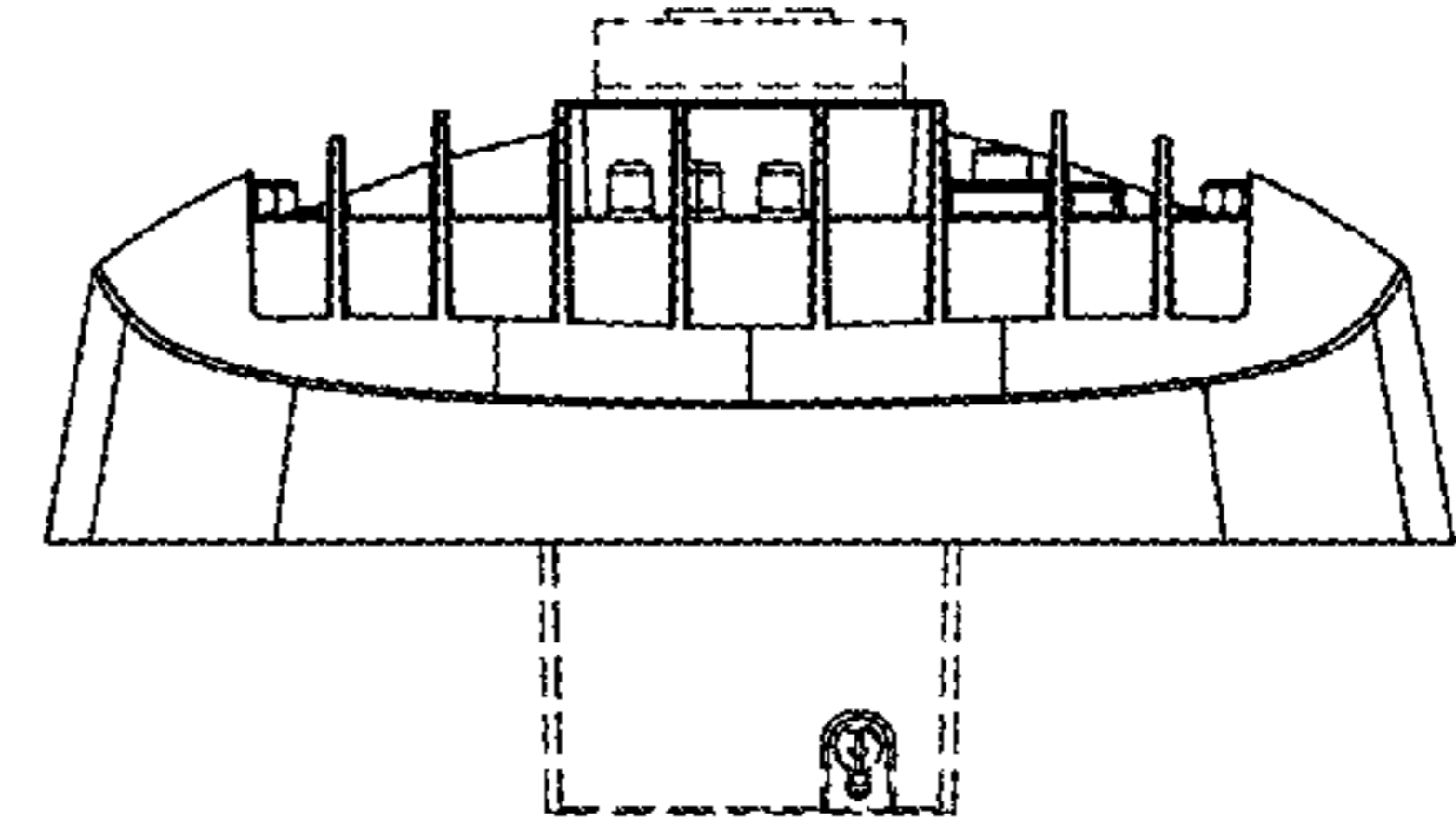


FIG. 5

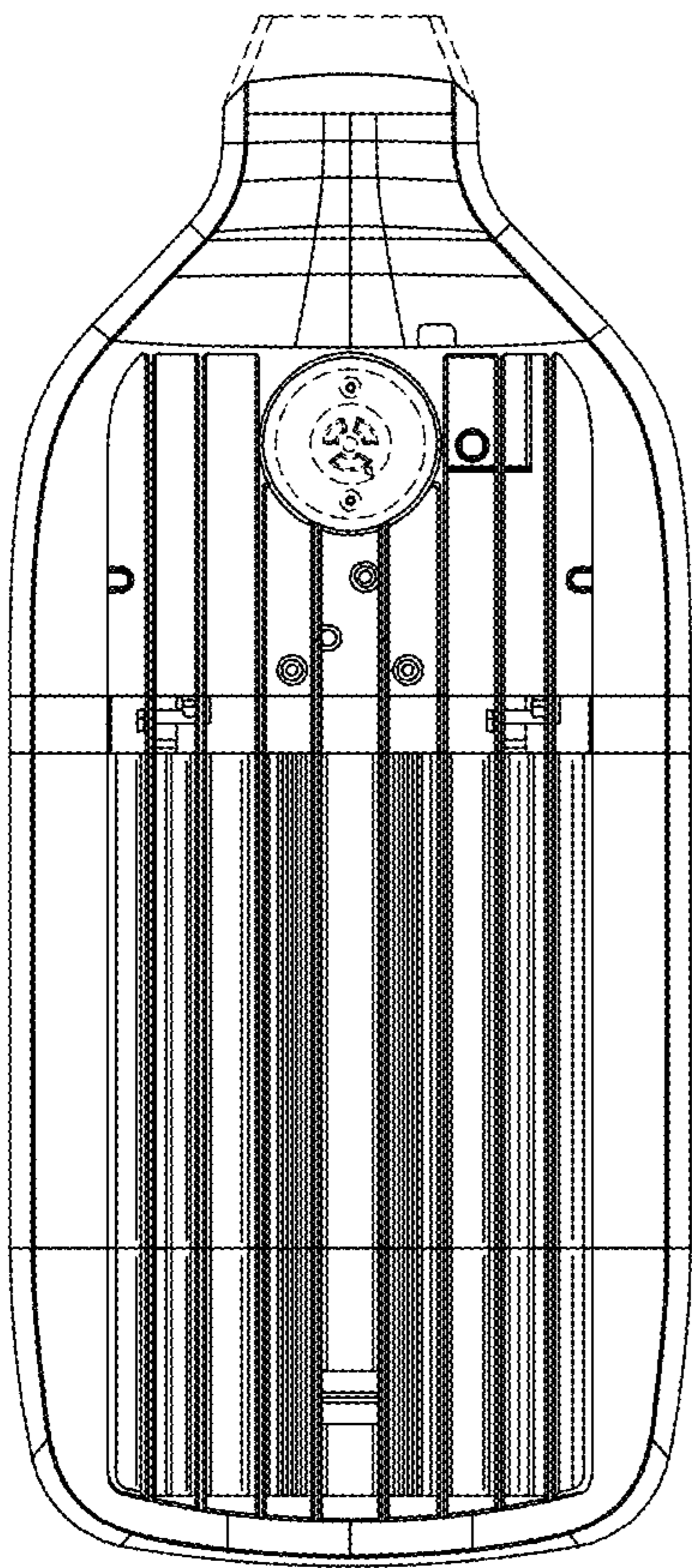


FIG. 6

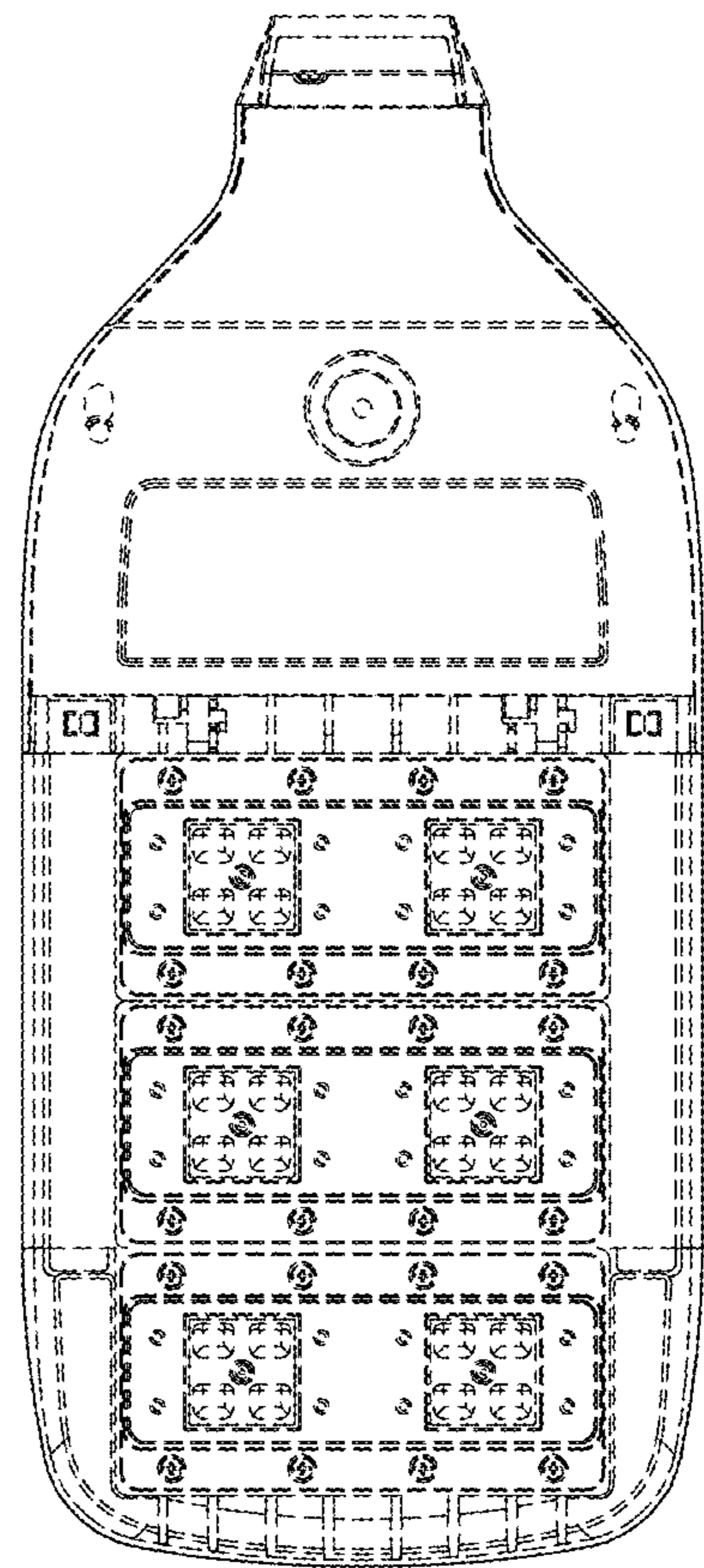


FIG. 7

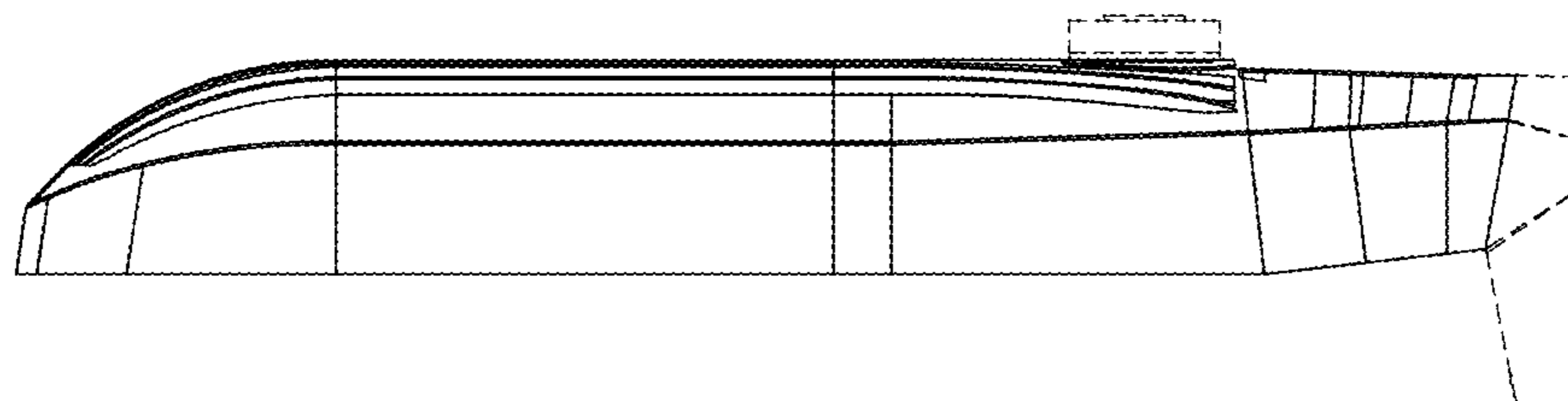


FIG. 8

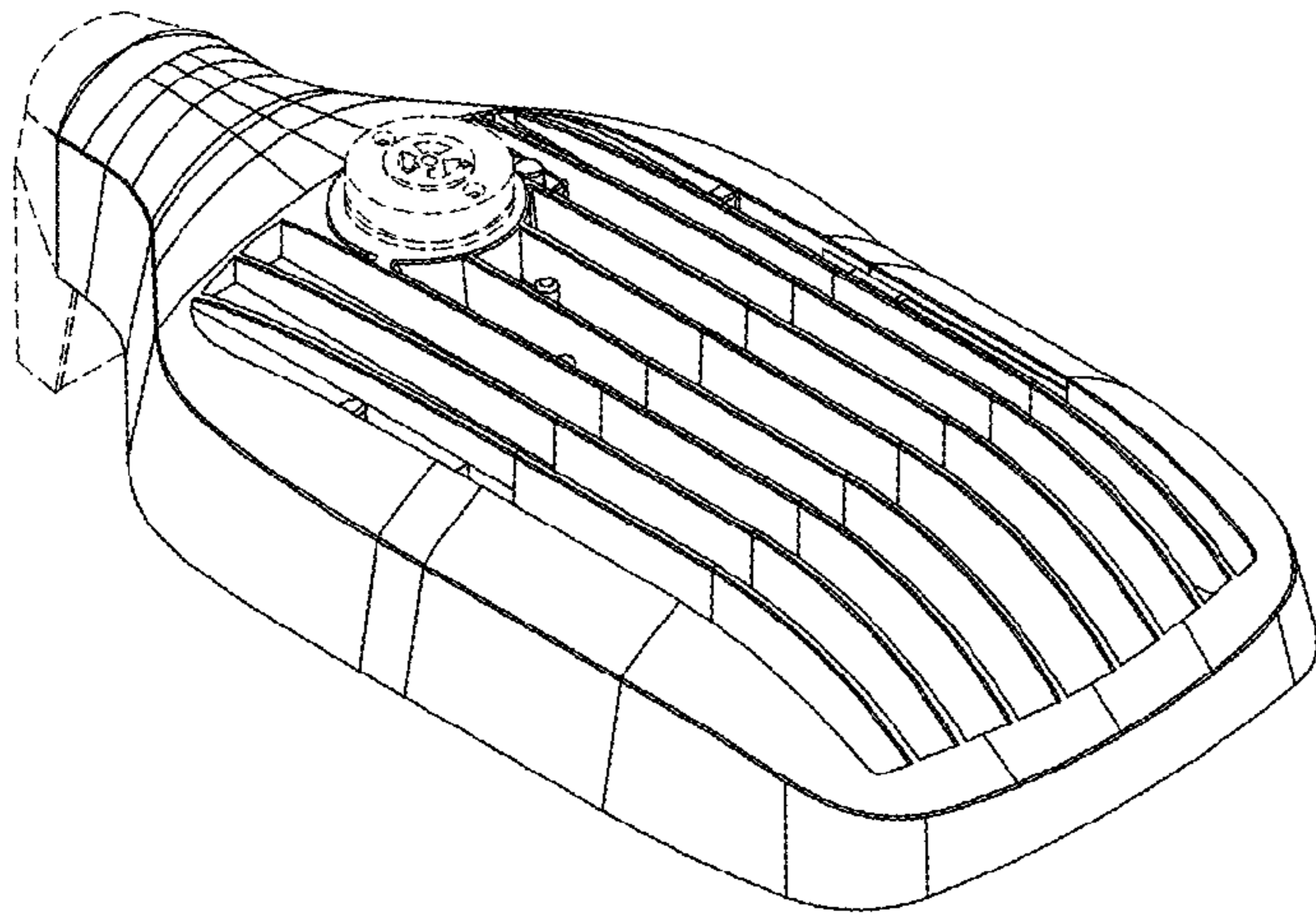


FIG. 9

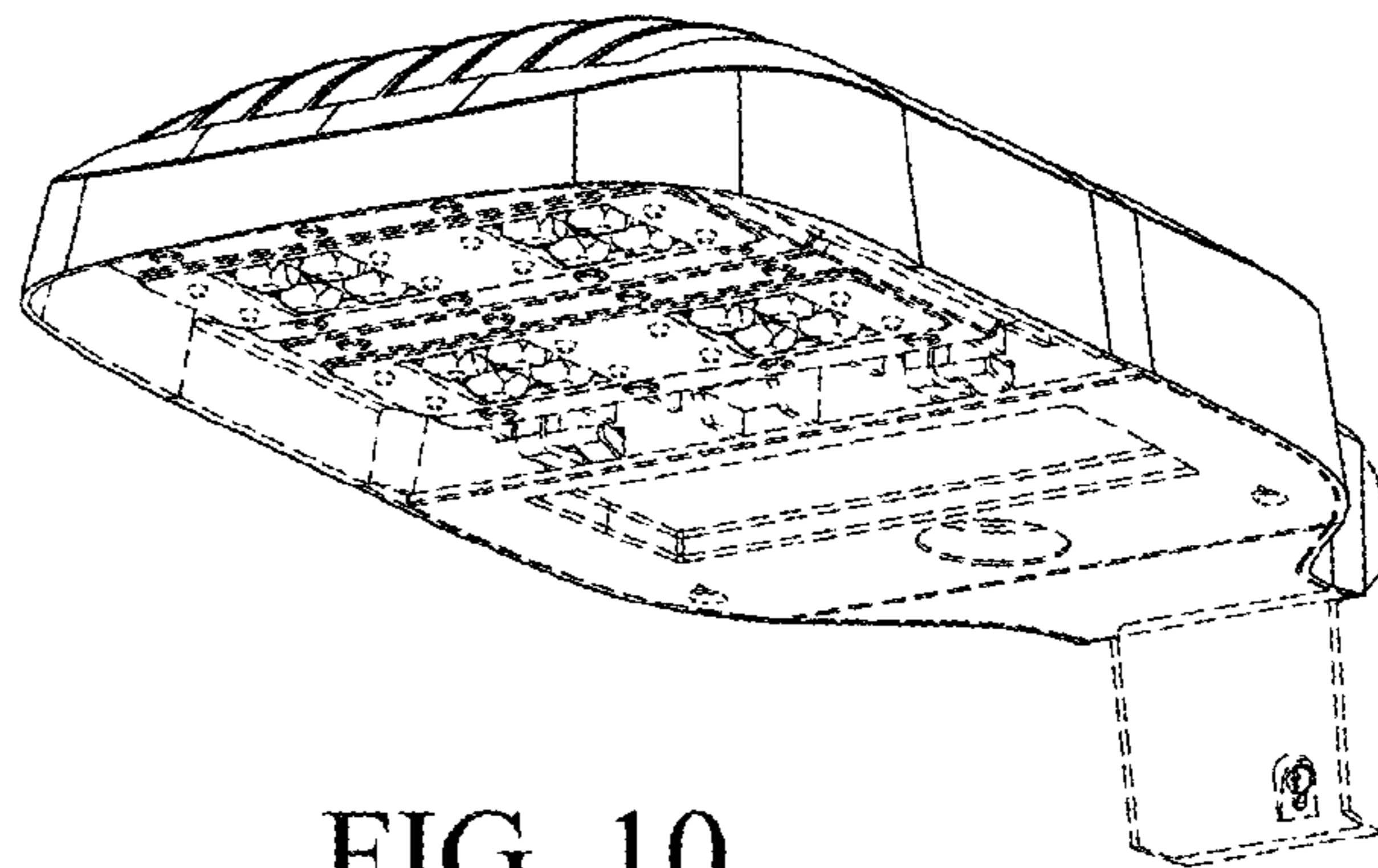


FIG. 10

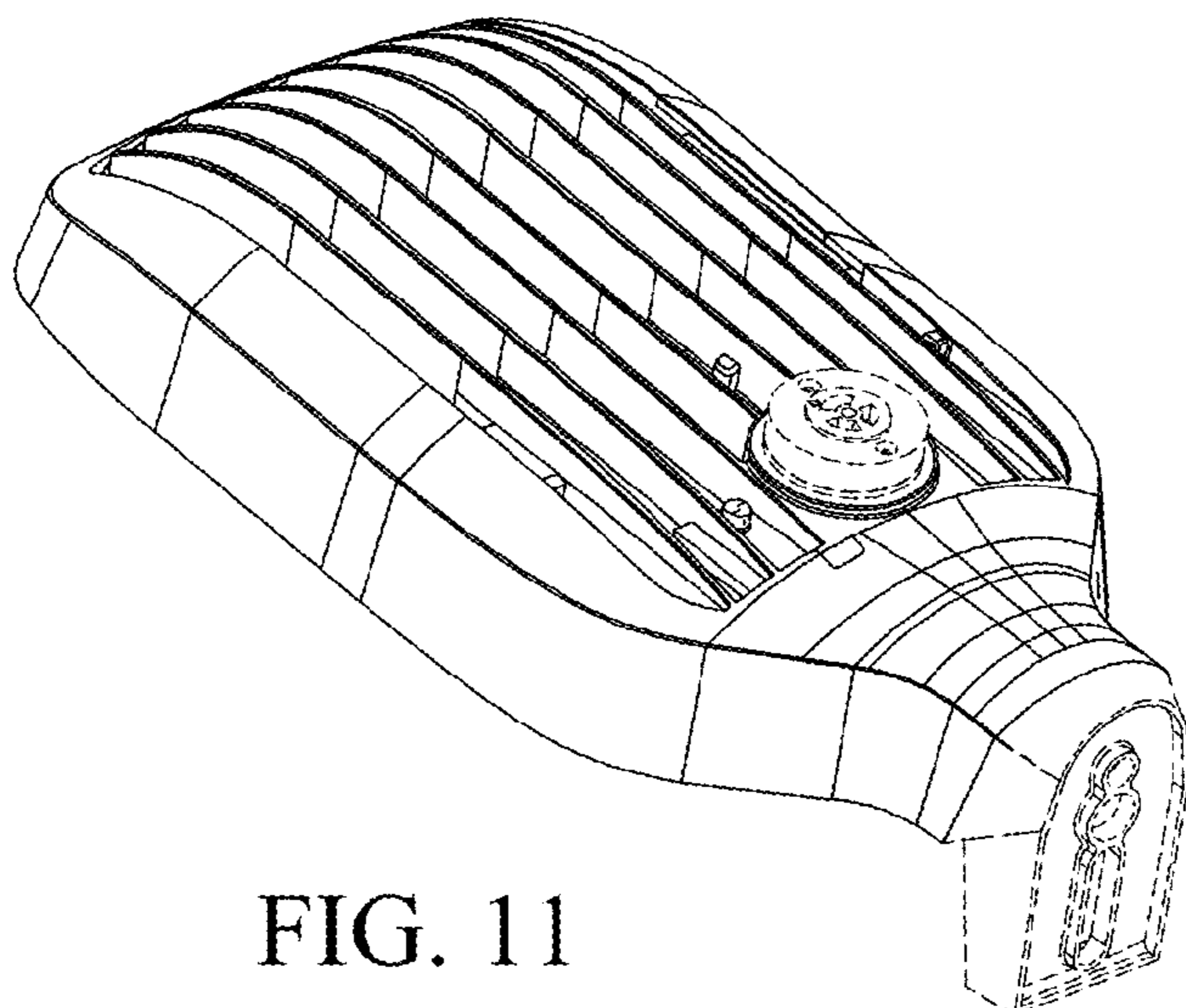


FIG. 11

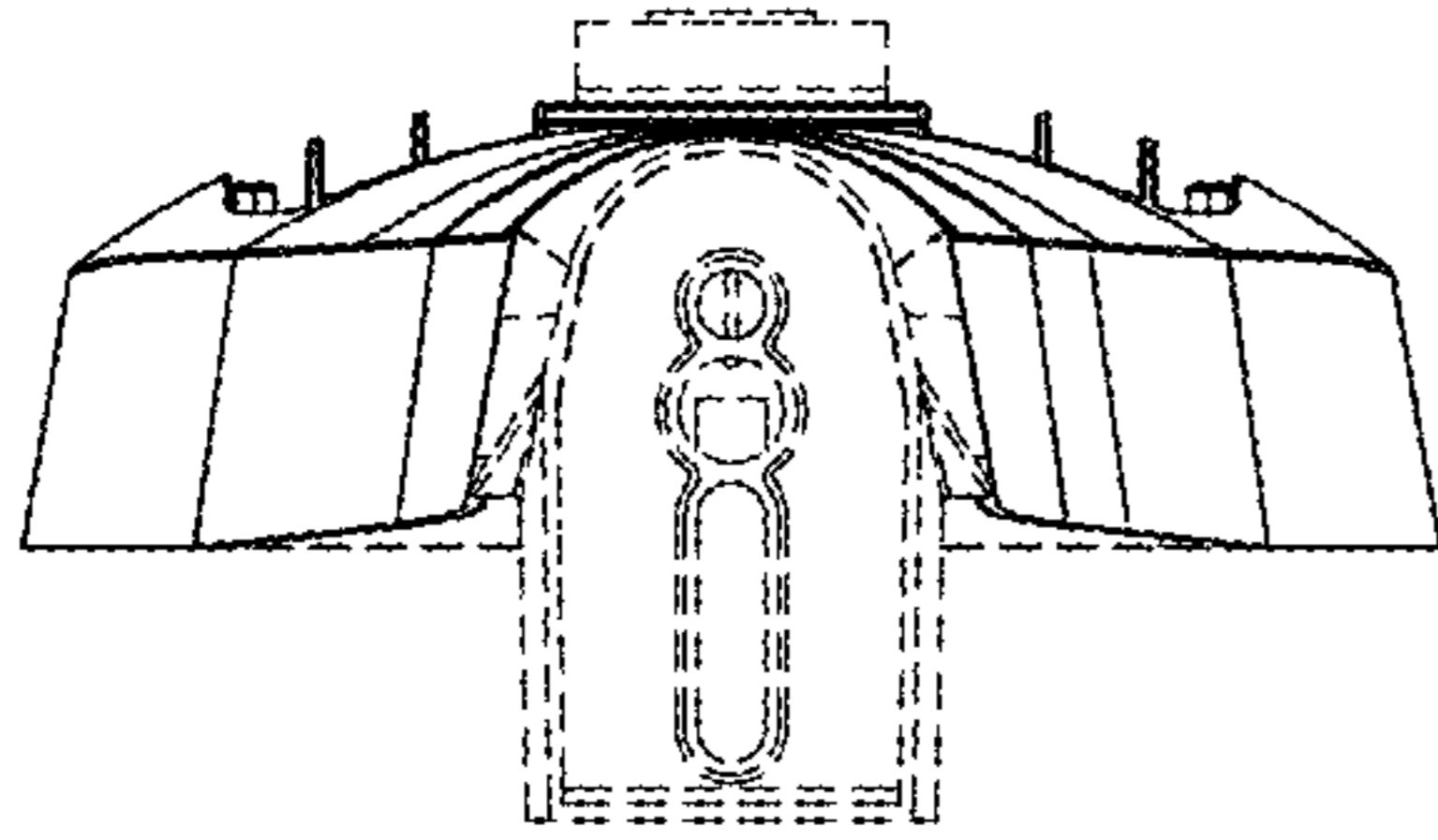


FIG. 12

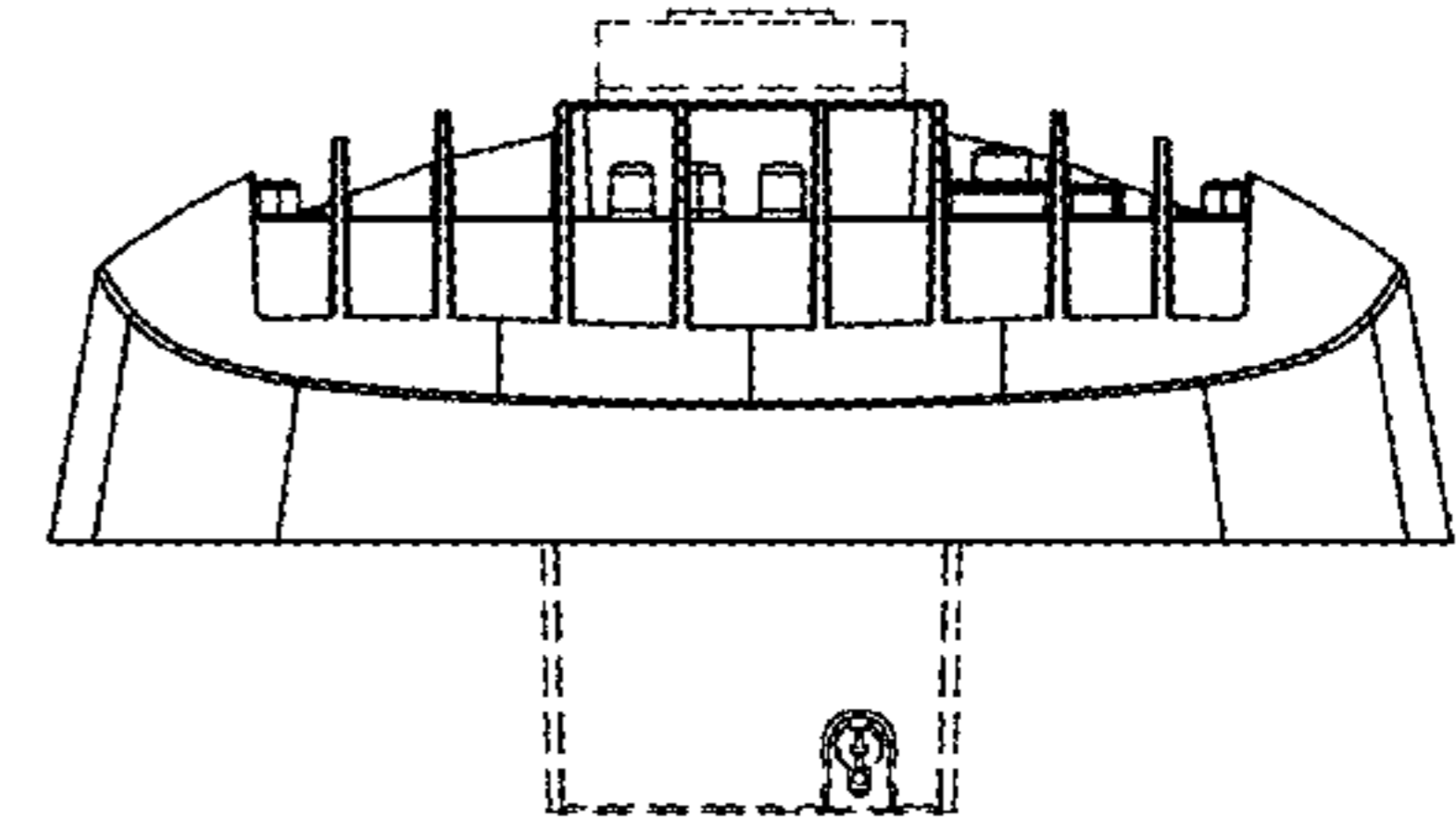


FIG. 13

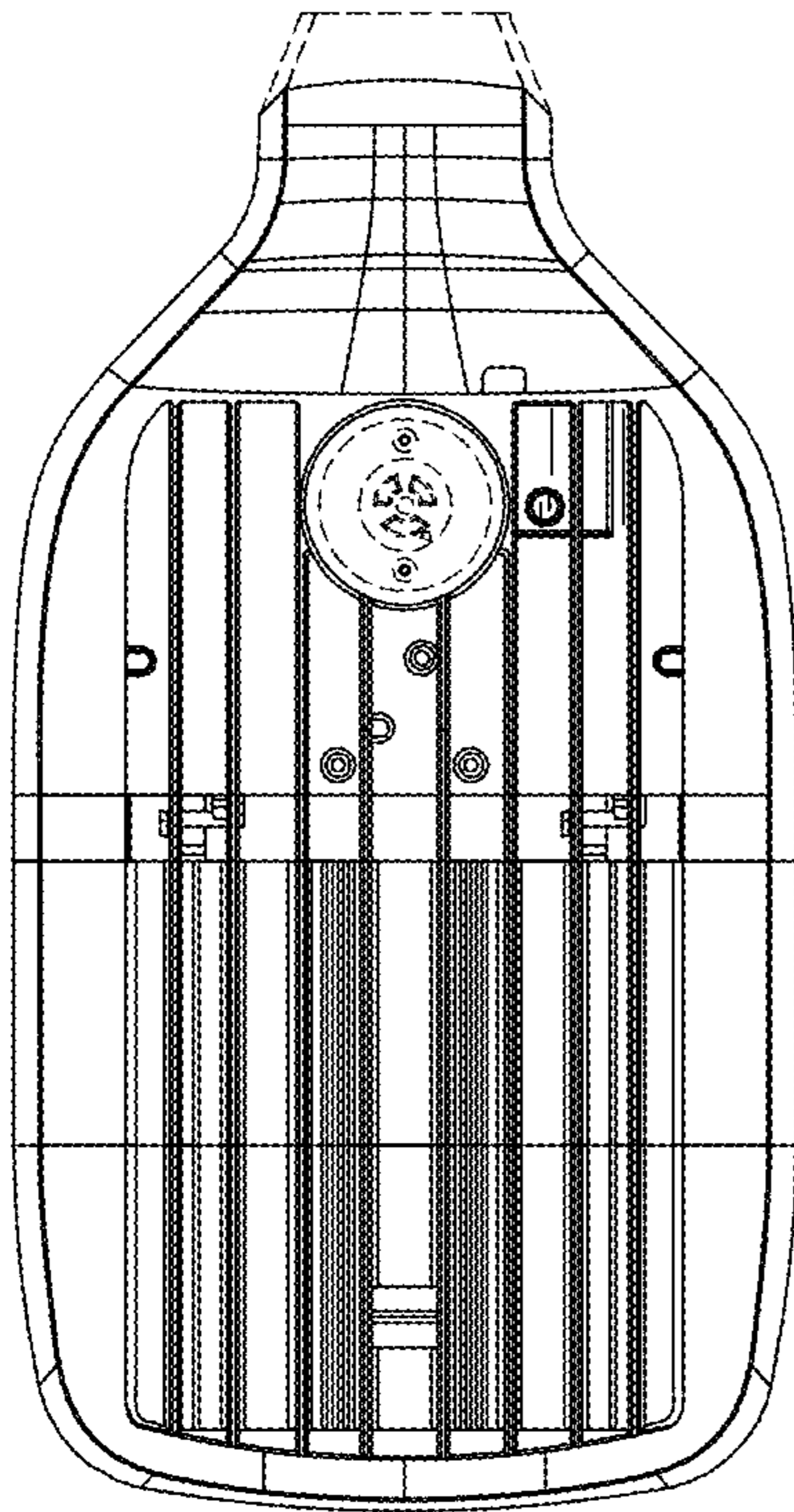


FIG. 14

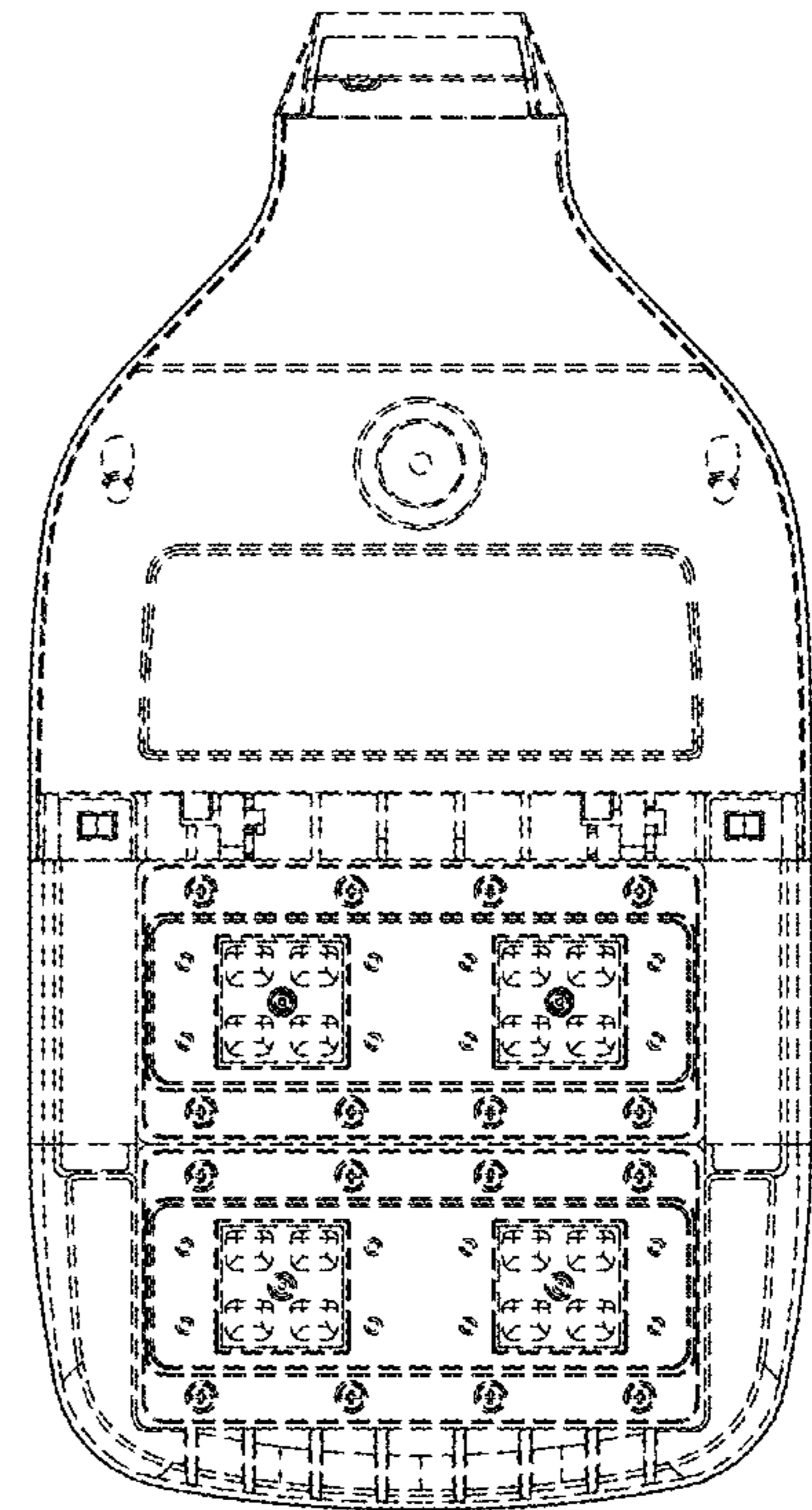


FIG. 15

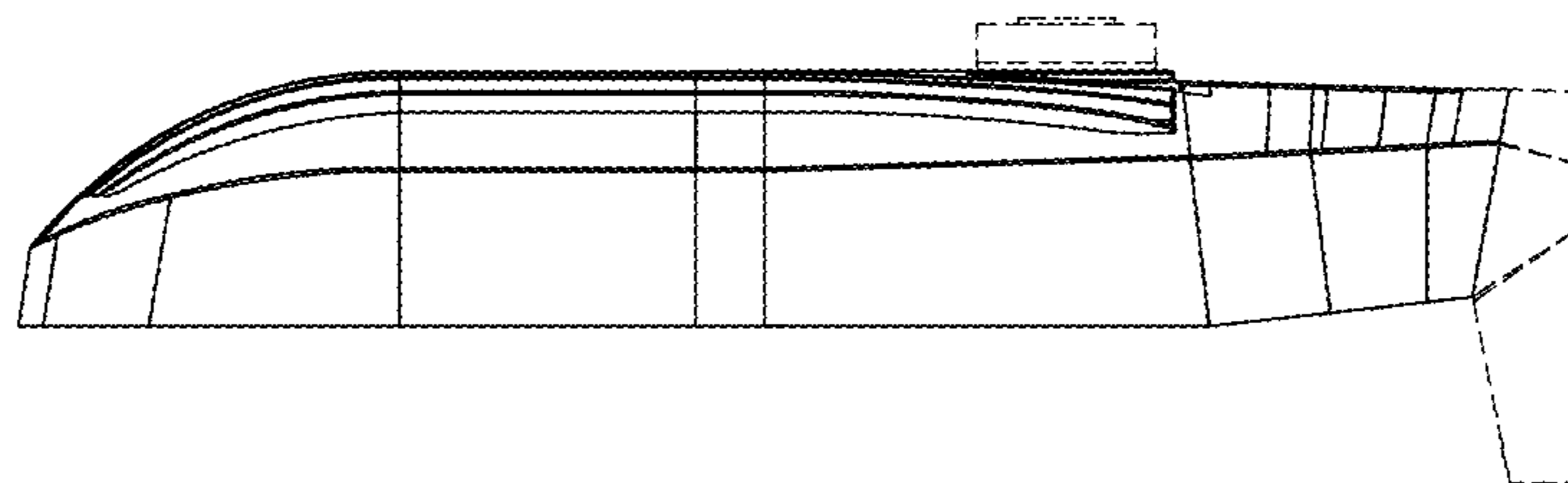


FIG. 16

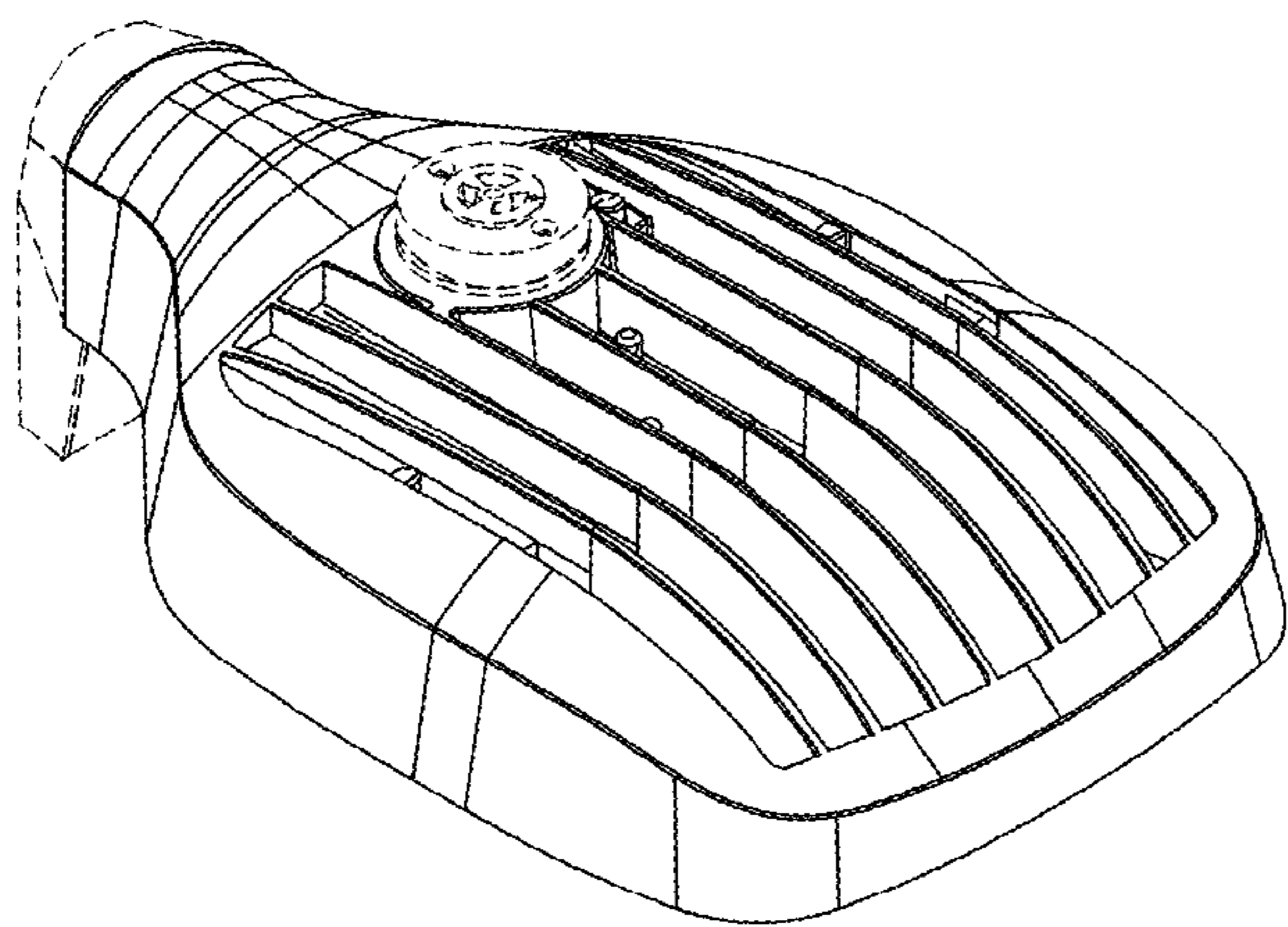


FIG. 17

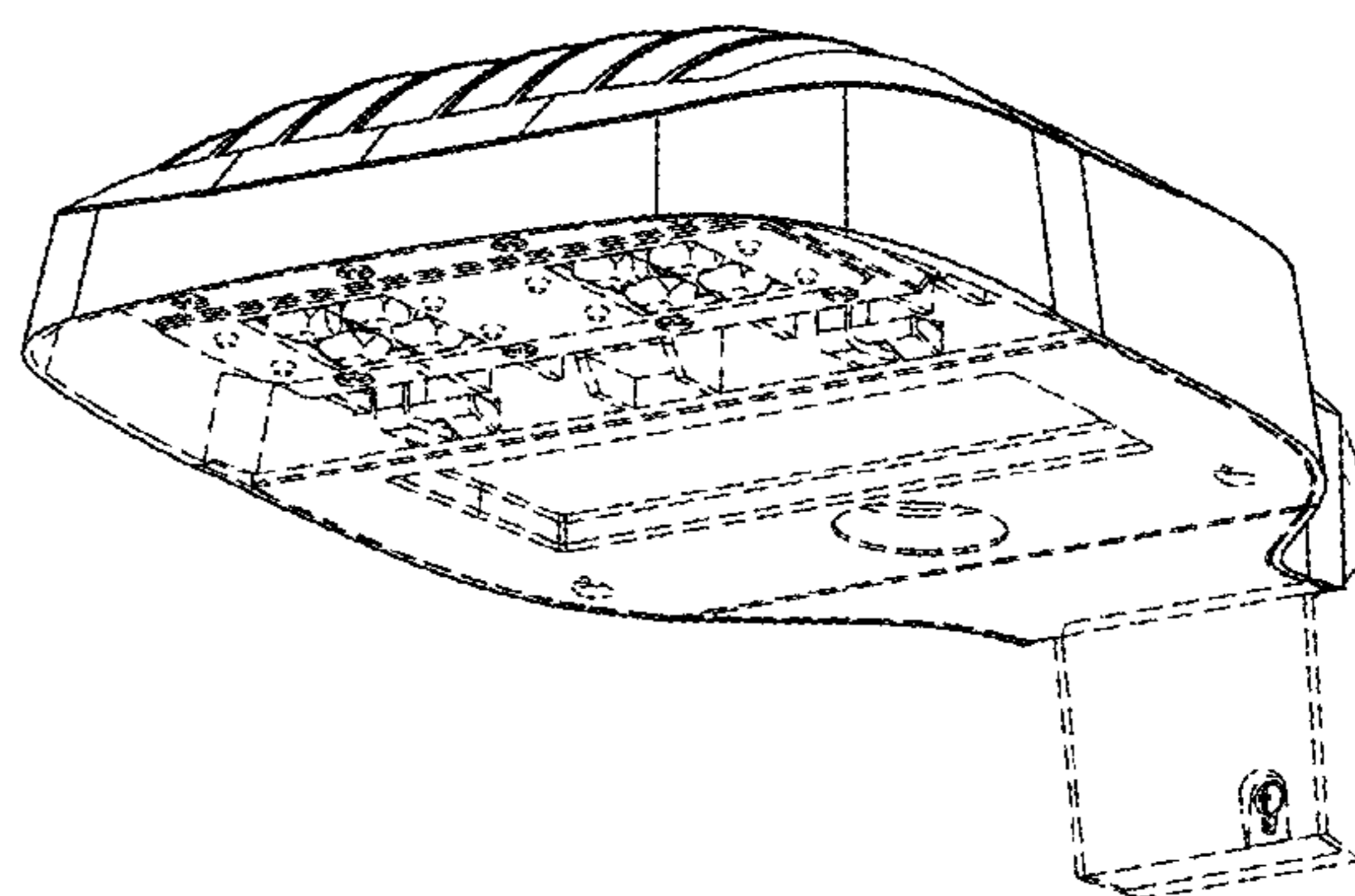


FIG. 18

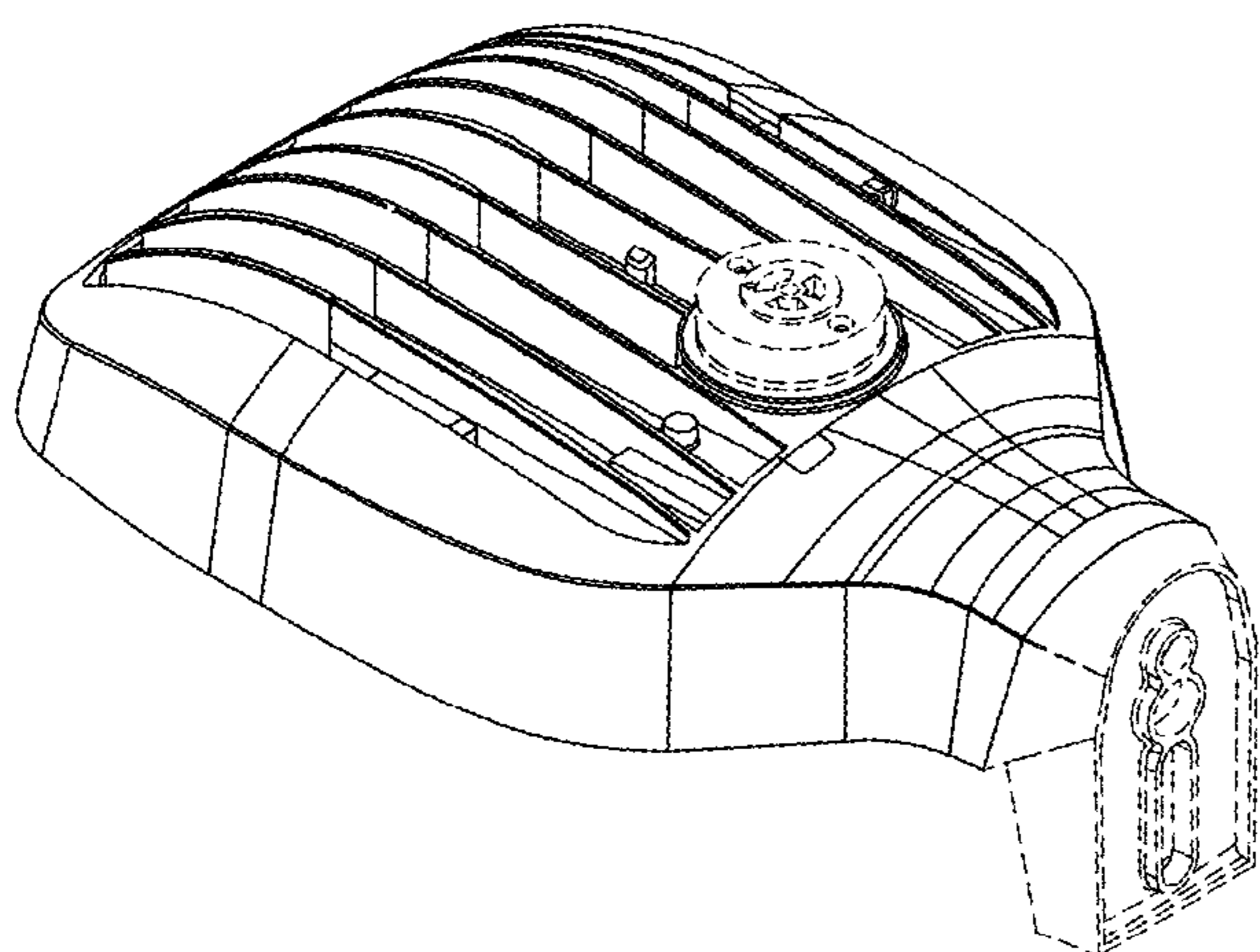


FIG. 19

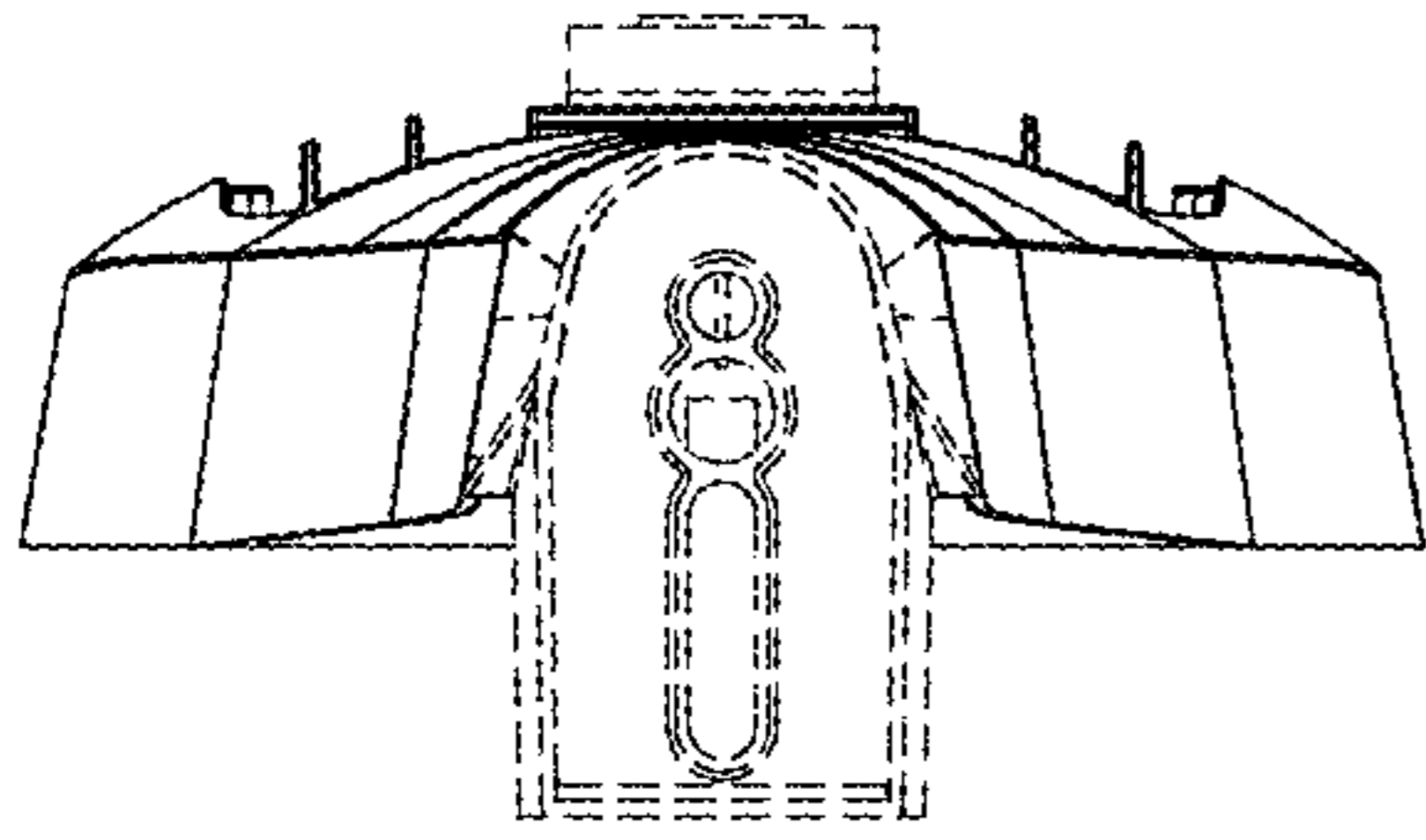


FIG. 20

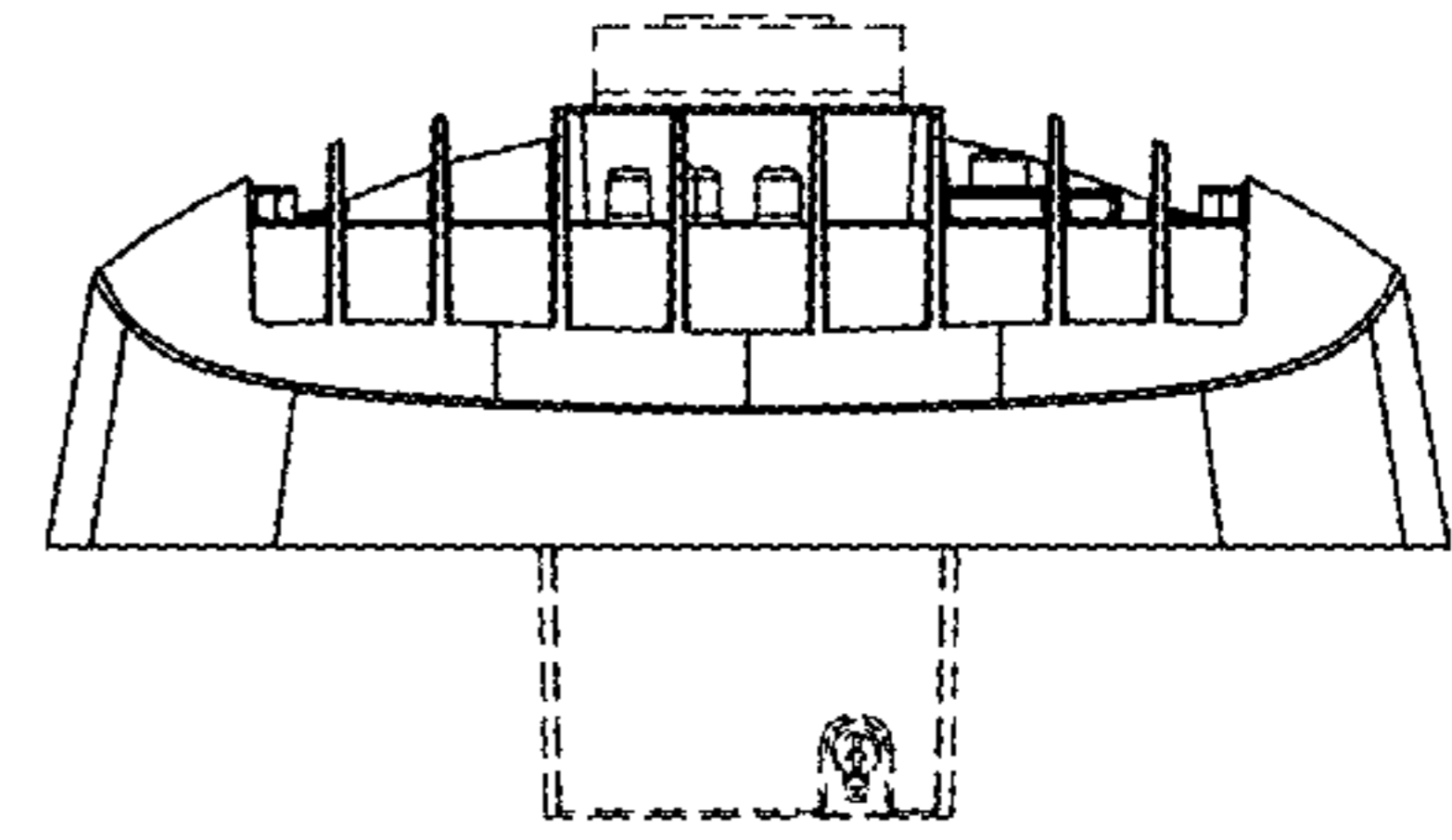


FIG. 21

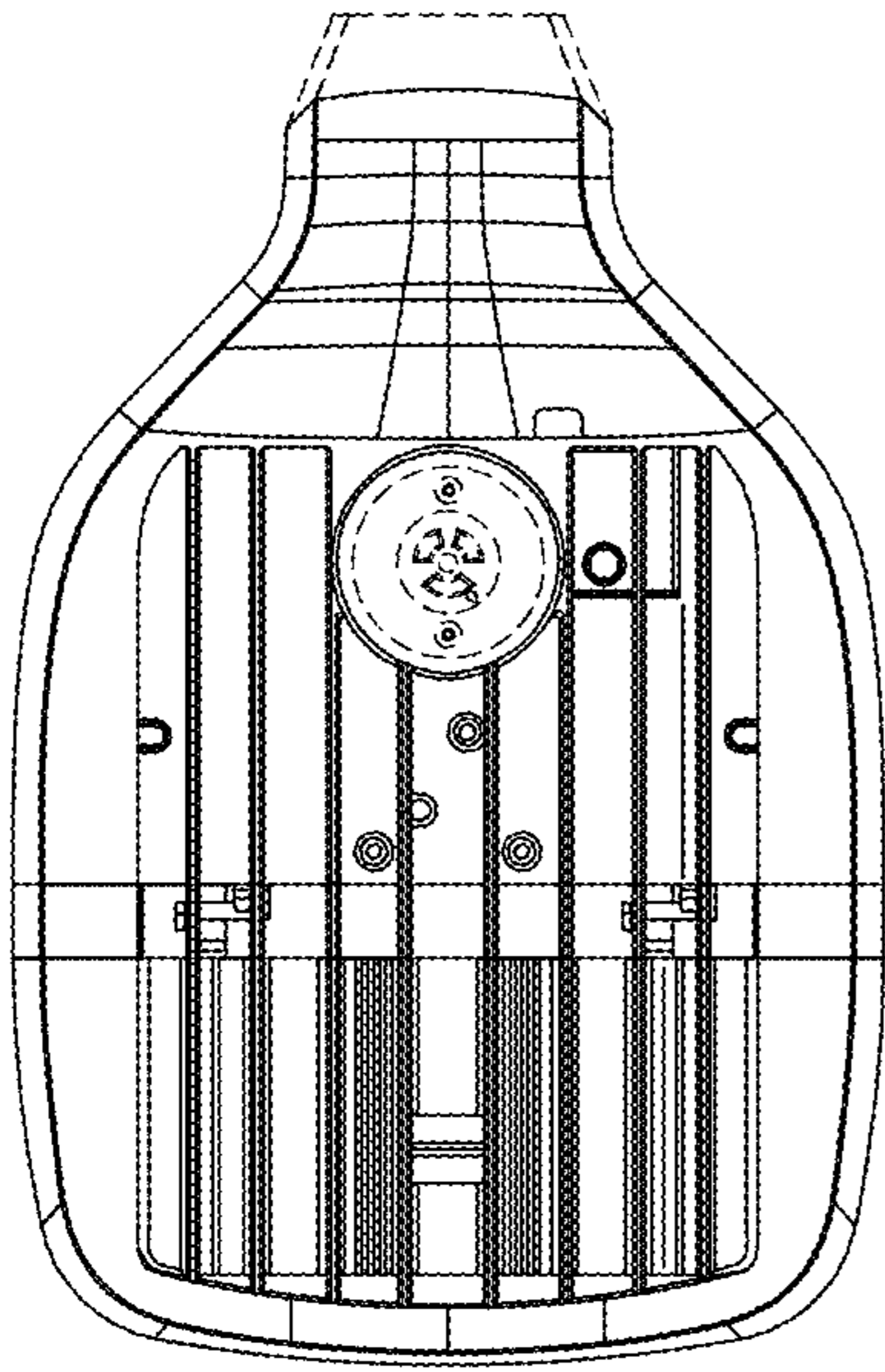


FIG. 22

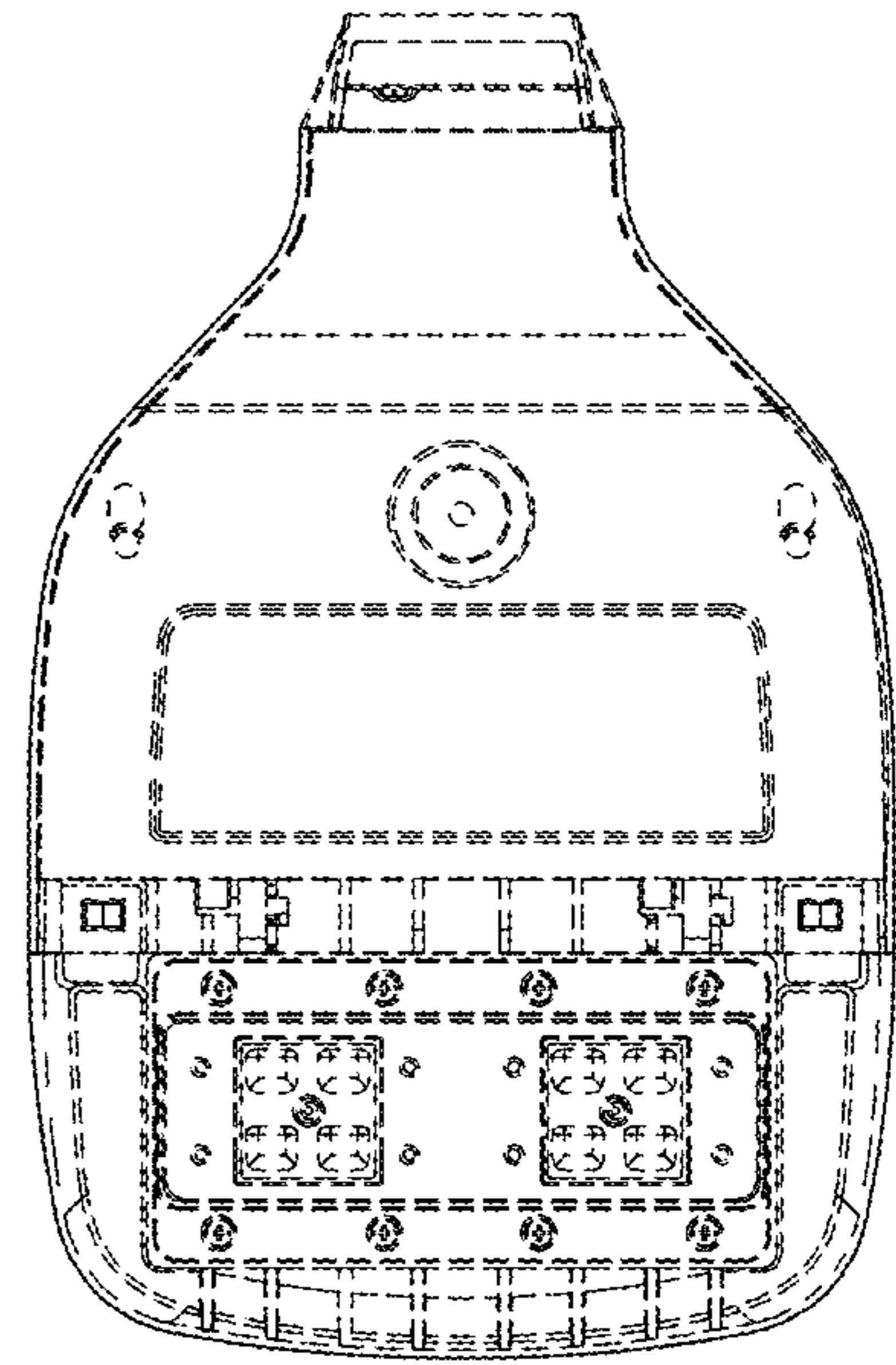


FIG. 23

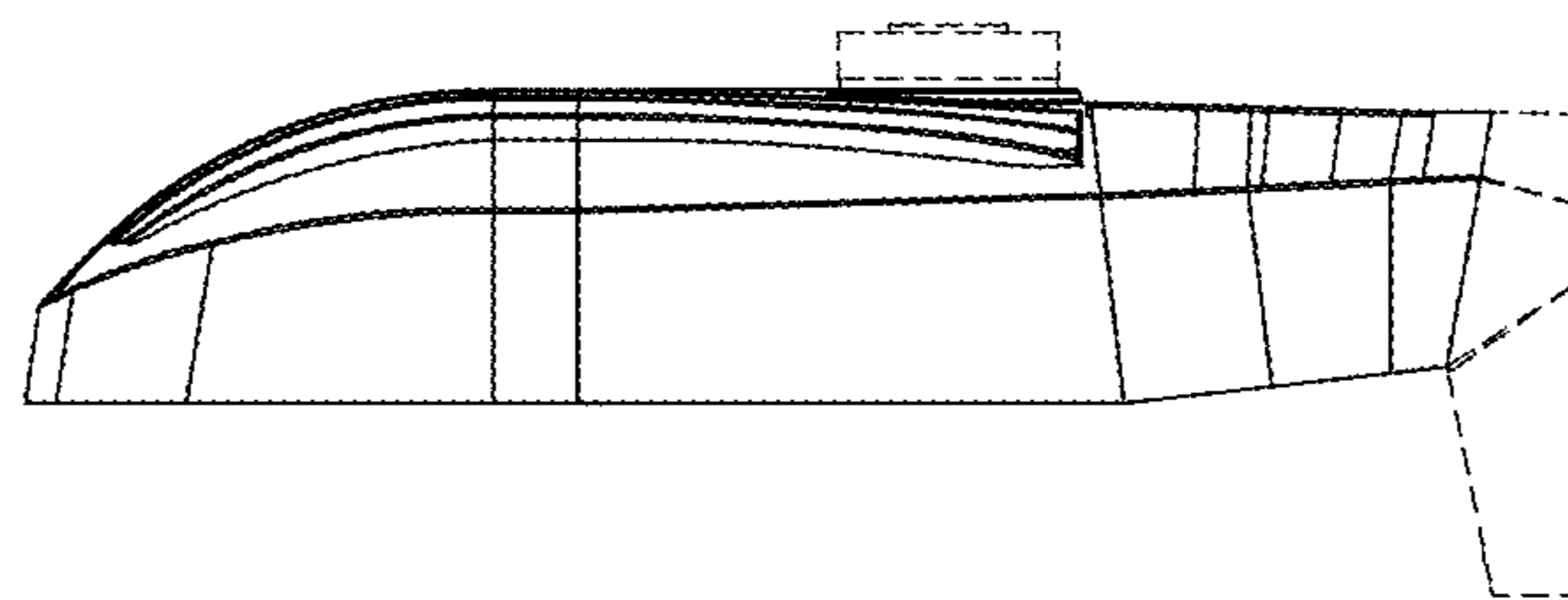


FIG. 24