



US00D945041S

(12) **United States Design Patent** (10) **Patent No.:** **US D945,041 S**
Zhang (45) **Date of Patent:** **** Mar. 1, 2022**

(54) **SOLAR FOLDING GROUND LIGHT**

(71) Applicant: **Shenzhen Yuyiyuan Technology Co., Ltd., Shenzhen (CN)**

(72) Inventor: **Donglin Zhang, Guangdong (CN)**

(**) Term: **15 Years**

(21) Appl. No.: **29/712,281**

(22) Filed: **Nov. 7, 2019**

(51) **LOC (13) Cl.** **26-05**

(52) **U.S. Cl.**
USPC **D26/67; D26/40**

(58) **Field of Classification Search**
USPC D26/24, 40, 44, 60, 61, 63-70, 84-87,
D26/92, 93, 104-106, 108, 110, 121, 128,
D26/137
CPC F21L 13/00; F21S 9/00; F21S 9/02; F21S
9/03; F21S 9/035; F21S 9/037; F21S
10/00; F21S 10/005; F21S 10/007; F21S
8/08; F21S 8/081; F21S 8/083; F21S
8/086; F21S 8/088
See application file for complete search history.

(56) **References Cited**

U.S. PATENT DOCUMENTS

| | | | | |
|--------------|---------|------------|-------|---------------------|
| D465,296 S * | 11/2002 | DiPasquale | | D26/67 |
| D550,891 S * | 9/2007 | Miranda | | D26/67 |
| D646,833 S * | 10/2011 | Chen | | D26/85 |
| D663,063 S * | 7/2012 | Yang | | D26/67 |
| D800,954 S * | 10/2017 | Hsu | | D26/112 |
| D850,702 S * | 6/2019 | Yang | | D26/110 |
| D863,655 S * | 10/2019 | Huang | | D26/110 |
| D888,306 S * | 6/2020 | Ho | | D26/41 |
| D931,511 S * | 9/2021 | Yan | | F21L 4/00 D26/40 |

| | | | | |
|-------------------|---------|--------|-------|------------------------|
| 11,118,762 B1 * | 9/2021 | Zhang | | F21V 17/007 |
| D935,081 S * | 11/2021 | Peng | | D26/67 |
| 2007/0285023 A1 * | 12/2007 | Cooper | | F21S 9/037 315/149 |
| 2015/0267901 A1 * | 9/2015 | Cohen | | F21V 17/007 362/282 |

OTHER PUBLICATIONS

4pcs Solar Path Street Light (available online) Retrieved from the internet Oct. 27, 2021 from URL: https://www.banggood.com/4pcs-Solar-Path-Street-Light-LED-Garden-Pathway-Lights-Solar-Powered-Auto-On-or-Off-Landscape-Lighting-Security-Lights.*
Solar Lamp LED (available online) Retrieved from the internet Oct. 27, 2021 from URL: https://shopee.com.my/Solar-Lamp-LED-Hollow-Square-Outdoor-Plug-in-Lamp-Landscape-Lamp-Path-Light-Waterproof-Courtyard-Lawn-Lamp-Garden-lamp.*

* cited by examiner

Primary Examiner — Kevin K Rudzinski

Assistant Examiner — Richard Kearney

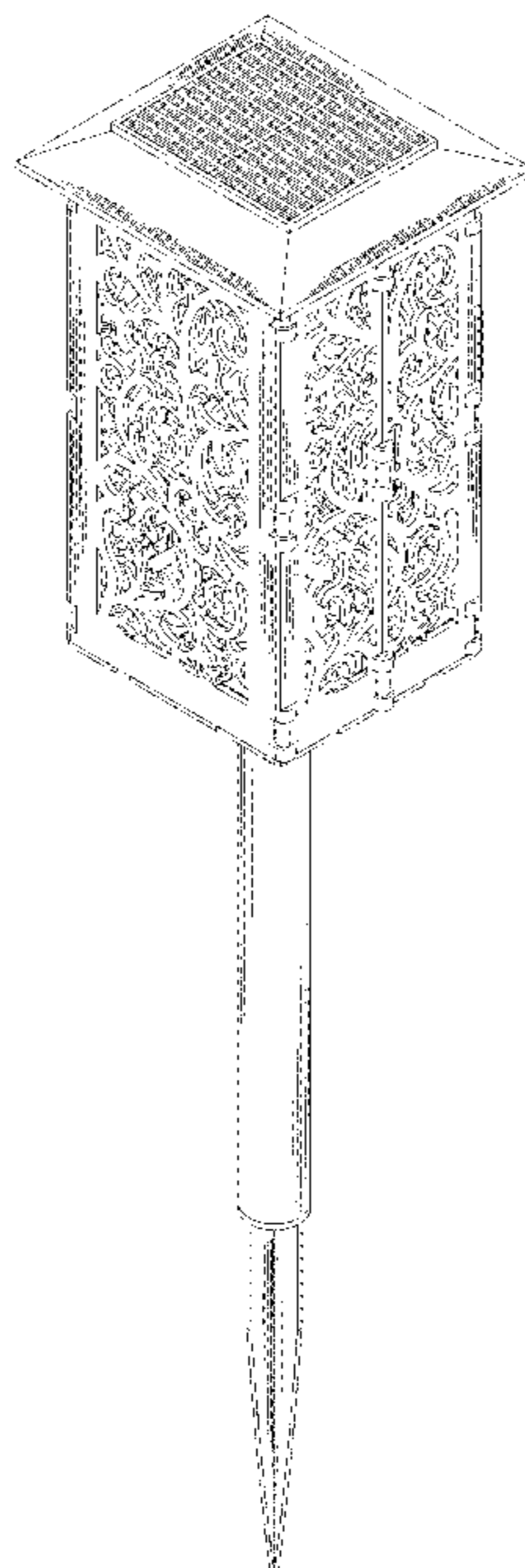
(57) **CLAIM**

The ornamental design for a solar folding ground light, as shown and described.

DESCRIPTION

FIG. 1 is a perspective view of a solar folding ground light showing my new design;
FIG. 2 is a front side elevational view thereof;
FIG. 3 is a right side elevational view thereof;
FIG. 4 is a left side elevational view thereof;
FIG. 5 is a rear side elevational view thereof;
FIG. 6 is a top plan view thereof; and,
FIG. 7 is a bottom plan view thereof.
The broken lines shown in the drawings illustrate portions of the article and form no part of the claimed design.

1 Claim, 7 Drawing Sheets



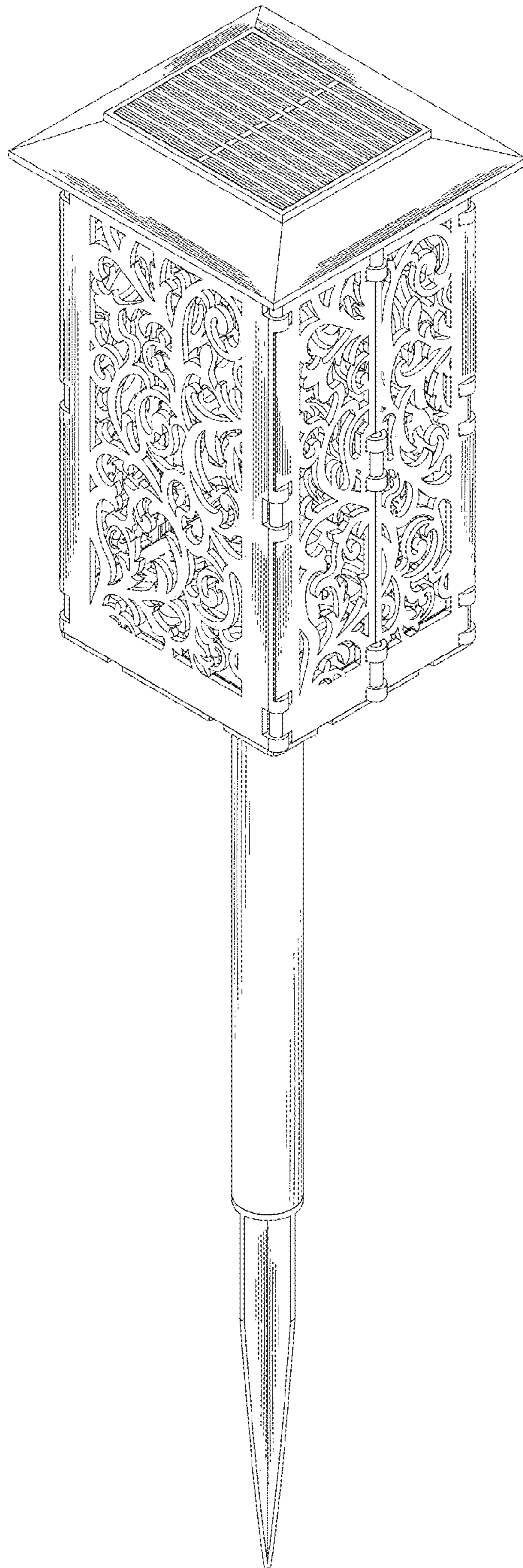


FIG. 1

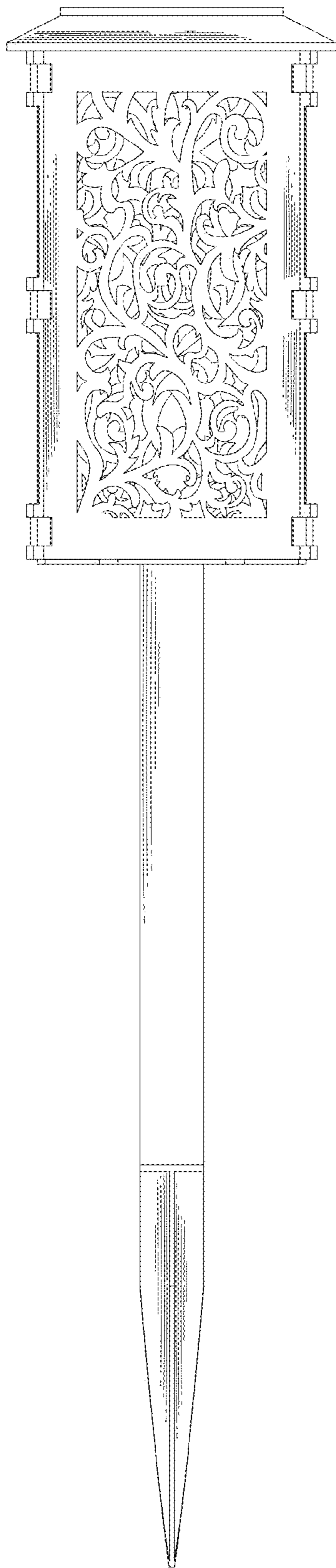


FIG. 2

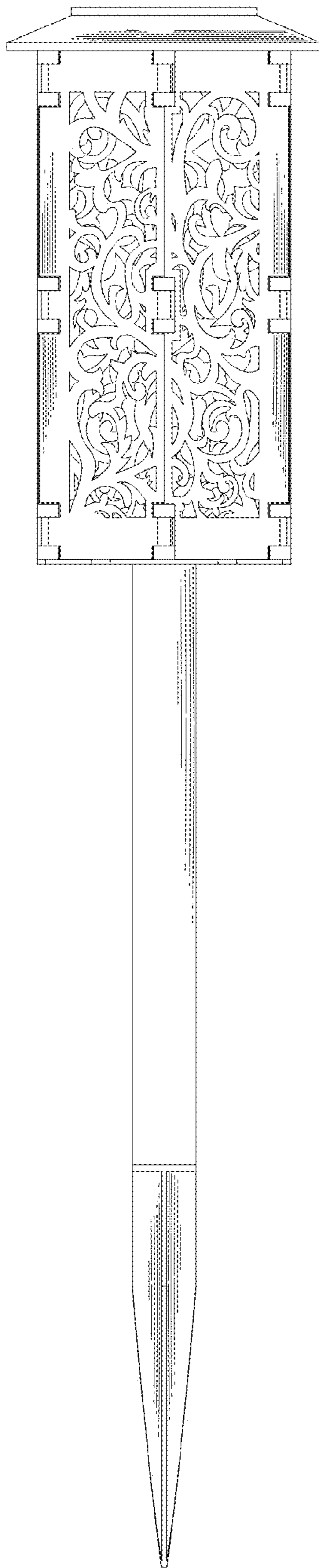


FIG. 3

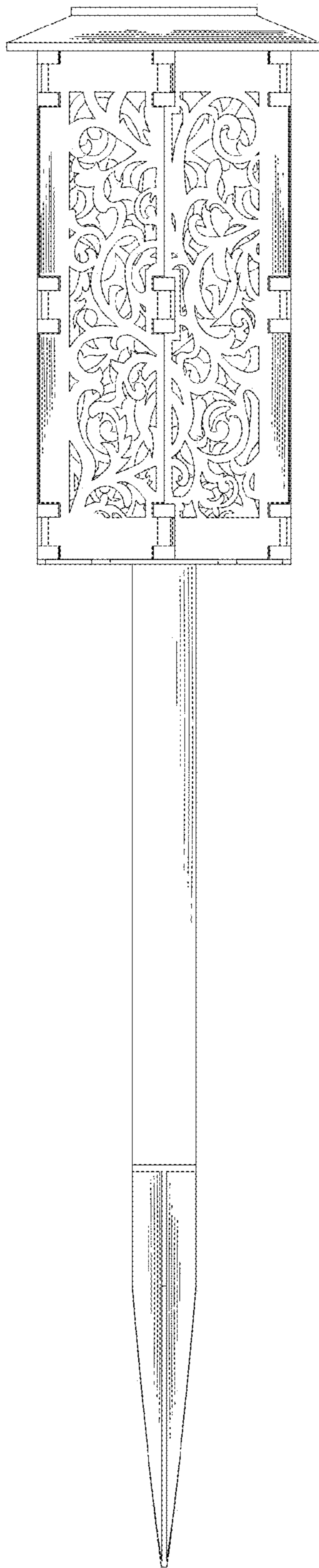


FIG. 4

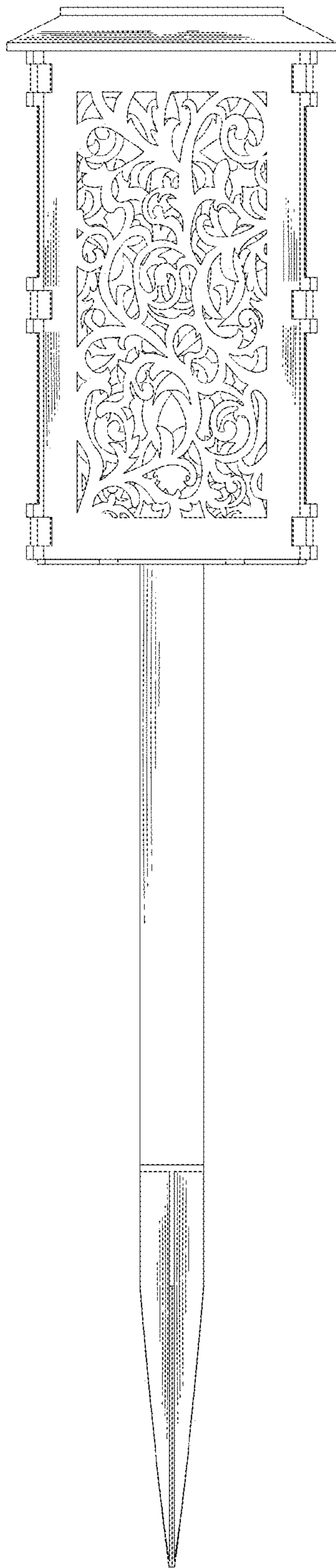


FIG. 5

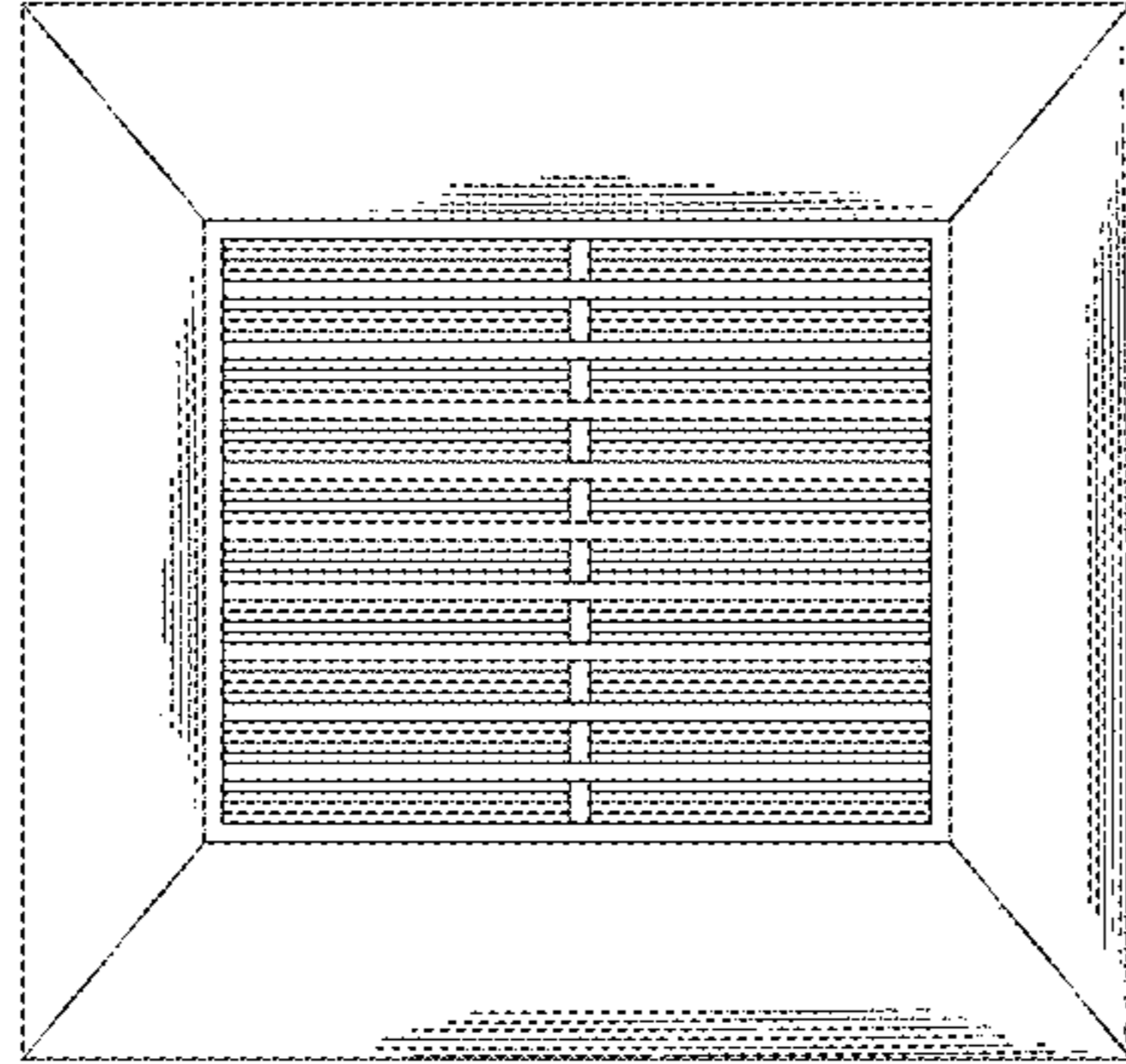


FIG. 6

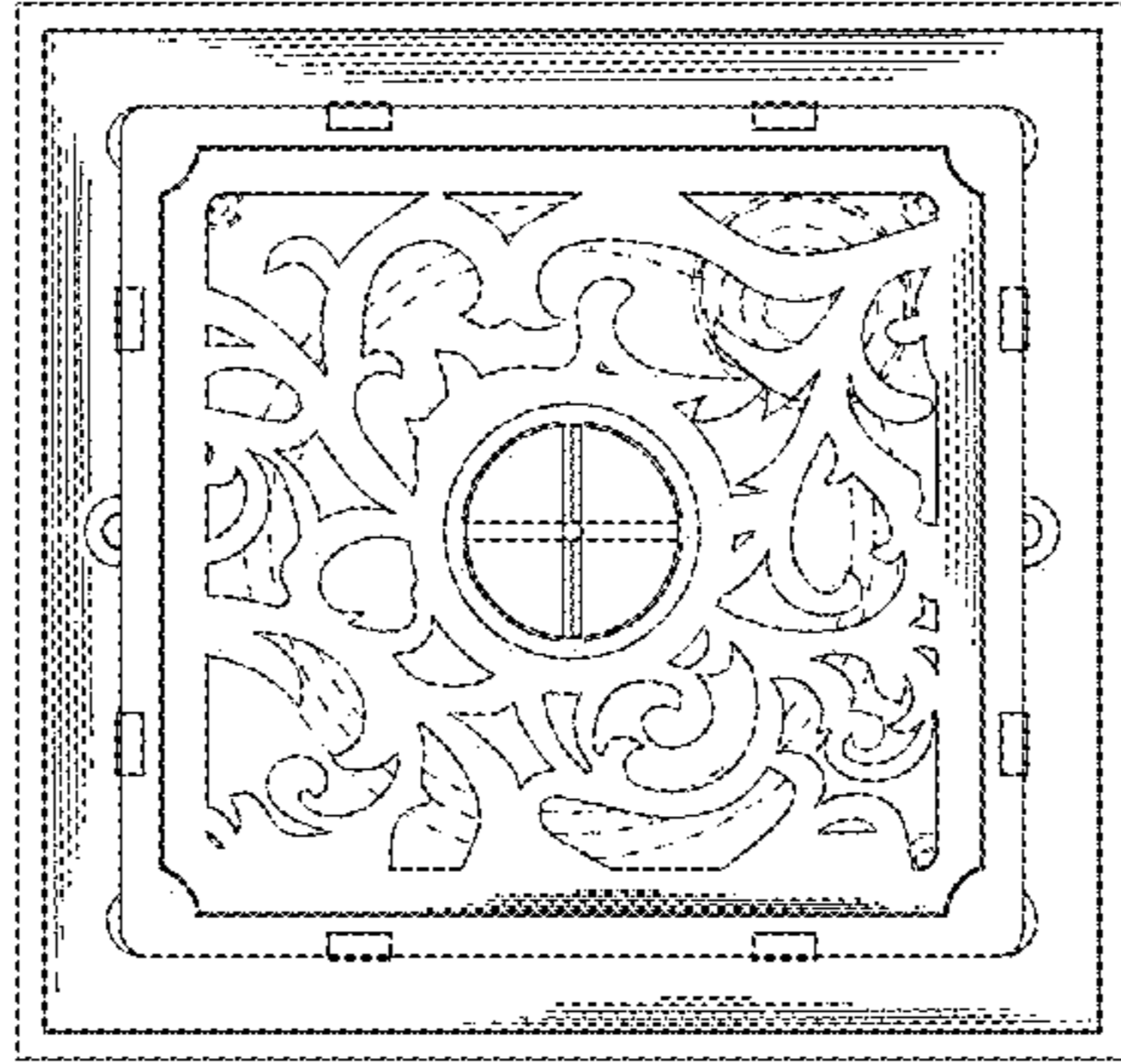


FIG. 7