



US00D945040S

(12) **United States Design Patent**
Schuss

(10) **Patent No.:** **US D945,040 S**
(45) **Date of Patent:** **** Mar. 1, 2022**

(54) **LAMP**

(71) Applicant: **A. Schweizer GmbH Optische Fabrik,**
Forchheim (DE)

(72) Inventor: **Werner Schuss,** Nuremberg (DE)

(**) Term: **15 Years**

(21) Appl. No.: **35/509,740**

(22) Filed: **Jun. 6, 2020**

(80) **Hague Agreement Data**

Int. Filing Date: **Jun. 6, 2020**

Int. Reg. No.: **DM/208923**

Int. Reg. Date: **Jun. 6, 2020**

Int. Reg. Pub. Date: **Jul. 3, 2020**

(51) **LOC (13) Cl.** **26-05**

(52) **U.S. Cl.**
USPC **D26/65**

(58) **Field of Classification Search**
USPC D26/61, 63, 65, 106–112
CPC F21V 21/14; F21V 15/01; F21V 14/02;
F21V 21/30; F21V 21/00; F21V 14/00;
F21S 8/00; F21S 8/024; F21S 8/026;
F21S 8/031; F21S 8/033; F21S
8/035–037; F21S 8/04; F21S 8/043; F21S
8/063

See application file for complete search history.

(56) **References Cited**

U.S. PATENT DOCUMENTS

D428,179 S *	7/2000	Huang	D26/65
D435,926 S *	1/2001	Huo-Tu	D26/63
D563,583 S *	3/2008	Iai	D26/65
D600,844 S *	9/2009	Thomson	D26/65
D623,333 S *	9/2010	Huang	D26/65
D623,788 S *	9/2010	Huang	D26/65
D699,242 S *	2/2014	Hu	D14/423
D715,300 S *	10/2014	Shen	D14/423

D759,282 S *	6/2016	Lee	D26/65
D765,900 S *	9/2016	Oh	D26/63
D803,450 S *	11/2017	Xie	D26/63
D804,072 S *	11/2017	Xu	D26/63
D832,488 S *	10/2018	Yu	D26/107
D835,318 S *	12/2018	Kaluza	D26/65
D850,686 S *	6/2019	Wang	D26/65
D873,463 S *	1/2020	Wang	D26/65
D875,985 S *	2/2020	Yi	D26/65
D876,699 S *	2/2020	Tang	D26/65

(Continued)

Primary Examiner — Natasha Vujcic

(57) **CLAIM**

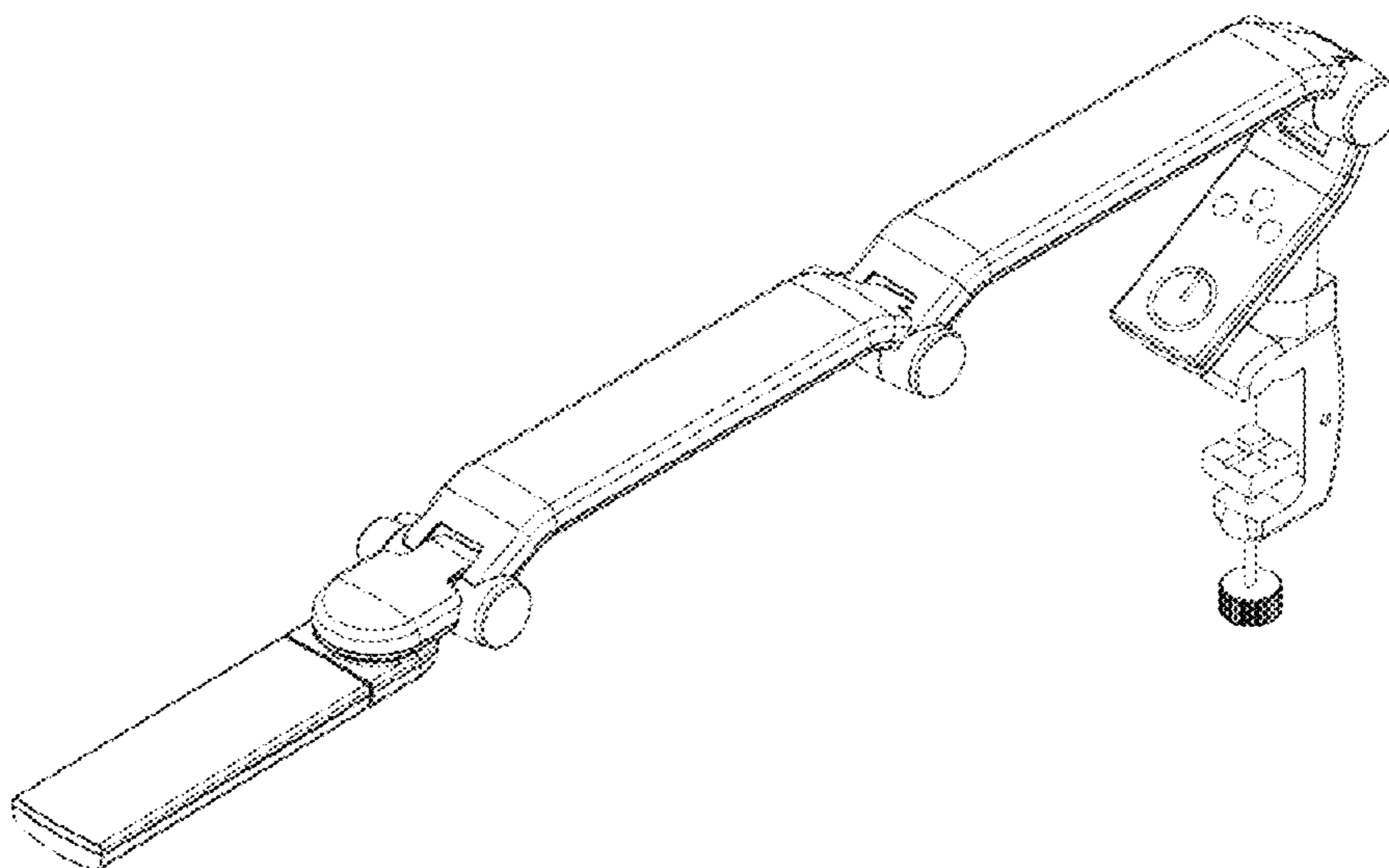
The ornamental design for a lamp, as shown and described.

DESCRIPTION

The patent or application file contains at least one drawing executed in color. Copies of this patent or patent application publication with color drawing(s) will be provided by the Office upon request and payment of the necessary fee.

- 1.-5. Lamp
- 1.1 is a side view;
- 1.2 is a perspective view;
- 2.1 is a side view;
- 2.2 is a side view in a closed position;
- 2.3 is a perspective view in a closed position;
- 2.4 is a perspective view;
- 3.1 is a perspective view;
- 3.2 is a perspective view;
- 3.3 is a perspective view in a closed position;
- 3.4 is a side view;
- 3.5 is a side view in a closed position;
- 3.6 is a top view;
- 4.1 is a perspective view;
- 4.2 is a perspective view in a closed position;
- 5.1 is a side view;
- 5.2 is a perspective view;
- 5.3 is a perspective view.

1 Claim, 17 Drawing Sheets
(3 of 17 Drawing Sheet(s) Filed in Color)



(56)

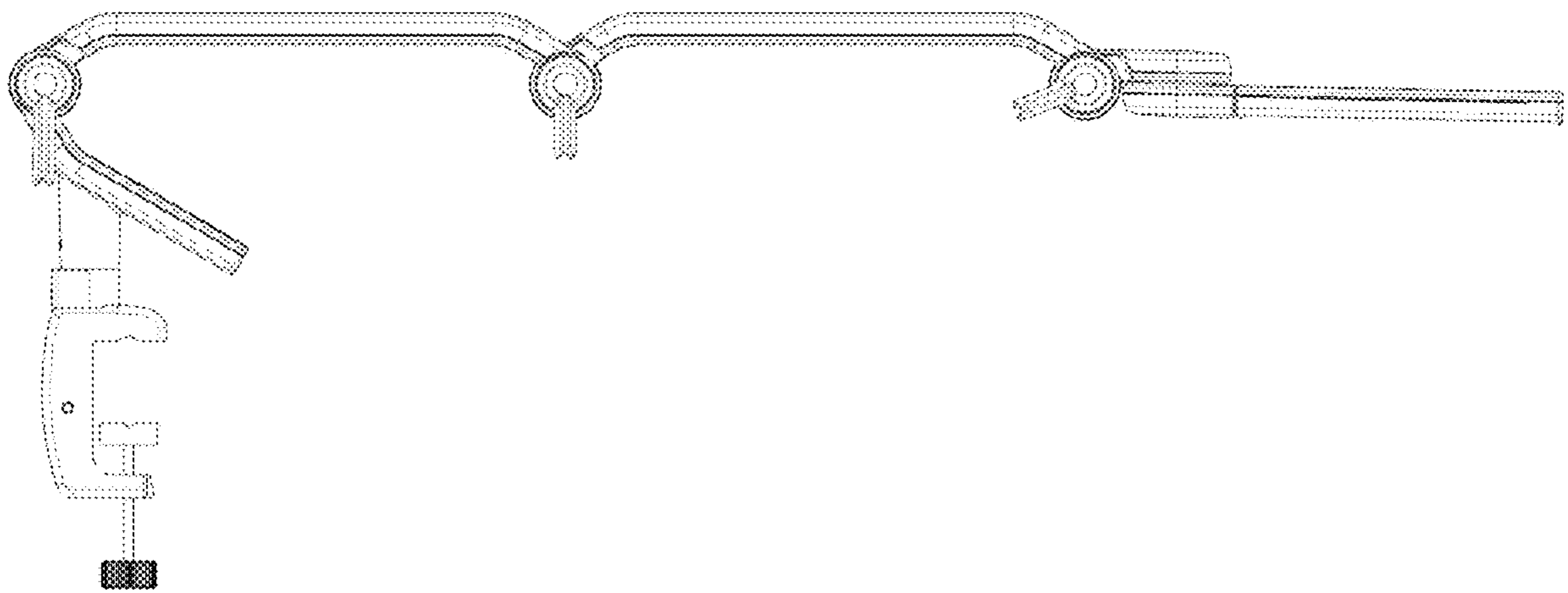
References Cited

U.S. PATENT DOCUMENTS

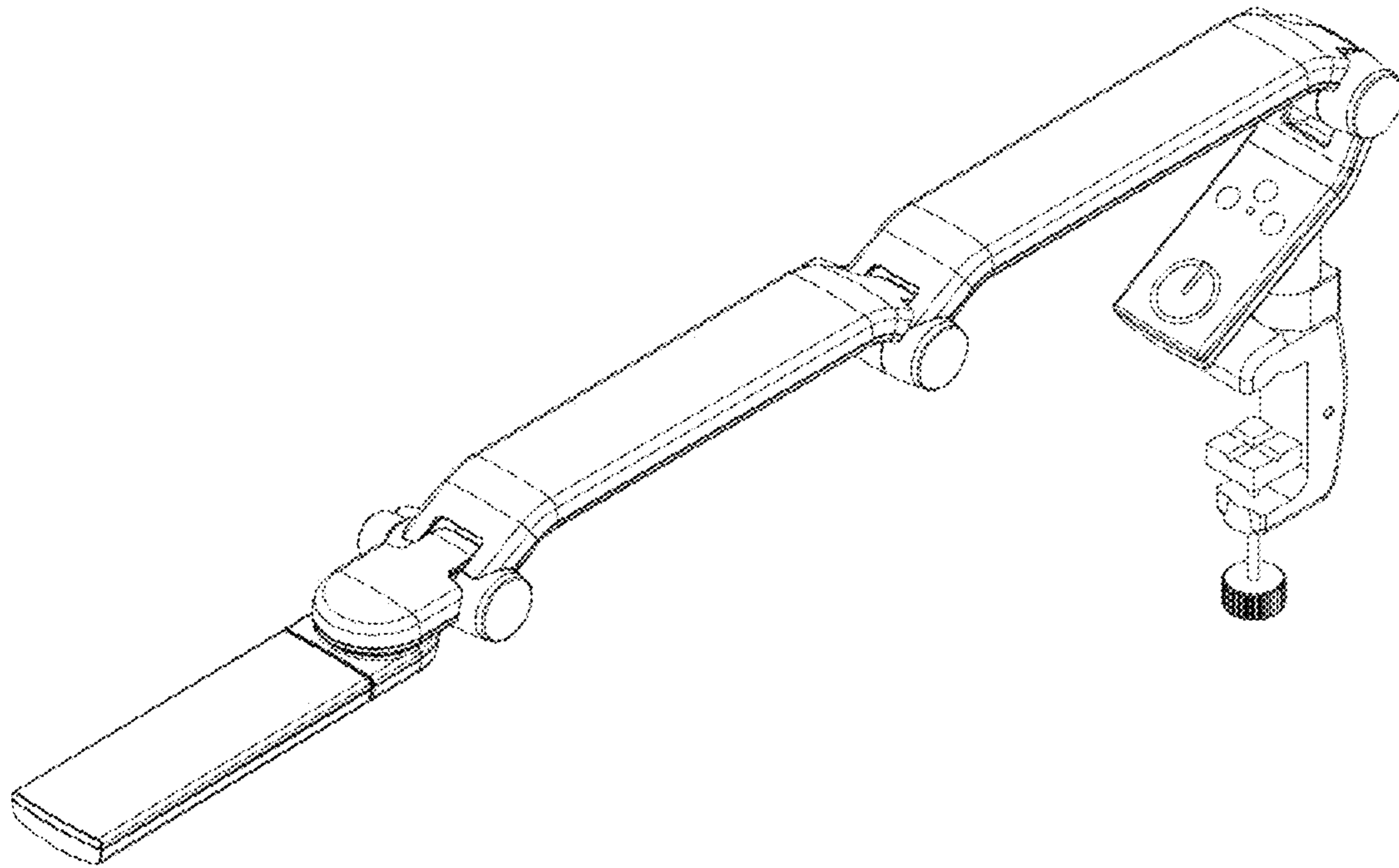
D907,838 S * 1/2021 Hood D26/107
D918,449 S * 5/2021 Raghunathan D26/51

* cited by examiner

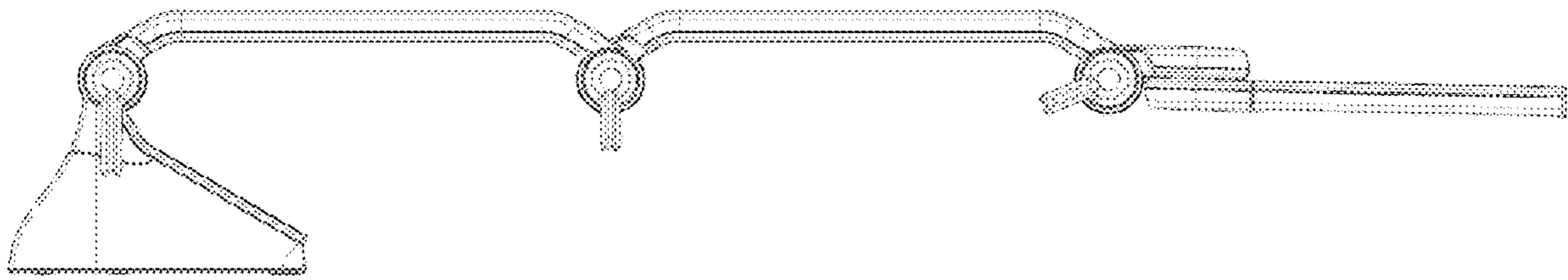
1.1



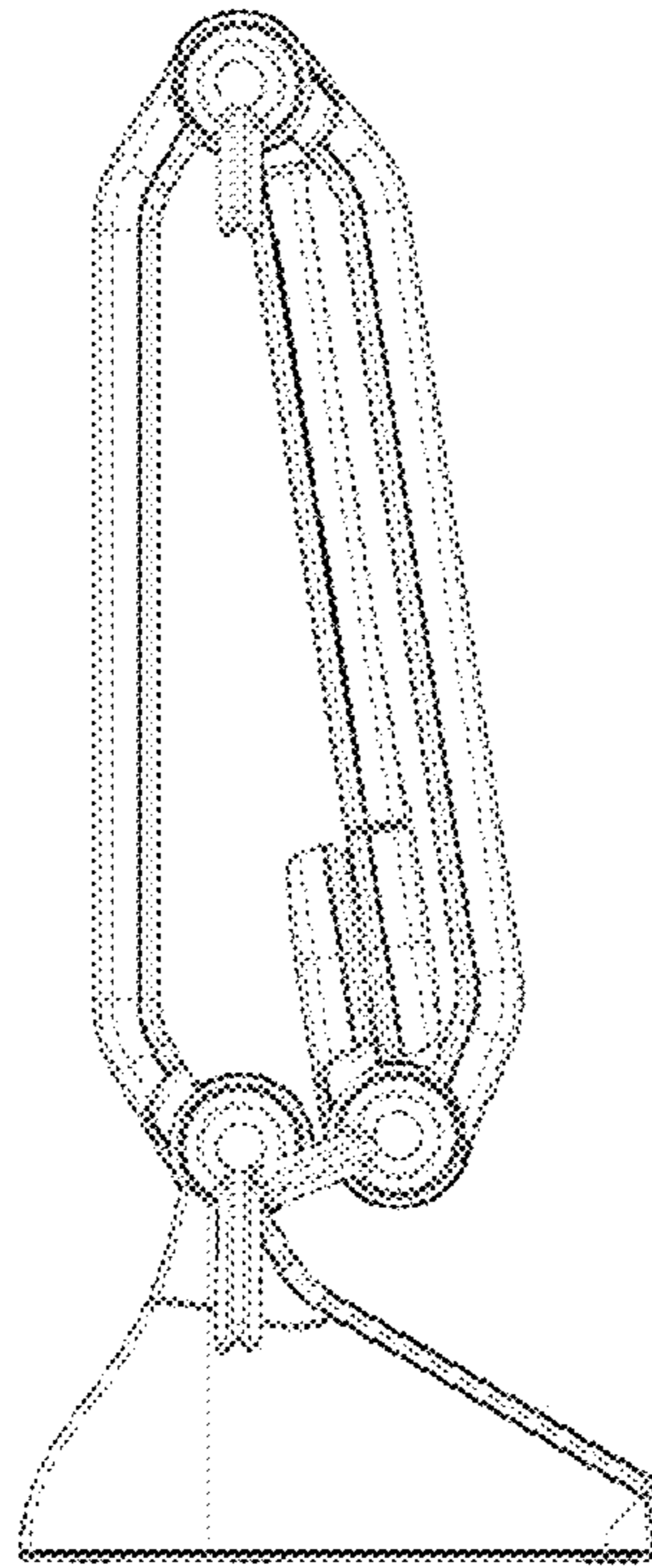
1.2



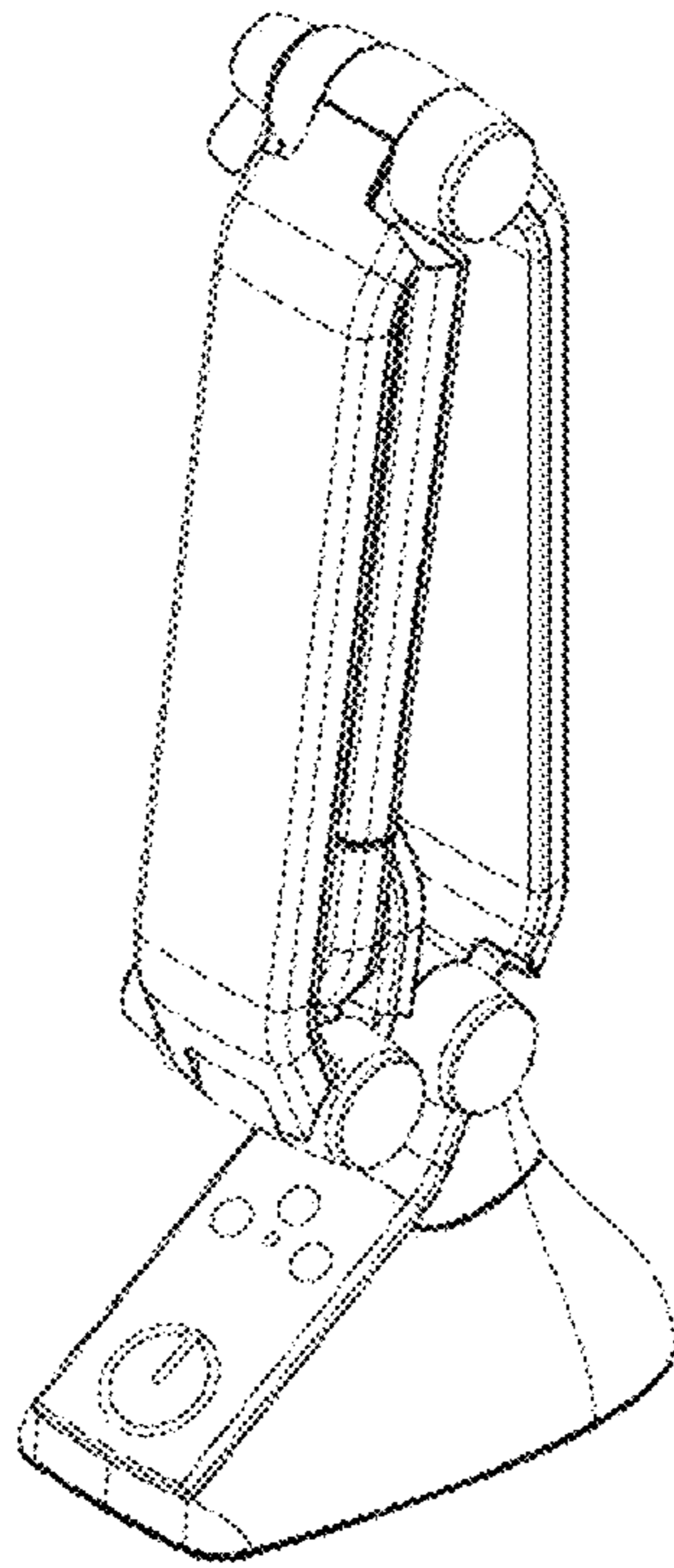
2.1



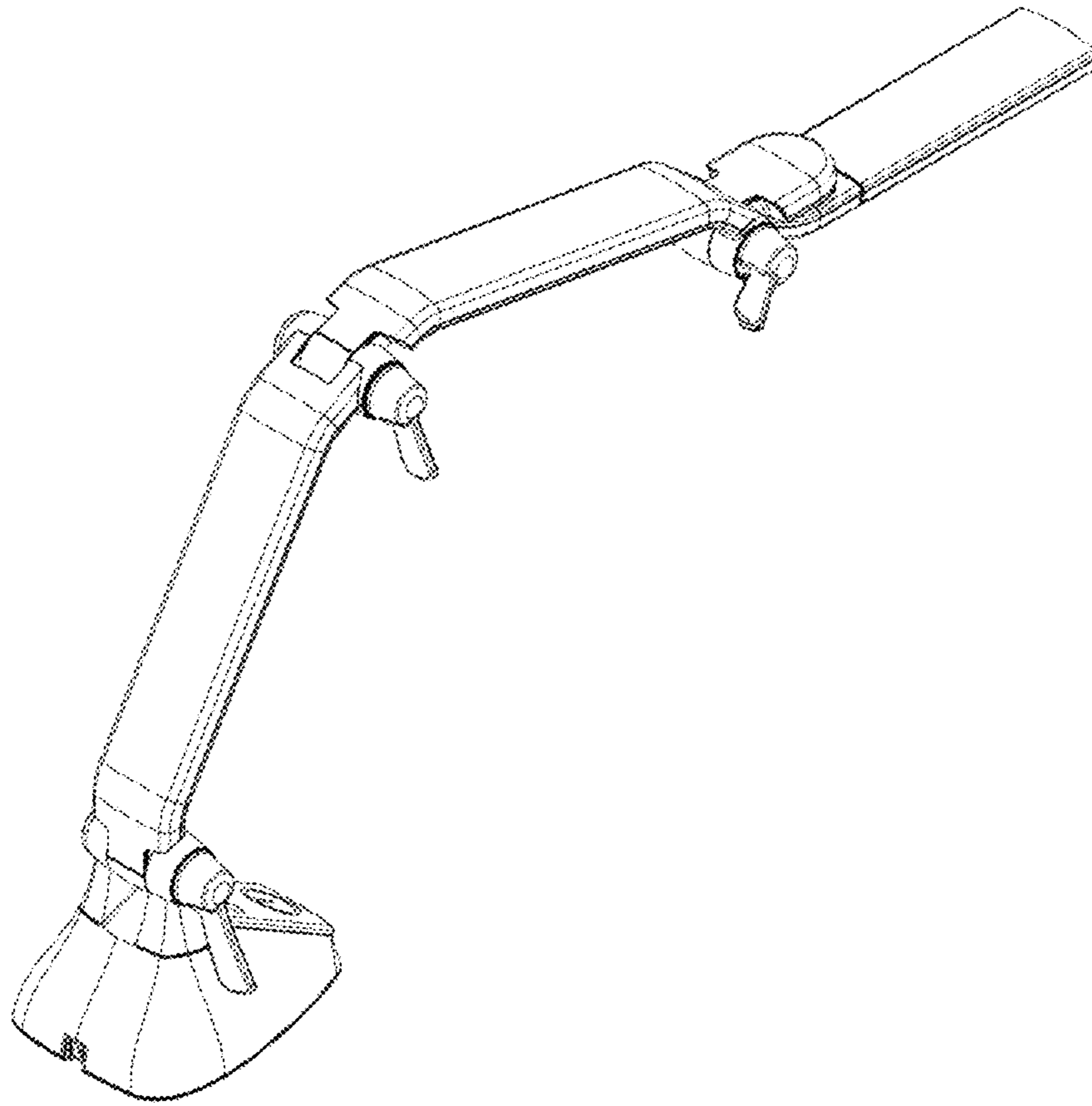
2.2



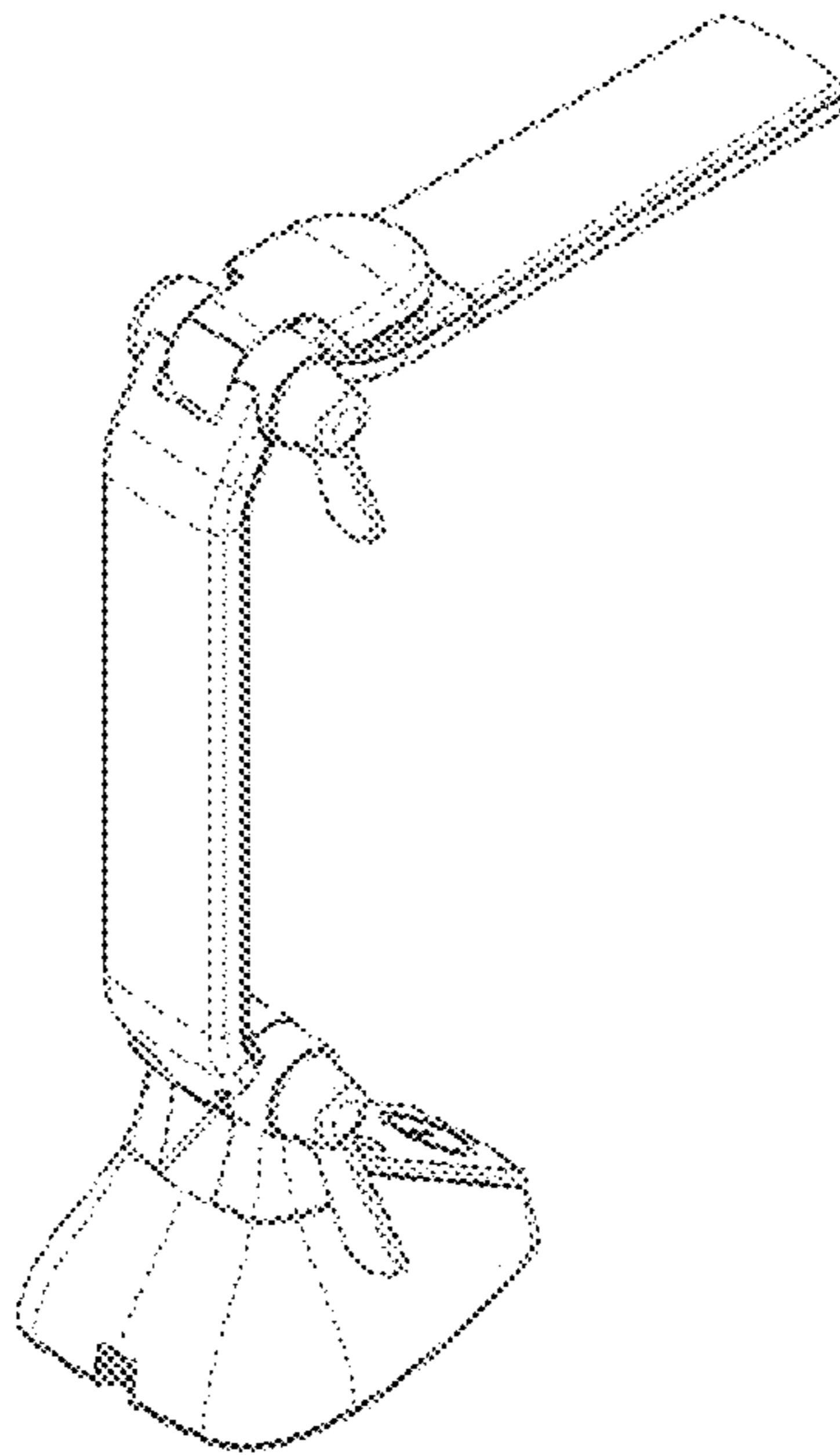
2.3



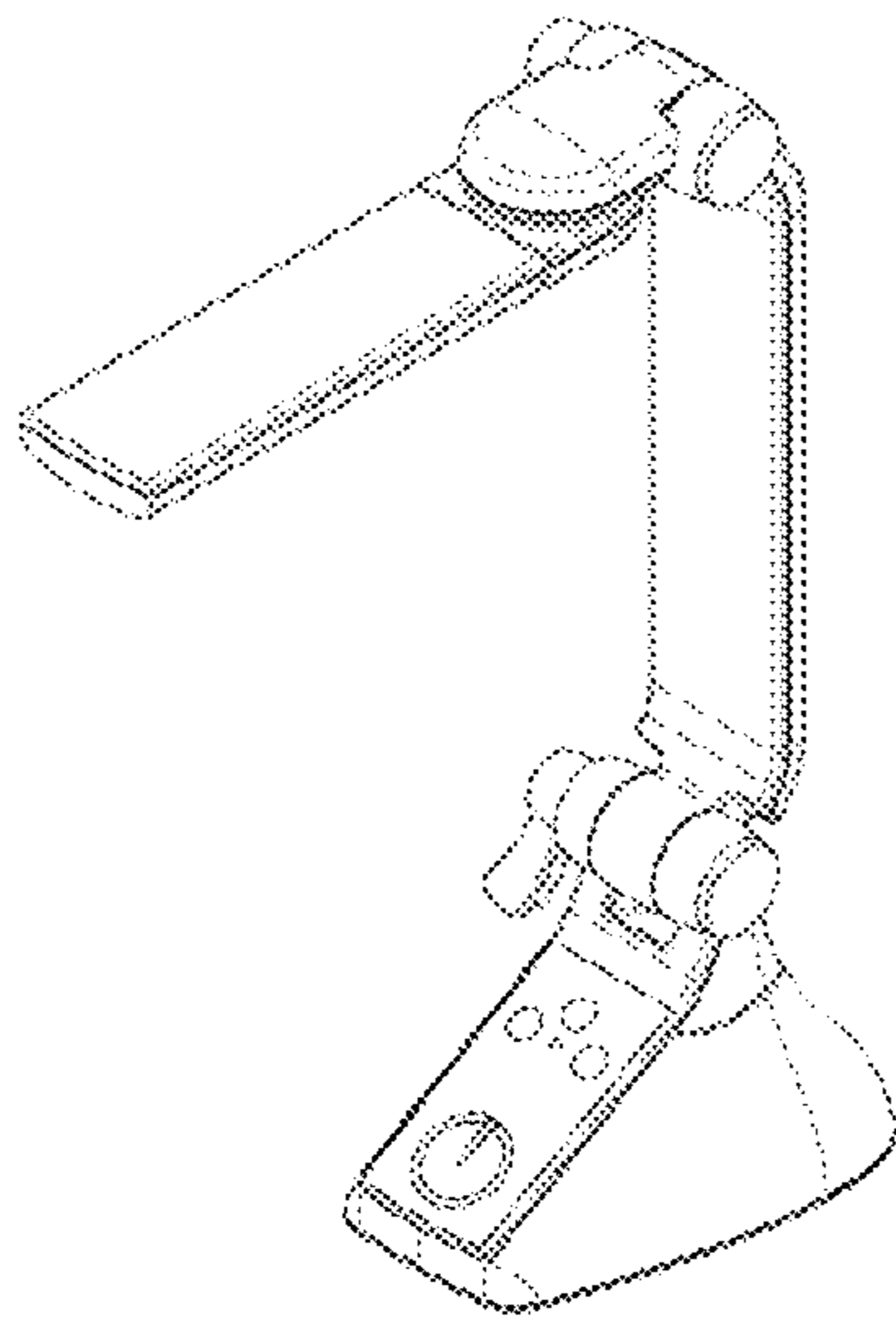
2.4



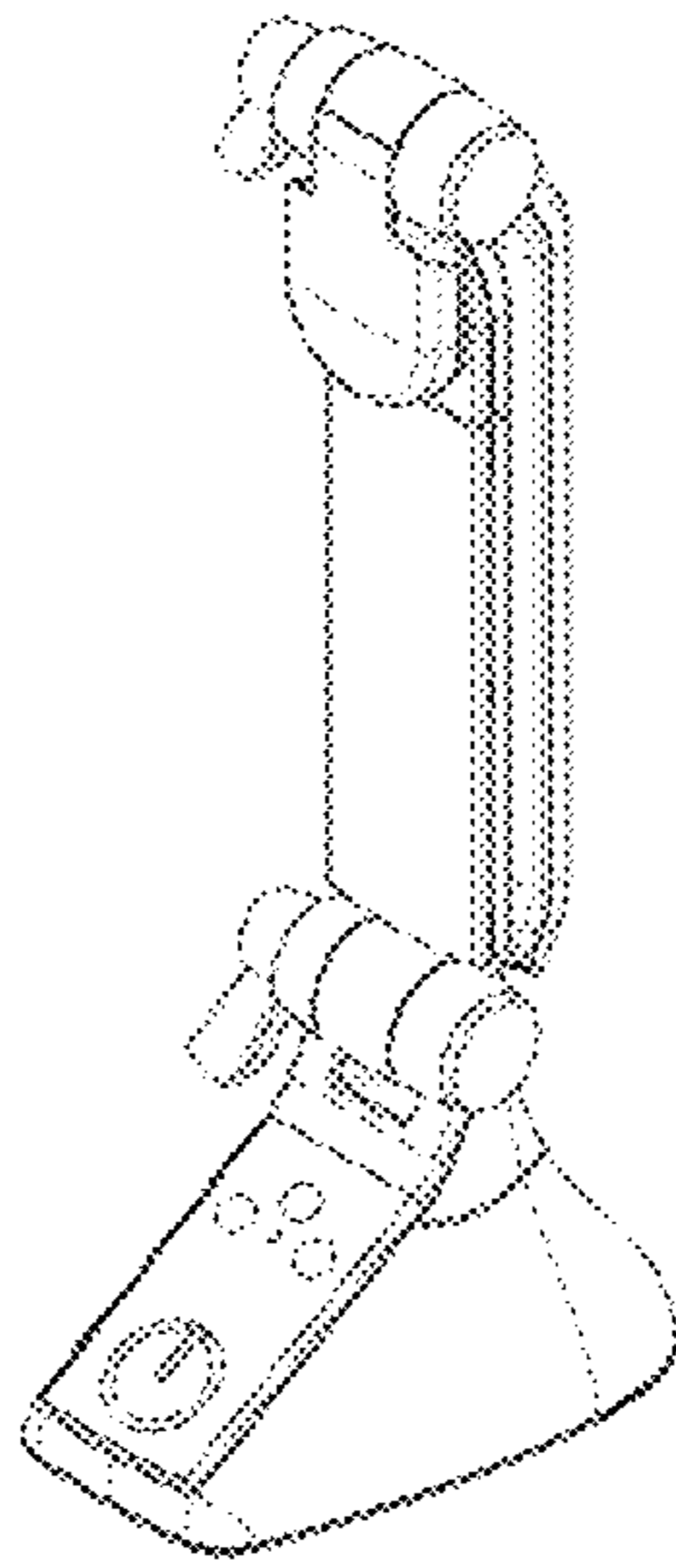
3.1



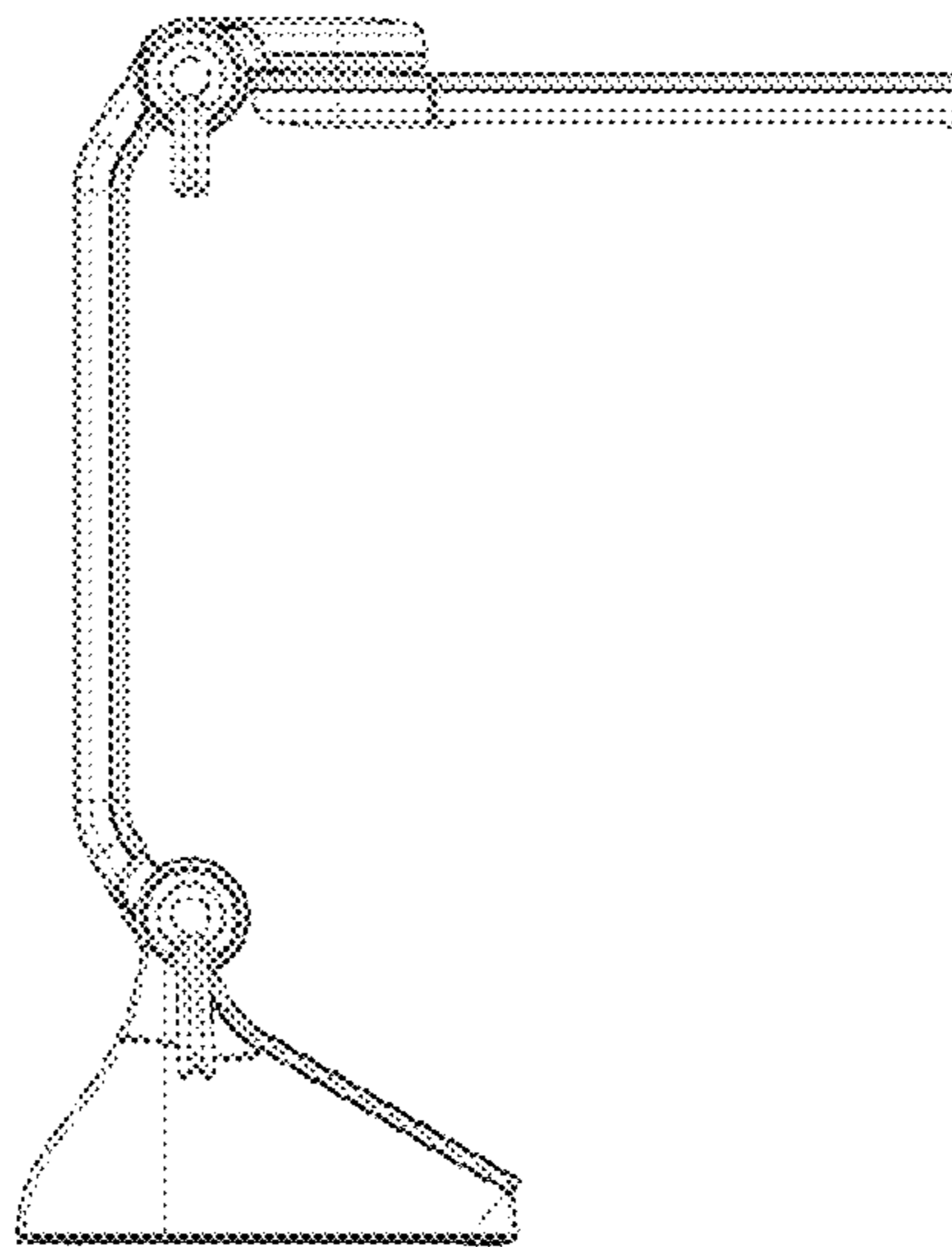
3.2



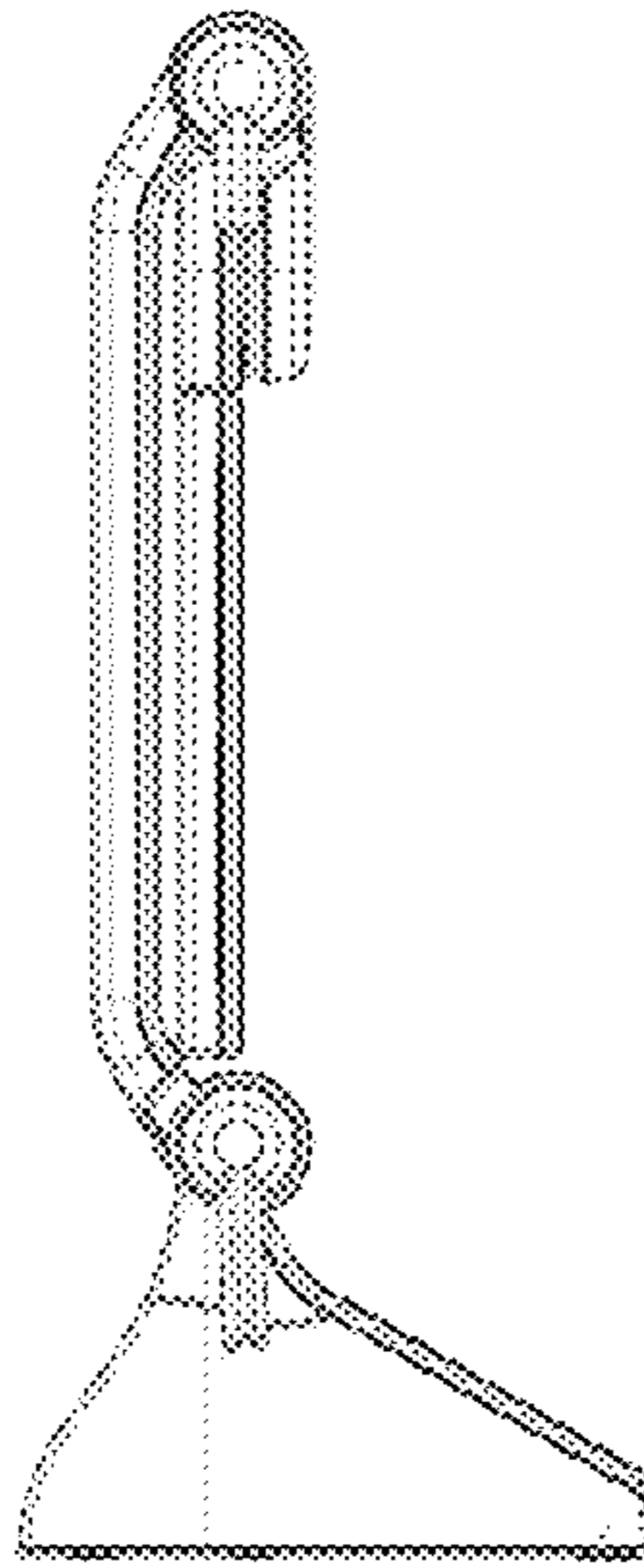
3.3



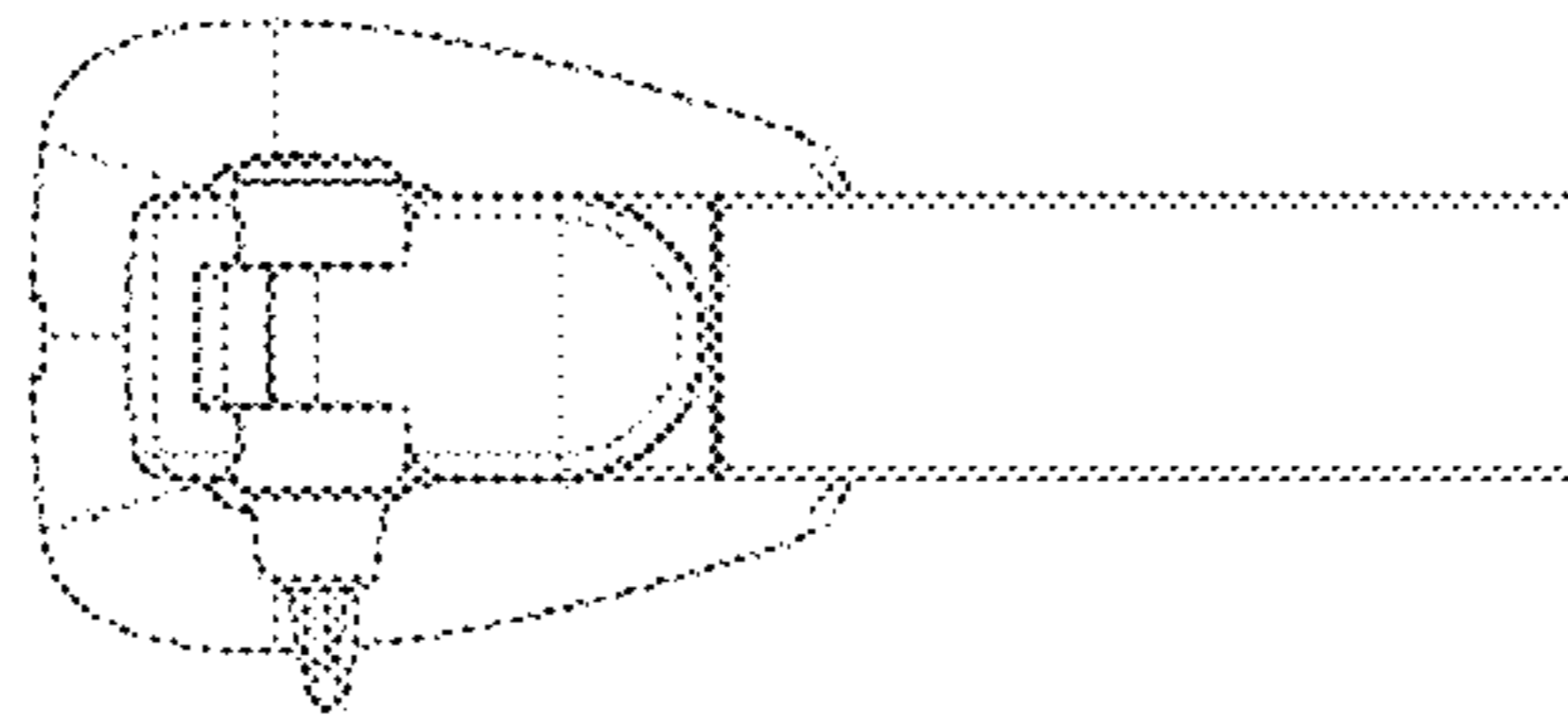
3.4



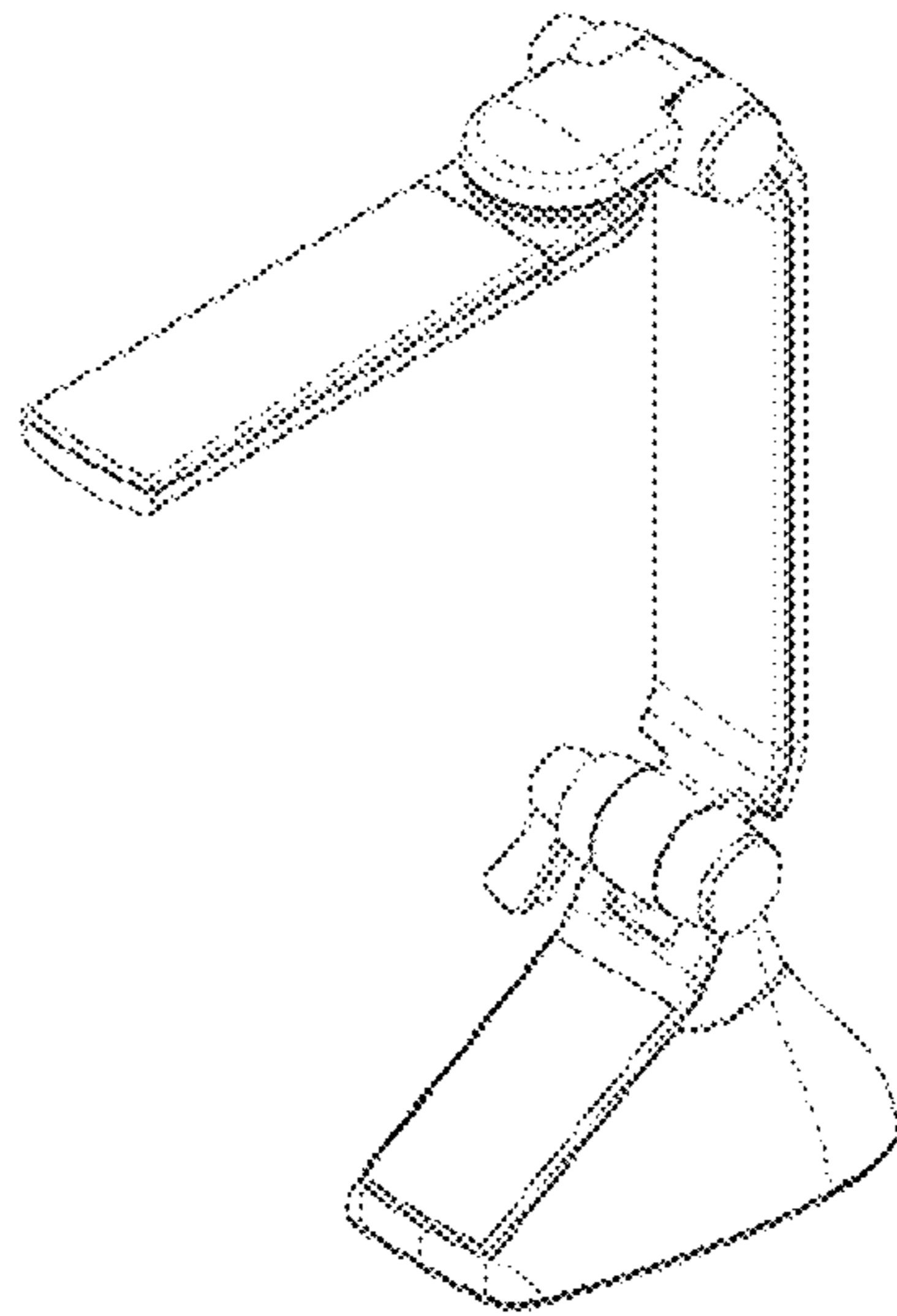
3.5



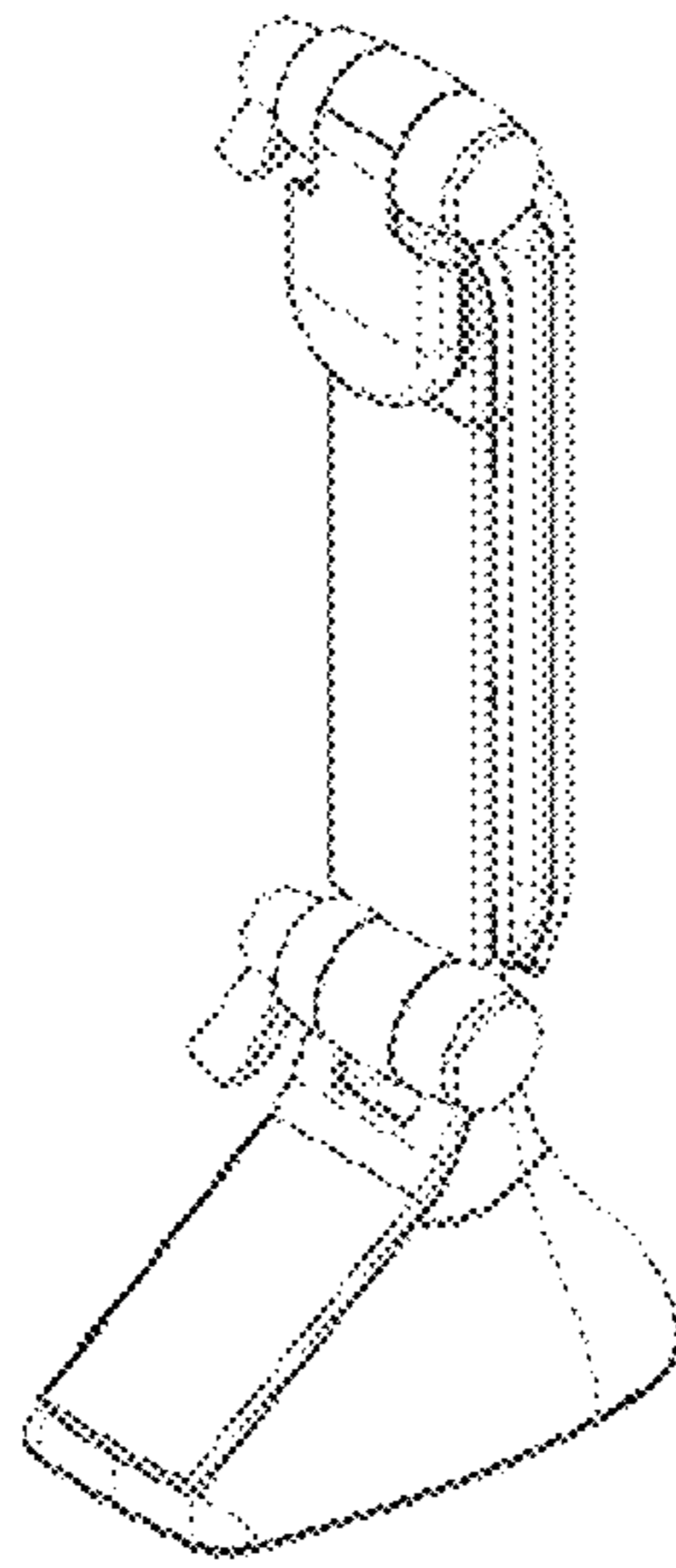
3.6



4.1



4.2



5.1



5.2



5.3

